

Specification Guide

FALL 2020



TIMBERLAKE
CABINETS



Portfolio Select & Portfolio Series

Here is your guide to the latest product additions and enhancements we've made to our Portfolio Select and Portfolio Series line of fine cabinets. If you would like further clarification about any of our products or processes, please call Timberlake Customer Care at 800-967-9674.

Parts Directory

The Parts Directory is included in the back of this guide and is also available online at www.timberlake.com/parts-directory.

Continuous Improvement

In keeping with our policy of continuous product refinement, Timberlake reserves the right to change specifications in design and materials as conditions require.

What's New?

The color green is used to highlight items that are newly available or modified in the Timberlake product offering. All of these items are color-coded green for easy identification and include:

September 2020

New Portfolio Door Styles

- Maddox, a mitered recessed panel door, with a choice of drawer fronts, is available in all Painted finishes

New Finishes

- Maple Slate is available for these collections: Charleston, New Haven, Sierra Vista, Windsor, Kinsdale, Lausanne, Scottsdale, Sonoma & Tahoe
- Duraform Espresso is available for these collections: Downing, Barnett, Kinsdale, Lausanne & Sonoma

Expanded Finishes

- Duraform Linen is now available for these collections: Kinsdale & Sonoma
- Duraform Stone is now available for these collections: Kinsdale & Sonoma

New Construction Options

- Full Depth Shelf Option (FDS) converts a half-depth shelf to a full-depth shelf and is available for most base cabinets
- Void Top Drawer Option (VTD) removes the top drawer system and replaces it with a false panel and is available for most Drawer Base, Base with Sliding Shelves, Base with Base Pot & Pan Organizer and Peninsula Base cabinets

Cabinet Width Expansion

- Standard Wall - W3921, W3921 SD
- Refrigerator Wall - W3921 X 24DP, W3921 X 24DP SD
- Deep Sink Base - DSB33 BUTT, DSB39
- Vanity Sink Base - VSB39, VSB3934H
- Vanity Sink Base with Drawers - VAN39, VAN3934H
- Vanity Combo Sink Base - VSDB3934H BK
- Vanity Sink Front - VSF39

Vanity Door Height Change

- Standard Height Vanity (31½" high) doors changed from 18" high to 21" high (refer to the Parts Directory for dimensions)

New Accessories

- 15" Deep Glass Shelf Kits - GSK12-15, GSK15-15, GSK18-15, GSK21-15, GSK24-15, GSK27-15, GSK30-15, GSK33-15 and GSK36-15

Expanded Decorative Hardware

- Matte Black finish is now available for Sculpted Pull, Sculpted Knob, Square Pull, Square Knob, T-Bar Knob and select T-Bar Pulls
- Modern Brushed Gold finish is now available for Sculpted Pull, Sculpted Knob, Rectangle Pull, Rectangle Knob, Square Pull, Square Knob, T-Bar Knob and select T-Bar Pulls

Discontinuances

- Clifton collection
- Colebrook Arch
- Windsor Arch
- Maple Natural
- Oak Wood Species (Honey & Tawny finishes)

Door Styles

Portfolio Select® Series Collections	4
Features, Options, Availability.....	5
Charleston®	6
Colebrook®.....	7
New Haven®	8
New Haven with Drawer Front Option	9
Rushmore®.....	11
Sierra Vista®	12
Tucson®.....	13
Windsor	14
Windsor with Drawer Front Option	15
Wyoming®.....	16
Portfolio® Series Collections	18
Features, Options, Availability.....	19
Barnett®	20
Cumberland®.....	21
Downing®	23
Kinsdale®	24
Lausanne®	25
Maddox	27
Maddox with Drawer Front Option	28
Scottsdale®	29
Sonoma®	30
Tahoe®	32

Standard Cabinet Specifications	33
Certification.....	34
Cabinet Specifications.....	35
Finishing Systems.....	36
Door Species & Characteristics.....	37
Wall Cabinet Construction.....	38
Base Cabinet Construction.....	39
Cabinet Dimensions.....	40
Hardware.....	44
Ceiling Height Requirements.....	45
Installed Height Guidelines.....	46
Overlay Dimensions.....	48

Construction Options	49
Legend.....	50
Premium Finish Cabinet Option.....	51
All Plywood Construction.....	52
Plywood Ends Option.....	52
Construction Comparison.....	53
CushionClose Hinge Option.....	54
Full-Access Drawer Option.....	54
CushionClose Drawer Option.....	54
Full-Extension Deep Dovetail Sliding Shelf Option.....	55
CushionClose Deep Dovetail Sliding Shelf Option.....	55
Reduced Depth Option.....	56
Increased Depth Option.....	57
Cabinet Front Only Option.....	57
Furniture Ends Option.....	58
Inverted Frame Option.....	58
Recessed Toe Kick Option.....	59
Full Depth Shelf Option	59
Matching Interior Option.....	60
Void Door Option.....	61
Void Top Drawer Option.....	61
Specialty Door Options.....	62
Specialty Door Availability.....	63
Open Frame Door Profiles.....	64
Mullion Frame Door Profiles.....	65
Horizontal Frame Door Profiles.....	68
Prairie Frame Door Profiles.....	69
Aluminum Frame Door Profiles.....	70
Glass Inserts.....	71

Wall Cabinets	75
Standard	76
With Spice Rack.....	78
Wall Top Hinge.....	78
Peninsula.....	79
Microwave.....	80
Blind Peninsula.....	81
Blind.....	82
Corner.....	84
Peninsula Corner.....	85
Wall End Angle.....	86
Specialty.....	87
Range Hoods.....	88
Accessories	91

Base Cabinets	97
One Door Base Cabinets.....	68
One Door Base with Sliding Shelves.....	68
One Door Base with Accessories.....	99
One Door Base with Factory Installed Drawer Organizer.....	100
Two Door Base Cabinets.....	101
Two Door Base with Sliding Shelves.....	101
Three Door Base Cabinets.....	102
Three Door Base with Sliding Shelves.....	103
One Door Full-Height Base Cabinets.....	103
One Door Full-Height Base Cabinets with Sliding Shelves.....	104
One Door Full-Height Base Cabinets with Accessories.....	104
Two Door Full-Height Base Cabinets.....	105
Two Door Full-Height Base Cabinets with Sliding Shelves.....	106
Drawer Base.....	106
Specialty Drawer Base.....	107
Drawer Base with Factory Installed Drawer Organizer.....	109
Peninsula.....	110
Full-Height Peninsula Base.....	110
Blind Peninsula Corner Base.....	111
Corner.....	112
Sink/Cooktop	117
Sink Base with Factory Installed Tilt-Out Tray(s).....	117
Sink/Cooktop Front.....	119
Specialty.....	120
Accessories.....	123

Desk Cabinets & Bookshelves	129
Desk Base Cabinets.....	130
Accessories.....	132
Bookshelves.....	132

Tall Cabinets	135
Two Door Utility Cabinets.....	136
Two Door Utility Cabinets with Sliding Shelves.....	137
Four Door Utility Cabinets.....	138
Four Door Utility Cabinets with Sliding Shelves.....	139
Oven Cabinets.....	140
Accessories.....	146

Vanity Cabinets	151
One Door Vanity Cabinets.....	152
Two Door Vanity Cabinets.....	152
Full-Height Vanity Cabinets.....	153
Vanity Drawer Base.....	153
Vanity Sink Base	154
Vanity Combo Sink Base	157
Vanity Sink Front	159
Specialty.....	159
Accessories.....	160
Vanity Linen Cabinets.....	161
Vanity Linen Accessories.....	163

Universal Design Cabinets	165
Base.....	166
Oven.....	168
Accessories.....	169

Moldings & Trim	171
----------------------------------	-----

Panels, Fillers & Installation Items	179
Panels.....	180
Fillers.....	186
Base Toe Kick.....	190
Installation Items.....	191

Decorative Accents	195
Valances.....	196
Countertop Supports.....	198
Corbels.....	198
Decorative Blocks.....	202
Furniture Toe Kick.....	203
Legs and Feet.....	204
Split Post, Collar and Blocks.....	208

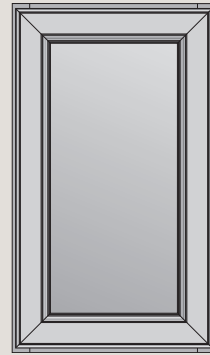
Decorative Hardware	209
----------------------------------	-----

Parts Directory	221
------------------------------	-----

Index	273
--------------------	-----

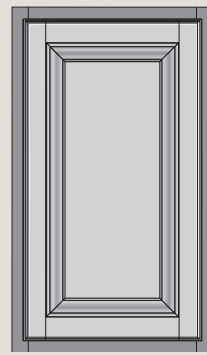
Warranty	282
-----------------------	-----

Charleston



PAGE 6

Colebrook



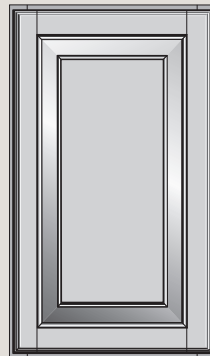
PAGE 7

New Haven



PAGES 8-10

Rushmore



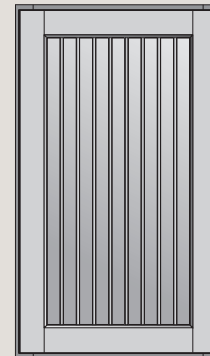
PAGE 11

Sierra Vista



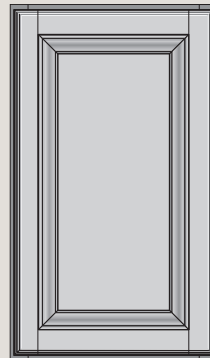
PAGE 12

Tucson



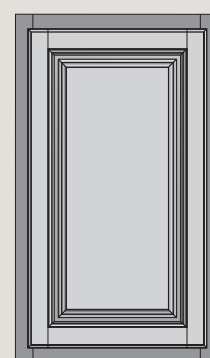
PAGE 13

Windsor



PAGES 14-15

Wyoming



PAGE 16

CABINET FEATURES

Face Frames	Hardwood ¾" x 1½"
Side Panels	½" Engineered Wood with TuffTech® Finish
Tops, Bottoms, Floors	½" Engineered Wood with TuffTech Finish
Back Panel	⅝" Hardboard Substrate Captured
Toe Kick	Inset ½" Engineered Wood (unfinished)
Shelves	¾" Base and Wall Engineered Wood
Hinges	Hidden Hinges
Limited Warranty	5 Year

DRAWER FEATURES

24" Deep Base 24" Deep Desk 24" Deep Oven	21" deep, ⅝" thick dovetail hardwood drawer and full-extension hidden glides
21" Deep Vanity 21" Deep Desk	18" deep, ⅝" thick dovetail hardwood drawer and full-extension hidden glides
18" Deep Vanity	15" deep, ⅝" thick dovetail hardwood drawer and full-extension hidden glides

CONSTRUCTION OPTIONS

- All Plywood Construction Option (APC)
- Cabinet Front Only Option (CFO)
- CushionClose® Full-Extension Dovetail Drawer Option (CCDW)
- CushionClose Hinge Option (CCH)
- CushionClose Dovetail Sliding Shelves Option (CCSS)
- **Full Depth Shelf Option (FDS)**
- Full-Extension Dovetail Sliding Shelves Option (FASS)
- Furniture Ends Option (FE)
- Increased Depth Option (ID)
- Inverted Frame Option (IF)
- Matching Interior Option (MI)
- Plywood Ends Option (PE)
- Premium Finish Option
- Recessed Toe Kick Option (RTK)
- Reduced Depth Option (RD)
- Void Door Option (VDO)
- **Void Top Drawer Option (VTD)**

SPECIALTY DOOR OPTIONS

- Brushed Aluminum Frame Door Option (AFBA)
- Vintage Iron Frame Door Option (AFVI)
- Horizontal Frame Door Option (HFD)
- Mullion Frame Door Option (MFD)
- Open Frame Door Option (OFD)
- Prairie Frame Door Option (PFD)

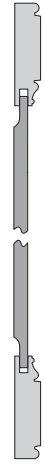
SPECIES/FINISH AVAILABILITY BY COLLECTION

Finish:	Charleston	Colebrook	New Haven	Rushmore	Sierra Vista	Tucson	Windsor	Wyoming
Cherry Autumn	•	•	•		•		•	
Cherry Java	•	•	•		•		•	
Cherry Merlot	•	•	•		•		•	
Cherry Slate	•	•	•		•		•	
Cherry Spice	•	•	•		•		•	
Duraform® Breeze			•					
Duraform Cascade			•					
Duraform Drift			•					
Maple Auburn Glaze*	•	•		•	•		•	•
Maple Cognac	•	•	•	•	•	•	•	•
Maple Espresso	•	•	•	•	•		•	•
Maple Mocha Glaze*	•	•		•	•		•	•
Maple Rye	•	•	•	•	•	•	•	•
Maple Slate	•		•		•		•	
Maple Spice	•	•	•	•	•	•	•	•
Maple Truffle	•	•	•	•	•	•	•	•
Painted Boulder*	•	•	•	•	•	•	•	•
Painted Ember Glaze*	•	•		•	•		•	•
Painted Harbor*	•	•	•	•	•	•	•	•
Painted Hazelnut Glaze*	•	•		•	•		•	•
Painted Linen*	•	•	•	•	•	•	•	•
Painted Pewter Glaze*	•	•		•	•		•	•
Painted Silk*	•	•	•	•	•	•	•	•
Painted Stone*	•	•	•	•	•	•	•	•

*Premium Finish



Door



Door Cross Section



Kneehole Drawer Front



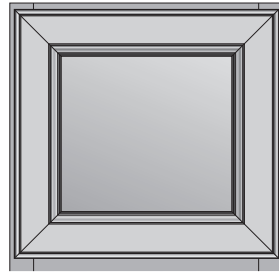
Kneehole Drawer Cross Section



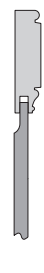
Standard Drawer Front



Standard Drawer Cross Section



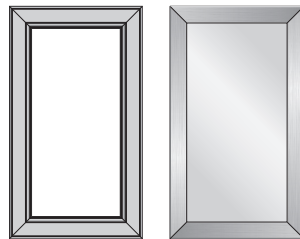
Large Drawer Front



Large Drawer Cross Section

Specialty Door (SD) Availability:

See page 62 for details and restrictions.



OFD

AFBA/AFVI

Charleston NEW | FINISH

DOOR STYLE DETAILS

Species:	Cherry, Maple, Painted
Door Description:	Mitered with Recessed Panel
Door Stile & Rail Width:	3"
Drawer Front:	5-Piece
Overlay:	Full Overlay
Hinge:	Full Overlay
Hardware:	Required

AVAILABLE FINISHES

FINISH	STYLE CODE
Cherry Autumn	54CDS
Cherry Java	54CKS
Cherry Merlot	54CBS
Cherry Slate	54CES
Cherry Spice	54CSS
Maple Auburn Glaze*	54MRE
Maple Cognac	54MRS
Maple Espresso	54MJS
Maple Mocha Glaze*	54MSC
Maple Rye	54MTS
Maple Slate	54GES
Maple Spice	54MSS
Maple Truffle	54MBS
Painted Boulder*	54MIS
Painted Ember Glaze*	54MKO
Painted Harbor*	54MKS
Painted Hazelnut Glaze*	54MGZ
Painted Linen*	54MPS
Painted Pewter Glaze*	54MPQ
Painted Silk*	54MGS
Painted Stone*	54MYS

*Premium Finish

Colebrook

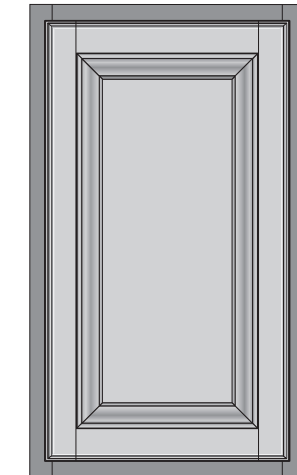
DOOR STYLE DETAILS

Species:	Cherry, Maple, Painted
Door Description:	Raised Panel
Door Stile & Rail Width:	2 1/4"
Drawer Front:	Routed Slab
Overlay:	Standard Overlay
Hinge:	Standard Overlay
Hardware:	Recommended

AVAILABLE FINISHES

FINISH	STYLE CODE
Cherry Autumn	56CDS
Cherry Java	56CKS
Cherry Merlot	56CBS
Cherry Slate	56CES
Cherry Spice	56CSS
Maple Auburn Glaze*	56MRE
Maple Cognac	56MRS
Maple Espresso	56MJS
Maple Mocha Glaze*	56MSC
Maple Rye	56MTS
Maple Spice	56MSS
Maple Truffle	56MBS
Painted Boulder*	56MIS
Painted Ember Glaze*	56MKO
Painted Harbor*	56MKS
Painted Hazelnut Glaze*	56MGZ
Painted Linen*	56MPS
Painted Pewter Glaze*	56MPQ
Painted Silk*	56MGS
Painted Stone*	56MYS

*Premium Finish



Door



Door Cross Section



Kneehole Drawer Front



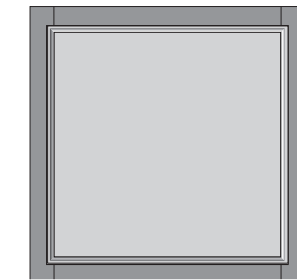
Kneehole Drawer Cross Section



Standard Drawer Front



Standard Drawer Cross Section



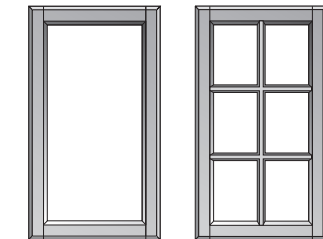
Large Drawer Front



Large Drawer Cross Section

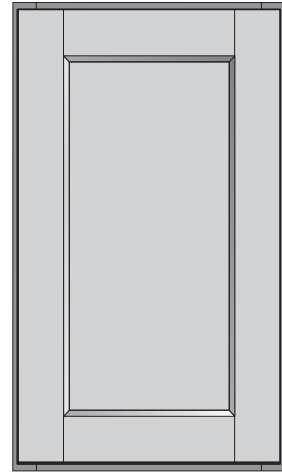
Specialty Door (SD) Availability:

See page 62 for details and restrictions.

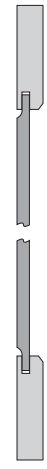


OFD

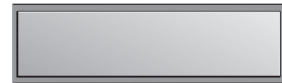
MFD



Door



Door Cross Section



Kneehole Drawer Front



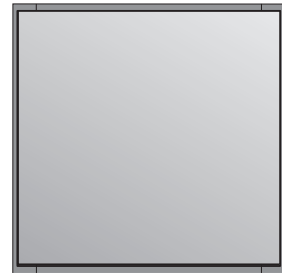
Kneehole Drawer Cross Section



Standard Drawer Front



Standard Drawer Cross Section



Large Drawer Front



Large Drawer Cross Section

New Haven NEW | FINISH

DOOR STYLE DETAILS

Species:	Cherry, Maple, Painted
Door Description:	Recessed Shaker Panel
Door Stile & Rail Width:	3"
Drawer Front:	Slab
Overlay:	Full Overlay
Hinge:	Deep Full Overlay
Hardware:	Required

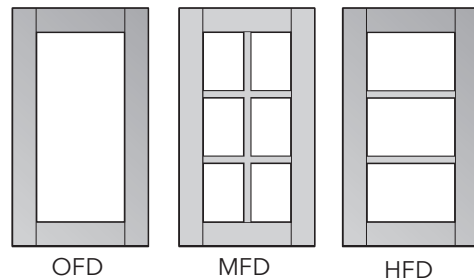
AVAILABLE FINISHES

FINISH	STYLE CODE
Cherry Autumn	40CDS
Cherry Java	40CKS
Cherry Merlot	40CBS
Cherry Slate	40CES
Cherry Spice	40CSS
Maple Cognac	40MRS
Maple Espresso	40MJS
Maple Rye	40MTS
Maple Slate	40GES
Maple Spice	40MSS
Maple Truffle	40MBS
Painted Boulder*	40MIS
Painted Harbor*	40MKS
Painted Linen*	40MPS
Painted Silk*	40MGS
Painted Stone*	40MYS

*Premium Finish

Specialty Door (SD) Availability:

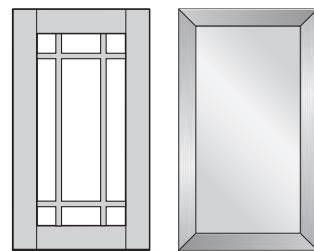
See page 62 for details and restrictions.



OFD

MFD

HFD



PFD

AFBA/AFVI

New Haven NEW | FINISH with Drawer Front Option

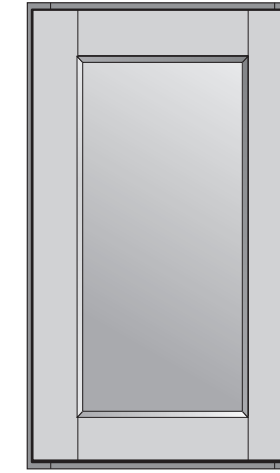
DOOR STYLE DETAILS

Species:	Cherry, Maple, Painted
Door Description:	Recessed Shaker Panel
Door Stile & Rail Width:	3"
Drawer Front:	5-Piece
Overlay:	Full Overlay
Hinge:	Deep Full Overlay
Hardware:	Required

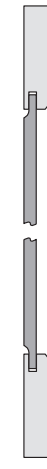
AVAILABLE FINISHES

FINISH	STYLE CODE
Cherry Autumn	42CDS
Cherry Java	42CKS
Cherry Merlot	42CBS
Cherry Slate	42CES
Cherry Spice	42CSS
Maple Cognac	42MRS
Maple Espresso	42MJS
Maple Rye	42MTS
Maple Slate	42GES
Maple Spice	42MSS
Maple Truffle	42MBS
Painted Boulder*	42MIS
Painted Harbor*	42MKS
Painted Linen*	42MPS
Painted Silk*	42MGS
Painted Stone*	42MYS

*Premium Finish



Door



Door Cross Section



Kneehole Drawer Front



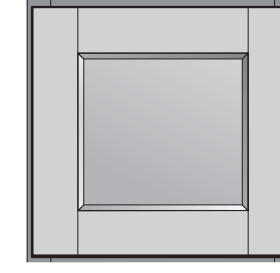
Kneehole Drawer Cross Section



Standard Drawer Front



Standard Drawer Cross Section



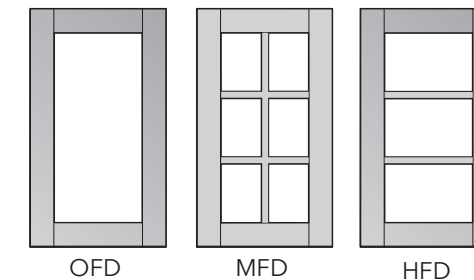
Large Drawer Front



Large Drawer Cross Section

Specialty Door (SD) Availability:

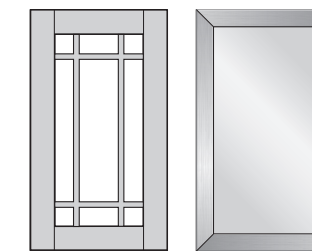
See page 62 for details and restrictions.



OFD

MFD

HFD

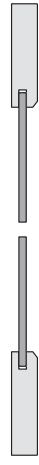


PFD

AFBA/AFVI



Door



Door Cross Section



Kneehole Drawer Front



Kneehole Drawer Cross Section



Standard Drawer Front



Standard Drawer Cross Section



Large Drawer Front



Large Drawer Cross Section

New Haven with Drawer Front Option

DOOR STYLE DETAILS

Species:	Duraform (Textured PVC)
Door Description:	Recessed Shaker Panel
Door Stile & Rail Width:	3"
Drawer Front:	5-Piece
Overlay:	Full Overlay
Hinge:	Deep Full Overlay
Hardware:	Required

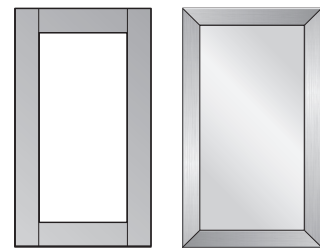
AVAILABLE FINISHES

FINISH	BOX FINISH*	STYLE CODE
Duraform Breeze	Linen	42EPA
Duraform Cascade	Espresso	42EJC
Duraform Drift	Harbor	42EKB

*Doors, drawer fronts and select SKUs (__DT) will be textured Duraform. All other finished cabinet and accessory surfaces will be in the indicated box finish above.

Specialty Door (SD) Availability:

See page 62 for details and restrictions.



OFD

AFBA/AFVI

Rushmore

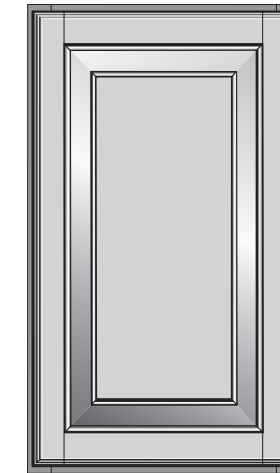
DOOR STYLE DETAILS

Species:	Maple, Painted
Door Description:	Raised Panel
Door Stile & Rail Width:	2¼"
Drawer Front:	Routed Slab
Overlay:	Full Overlay
Hinge:	Full Overlay
Hardware:	Required

AVAILABLE FINISHES

FINISH	STYLE CODE
Maple Auburn Glaze*	D5EDF
Maple Cognac	D5RDF
Maple Espresso	D5JDF
Maple Mocha Glaze*	D5CDF
Maple Rye	D5TDF
Maple Spice	D5SDF
Maple Truffle	D5BDF
Painted Boulder*	D5IDF
Painted Ember Glaze*	D5ODF
Painted Harbor*	D5KDF
Painted Hazelnut Glaze*	D5ZDF
Painted Linen*	D5PDF
Painted Pewter Glaze*	D5QDF
Painted Silk*	D5GDF
Painted Stone*	D5YDF

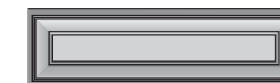
*Premium Finish



Door



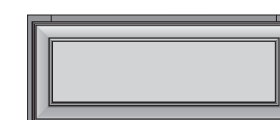
Door Cross Section



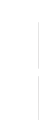
Kneehole Drawer Front



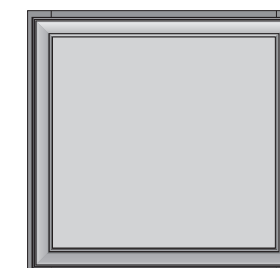
Kneehole Drawer Cross Section



Standard Drawer Front



Standard Drawer Cross Section



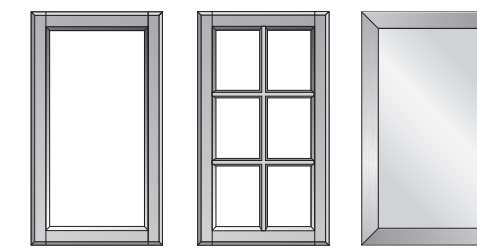
Large Drawer Front



Large Drawer Cross Section

Specialty Door (SD) Availability:

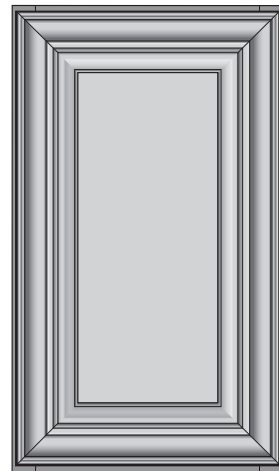
See page 62 for details and restrictions.



OFD

MFD

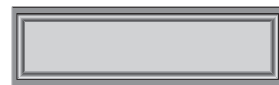
AFBA/AFVI



Door



Door Cross Section



Kneehole Drawer Front



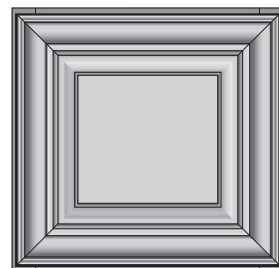
Kneehole Drawer Cross Section



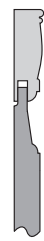
Standard Drawer Front



Standard Drawer Cross Section



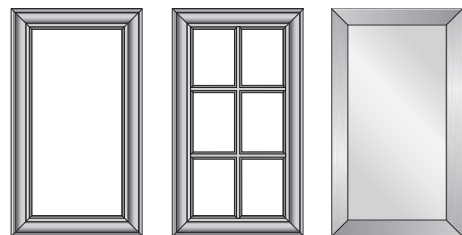
Large Drawer Front



Large Drawer Cross Section

Specialty Door (SD) Availability:

See page 62 for details and restrictions.



OFD

MFD

AFBA/AFVI

Sierra Vista NEW | FINISH

DOOR STYLE DETAILS

Species:	Cherry, Maple, Painted
Door Description:	Mitered Raised Panel
Door Stile & Rail Width:	3"
Drawer Front:	5-Piece
Overlay:	Full Overlay
Hinge:	Deep Full Overlay
Hardware:	Required

AVAILABLE FINISHES

FINISH	STYLE CODE
Cherry Autumn	35CDS
Cherry Java	35CKS
Cherry Merlot	35CBS
Cherry Slate	35CES
Cherry Spice	35CSS
Maple Auburn Glaze*	35MRE
Maple Cognac	35MRS
Maple Espresso	35MJS
Maple Mocha Glaze*	35MSC
Maple Rye	35MTS
Maple Slate	35GES
Maple Spice	35MSS
Maple Truffle	35MBS
Painted Boulder*	35MIS
Painted Ember Glaze*	35MKO
Painted Harbor*	35MKS
Painted Hazelnut Glaze*	35MGZ
Painted Linen*	35MPS
Painted Pewter Glaze*	35MPQ
Painted Silk*	35MGS
Painted Stone*	35MYS

*Premium Finish

Tucson

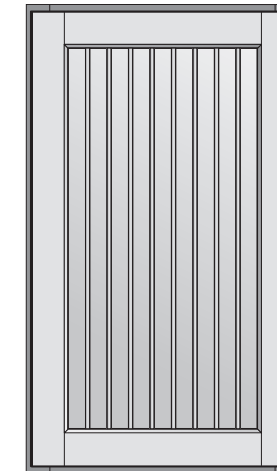
DOOR STYLE DETAILS

Species:	Maple, Painted
Door Description:	Beadboard Panel
Door Stile & Rail Width:	2¼"
Drawer Front:	Slab
Overlay:	Full Overlay
Hinge:	Deep Full Overlay
Hardware:	Required

AVAILABLE FINISHES

FINISH	STYLE CODE
Maple Cognac	48MRS
Maple Rye	48MTS
Maple Spice	48MSS
Maple Truffle	48MBS
Painted Boulder*	48MIS
Painted Harbor*	48MKS
Painted Linen*	48MPS
Painted Silk*	48MGS
Painted Stone*	48MYS

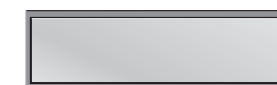
*Premium Finish



Door



Door Cross Section



Kneehole Drawer Front



Kneehole Drawer Cross Section



Standard Drawer Front



Standard Drawer Cross Section



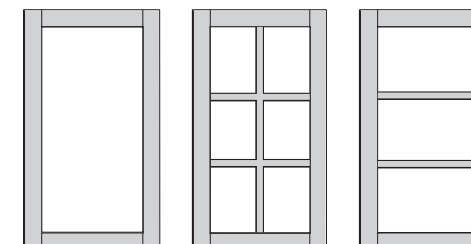
Large Drawer Front



Large Drawer Cross Section

Specialty Door (SD) Availability:

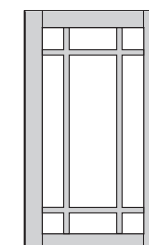
See page 62 for details and restrictions.



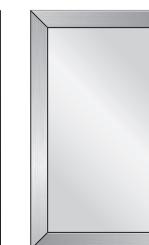
OFD

MFD

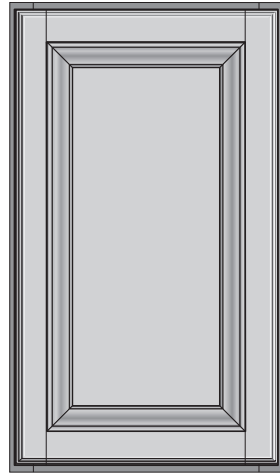
HFD



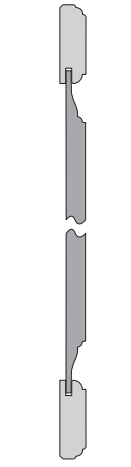
PFD



AFBA/AFVI



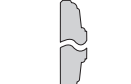
Door



Door Cross Section



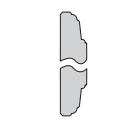
Kneehole Drawer Front



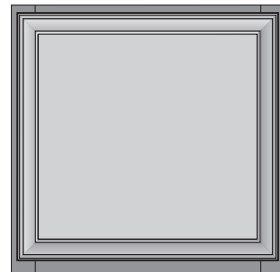
Kneehole Drawer Cross Section



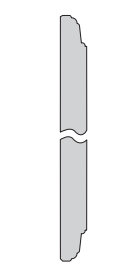
Standard Drawer Front



Standard Drawer Cross Section



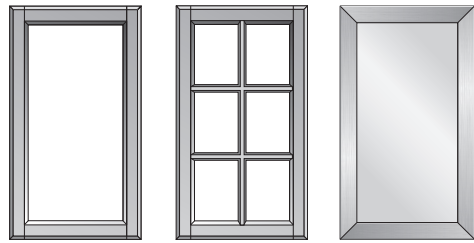
Large Drawer Front



Large Drawer Cross Section

Specialty Door (SD) Availability:

See page 62 for details and restrictions.



OFD

MFD

AFBA/AFVI

Windsor NEW | FINISH

DOOR STYLE DETAILS

Species:	Cherry, Maple, Painted
Door Description:	Raised Panel
Door Stile & Rail Width:	2¼"
Drawer Front:	Routed Slab
Overlay:	Full Overlay
Hinge:	Full Overlay
Hardware:	Required

AVAILABLE FINISHES

FINISH	STYLE CODE
Cherry Autumn	44CDS
Cherry Java	44CKS
Cherry Merlot	44CBS
Cherry Slate	44CES
Cherry Spice	44CSS
Maple Auburn Glaze*	44MRE
Maple Cognac	44MRS
Maple Espresso	44MJS
Maple Mocha Glaze*	44MSC
Maple Rye	44MTS
Maple Slate	44GES
Maple Spice	44MSS
Maple Truffle	44MBS
Painted Boulder*	44MIS
Painted Ember Glaze*	44MKO
Painted Harbor*	44MKS
Painted Hazelnut Glaze*	44MGZ
Painted Linen*	44MPS
Painted Pewter Glaze*	44MPQ
Painted Silk*	44MGS
Painted Stone*	44MYS

*Premium Finish

Windsor NEW | FINISH
with Drawer Front Option

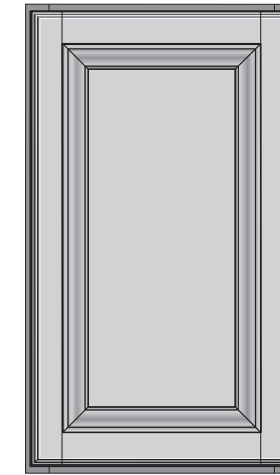
DOOR STYLE DETAILS

Species:	Cherry, Maple, Painted
Door Description:	Raised Panel
Door Stile & Rail Width:	2¼"
Drawer Front:	5-Piece
Overlay:	Full Overlay
Hinge:	Full Overlay
Hardware:	Required

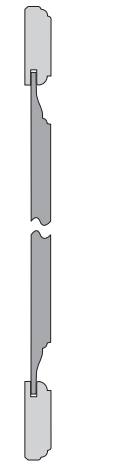
AVAILABLE FINISHES

FINISH	STYLE CODE
Cherry Autumn	47CDS
Cherry Java	47CKS
Cherry Merlot	47CBS
Cherry Slate	47CES
Cherry Spice	47CSS
Maple Auburn Glaze*	47MRE
Maple Cognac	47MRS
Maple Espresso	47MJS
Maple Mocha Glaze*	47MSC
Maple Rye	47MTS
Maple Slate	47GES
Maple Spice	47MSS
Maple Truffle	47MBS
Painted Boulder*	47MIS
Painted Ember Glaze*	47MKO
Painted Harbor*	47MKS
Painted Hazelnut Glaze*	47MGZ
Painted Linen*	47MPS
Painted Pewter Glaze*	47MPQ
Painted Silk*	47MGS
Painted Stone*	47MYS

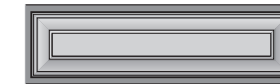
*Premium Finish



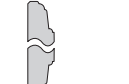
Door



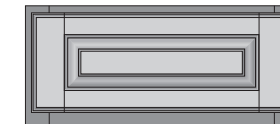
Door Cross Section



Kneehole Drawer Front



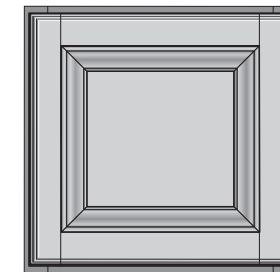
Kneehole Drawer Cross Section



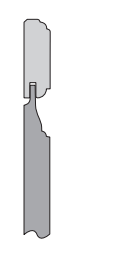
Standard Drawer Front



Standard Drawer Cross Section



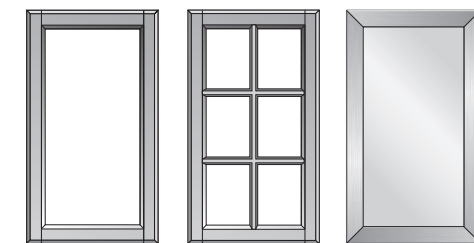
Large Drawer Front



Large Drawer Cross Section

Specialty Door (SD) Availability:

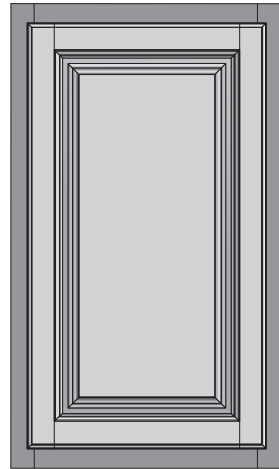
See page 62 for details and restrictions.



OFD

MFD

AFBA/AFVI



Door



Door Cross Section



Kneehole Drawer Front



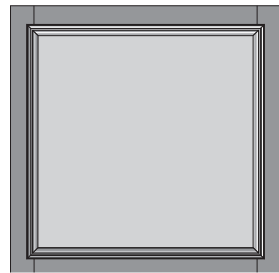
Kneehole Drawer Cross Section



Standard Drawer Front



Standard Drawer Cross Section



Large Drawer Front



Large Drawer Cross Section

Wyoming

DOOR STYLE DETAILS

Species:	Maple, Painted
Door Description:	Raised Panel
Door Stile & Rail Width:	2¼"
Drawer Front:	Routed Slab
Overlay:	Standard Overlay
Hinge:	Standard Overlay
Hardware:	Recommended

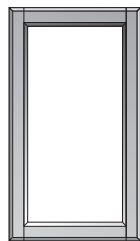
AVAILABLE FINISHES

FINISH	STYLE CODE
Maple Auburn Glaze*	D3E
Maple Cognac	D3R
Maple Espresso	D3J
Maple Mocha Glaze*	D3C
Maple Rye	D3T
Maple Spice	D3S
Maple Truffle	D3B
Painted Boulder*	D3I
Painted Ember Glaze*	D3O
Painted Harbor*	D3K
Painted Hazelnut Glaze*	D3Z
Painted Linen*	D3P
Painted Pewter Glaze*	D3Q
Painted Silk*	D3G
Painted Stone*	D3Y

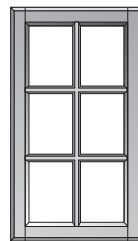
*Premium Finish

Specialty Door (SD) Availability:

See page 62 for details and restrictions.

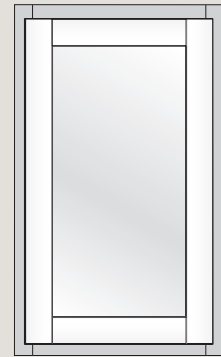


OFD



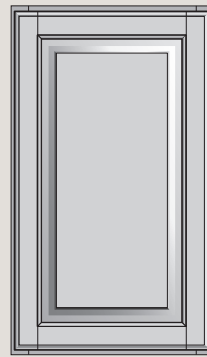
MFD

Barnett



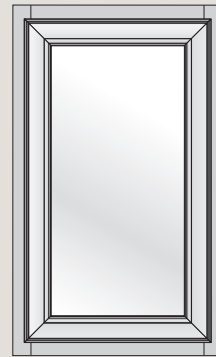
PAGE 20

Cumberland



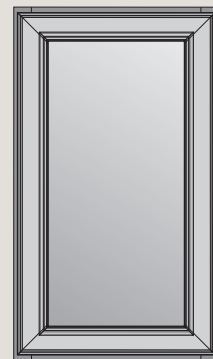
PAGES 21-22

Downing



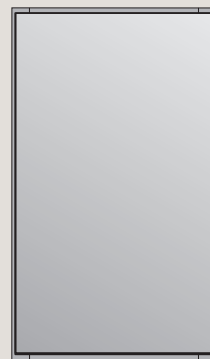
PAGE 23

Kinsdale



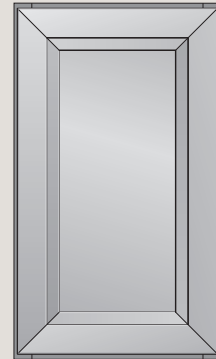
PAGE 24

Lausanne



PAGES 25-26

Maddox



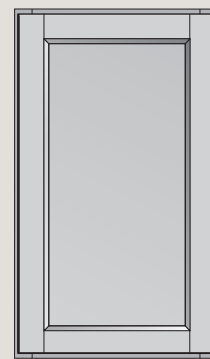
PAGES 27-28

Scottsdale



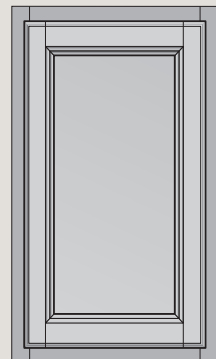
PAGE 29

Sonoma



PAGES 30-31

Tahoe



PAGE 32

CABINET FEATURES

Face Frames	Hardwood ¾" x 1½"
Side Panels	½" Engineered Wood with TuffTech Finish
Tops, Bottoms, Floors	½" Engineered Wood with TuffTech Finish
Back Panel	½" Hardboard Substrate Captured
Toe Kick	Inset ½" Engineered Wood (Unfinished)
Shelves	¾" Base and Wall Engineered Wood
Hinges	Hidden Hinges
Limited Warranty	5 Year

DRAWER FEATURES

24" Deep Base 24" Deep Desk 24" Deep Oven	21" deep engineered wood drawer with TuffTech finish, MDF printed bottom, and side-mounted drawer glides
21" Deep Vanity 21" Deep Desk	18" deep engineered wood drawer with TuffTech finish, MDF printed bottom, and side-mounted drawer glides
18" Deep Vanity	15" deep engineered wood drawer with TuffTech finish, MDF printed bottom, and side-mounted drawer glides

CONSTRUCTION OPTIONS

- All Plywood Construction Option (APC) - Must Upgrade to Full-Extension Dovetail Drawer Option
- Cabinet Front Only Option (CFO)
- CushionClose Full-Extension Dovetail Drawer Option (CCDW)
- CushionClose Hinge Option (CCH)
- CushionClose Dovetail Sliding Shelves Option (CCSS)
- **Full Depth Shelf Option (FDS)**
- Full-Extension Dovetail Drawer Option (FADW)
- Full-Extension Dovetail Sliding Shelves Option (FASS)
- Furniture Ends Option (FE)
- Increased Depth Option (ID)
- Inverted Frame Option (IF)
- Matching Interior Option (MI)
- Plywood Ends Option (PE)
- Premium Finish Option
- Recessed Toe Kick Option (RTK)
- Reduced Depth Option (RD)
- Void Door Option (VDO)
- **Void Top Drawer Option (VTD)**

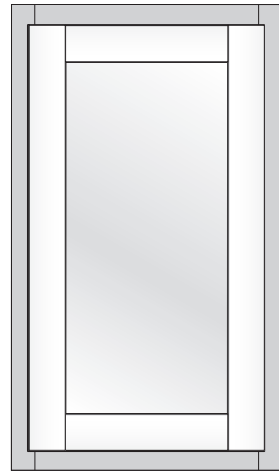
SPECIALTY DOOR OPTIONS

- Brushed Aluminum Frame Door Option (AFBA)
- Vintage Iron Frame Door Option (AFVI)
- Horizontal Frame Door Option (HFD)
- Mullion Frame Door Option (MFD)
- Open Frame Door Option (OFD)
- Prairie Frame Door Option (PFD)

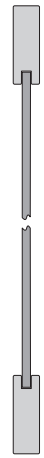
SPECIES/FINISH AVAILABILITY BY COLLECTION

	Barnett	Cumberland	Downing	Kinsdale	Lausanne	Maddox	Scottsdale	Sonoma	Tahoe
Finish:									
Cherry Autumn		•		•	•		•	•	•
Cherry Java		•		•	•		•	•	•
Cherry Merlot		•		•	•		•	•	•
Cherry Slate		•		•	•		•	•	•
Cherry Spice		•		•	•		•	•	•
Duraform Breeze					•				
Duraform Cascade					•				
Duraform Drift					•				
Duraform Espresso	•		•	•	•			•	
Duraform Linen	•		•	•	•			•	
Duraform Silk	•		•		•				
Duraform Stone	•		•	•	•			•	
Maple Auburn Glaze*		•		•			•		•
Maple Cognac		•		•	•		•	•	•
Maple Espresso		•		•	•		•	•	•
Maple Mocha Glaze*		•		•			•		•
Maple Rye		•		•	•		•	•	•
Maple Slate				•	•		•	•	•
Maple Spice		•		•	•		•	•	•
Maple Truffle		•		•	•		•	•	•
Painted Boulder*				•		•		•	•
Painted Ember Glaze*				•		•		•	•
Painted Harbor*				•		•		•	•
Painted Hazelnut Glaze*				•		•		•	•
Painted Linen*				•		•		•	•
Painted Pewter Glaze*				•		•		•	•
Painted Silk*				•		•		•	•
Painted Stone*				•		•		•	•
Thermofoil White		•							

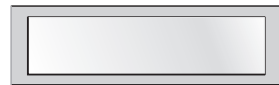
*Premium Finish



Door



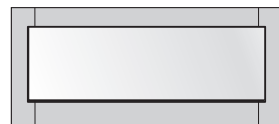
Door Cross Section



Kneehole Drawer Front



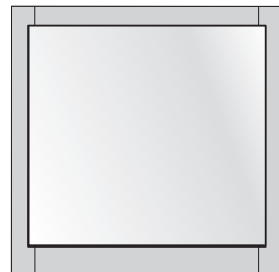
Kneehole Drawer Cross Section



Standard Drawer Front



Standard Drawer Cross Section



Large Drawer Front



Large Drawer Cross Section

Barnett NEW | FINISH

DOOR STYLE DETAILS

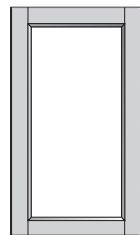
Species:	Duraform (Polypropylene)
Door Description:	Recessed Panel
Door Stile & Rail Width:	2¼"
Drawer Front:	Slab
Overlay:	Standard Overlay
Hinge:	Standard Overlay
Hardware:	Recommended

AVAILABLE FINISHES

FINISH	STYLE CODE
Duraform Espresso	19EJS
Duraform Linen	19EPS
Duraform Silk	19EGS
Duraform Stone	19EYS

Specialty Door (SD) Availability:

See page 62 for details and restrictions.



OFD

Cumberland

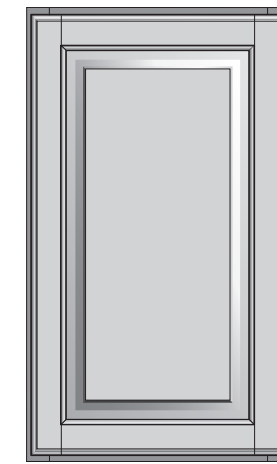
DOOR STYLE DETAILS

Species:	Cherry, Maple
Door Description:	Raised Panel
Door Stile & Rail Width:	2¼"
Drawer Front:	Routed Slab
Overlay:	Full Overlay
Hinge:	Full Overlay
Hardware:	Required

AVAILABLE FINISHES

FINISH	STYLE CODE
Cherry Autumn	A6D
Cherry Java	A6K
Cherry Merlot	A6B
Cherry Slate	A6E
Cherry Spice	A6S
Maple Auburn Glaze*	A5E
Maple Cognac	A5R
Maple Espresso	A5J
Maple Mocha Glaze*	A5C
Maple Rye	A5T
Maple Spice	A5S
Maple Truffle	A5B

*Premium Finish



Door



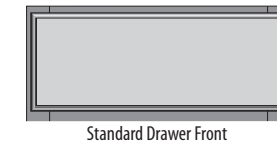
Door Cross Section



Kneehole Drawer Front



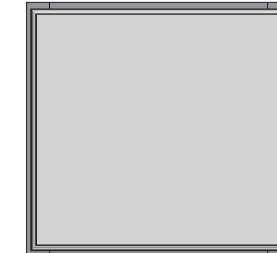
Kneehole Drawer Cross Section



Standard Drawer Front



Standard Drawer Cross Section



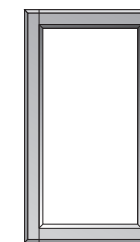
Large Drawer Front



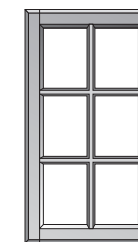
Large Drawer Cross Section

Specialty Door (SD) Availability:

See page 62 for details and restrictions.



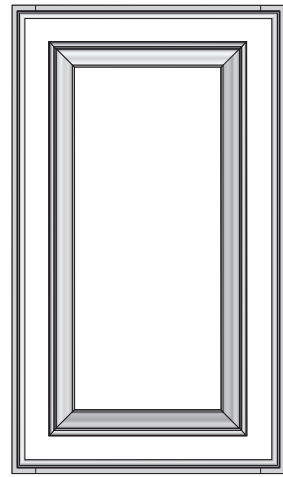
OFD



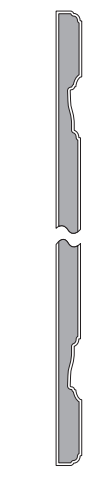
MFD



AFBA/AFVI



Door



Door Cross Section

Cumberland

DOOR STYLE DETAILS

Species:	Thermofoil
Door Description:	Raised Panel
Door Stile & Rail Width:	2¼"
Drawer Front:	Routed Slab
Overlay:	Full Overlay
Hinge:	Full Overlay
Hardware:	Required

AVAILABLE FINISHES

FINISH	STYLE CODE
Thermofoil White	I5W



Kneehole Drawer Front



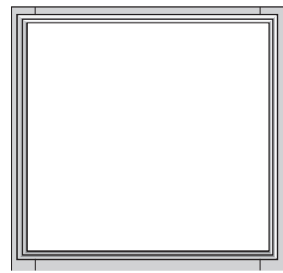
Kneehole Drawer Cross Section



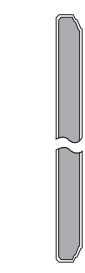
Standard Drawer Front



Standard Drawer Cross Section



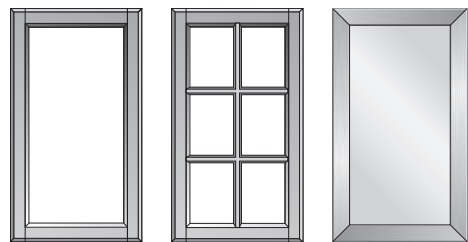
Large Drawer Front



Large Drawer Cross Section

Specialty Door (SD) Availability:

See page 62 for details and restrictions.



OFD

MFD

AFBA/AFVI

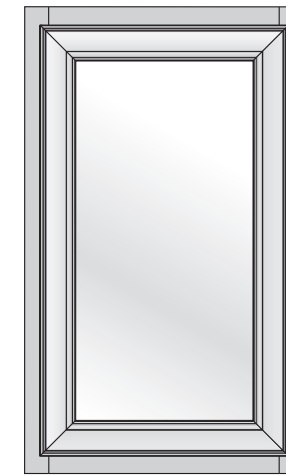
Downing NEW | FINISH

DOOR STYLE DETAILS

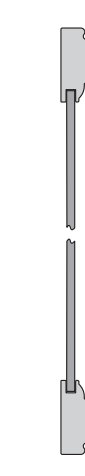
Species:	Duraform (Polypropylene)
Door Description:	Mitered Recessed Panel
Door Stile & Rail Width:	2¼"
Drawer Front:	5-Piece
Overlay:	Standard Overlay
Hinge:	Standard Overlay
Hardware:	Recommended

AVAILABLE FINISHES

FINISH	STYLE CODE
Duraform Espresso	18EJS
Duraform Linen	18EPS
Duraform Silk	18EGS
Duraform Stone	18EYS



Door



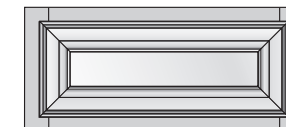
Door Cross Section



Kneehole Drawer Front



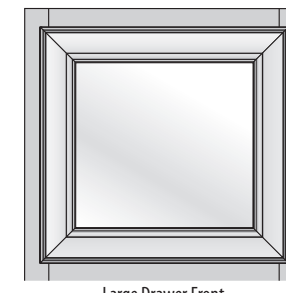
Kneehole Drawer Cross Section



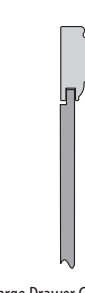
Standard Drawer Front



Standard Drawer Cross Section



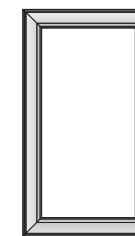
Large Drawer Front



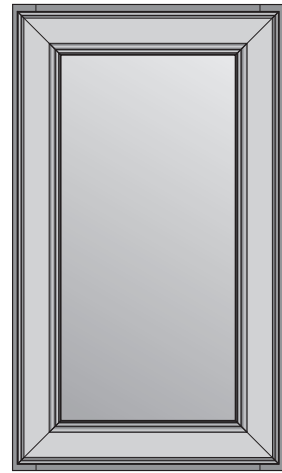
Large Drawer Cross Section

Specialty Door (SD) Availability:

See page 62 for details and restrictions.



OFD



Door



Door Cross Section



Kneehole Drawer Front (Cherry, Maple, Painted)



Kneehole Drawer Cross Section



Kneehole Drawer Front (Duraform)



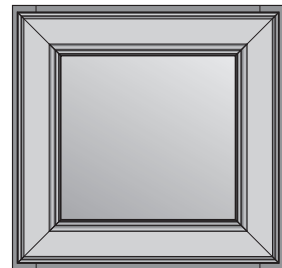
Kneehole Drawer Cross Section



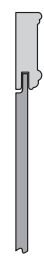
Standard Drawer Front



Standard Drawer Cross Section



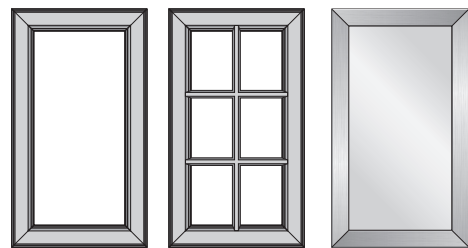
Large Drawer Front



Large Drawer Cross Section

Specialty Door (SD) Availability:

See page 62 for details and restrictions.



OFD

MFD*

AFBA/AFVI

*Not available for Duraform

Kinsdale NEW FINISHES

DOOR STYLE DETAILS

Species:	Cherry, Duraform (Polypropylene), Maple, Painted
Door Description:	Mitered Recessed Panel
Door Stile & Rail Width:	2¼"
Drawer Front:	5-Piece
Overlay:	Full Overlay
Hinge:	Deep Full Overlay
Hardware:	Required

AVAILABLE FINISHES

FINISH	STYLE CODE
Cherry Autumn	30CDS
Cherry Java	30CKS
Cherry Merlot	30CBS
Cherry Slate	30CES
Cherry Spice	30CSS
Duraform Espresso	30EJS
Duraform Linen	30EPS
Duraform Stone	30EYS
Maple Auburn Glaze*	30MRE
Maple Cognac	30MRS
Maple Espresso	30MJS
Maple Mocha Glaze*	30MSC
Maple Rye	30MTS
Maple Slate	30GES
Maple Spice	30MSS
Maple Truffle	30MBS
Painted Boulder*	30MIS
Painted Ember Glaze*	30MKO
Painted Harbor*	30MKS
Painted Hazelnut Glaze*	30MGZ
Painted Linen*	30MPS
Painted Pewter Glaze*	30MPQ
Painted Silk*	30MGS
Painted Stone*	30MYS

*Premium Finish

Lausanne NEW FINISHES

DOOR STYLE DETAILS

Species:	Cherry, Maple, Duraform Linen, Silk, Stone (Thermofoil), Duraform Espresso (Polypropylene)
Door Description:	Slab with edge banding*
Drawer Front:	Slab with edge banding*
Overlay:	Full Overlay
Hinge:	Deep Full Overlay
Hardware:	Required

*Duraform Linen, Silk, Stone are Thermofoil-wrapped slab

AVAILABLE FINISHES

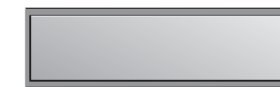
FINISH	STYLE CODE
Cherry Autumn	39CDS
Cherry Java	39CKS
Cherry Merlot	39CBS
Cherry Slate	39CES
Cherry Spice	39CSS
Duraform Espresso	39EJS
Duraform Linen	39EPS
Duraform Silk	39EGS
Duraform Stone	39EYS
Maple Cognac	39MRS
Maple Espresso	39MJS
Maple Rye	39MTS
Maple Slate	39GES
Maple Spice	39MSS
Maple Truffle	39MBS



Door



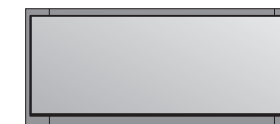
Door Cross Section



Kneehole Drawer Front



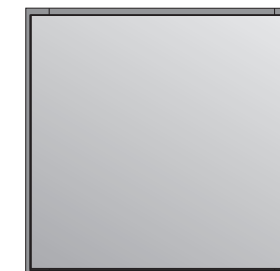
Kneehole Drawer Cross Section



Standard Drawer Front



Standard Drawer Cross Section



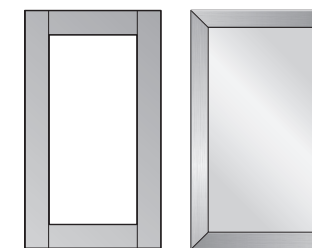
Large Drawer Front



Large Drawer Cross Section

Specialty Door (SD) Availability:

See page 62 for details and restrictions.



OFD

AFBA/AFVI



Door



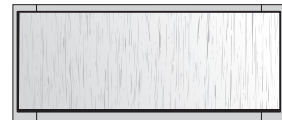
Door Cross Section



Kneehole Drawer Front



Kneehole Drawer Cross Section



Standard Drawer Front



Standard Drawer Cross Section



Large Drawer Front



Large Drawer Cross Section

Lausanne

DOOR STYLE DETAILS

Species:	Duraform (Textured PVC)
Door Description:	Slab with edge banding
Drawer Front:	Slab with edge banding
Overlay:	Full Overlay
Hinge:	Deep Full Overlay
Hardware:	Required

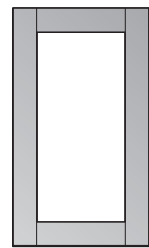
AVAILABLE FINISHES

FINISH	BOX FINISH*	STYLE CODE
Duraform Breeze	Linen	39EPA
Duraform Cascade	Espresso	39EJC
Duraform Drift	Harbor	39EKB

*Doors, drawer fronts and select SKUs (__DT) will be textured Duraform. All other finished cabinet and accessory surfaces will be in the indicated box finish above.

Specialty Door (SD) Availability:

See page 62 for details and restrictions.



OFD



AFBA/AFVI

Maddox NEW | DOOR STYLE

DOOR STYLE DETAILS

Species:	Painted
Door Description:	Mitered Recessed Panel
Door Stile & Rail Width:	3"
Drawer Front:	Slab
Overlay:	Full Overlay
Hinge:	Deep Full Overlay
Hardware:	Required

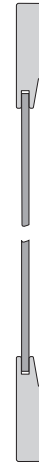
AVAILABLE FINISHES

FINISH	STYLE CODE
Painted Boulder*	57MIS
Painted Ember Glaze*	57MKO
Painted Harbor*	57MKS
Painted Hazelnut Glaze*	57MGZ
Painted Linen*	57MPS
Painted Pewter Glaze*	57MPQ
Painted Silk*	57MGS
Painted Stone*	57MYS

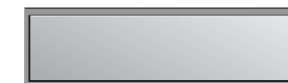
*Premium Finish



Door



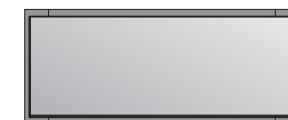
Door Cross Section



Kneehole Drawer Front



Kneehole Drawer Cross Section



Standard Drawer Front



Standard Drawer Cross Section



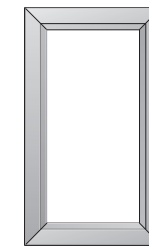
Large Drawer Front



Large Drawer Cross Section

Specialty Door (SD) Availability:

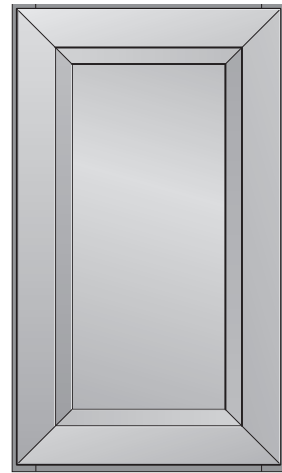
See page 62 for details and restrictions.



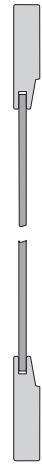
OFD



AFBA/AFVI



Door



Door Cross Section



Kneehole Drawer Front



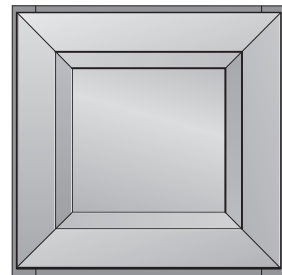
Kneehole Drawer Cross Section



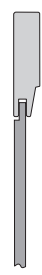
Standard Drawer Front



Standard Drawer Cross Section



Large Drawer Front



Large Drawer Cross Section

Maddox NEW | DOOR STYLE with Drawer Front Option

DOOR STYLE DETAILS

Species:	Painted
Door Description:	Mitered Recessed Panel
Door Stile & Rail Width:	3"
Drawer Front:	5-Piece
Overlay:	Full Overlay
Hinge:	Deep Full Overlay
Hardware:	Required

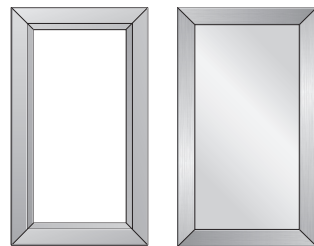
AVAILABLE FINISHES

FINISH	STYLE CODE
Painted Boulder*	58MIS
Painted Ember Glaze*	58MKO
Painted Harbor*	58MKS
Painted Hazelnut Glaze*	58MGZ
Painted Linen*	58MPS
Painted Pewter Glaze*	58MPQ
Painted Silk*	58MGS
Painted Stone*	58MYS

*Premium Finish

Specialty Door (SD) Availability:

See page 62 for details and restrictions.



OFD

AFBA/AFVI

Scottsdale NEW | FINISH

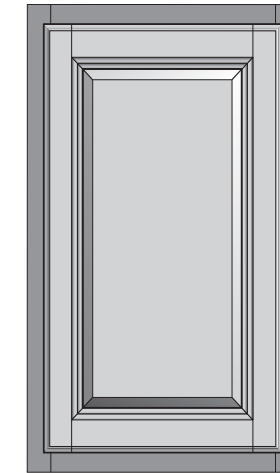
DOOR STYLE DETAILS

Species:	Cherry, Maple
Door Description:	Raised Panel
Door Stile & Rail Width:	2¼"
Drawer Front:	Routed Slab
Overlay:	Standard Overlay
Hinge:	Standard Overlay
Hardware:	Recommended

AVAILABLE FINISHES

FINISH	STYLE CODE
Cherry Autumn	N6D
Cherry Java	N6K
Cherry Merlot	N6B
Cherry Slate	N6E
Cherry Spice	N6S
Maple Auburn Glaze*	N3E
Maple Cognac	N3R
Maple Espresso	N3J
Maple Mocha Glaze*	N3C
Maple Rye	N3T
Maple Slate	N5E
Maple Spice	N3S
Maple Truffle	N3B

*Premium Finish



Door



Door Cross Section



Kneehole Drawer Front



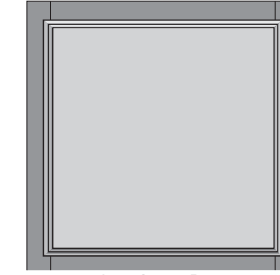
Kneehole Drawer Cross Section



Standard Drawer Front



Standard Drawer Cross Section



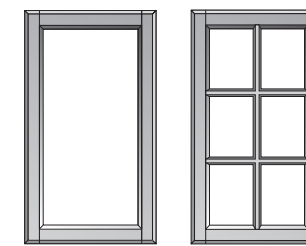
Large Drawer Front



Large Drawer Cross Section

Specialty Door (SD) Availability:

See page 62 for details and restrictions.

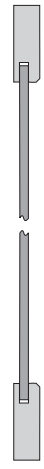


OFD

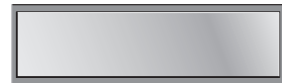
MFD



Door



Door Cross Section



Kneehole Drawer Front



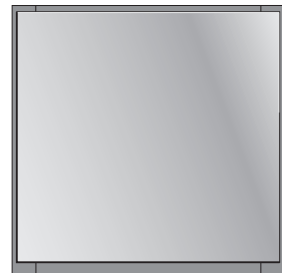
Kneehole Drawer Cross Section



Standard Drawer Front



Standard Drawer Cross Section



Large Drawer Front



Large Drawer Cross Section

Sonoma NEW | FINISH

DOOR STYLE DETAILS

Species:	Cherry, Maple, Painted
Door Description:	Recessed Panel
Door Stile & Rail Width:	2¼"
Drawer Front:	Slab
Overlay:	Full Overlay
Hinge:	Deep Full Overlay
Hardware:	Required

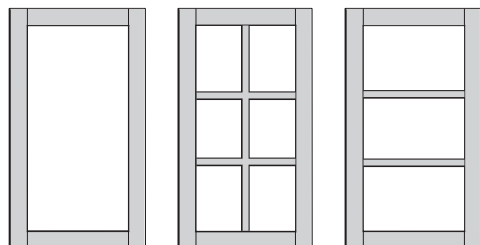
AVAILABLE FINISHES

FINISH	STYLE CODE
Cherry Autumn	28CDS
Cherry Java	28CKS
Cherry Merlot	28CBS
Cherry Slate	28CES
Cherry Spice	28CSS
Maple Cognac	28MRS
Maple Espresso	28MJS
Maple Rye	28MTS
Maple Slate	28GES
Maple Spice	28MSS
Maple Truffle	28MBS
Painted Boulder*	28MIS
Painted Harbor*	28MKS
Painted Linen*	28MPS
Painted Silk*	28MGS
Painted Stone*	28MYS

*Premium Finish

Specialty Door (SD) Availability:

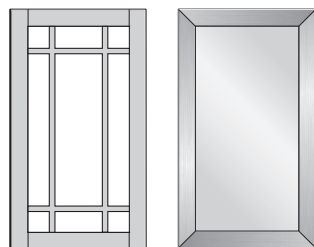
See page 62 for details and restrictions.



OFD

MFD

HFD



PFD

AFBA/AFVI

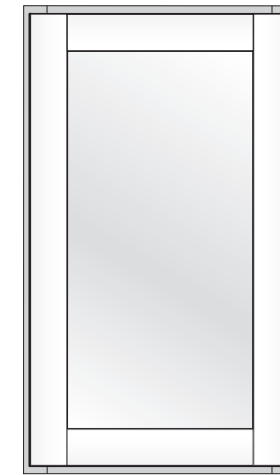
Sonoma NEW | FINISHES

DOOR STYLE DETAILS

Species:	Duraform (Polypropelene)
Door Description:	Recessed Panel
Door Stile & Rail Width:	2¼"
Drawer Front:	Slab
Overlay:	Full Overlay
Hinge:	Deep Full Overlay
Hardware:	Required

AVAILABLE FINISHES

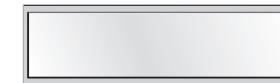
FINISH	STYLE CODE
Duraform Espresso	28EJS
Duraform Linen	28EPS
Duraform Stone	28EYS



Door



Door Cross Section



Kneehole Drawer Front



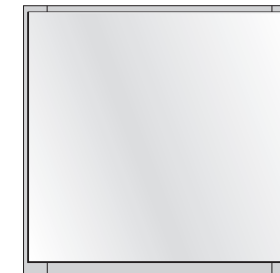
Kneehole Drawer Cross Section



Small Drawer Front



Small Drawer Cross Section



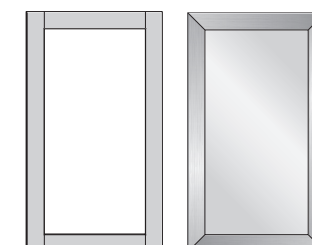
Large Drawer Front



Large Drawer Cross Section

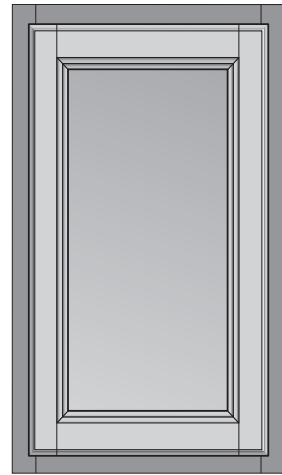
Specialty Door (SD) Availability:

See page 62 for details and restrictions.

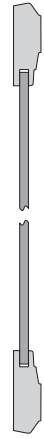


OFD

AFBA/AFVI



Door



Door Cross Section



Kneehole Drawer Front



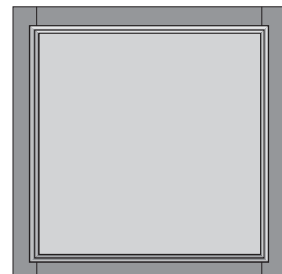
Kneehole Drawer Cross Section



Standard Drawer Front



Standard Drawer Cross Section



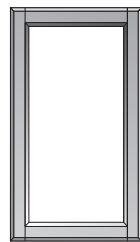
Large Drawer Front



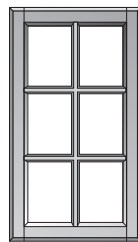
Large Drawer Cross Section

Specialty Door (SD) Availability:

See page 62 for details and restrictions.



OFD



MFD

Tahoe NEW | FINISH

DOOR STYLE DETAILS

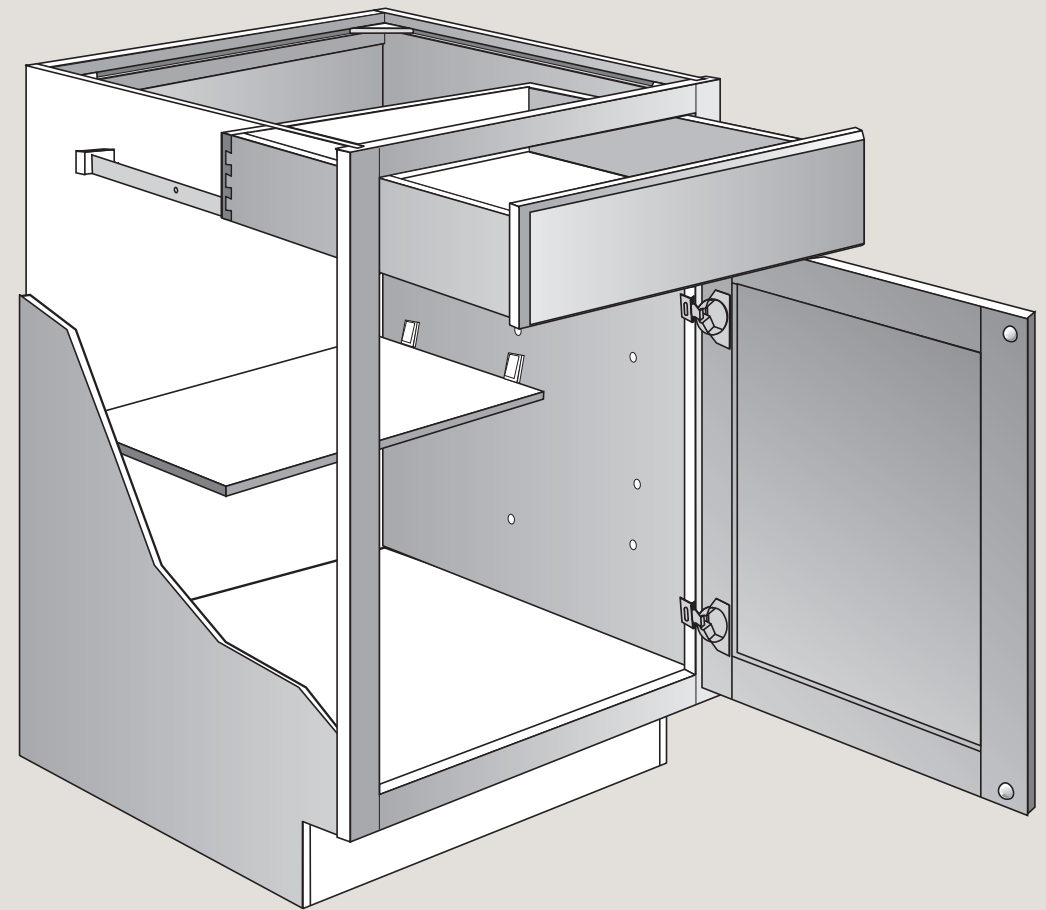
Species:	Cherry, Maple, Painted
Door Description:	Recessed Panel
Door Stile & Rail Width:	2¼"
Drawer Front:	Routed Slab
Overlay:	Standard Overlay
Hinge:	Standard Overlay
Hardware:	Recommended

AVAILABLE FINISHES

FINISH	STYLE CODE
Cherry Autumn	Y6D
Cherry Java	Y6K
Cherry Merlot	Y6B
Cherry Slate	Y6E
Cherry Spice	Y6S
Maple Auburn Glaze*	Y3E
Maple Cognac	Y3R
Maple Espresso	Y3J
Maple Mocha Glaze*	Y3C
Maple Rye	Y3T
Maple Slate	Y5E
Maple Spice	Y3S
Maple Truffle	Y3B
Painted Boulder*	Y3I
Painted Ember Glaze*	Y3O
Painted Harbor*	Y3K
Painted Hazelnut Glaze*	Y3Z
Painted Linen*	Y3P
Painted Pewter Glaze*	Y3Q
Painted Silk*	Y3G
Painted Stone*	Y3Y

*Premium Finish

STANDARD CABINET SPECIFICATIONS



KCMA Certified

All cabinetry manufactured by Timberlake is certified by the Kitchen Cabinet Manufacturers Association (KCMA).

KCMA sets the American National Standards Institute/ KCMA 161.1- 2000 uniform performance and construction standards for kitchen and vanity cabinets. The program is referenced by U.S. government agencies, architects, builders, remodelers, and other specifiers.

Cabinets that bear the KCMA seal of certification are recognized as a quality product with the ability to perform after a rigorous battery of tests, simulating years of typical household use. Tests are performed by approved third-party independent laboratories.

Timberlake is proud to display the KCMA seal of certification for cabinet construction.



Environmentally Responsible Stewardship

As a leading U.S. manufacturer of fine cabinetry, Timberlake, a division of American Woodmark Corporation, is committed to conducting business in a manner that both protects the environment and safeguards public health and safety. To achieve this end, the company proactively identifies potential environmental risks and monitors compliance with appropriate federal, state, local, and internal standards.

Timberlake has received certification by the Kitchen Cabinet Manufacturers Association (KCMA) Environmental Stewardship Program on all products. The certification was awarded based on compliance across a broad range of activity including air quality, product resource management, process resource management, environmental stewardship, and community relations.

Timberlake works with all suppliers to encourage sustainable forestry practices. Particle board and plywood are purchased from suppliers that meet the Composite Panel Association requirements for Environmentally Preferable Products including formaldehyde emissions that comply with ANSI standards.

Timberlake uses leading edge technologies to limit both hazardous and non-hazardous emissions, byproducts, and waste. Ongoing, formal programs identify opportunities for recycling and reusing materials. When waste ultimately requires disposal, steps are taken to minimize the environmental impact.

The American Woodmark Foundation supports local programs serving the community, including activities focused on maintaining the quality of life.

Timberlake is dedicated to doing our part in the preservation and sustainability of the environment.



Standard Cabinet Specifications

Cabinet Front Face Frames

Cabinet front face frames are made from ¾" x 1 5⁄8" solid hardwood. They are kiln-dried to prevent warping. Face frame joints are precision fixtured, pressure fitted and mechanically fastened.

Cabinet Side Panels

Cabinet side panels are ½" thick engineered wood. The exterior sides match cabinet finish and interior sides are finished with a natural woodgrain look using our TuffTech finishing system. They are captured into a grooved front face frame and secured using high-strength fasteners and glue.

Cabinet Tops, Bottoms, and Floors

Tops, bottoms, and floors are ½" thick engineered wood. The exterior and interiors are finished with a natural woodgrain look using our TuffTech finishing system. They are fitted and glued into the cabinet front face frame grooves, then captured in the grooves of the cabinet side panels.

Cabinet Back

The cabinet back is made from ½" thick hardboard substrate. The inside cabinet surface is finished with a natural woodgrain look using our TuffTech finishing system.

Hanging Rails

The base and vanity top hanging rail is ¾" thick solid wood, mortise and tenon joined, and glued to the cabinet side panels. The wall cabinet hanging rails are ½" thick engineered wood, glued and pinned into the cabinet back, cabinet side panels and top/bottom.

Wall Cabinet Shelves

Wall cabinet shelves are ¾" thick engineered wood. The shelves are finished with a natural woodgrain look using our TuffTech finishing system. Shelves are banded on one side with edge banding. All shelves are adjustable and meet KCMA load standards of 15 pounds per square foot.

Base Cabinet Shelves

Portfolio Select and Portfolio base cabinet shelves are ¾" thick, half-depth engineered wood. The shelves are finished with a natural woodgrain look using our TuffTech finishing system. Portfolio Select Series and Portfolio Series desk cabinets feature ¾" full-depth shelves. Shelves are banded on one side with edge banding. All shelves are adjustable and meet KCMA load standards of 15 pounds per square foot.

Drawer Systems

Portfolio Select Series 24" Deep

Portfolio Select Series 24" deep base and desk cabinetry utilize natural finish 5⁄8" thick dovetail hardwood drawers and full-extension hidden glides. All drawers meet KCMA load standards of 15 pounds per square foot. CushionClose Drawer Option available.

Portfolio Series 24" Deep

Portfolio Series 24" deep base and desk cabinetry utilize engineered wood drawers with printed MDF bottoms finished with our TuffTech finishing system and side-mounted drawer glides. All drawers meet KCMA load standards of 15 pounds per square foot. Full-Extension Dovetail and CushionClose Full-Extension Dovetail Drawer Options available.

Sliding Shelves

Sliding shelves feature printed MDF bottoms and side-mounted drawer glides. All drawers meet KCMA load standards of 15 pounds per square foot. Full-Extension Dovetail and CushionClose Full-Extension Dovetail Sliding Shelf Options available.

Corner Blocks

Corner blocks are attached to help ensure cabinet squareness and allow for proper countertop installation.

Hinges

Fully concealed, self-closing hidden hinges are standard on all door styles.

Inset Toe Kick

Inset toe kicks are constructed of ½" thick unfinished engineered wood. Standard toe kick dimensions are 4" high and recessed 3½". Universal Design toe kick dimensions are 8" high and recessed 6½" deep.

BTK8 (matching toe kick) required for installation.

Continuous Improvement

In keeping with our policy of continuous product refinement, Timberlake reserves the right to change specifications in design and materials as conditions require.

Finishing Systems and Cabinet Care

Finishing Systems

The finishing systems used on our products are designed to ensure the beauty and durability of our cabinetry. State-of-the-art equipment allows precise sanding, filling, and finish coverage of each of our products.

BeautyGuard® Finishing System

BeautyGuard is an extremely sophisticated and environmentally responsible coating that offers durability, ease of cleaning, and water resistance. We use a combination of mechanical systems to bring out the richness, luster, and natural grain definition of the wood, as well as computerized automation to ensure color consistency and surface smoothness. Our BeautyGuard finishing system is a rigorous multi-step process that includes sanding, brushing, cleaning, stain application, computerized oven drying, and a catalyzed topcoat to protect and beautify cabinets for years to come.

TuffTech® Finishing System

Our TuffTech finishing system uses high quality materials to finish our cabinet side panels, shelves, tops, bottoms and floors. These materials ensure our cabinets are durable, easy to clean, and resistant to stain and discoloration.

Environmentally Responsible Finishing

Our panel finishing system uses only water-based paints and fillers, yielding neither hazardous waste nor water contamination. Our acrylic and urethane materials are 100% solids, dried using high intensity lights, yielding no atmospheric emissions. Our products are extremely resistant to stains and surface damage that can be caused by common household chemicals. Our products exceed KCMA and ANSI standards for resistance to stains like coffee, grape juice, and moisture.

Cabinet Care

Remove dust from cabinets frequently with a soft lint-free cloth. The cloth may be slightly dampened with water or a spray type dust remover. Do not use a paste wax type material. Wax build-up is difficult to remove and will leave a residue that attracts dust and moisture. Polishes containing silicon should not be used. Clean spills immediately. Use a clean cloth and mild soap if necessary. Wipe dry with a clean soft cloth. Do not use detergents, citrus cleaners or ammonia-based cleaners, chlorine-based cleaners, steel wool, soap pads, or abrasive cleaners on cabinets.

Extra care should be taken that cabinet finishes are not exposed to heat in excess of 200° Fahrenheit (174° for thermofoil laminated door styles). Do not place or mount small appliances beneath wall cabinets. These appliances (such as coffee makers and toasters) can produce excessive heat, which can damage the finish of cabinets. Do not expose doors or drawer fronts (especially thermofoil) to heat created from self-cleaning ovens or ranges. A heat shield kit should be used when thermofoil cabinets are installed or mounted directly next to an oven or range. For more cabinet care information, please visit www.timberlake.com/care.

Allow Cabinets To Age Beautifully

Our cabinets showcase the careful selection of natural and engineered materials to achieve the best possible look. While every effort is made to match wood grain as closely as possible, no two pieces of wood are exactly alike, even from the same tree. These differences in natural color and grain mean that each piece will respond differently to the finishing materials used. For example, close-grained woods absorb less and will vary in color from more open-grained pieces from the very same tree. It's these variations that contribute to the beauty and distinction of quality wood products. However, exposure to sunlight, smoke, and chemicals may cause some materials to fade or vary from their original color over time.

Cabinets, doors, drawer fronts, and accessories added at a later date may not exactly match cabinets installed now. For the same reasons, door samples or displays may not represent the exact color of cabinets received at the time of shipment. Consumers should also read all cleaning agent instructions carefully before application.

Due to changes that occur from natural and environmental factors a cabinet is exposed to over its lifetime, we cannot be responsible for variations that occur in the finish of natural and engineered materials as they age.

Door Species & Characteristics

Timberlake Cabinetry incorporates solid hardwoods and hardwood veneers. These are natural materials with inherent variations. As such, our quality standards establish tolerance ranges for matching the hardwood pieces. Consumers should review actual samples in our selection centers and cabinet displays to help them establish realistic expectations of variations involving wood grain, color tones, presence of knots, and so forth.

These variations are at the heart of the unique natural beauty of finished hardwood. In addition, exposure of wood products to sunlight, some chemical agents, and smoke can cause wood colors to change over time.

Cherry

Cherry is a close-grained, multicolored hardwood with occasional pin knots and fine grain variations appearing as curls and waves. Natural characteristics of Cherry include:

- Small sap pockets, pin knots, and streaks
- Color ranges from pale yellow sapwood to deep reddish brown heartwood, with occasional shades of white, green, pink, or even grey
- Staining reveals subtle variations and colors that typically darken over time
- Variations within a single door

Duraform

Duraform uses highly-technological manufacturing processes to bond foils, vinyl films, and coatings to medium density fiberboard (MDF), high density fiberboard (HDF), and similar materials to achieve a product with exceptional stability, consistency and durability.

- The finish, color, and texture are consistent throughout the surface
- The surface is highly durable and easy to clean
- Materials are resistant to humidity and fading
- Refer to page 35 for standard cabinet box construction

Maple

Maple is an exceptionally hard, finely grained wood species with a fine, even texture. Darker stains will moderate the color variance, lighter stains mellow with golden hues over time. Natural characteristics of Maple include:

- Light blonde tones to dark reddish brown tones
- Small mineral streaks of light blonde or reddish brown that darken with stain
- Wavy, curly bird's-eye, or burl graining as well as worm tracking across the grain that will darken when stained
- Variations within a single door

Painted

Painted finishes combine hardwoods and engineered materials including solid wood, medium density fiberboard (MDF), high density fiberboard (HDF), and similar materials to achieve a product with superior stability, consistency, coverage, and durability. Painted door features include:

- Joint lines caused by the natural expansion and contraction of wood
- A natural aging process that may change the tone of paint colors over time

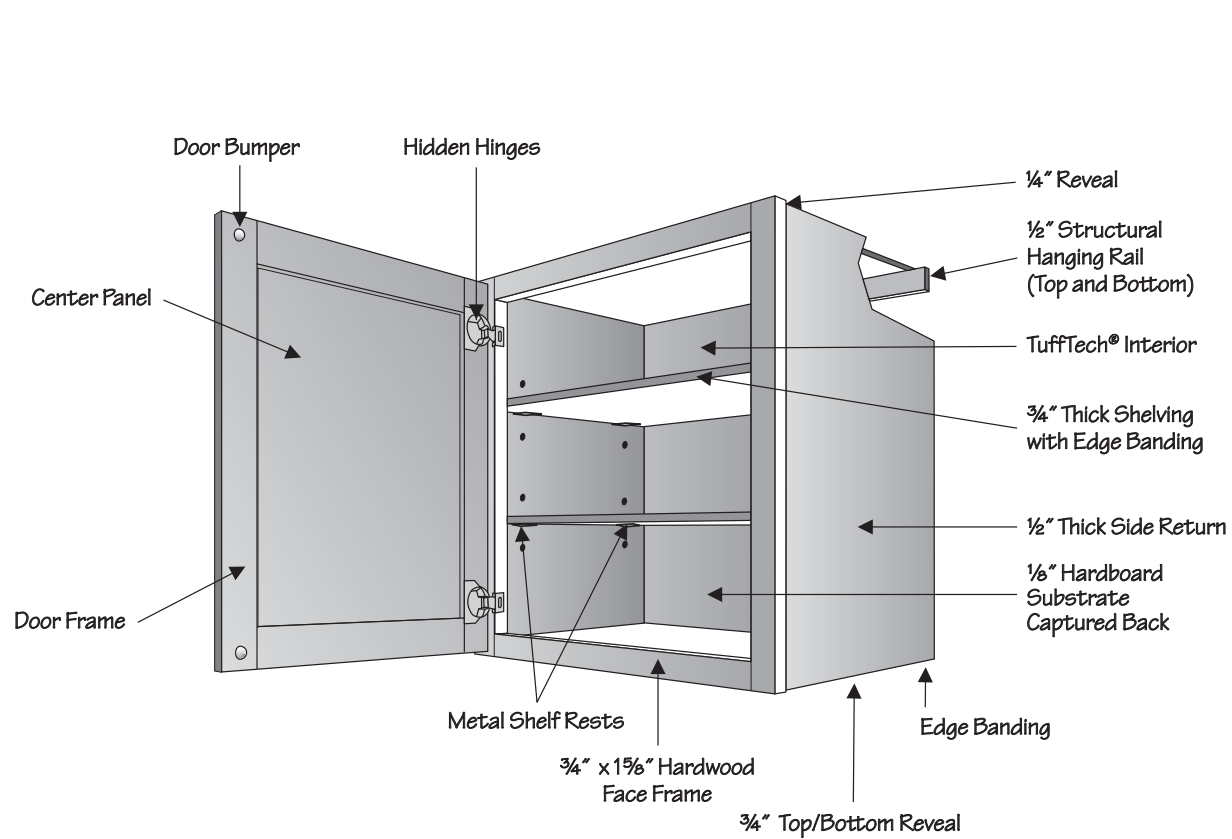
Thermofoil

Thermofoil is thick vinyl film bonded to warp-resistant engineered wood which allow cabinet doors and drawer fronts to exhibit the same styling and detail found in solid wood doors.

- The color is consistent throughout the film
- The core is medium density fiberboard (MDF) with a melamine back
- The surface is durable, easy to clean, and especially resistant to chipping and cracking

Wall Cabinet Construction

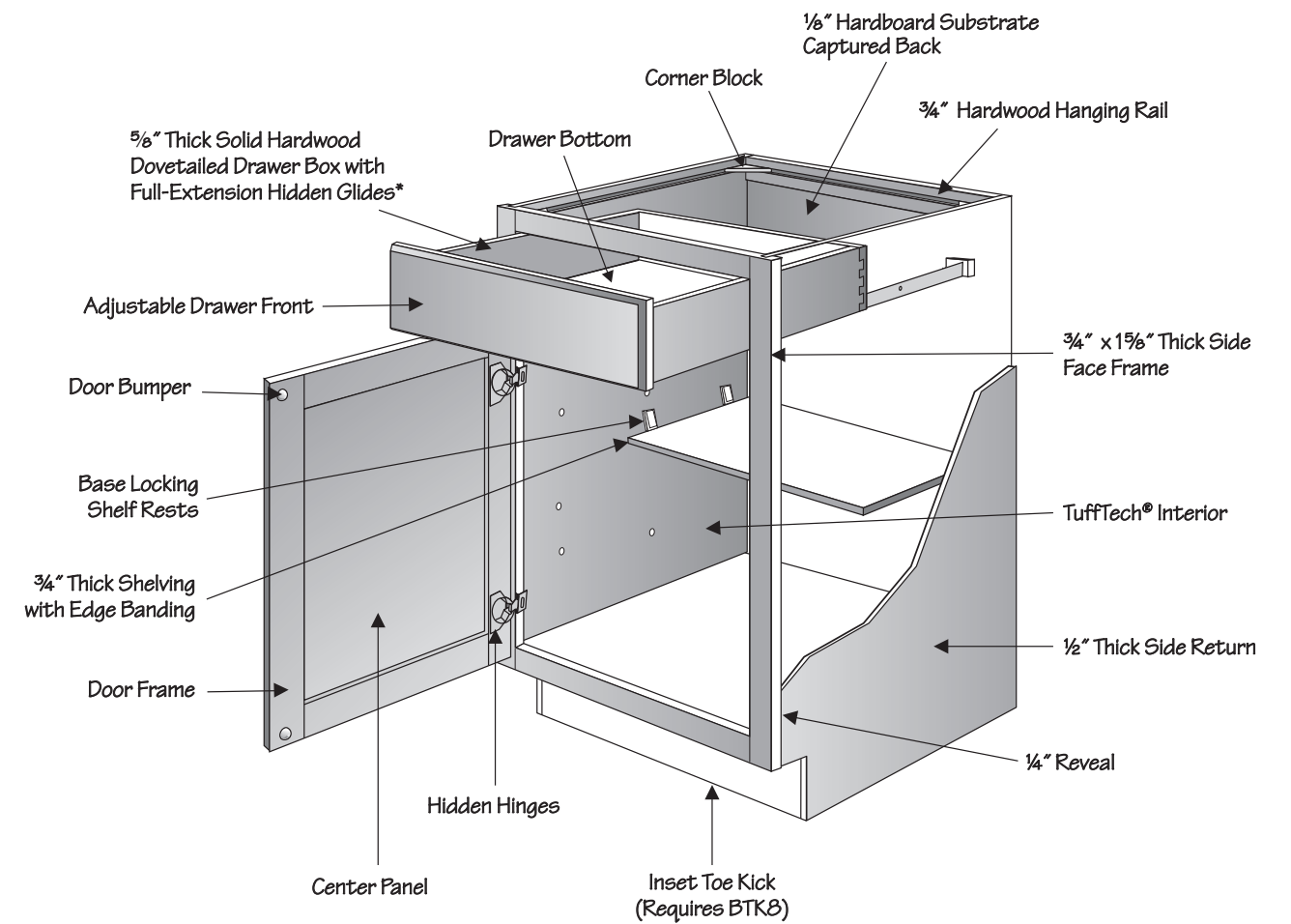
The drawing below illustrates and identifies the parts of a standard Portfolio Select Series or Portfolio Series wall cabinet.



NOTE: Single door wall cabinets must be ordered hinged left or right and can be reversed in the field.

Base Cabinet Construction

The drawing below illustrates and identifies the parts of a standard Portfolio Select Series or Portfolio Series base cabinet.



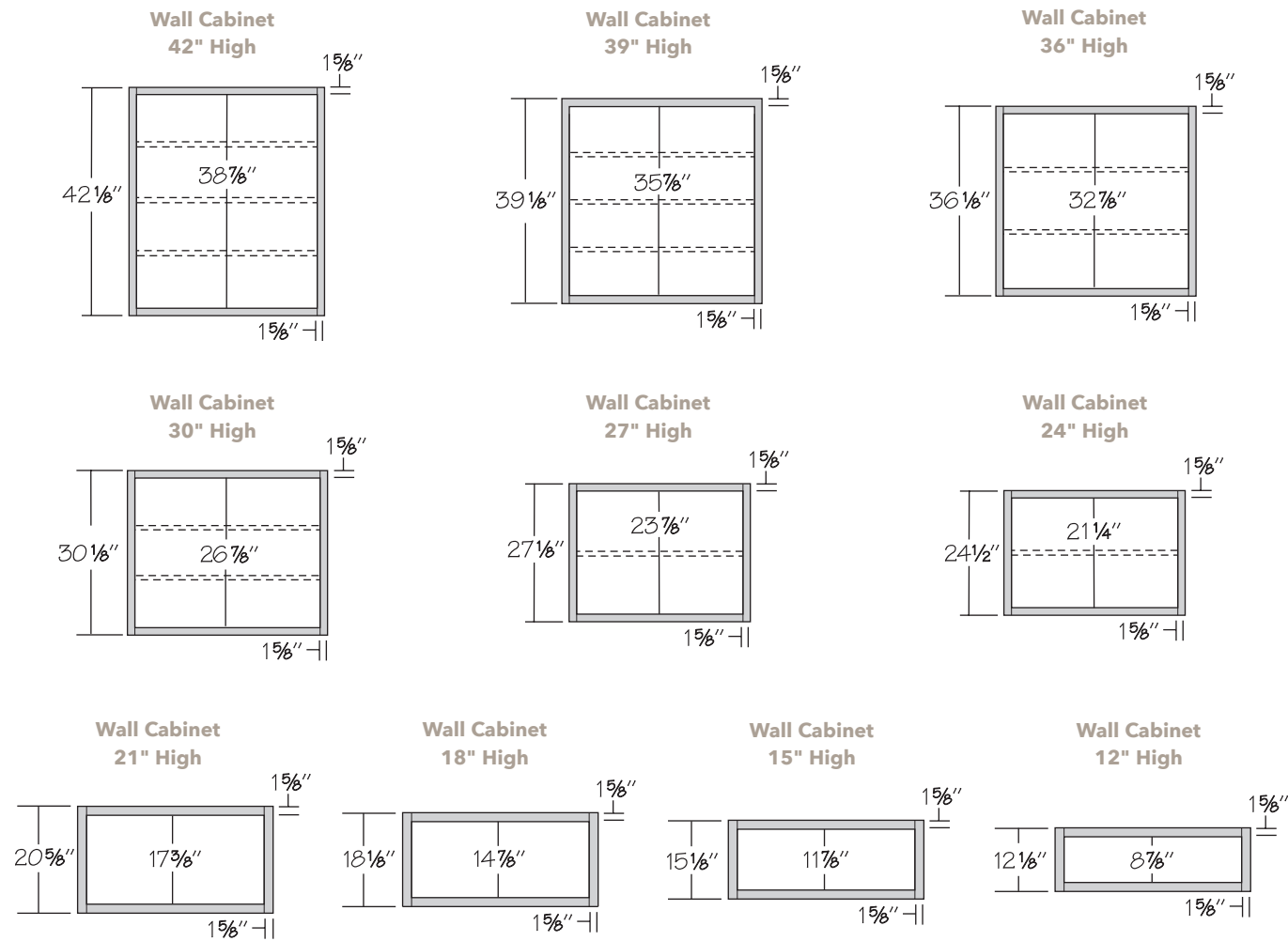
*Portfolio Series features engineered wood drawer with side-mounted drawer glides.

NOTE: Single door base cabinets are hinged left and can be reversed in the field.

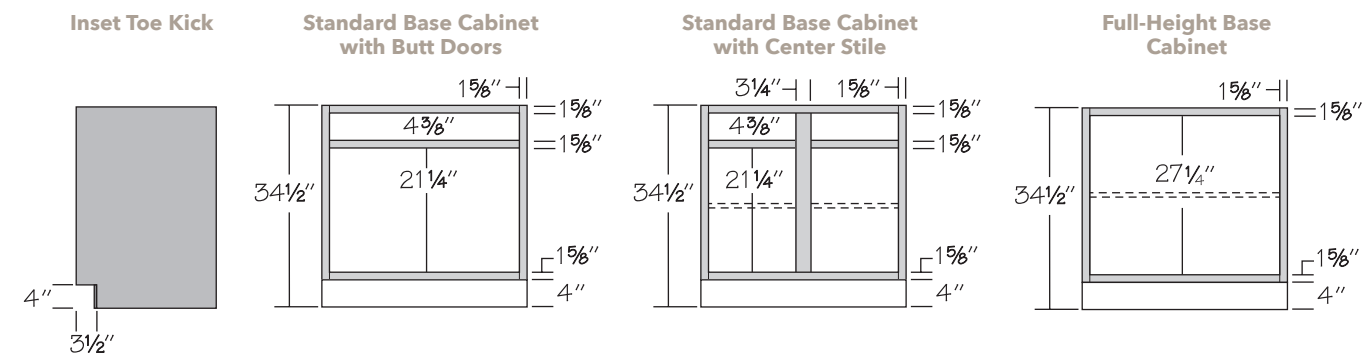
Cabinet Dimensions

These illustrations specify dimensions of vertical stiles and horizontal rails, inset toe kick, cabinet heights, and standard interior opening heights.

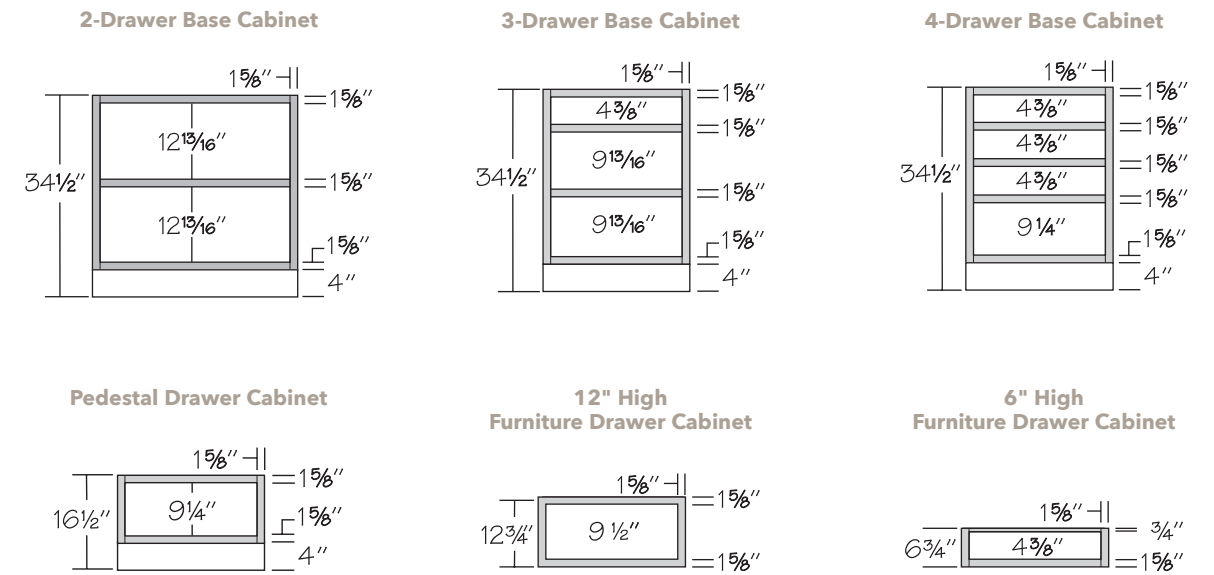
Wall Cabinets



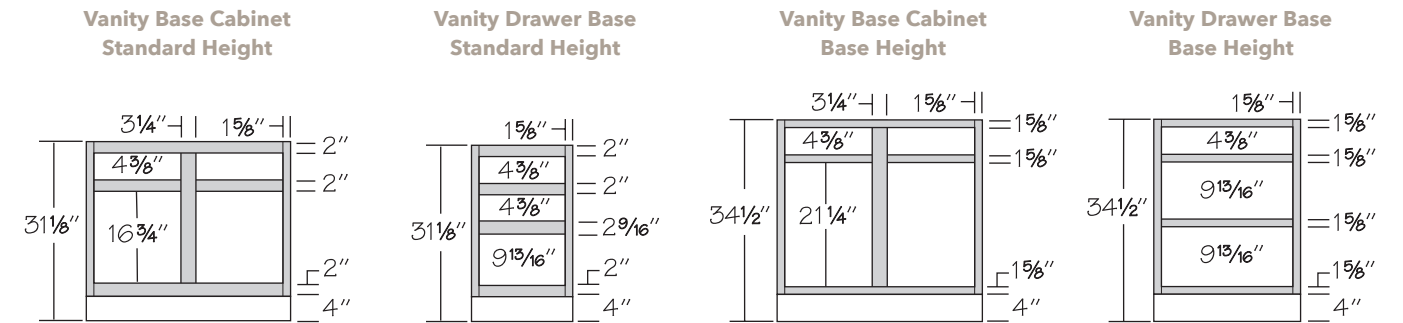
Base Cabinets



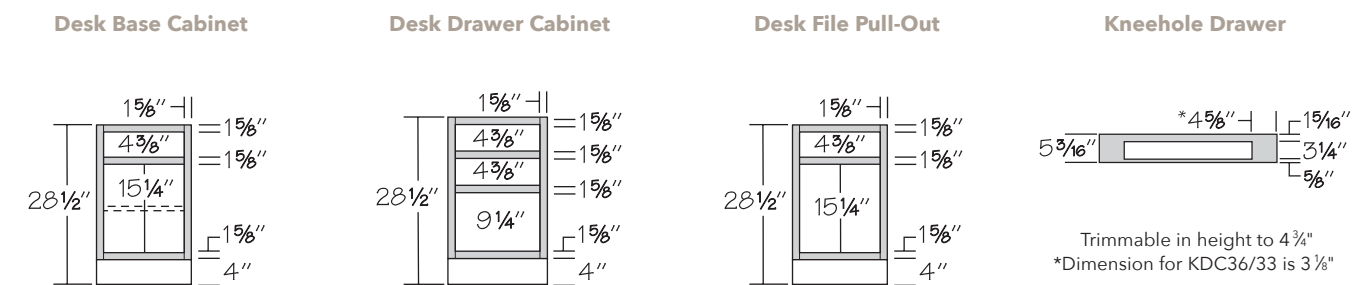
Drawer Base Cabinets

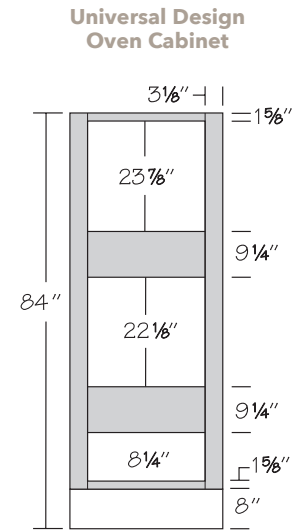
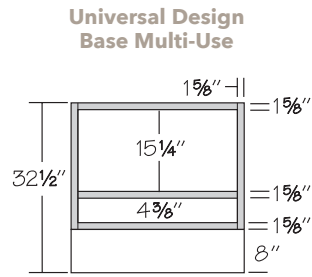
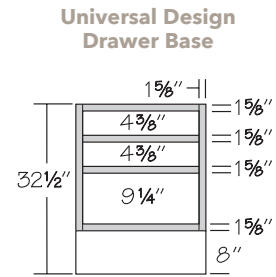
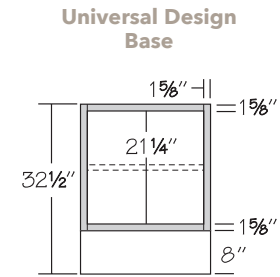


Vanity Cabinets

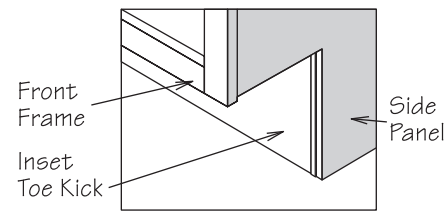
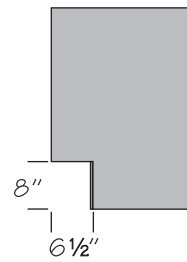


Desk Cabinets

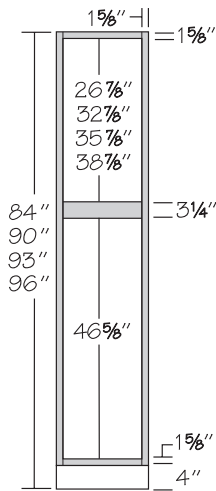




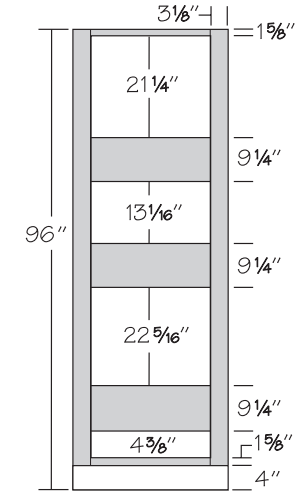
Universal Design Inset Toe Kick



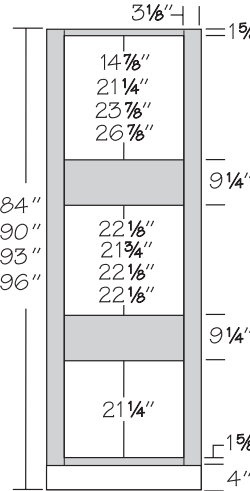
Vanity Linen & Utility Cabinets



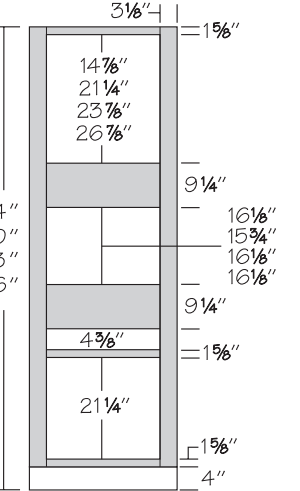
Oven Microwave Cabinet*



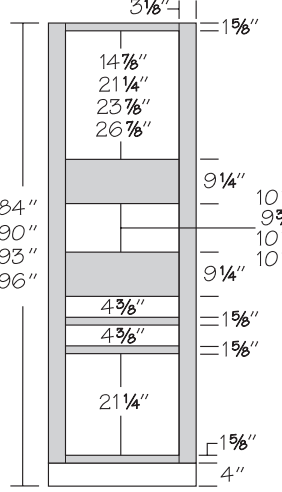
Single Oven Cabinet 4 Butt Doors*



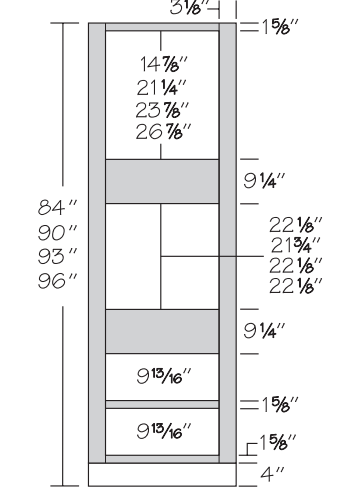
Single Oven Cabinet 4 Butt Doors, 1 Drawer*



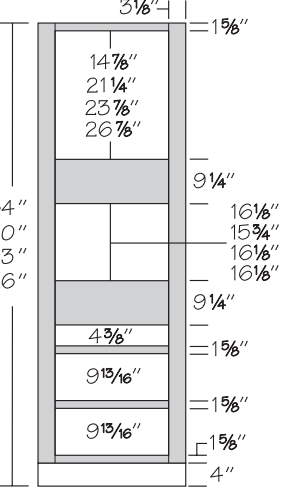
Single Oven Cabinet 4 Butt Doors, 2 Drawers*



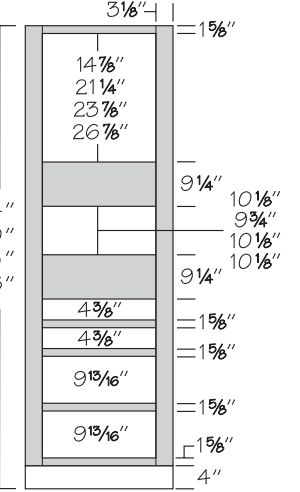
Single Oven Cabinet 2 Butt Doors, 2 Large Drawers*



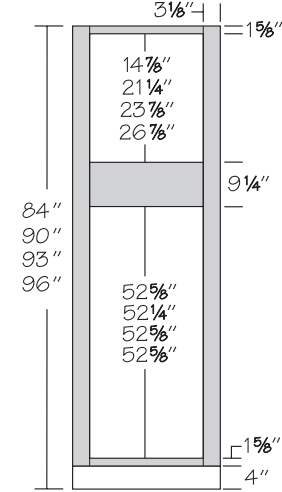
Single Oven Cabinet 2 Butt Doors, 3 Drawers*



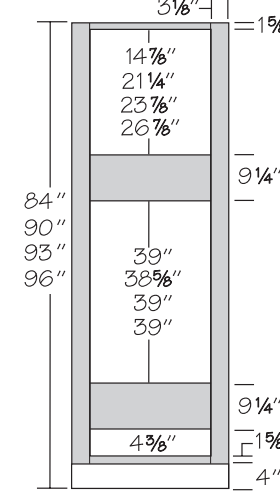
Single Oven Cabinet 2 Butt Doors, 4 Drawers*



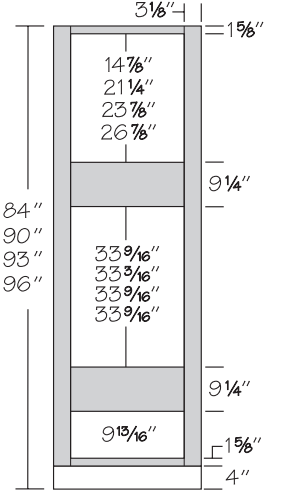
Double Oven Cabinet No Drawer*



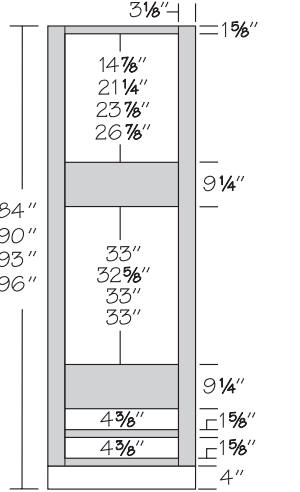
Double Oven Cabinet 1 Drawer*



Double Oven Cabinet 1 Large Drawer*

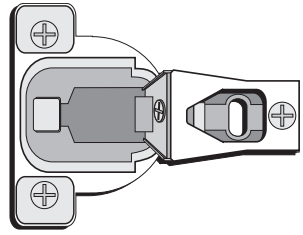


Double Oven Cabinet 2 Drawers*



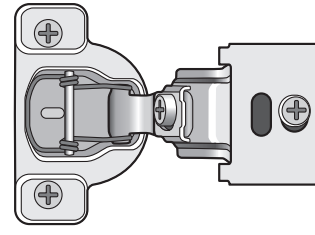
*Actual height of oven opening shown. For actual width, maximum width and maximum height dimensions, please refer to Cut Out Dimensions Chart in specific cabinet SKU box.

6-Way Adjustable Standard Overlay Door Hinge



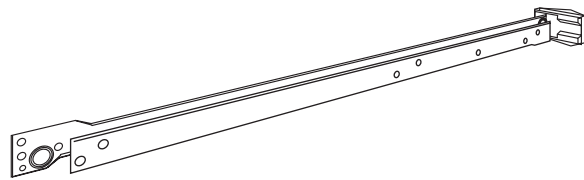
All steel construction with nickel-plated finish, $\frac{3}{16}$ " standard overlay hinge with self-closing feature that allows door to close unassisted when approximately 20-30 degrees open. Hinge allows less than $\frac{3}{16}$ " frame-to-door gap. Six-way adjustability allows superior in/out adjustment of $\frac{1}{8}$ ", up/down adjustment of $\frac{1}{4}$ " and side-to-side adjustment of $\frac{1}{8}$ ". Hinges permit doors to open to approximately 105 degrees. Exceeds industry standard for durability. **Standard feature on all standard overlay Portfolio Select Series and Portfolio Series door styles.**

6-Way Adjustable Full Overlay Door Hinge



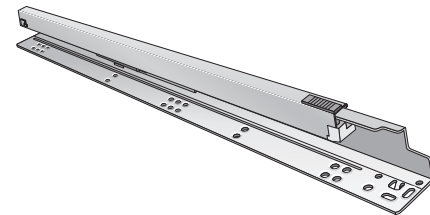
All steel construction with nickel-plated finish, $1\frac{1}{16}$ " full overlay hinge with self-closing feature that allows door to close unassisted when approximately 20-30 degrees open. Hinge allows less than $\frac{3}{16}$ " frame-to-door gap. Six-way adjustability allows superior in/out adjustment of $\frac{1}{8}$ ", up/down adjustment of $\frac{1}{4}$ " and side-to-side adjustment of $\frac{1}{4}$ ". Hinges permit doors to open to approximately 105 degrees. Exceeds industry standard for durability. **Standard feature on all full overlay door styles.**

Side-Mounted Drawer Glides



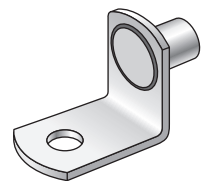
This glide system features twin self-aligning side-mounted drawer glides. They are constructed of epoxy coated steel for quiet opening and closing. Rollers are made of Delrin for smooth operation. **The side-mounted glides are a standard feature on all cabinet drawers in the Portfolio Series. Portfolio Select and Portfolio feature side-mounted glides on all sliding shelves.**

Full-Extension Hidden Glides



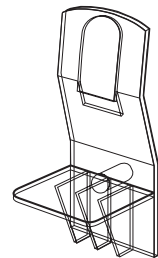
The full-extension hidden glide system features dual-telescoping glide members that are supported by precision roller-carriage bearings providing smooth, stable and quiet operation. This glide system opens fully to provide complete access to drawer contents and features an integrated self-closing mechanism. **Standard feature on Portfolio Select Series. Available as an upgrade on Portfolio Series.**

Metal Shelf Rest



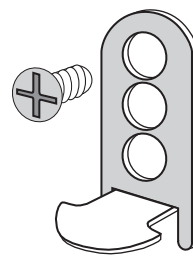
$\frac{1}{4}$ " steel, nickel plated. Standard feature on all wall cabinets, bookshelves, Open Frame, and Prairie Frame Door cabinets.

Base Locking Shelf Rest



Locks shelves in place and prevents shelves from sliding. Designed to allow easy shelf removal. Molded from clear high-strength polycarbonate. Standard feature on all base and tall cabinets.

Mullion Shelf Rest

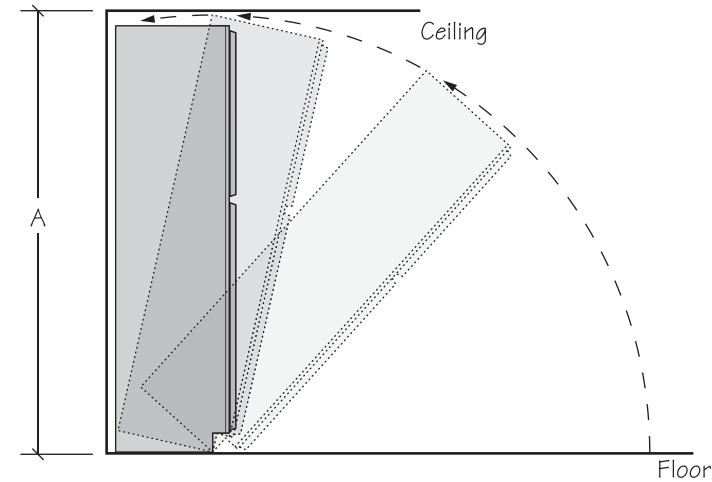


Allows for superior alignment of shelf with mullion. Metal construction. Six position adjustable. Standard feature on Horizontal Frame and Mullion Frame Door cabinets.

Ceiling Height Requirements

This illustration specifies the ceiling height requirements for tall cabinets (linen, utility, and oven).

Requirements for Tall Cabinets



Height	Cabinet Depth	Minimum Ceiling Height A
84"	12"	84 $\frac{1}{16}$ "
84"	18"	85 $\frac{1}{4}$ "
84"	24"	86 $\frac{1}{2}$ "
90"	12"	90 $\frac{1}{2}$ "
90"	18"	91 $\frac{3}{8}$ "
90"	24"	92 $\frac{5}{8}$ "
93"	12"	93"
93"	18"	93"
93"	24"	93"
96"	12"	96"
96"	18"	96"
96"	24"	96"

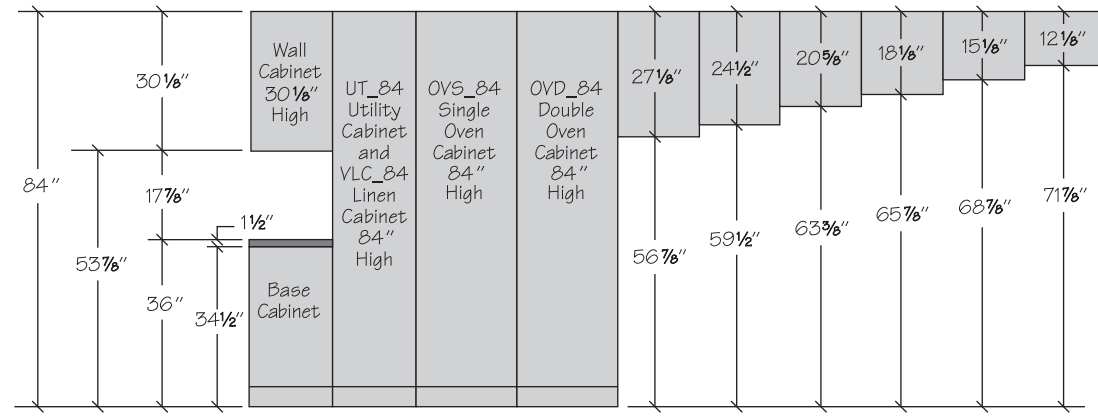
Notes:

- 93" and 96" high tall cabinets have 4" toe kick assembly shipped inside the cabinet

Installation Height Guidelines

These illustrations specify dimensions of the height guidelines for top alignment of wall and tall cabinets (linen, utility, and oven) installation.

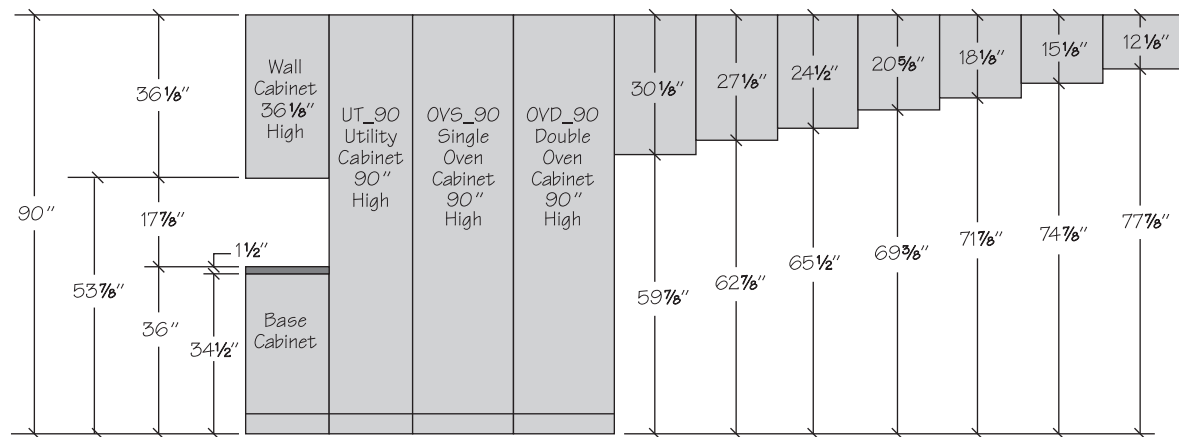
84" Top Alignment Cabinet Installation



Notes:

- 84" top alignment cabinet installation includes wall cabinets (30 $\frac{1}{8}$ " high) installed 53 $\frac{7}{8}$ " above the finished floor, allowing 17 $\frac{1}{8}$ " clearance between the wall cabinets and a standard countertop height of 36"
- Tall cabinetry (linen, utility, and oven) is 84" high
- **When selecting cabinetry for installation above or near any appliance, refer to the appliance manufacturer's specifications for clearance and venting requirements**

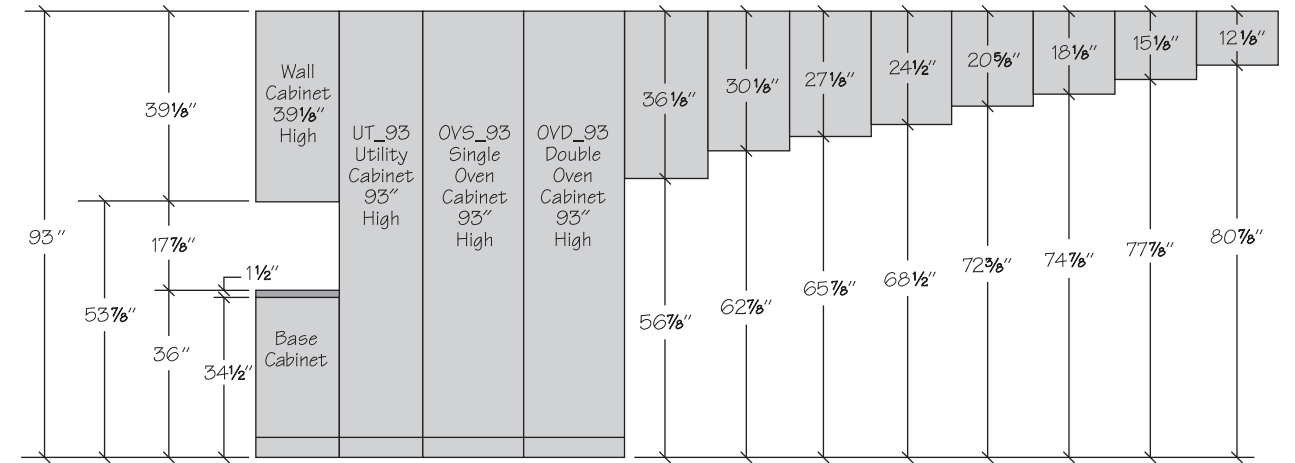
90" Top Alignment Cabinet Installation



Notes:

- 90" top alignment cabinet installation includes wall cabinets (36 $\frac{1}{8}$ " high) installed 53 $\frac{7}{8}$ " above the finished floor, allowing 17 $\frac{1}{8}$ " clearance between the wall cabinets and a standard countertop height of 36"
- Tall cabinetry (utility and oven) is 90" high
- **When selecting cabinetry for installation above or near any appliance, refer to the appliance manufacturer's specifications for clearance and venting requirements**

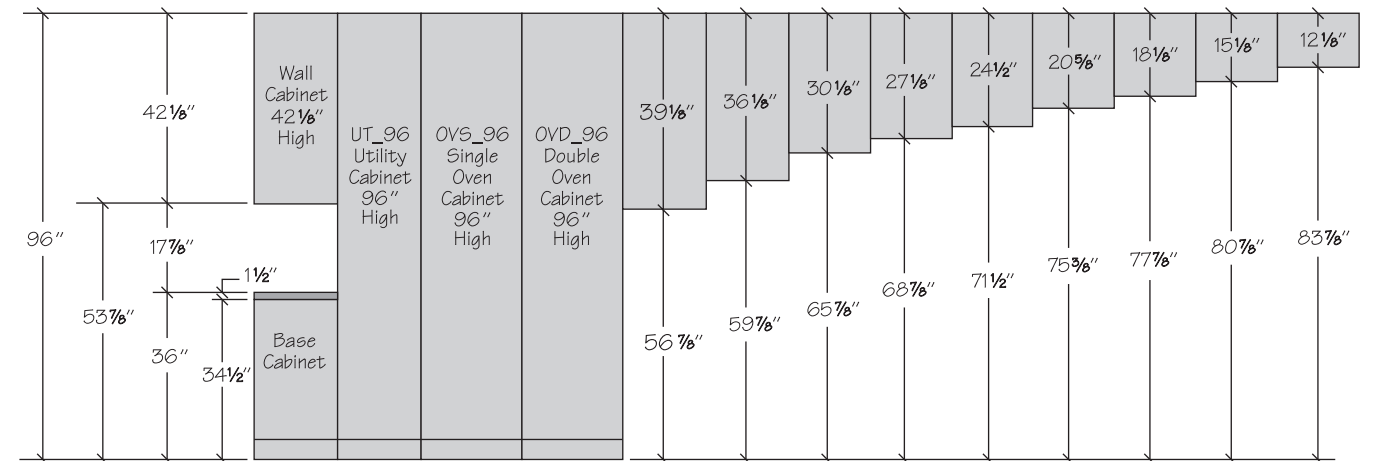
93" Top Alignment Cabinet Installation



Notes:

- 93" top alignment cabinet installation includes wall cabinets (39 $\frac{1}{8}$ " high) installed 53 $\frac{7}{8}$ " above the finished floor, allowing 17 $\frac{1}{8}$ " clearance between the wall cabinets and a standard countertop height of 36"
- Tall cabinetry (utility and oven) is 93" high
- **When selecting cabinetry for installation above or near any appliance, refer to the appliance manufacturer's specifications for clearance and venting requirements**

96" Top Alignment Cabinet Installation



Notes:

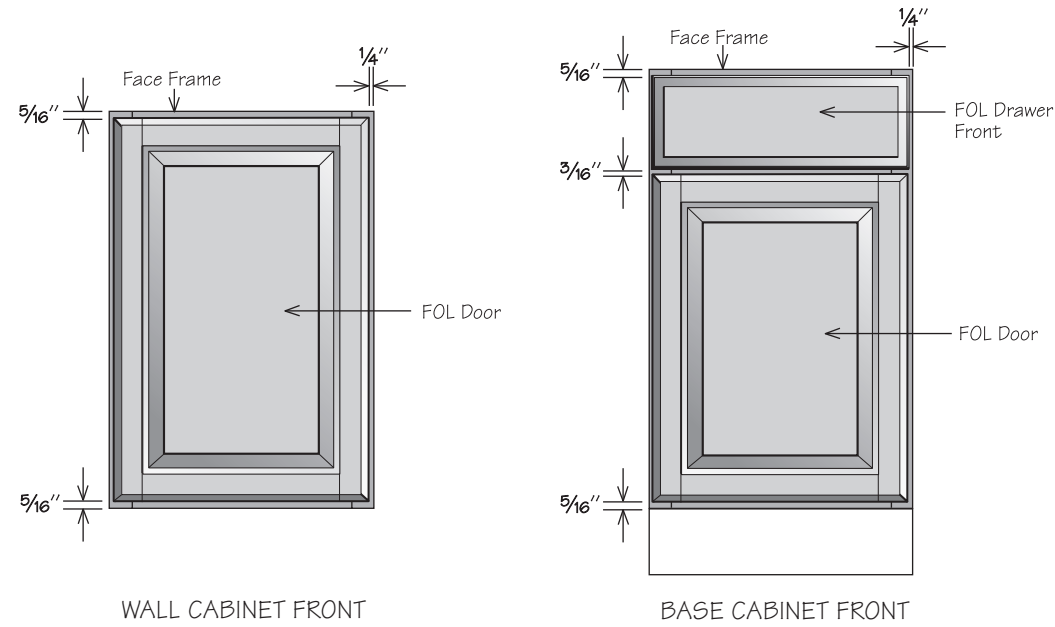
- 96" top alignment cabinet installation includes wall cabinets (42 $\frac{1}{8}$ " high) installed 53 $\frac{7}{8}$ " above the finished floor, allowing 17 $\frac{1}{8}$ " clearance between the wall cabinets and a standard countertop height of 36"
- Tall cabinetry (utility and oven) is 96" high
- **When selecting cabinetry for installation above or near any appliance, refer to the appliance manufacturer's specifications for clearance and venting requirements**

Overlay Dimensions

These illustrations specify the relationship between the cabinet face frame and standard overlay or full overlay doors. They show the amount of the cabinet face frame that is visible when standard overlay or full overlay doors are selected.

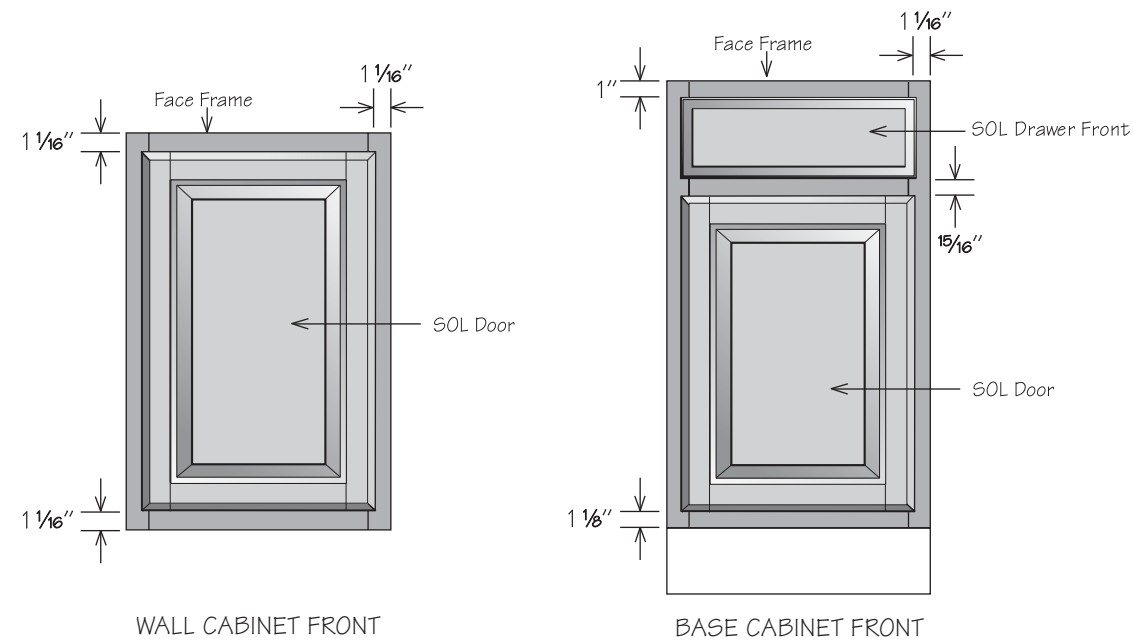
Full Overlay

Full overlay (FOL) doors are sized to cover nearly all of the cabinet face frame. Full overlay door styles require decorative hardware. **To facilitate proper door operation, include at least a 1" filler between the hinged side of full overlay door styles and deeper adjacent objects including cabinets, walls, appliances, and countertops.**

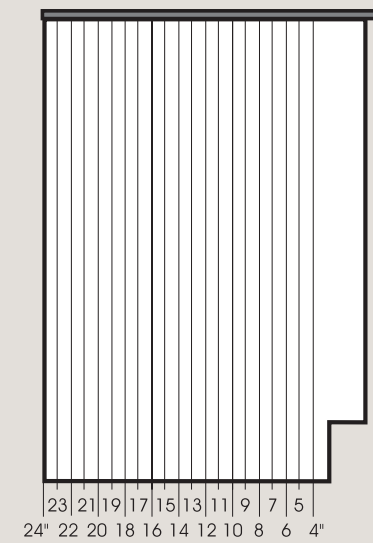
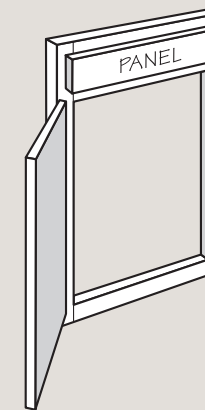
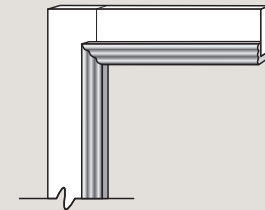
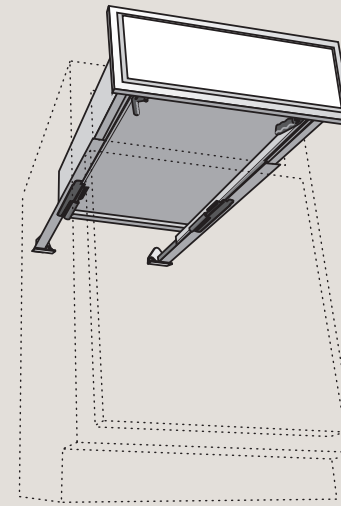


Standard Overlay

Standard overlay (SOL) doors are sized to show about an inch of the cabinet face frame, giving the door some visual depth. Some door styles do not require decorative hardware.



CONSTRUCTION OPTIONS



Construction Options Legend NEW | OPTIONS

Icons used in this guide are shown below and indicate which construction options are available for a particular product.

- APC All Plywood Construction Option
- CFO Cabinet Front Only Option
- CCDW CushionClose Full-Extension Dovetail Drawer Option
- CCH CushionClose Hinge Option
- CCSS CushionClose Sliding Shelf Option
- FADW Full-Extension Dovetail Drawer Option
- FASS Full-Extension Dovetail Sliding Shelf Option
- FDS **Full Depth Shelf Option**
- FE Furniture Ends Option
- ID Increased Depth Option
- IF Inverted Frame Option
- MI Matching Interior Option
- PE Plywood Ends Option
- RD Reduced Depth Option
- RTK Recessed Toe Kick Option
- VTD **Void Top Drawer Option**
- VDO Void Door Option

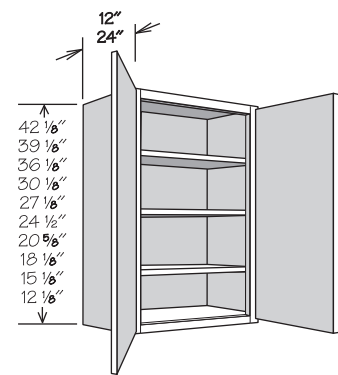
Example:

When a square ■ or diamond ♦ symbol is in an option box, it indicates that the construction option is ONLY available for SKUs listed with that symbol.

All options without a symbol are available for all SKUs.

In this example, the ♦ diamond indicates that only W3015 BUTT and W3015 BUTT SD are available with Increased Depth (ID), while the ■ square indicates that only the non-SD cabinets are available with Matching Interior (MI) and Void Door (VDO) options.

Wall Cabinets + 2 Butt Doors



- APC
- CCH
- CFO
- FE
- ID ♦
- MI ■
- PE
- RD
- VDO ■

12" DEEP

- W3015 BUTT ■ ♦
- W3015 BUTT SD ♦

24" DEEP

- W3015 X 24DP BUTT ■
- W3015 X 24DP BUTT SD ♦

Premium Finish Cabinet Option

Our premium finishes accentuate the detailing and textures of the cabinetry.

- Paints that emphasize lines and rich detail with an inviting texture
- Glazes that settle into the recesses, corners, and grooves to add definition and a distinctive patina
- Glazes are applied over either a wood stain or painted base

PREMIUM FINISH	BASE FINISH	GLAZE	AVAILABLE COLLECTIONS
Maple Auburn Glaze	Maple Cognac	Deep Brown	Charleston, Colebrook, Cumberland, Kinsdale, Rushmore, Scottsdale, Sierra Vista, Tahoe, Windsor, and Wyoming
Maple Mocha Glaze	Maple Spice	Deep Brown	Charleston, Colebrook, Cumberland, Kinsdale, Rushmore, Scottsdale, Sierra Vista, Tahoe, Windsor, and Wyoming
Painted Ember Glaze	Painted Harbor	Pewter	Charleston, Colebrook, Kinsdale, Maddox , Rushmore, Sierra Vista, Tahoe, Windsor, and Wyoming
Painted Hazelnut Glaze	Painted Silk	Deep Brown	Charleston, Colebrook, Kinsdale, Maddox , Rushmore, Sierra Vista, Tahoe, Windsor, and Wyoming
Painted Pewter Glaze	Painted Linen	Deep Gray	Charleston, Colebrook, Kinsdale, Maddox , Rushmore, Sierra Vista, Tahoe, Windsor, and Wyoming

PREMIUM FINISH	FINISH	AVAILABLE COLLECTIONS
Painted Boulder	Dark Gray Paint	Charleston, Colebrook, Kinsdale, Maddox , New Haven, Rushmore, Sierra Vista, Sonoma, Tahoe, Tucson, Windsor, and Wyoming
Painted Harbor	Light Gray Paint	Charleston, Colebrook, Kinsdale, Maddox , New Haven, Rushmore, Sierra Vista, Sonoma, Tahoe, Tucson, Windsor, and Wyoming
Painted Linen	Crisp White Paint	Charleston, Colebrook, Kinsdale, Maddox , New Haven, Rushmore, Sierra Vista, Sonoma, Tahoe, Tucson, Windsor, and Wyoming
Painted Silk	Warm White Paint	Charleston, Colebrook, Kinsdale, Maddox , New Haven, Rushmore, Sierra Vista, Sonoma, Tahoe, Tucson, Windsor, and Wyoming
Painted Stone	Soft Gray Paint	Charleston, Colebrook, Kinsdale, Maddox , New Haven, Rushmore, Sierra Vista, Sonoma, Tahoe, Tucson, Windsor, and Wyoming

All Plywood Construction Option

APC

All Plywood Construction Option includes:

- ½" plywood sides, floors, and cabinet tops
- ¾" plywood shelves with edge banding
- ⅛" plywood captured back
- ½" plywood inset toe kick
- ½" plywood corner blocks (excluding BER/BSS/CAR/CBS/CSB)

Notes:

- **Portfolio door styles require Full-Extension Drawer Option upgrade**
- Standard base cabinets convert to full-depth plywood shelves
- Available for individual cabinets or entire kitchen
- Cannot be ordered with Plywood Ends Option
- Available with Matching Interior Option; please refer to the product SKU box for details **MI**
- Cabinets with standard interior feature natural woodgrain sides
- Cabinets with the Matching Interior Option (MI) or standard matching interior feature BeautyGuard sides finished to match cabinet box exterior
- Toe kick support blocks are not plywood
- Recommended for cabinets ordered with the Premium Finish Option
- All Plywood Construction refers to the cabinet box components and shelving as detailed above (certain parts and accessories are not available with this construction option).
- Plywood can consist of a combination of veneer and medium density fiberboard (MDF) layers to achieve superior product stability and finish quality. Plywood components meet the ANSI/HPVA hardwood and decorative plywood standards (www.decorativehardwoods.org).

Plywood Ends Option

PE

Plywood Ends Option includes:

- ½" plywood cabinet sides

Notes:

- Exterior sides finished to match specific cabinet box finish
- Available for individual cabinets or entire kitchen
- Cannot be ordered with All Plywood Construction or Furniture Ends
- Available with Matching Interior Option; please refer to the product SKU box for details **MI**
- Cabinets with standard interior feature natural woodgrain sides
- Cabinets with the Matching Interior Option (MI) or standard matching interior feature BeautyGuard sides finished to match cabinet box exterior
- Recommended for cabinets ordered with the Premium Finish Option
- Plywood can consist of a combination of veneer and medium density fiberboard (MDF) layers to achieve superior product stability and finish quality. Plywood components meet the ANSI/HPVA hardwood and decorative plywood standards (www.decorativehardwoods.org).

CONSTRUCTION OPTION	PORTFOLIO SELECT & PORTFOLIO		
	Standard Construction	Plywood Ends Option (PE)	All Plywood Construction Option (APC)
Cabinet Sides	½" Engineered Wood	½" Plywood Exterior	½" Plywood Exterior
Cabinet Floor	½" Engineered Wood	½" Engineered Wood	½" Plywood
Cabinet Top (Wall Cabinets Only)	½" Engineered Wood	½" Engineered Wood	½" Plywood
Cabinet Back	⅛" Hardboard Substrate Captured	⅛" Hardboard Substrate Captured	⅛" Plywood Captured
Face Frame	¾" x 1⅝" Hardwood	¾" x 1⅝" Hardwood	¾" x 1⅝" Hardwood
Inset Toe Kick	½" Engineered Wood	½" Engineered Wood	½" Plywood
Corner Blocks (excluding BER/BSS/CAR/CBS/CSB cabinets)	½" Engineered Wood	½" Engineered Wood	½" Plywood
Shelves	¾" Wall and ¾" Half-Depth Base Engineered Wood with Edge Banding	¾" Wall and ¾" Half-Depth Base Engineered Wood with Edge Banding	¾" Wall, ¾" Full-Depth on 9"- 24" Wide Base, ¾" Half-Depth on 27" Wide, and larger base cabinets all featuring Plywood with Edge Banding
Wall Cabinet Hanging Rails	½" Engineered Wood Top and Bottom Rails	½" Engineered Wood Top and Bottom Rails	½" Plywood Top and Bottom Rails
Base Cabinet Hanging Rails	¾" Hardwood Top Rail ½" Engineered Wood Bottom Rail	¾" Hardwood Top Rail ½" Engineered Wood Bottom Rail	¾" Hardwood Top Rail ½" Plywood Bottom Rail
Finishing System for Cabinets with Standard Interior	TuffTech Natural Woodgrain Look	TuffTech Natural Woodgrain Look	Natural Woodgrain Look
Specialty Door Cabinets (SD) or Matching Interior Cabinet Option	TuffTech Finished to Match Cabinet Box Exterior	TuffTech Top, Bottom, Shelves, and Back with BeautyGuard Side Panels; All Finished to Match Cabinet Box Exterior	BeautyGuard Finished to Match Cabinet Box Exterior

	SIDE-MOUNT GLIDES	FULL-EXTENSION GLIDES	CUSHIONCLOSE FULL-EXTENSION GLIDES
DRAWER			
Portfolio Select	–	Standard	Upgrade (CCDW)
Portfolio	Standard	Upgrade (FADW)	
SLIDING SHELF			
Portfolio Select	Standard	Upgrade (FASS)	Upgrade (CCSS)
Portfolio			
		6-WAY ADJUSTABLE	CUSHIONCLOSE
HINGE			
Portfolio Select	Standard		Upgrade (CCH)
Portfolio			

CushionClose Hinge Option

CCH

The CushionClose Hinge Option features a slow-closing mechanism that helps reduce slams and noise.

Notes:

- Available for Portfolio Select and Portfolio door styles
- Not for use on the following SKUs: BER_, BSS_, CAR_, WER_, or WTH_

Full-Extension Drawer Option

FADW

The Full-Extension Drawer Option features 5/8" dovetail hardwood drawers and Full-Extension Hidden Glides.

Notes:

- Available for Portfolio door styles only (standard on Portfolio Select)
- Features steel ball bearings providing quiet, stable operation
- 21" extension provides full access to drawer contents

CushionClose Glide Option

CCDW

The CushionClose Glide Option provides all of the features and benefits of the Full-Extension Dovetail Glide Option with the addition of an integrated slow-close mechanism that reduces slamming and noise.

Notes:

- Available for Portfolio Select and Portfolio door styles
- Features 5/8" dovetail hardwood drawers
- Unique oil damper technology for whisper-quiet operation
- Wastebasket cabinets with this upgrade option feature heavy-duty, 132-pound rated, Full-Extension CushionClose Glides
- Decorative hardware strongly recommended

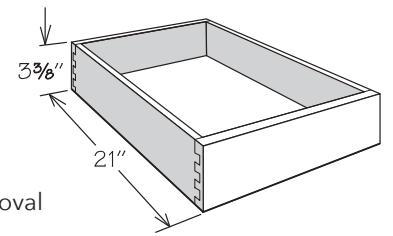
Full-Extension Deep Dovetail Sliding Shelf Option

FASS

The Full-Extension Deep Dovetail Sliding Shelf Option features Full-Extension Hidden Glides on a 3 3/8" high and 5/8" thick hardwood dovetail sliding shelf in a natural finish with printed MDF bottoms.

Notes:

- Available for Portfolio Select and Portfolio door styles
- Features 3 3/8" high sliding shelf
- Features 5/8" dovetail hardwood drawer with MDF bottoms
- Precision smooth-running synthetic roller carriages
- Self-latching front-locking devices have easy-release levers for sliding shelf removal



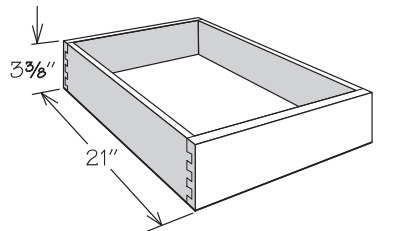
CushionClose Deep Dovetail Sliding Shelf Option

CCSS

The CushionClose Deep Dovetail Sliding Shelf Option provides all the features and benefits of the Full-Extension Dovetail Sliding Shelf Option with the addition of an integrated slow-close mechanism that reduces slamming and noise.

Notes:

- Available for Portfolio Select and Portfolio door styles
- Features 3 3/8" high sliding shelf
- Features 5/8" dovetail hardwood drawers with MDF bottoms
- Unique oil damper technology for whisper-quiet operation



Reduced Depth Option

RD

The Reduced Depth Option should be used when ordering less than standard depth cabinets. The Reduced Depth Option is available in 1" increments; minimum depth is 4". Vanity and desk cabinets will reduce to standard reduced depth increments (e.g. vanity cabinets with RD-20 will measure 20" in depth).

Orders specifying Reduced Depth Option must show the total cabinet depth.

Example: Cabinet: B24
Option: RD-17 (reduced to 17" deep)


Notes:

- There is a potential tipping hazard for reduced depth cabinets until they are mounted to a wall
- Full-depth shelves are reduced in 1" increments to match Reduced Depth Option selected on cabinet(s)
- Half-depth shelves are reduced in 1" increments for cabinets reduced to 11" or less
- Peninsula Base cabinets reduced to 11" or less will not have an inset toe kick
- Universal Design cabinets reduced to 9" or less will not have an inset toe kick
- Standard base cabinets and base bookshelves reduced to 8" or less are not available with the Recessed Toe Kick Option (RTK)
- Universal Design base cabinets reduced to 11" or less are not available with the Recessed Toe Kick Option (RTK)
- All cabinets reduced to 5" or less will not have an inset toe kick
- Reduced depth restrictions:
 - » Specialty Two-Drawer Base cabinets are only available with RD-23 through RD-21
 - » 24" Deep Wall Top Hinge cabinets are only available with RD-23 through RD-8
 - » 12" Deep Wall Top Hinge cabinets are only available with RD-11 through RD-8
 - » Base End Angle (BEA12FH) cabinets are only available with RD-23 through RD-18
 - » Kneehole Drawer cabinets are only available with RD-20 through RD-12
 - » 24" Deep Furniture Drawer cabinets are only available with RD-23 through RD-13
- Adding the Reduced Depth Option does not remove adjustable shelves (where applicable)
- When ordering reduced depth accessories, specify the depth of the cabinet for which the accessory is intended (e.g., SK3624 RD-21 would be ordered for a UT3624 X 84 RD-21)

OPTION CODE	ACTUAL DIMENSION				
	Reduced Depth	Drawer Depth (Full Extension)	Drawer Depth (Side-Mounted)	Sliding Shelf Depth	Sliding Shelf Depth With FASS/CCSS Upgrade
RD-23	18"	18"	18"	18"	18"
RD-22	18"	18"	18"	18"	18"
RD-21	18"	18"	18"	16"	18"
RD-20	15"	15"	15"	16"	15"
RD-19	15"	15"	15"	16"	15"
RD-18	15"	15"	15"	15"	15"
RD-17	12"	12"	12"	14"	12"
RD-16	12"	12"	12"	13"	12"
RD-15	12"	12"	12"	12"	12"
RD-14	9 ⁷ / ₁₆ "	9"	9"	11"	9"
RD-13	9 ⁷ / ₁₆ "	9"	9"	10"	9"
RD-12	9 ⁷ / ₁₆ "	9"	9"	9"	9"
RD-11 to RD-6	No Drawer	No Drawer	Not Available	Not Available	Not Available
RD-5 or RD-4	No Drawer	No Drawer	Not Available	Not Available	Not Available

Increased Depth Option

ID

The Increased Depth Option is available for most Wall cabinets up to 36" wide and all Bookshelves (see individual cabinet specifications for  icon verifying this option availability). The Increased Depth Option is available in 1" increments; maximum depth is 24".

Orders specifying Increased Depth Option must show the total cabinet depth.

Example: Cabinet: W1530
Option: ID-14 (increased to 14" deep)

Notes:

Wall Cabinets

- Adjustable shelves are increased in 1" increments to match Increased Depth Option selected on cabinet(s)
- Wall cabinets increased up to and including 18" deep can be mounted using standard installation procedures
- Wall cabinets increased to more than 18" deep must be stacked, floor mounted, or installed over a refrigerator
- All increased depth cabinets must be securely attached in one of the following combinations: to studs in back wall and both sides OR to studs in back wall, one side and top (e.g. two adjacent cabinets or one adjacent cabinet and a wall)

Peninsula Wall (PW) and Blind Peninsula Wall (BLPW) Cabinets

- Increased depth PW and BLPW cabinets up to 15" deep may be mounted at ceiling height using standard installation procedures
- Adjustable shelves are increased in 1" increments to match Increased Depth Option selected on cabinet(s)
- PW and BLPW cabinets increased to more than 15" deep must be stacked or floor mounted
- When mounting cabinet at ceiling height, the cabinet must be securely attached to the ceiling rafters and to at least one other properly mounted cabinet or studs in wall
- Additional 2" x 4" bracing may be required above ceiling if cabinets are not located directly below a rafter
- Mount cabinet to the ceiling using mounting screws of sufficient length to go through ceiling treatment and into the rafter at least 1". Screws must be installed at both front and back of cabinet on 16" centers (maximum span), with at least four screws per cabinet

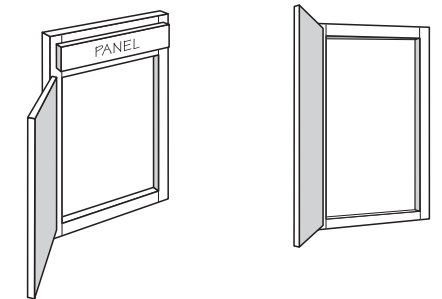
Cabinet Front Only Option

CFO

The Cabinet Front Only Option is available for most cabinets with a frame.

Notes:

- This option consists of the cabinet frame, door(s), drawer front(s), battens, and hinges
- Toe kicks are not included



Furniture Ends Option

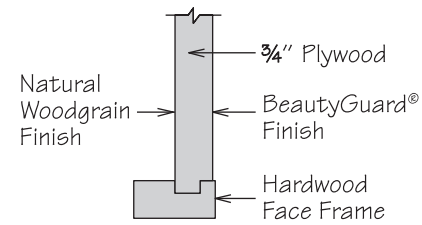
FE

Furniture Ends Option includes:

- ¾" plywood cabinet sides

Notes:

- Available on any Portfolio Select or Portfolio cabinets except Base End Angle (BEA24 FH) and Wall End Angle (WEA12) cabinets
- When the Furniture Ends Option is selected, both side panels convert to ¾" plywood sides except Base End Angle (BEA12 FH) cabinets which converts the 12" side panel only
- Available for individual cabinets
- Cabinets with standard interior feature natural woodgrain sides
- Cabinets with the Matching Interior Option (MI) or standard matching interior feature BeautyGuard sides finished to match cabinet box exterior
- May be combined with standard construction, All Plywood Construction and all other construction options except the Plywood Ends Option
- End panels are not required for exposed ends of cabinets with the Furniture Ends Option
- End panels are not required for installation of decorator matching doors to cabinets with the Furniture Ends Option
- Cabinet Angle Molding (CAM8) cannot be used with cabinets with the Furniture Ends Option
- Sink Front Return (SFR R/L) with the Furniture Ends Option will include a rabbetted front edge
- A seam will be visible between stacked cabinets and on 96" tall cabinets between the toe kick box and the cabinet. Recommendations to conceal this seam:
 - » Use decorative molding (e.g., Batten Molding or Ogee Pilaster Molding)
 - » Use a Column Filler or Wood Tall End Panel
- Plywood can consist of a combination of veneer and MDF layers to achieve superior product stability and finish quality. Plywood components meet the ANSI/HPVA hardwood and decorative plywood standards (www.hpva.org).



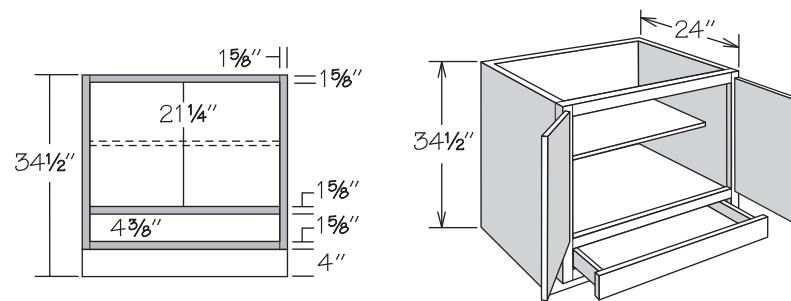
Inverted Frame Option

IF

The Inverted Frame Option is available for most standard base cabinets and base cabinets with accessories (see individual cabinet specifications for icon **IF** verifying this option availability).

Notes:

- Drawer(s) below full cabinet floor
- Adjustable shelf is included
- Available with the All Plywood Construction Option (APC), Plywood Ends Option (PE), Recessed Toe Kick (RTK), or Reduced Depth Option (RD)
- Available with CushionClose Full-Extension Drawer Option (CCDW) or the Dovetail Full-Extension Drawer Option (FADW)



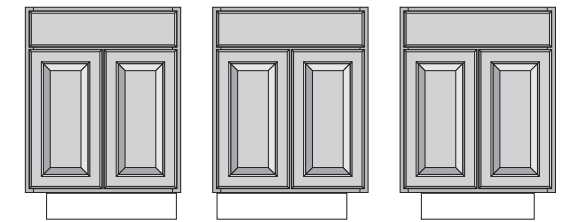
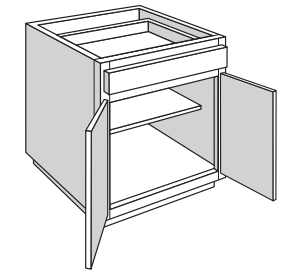
Recessed Toe Kick Option

RTK

The Recessed Toe Kick Option is available on most Base, Desk and Vanity base cabinetry (refer to individual cabinet specifications for **RTK** verifying this option availability). When the Recessed Toe Kick Option is selected, the end or ends to be recessed must be specified.

Notes:

- Recommended for cabinets at the end of a run, especially in island and peninsula designs
- Blind Corner Base cabinets are only available with the Recessed Toe Kick Both (RTKB) Option
- Base End Angle cabinets, 9" Base Pantry Pull-Out, 9" Base Pantry Pull-Out Utensil Storage, Base Tray Divider Pull-Out, TB9, and TB9 TDS base cabinets are not available with the Recessed Toe Kick Both Option
- Not available for base cabinets or Base Bookshelves with the Reduced Depth Option of RD-8 through RD-4
- Not available for universal design base cabinets with the Reduced Depth Option of RD-11 and lower
- For Peninsula Base cabinets, the working drawer side indicates the front of the cabinet in order to correctly select Recessed Toe Kick Right (RTKR) or Left (RTKL)
- Peninsula Base cabinets ordered with Recessed Toe Kick Option must be secured to the floor through the cabinet bottom into bracing secured to the floor
- Base toe kick required for front and any exposed side(s)
- Cabinets with the Recessed Toe Kick option is not flush on the non-recessed side



RTKL

RTKR

RTKB

Full Depth Shelf Option

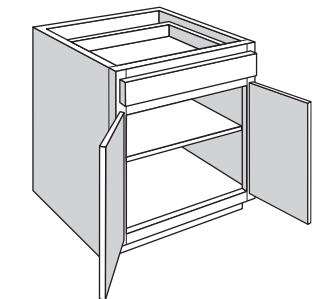
NEW | OPTION

FDS

The Full Depth Shelf Option is available for most Base cabinets and will convert the half-depth shelf to a full-depth shelf.

Notes:

- Available for individual cabinets
- Not available for cabinets with accessories
- May be combined with the Reduced Depth Option down to 13"
- Cannot be ordered with All Plywood Construction



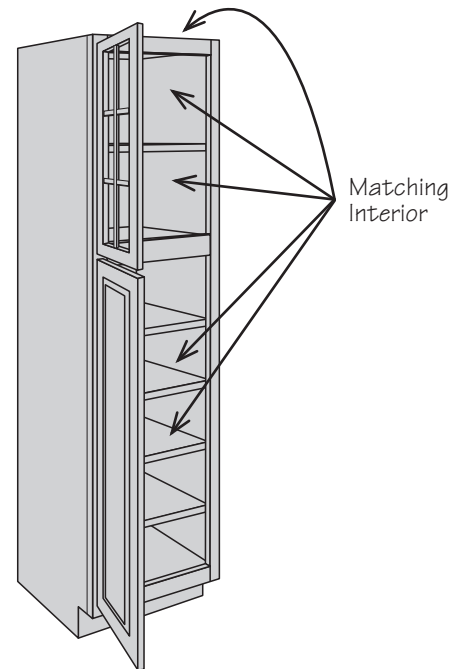
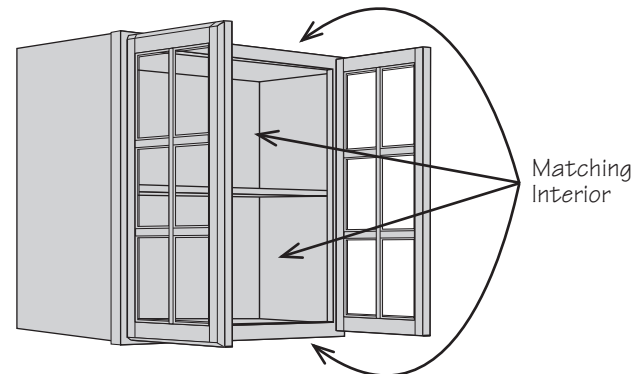
Matching Interior Option

MI

The Matching Interior Option is available for Wall cabinets (with the exceptions noted below), Utility cabinets, Vanity Linen cabinets, and Refrigerator Return Panels. This option matches the cabinet's interior, top and bottom to that of the cabinet's box exterior.

Notes:

- Standard construction cabinetry with the Matching Interior Option features two-sided engineered wood TuffTech finish side panels finished to match cabinet box exterior
- Cabinetry with the All Plywood Construction Option (APC), Furniture Ends Option (FE), or Plywood Ends Option (PE) features two-sided BeautyGuard side panels finished to match cabinet box exterior
- Recommended for wall cabinets with the Void Door Option (VDO)
- Not available for wall cabinets with a standard matching interior (including all Specialty Door cabinets)
- All finished surfaces of the Wall, Utility, and Vanity Linen cabinets will be color matched including shelves, back, interior and exterior of returns, top and bottom, corner wall back post and back side of peninsula wall face frame
- Interior accessories in Matching Interior cabinets will remain natural finish (e.g., spice rack kit, deep dovetail sliding shelves, pantry swing-out kit)
- When Matching Interior (MI) is ordered for Breeze, Cascade, and Drift finishes, cabinet interior will match cabinet box exterior.



Void Door Option

VDO/VDM

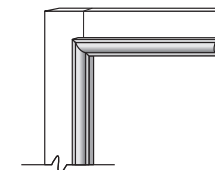
The Void Door Option is available for most wall cabinets. All void door cabinets ship without doors or hinges - center stiles and adjustable shelves will remain. Cabinet frames are pre-drilled for door hinges.

Refer to the descriptions below to select the correct option for your layout:

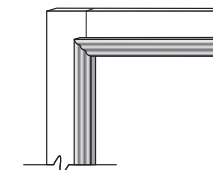
- VDO-DFH (Drilled For Hinges)
- VDM-SBAM (Single Bead Accent Molding)
- VDM-TBAM (Triple Bead Accent Molding)
- VDM-SAM (Shaker Accent Molding)

Notes for VDM options:

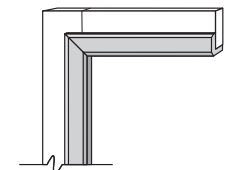
- Can be used to create decorative open cabinets
- Wall Top Hinge Cabinets will ship without door, lid stays, and hinges
- Decorative accent moldings will conceal hinge holes
- Molding is to be cut and field installed at the job site
- When matching interior is desired, the Matching Interior Option must be selected separately



VDM-SBAM
Single Bead Accent Molding



VDM-TBAM
Triple Bead Accent Molding



VDM-SAM
Shaker Accent Molding

Void Top Drawer Option

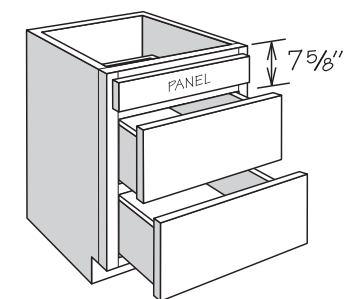
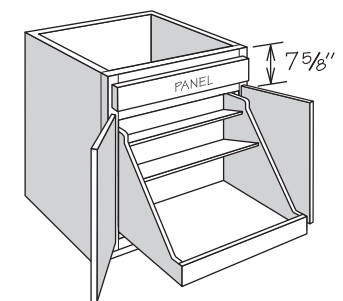
NEW | OPTION

VTD

The Void Top Drawer Option is available for most 3 Drawer Base, 4 Drawer Base, Base with Sliding Shelves, Base with Pot & Pan Organizer and Peninsula Base cabinets.

Notes:

- This option removes the drawer body and glide system and replaces it with a false panel on any top drawer(s)
- On cabinets with multiple top drawers, all top drawers will be voided
- When using an appliance, the interior height clearance is 7 $\frac{5}{8}$ " from the top of the cabinet to the top of the door/drawer opening below the voided drawer
- Subtract 1 $\frac{1}{2}$ " from width and depth for available top opening - removal of corner blocks may be required
- Removal of the top rail is not recommended
- Refer to appliance manufacturer's specifications for adequate clearances and required installation materials



Specialty Door Option cabinets are available for most wall, utility and vanity linen cabinet sizes. All Specialty Door Option cabinets include Matching Interior as standard and require one of the specialty door options below (see page 60 for Matching Interior construction). Specialty door options for utility and vanity linen cabinets apply to top door(s) only.

Open Frame Door (OFD) notes:

- Features door frame only with no mullions or center panel
- Decorative glass inserts and appropriate glass clips are shipped separately from the cabinet for field installation – see pages 71-73 for available glass inserts
- See page 64 for door style profiles

Mullion Frame Door (MFD) notes:

- Features grid-style mullions
- Not available for Wall Top Hinge cabinets
- Decorative glass inserts and appropriate glass clips are shipped separately from the cabinet for field installation – see pages 71-73 for available glass inserts
- See pages 65-67 for door style profiles

Horizontal Frame Door (HFD) notes:

- Features horizontal-style mullions
- Not available for Wall Top Hinge cabinets
- Not available for 12" high cabinets
- Decorative glass inserts and appropriate glass clips are shipped separately from the cabinet for field installation – see pages 71-73 for available glass inserts
- See page 68 for door style profiles

Prairie Frame Door (PFD) notes:

- Craftsman-inspired mullions featuring 9 lites for all available door sizes
- Corner lites will be a 1½" square for all available door sizes
- Not available for Wall Top Hinge cabinets
- Decorative glass inserts and appropriate glass clips are shipped separately from the cabinet for field installation – see pages 71-73 for available glass inserts
- See page 69 for door style profiles

Aluminum Frame Door (AFBA/AFVI) notes:

- Available for full overlay door styles only
- Door stiles and rails are 2½" mitered aluminum with Brushed Aluminum (AFBA) or Vintage Iron (AFVI) finish
- Glass panels are factory installed and non-removable – see page 70 for frame and glass combinations
- Glass panels are tempered for safety with etched finish

SPECIALTY DOOR OFFERING BY STYLE

Portfolio Select Series					
Door Style	OFD	MFD	HFD	PFD	AFBA/AFVI
Charleston	•				•
Colebrook	•	•			
New Haven*	•	•	•	•	•
Rushmore	•	•			•
Sierra Vista	•	•			•
Tucson	•	•	•	•	•
Windsor	•	•			•
Wyoming	•	•			
Portfolio Series					
Door Style	OFD	MFD	HFD	PFD	AFBA/AFVI
Barnett	•				
Cumberland	•	•			•
Downing	•				
Kinsdale*	•	•			•
Lausanne	•				•
Maddox	•				•
Scottsdale	•	•			
Sonoma*	•	•	•	•	•
Tahoe	•	•			

*MFD, HFD, or PFD is not available for Duraform door styles

SPECIALTY DOOR AVAILABILITY BY SIZE

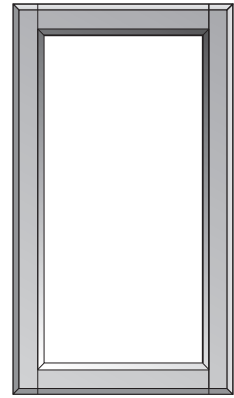
Door Width	Door Height													
	12" High Wall	15" High Wall	18" High Wall	21" High Wall	24" High Wall	27" High Wall	30" High Wall	36" High Wall	39" High Wall	42" High Wall	84" High Utility or Vanity Linen	90" High Utility	93" High Utility	96" High Utility
12" Wide			•		•		•	•	•	•	•	•	•	•
13" Wide			•		•		•	•	•	•				
15" Wide	◆	•	•	•	•	•	•	•	•	•	•	•	•	•
16" Wide	◆	•	•	•	•		•	•	•	•				
18" Wide	◆	•	•	•	•		•	•	•	•	•	•	•	•
19" Wide	◆	•	•	•	•		•	•		•				
21" Wide			•		•		•	•	•	•				
30" Wide		■	■											
36" Wide		■	■											
42" Wide	■													

- Available with all Specialty Door Options
- Wall Top Hinge cabinets only - not available with HFD, MFD or PFD Options
- ◆ Not available with the HFD Option

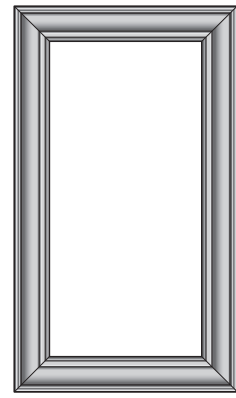
Open Frame Door Profiles

OFD

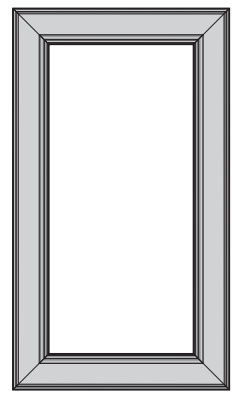
PROFILE FOR:
 • Colebrook
 • Cumberland
 • Rushmore
 • Scottsdale
 • Tahoe
 • Windsor
 • Wyoming



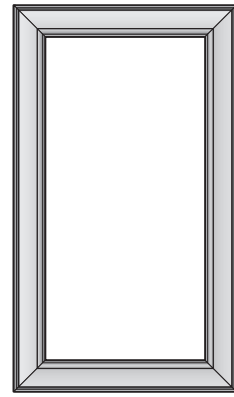
PROFILE FOR:
 • Sierra Vista



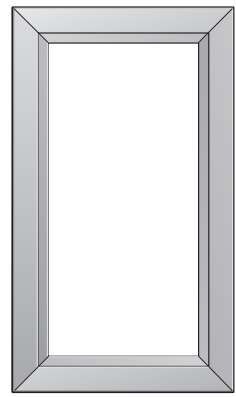
PROFILE FOR:
 • Kinsdale



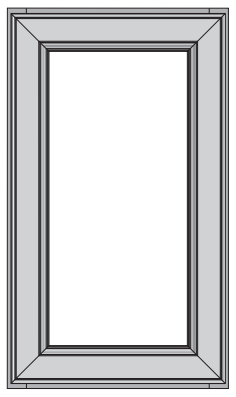
PROFILE FOR:
 • Downing



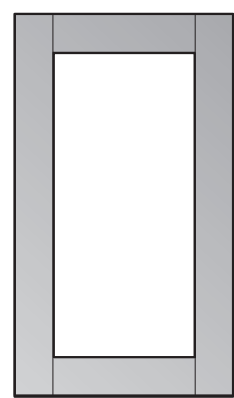
PROFILE FOR:
 • Maddox



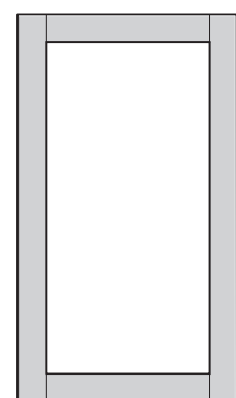
PROFILE FOR:
 • Charleston



PROFILE FOR:
 • Lausanne
 • New Haven



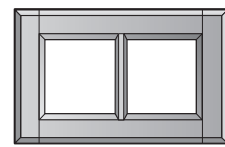
PROFILE FOR:
 • Barnett
 • Sonoma
 • Tucson



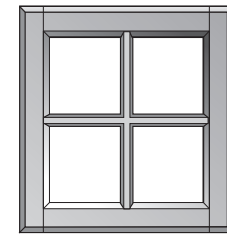
Mullion Frame Door Profiles

MFD

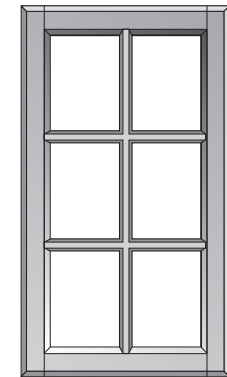
PROFILE FOR:
 • Colebrook
 • Cumberland
 • Rushmore
 • Scottsdale
 • Tahoe
 • Windsor
 • Wyoming



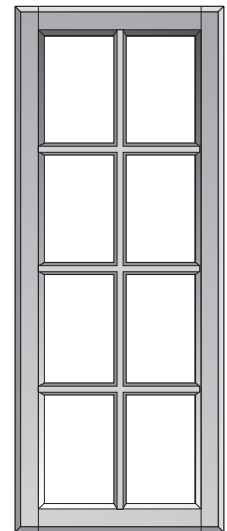
12" High Wall Cabinet



15", 18", 21", 24" or 27" High Wall Cabinet

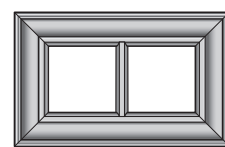


30" or 36" High Wall Cabinet
 84" or 90" High Utility Cabinet
 84" High Vanity Linen Cabinet

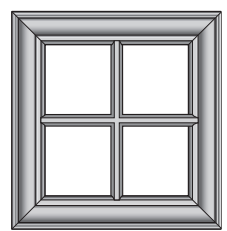


39" or 42" High Wall Cabinet
 93" or 96" High Utility Cabinet

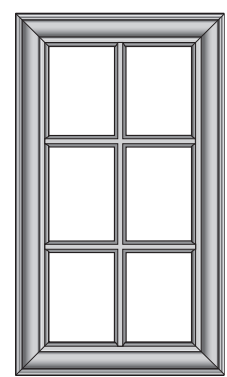
PROFILE FOR:
 • Sierra Vista



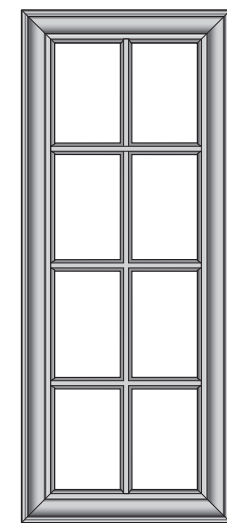
12" High Wall Cabinet



15", 18", 21", 24" or 27" High Wall Cabinet



30" or 36" High Wall Cabinet
 84" or 90" High Utility Cabinet
 84" High Vanity Linen Cabinet

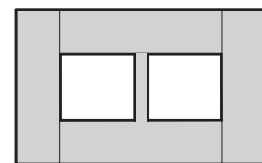


39" or 42" High Wall Cabinet
 93" or 96" High Utility

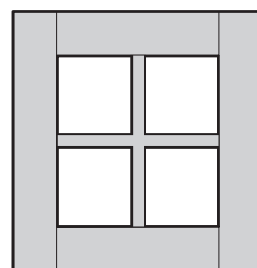
Mullion Frame Door Profiles

MFD

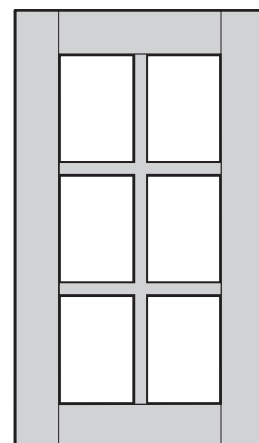
PROFILE FOR:
• New Haven*



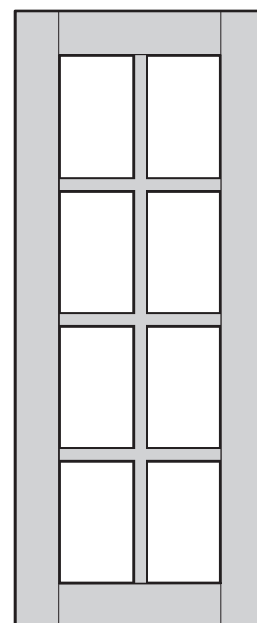
12" High Wall Cabinet



15", 18", 21", 24" or 27"
High Wall Cabinet



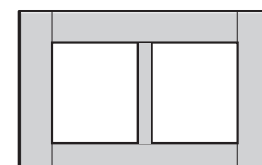
30" or 36" High Wall Cabinet
84" or 90" High Utility Cabinet
84" High Vanity Linen Cabinet



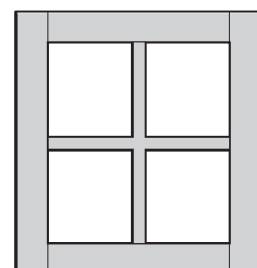
39" or 42" High Wall Cabinet
93" or 96" High Utility

*Not available for Duraform

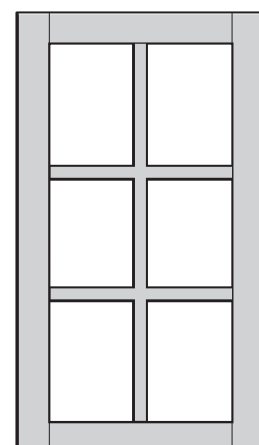
PROFILE FOR:
• Sonoma
• Tucson



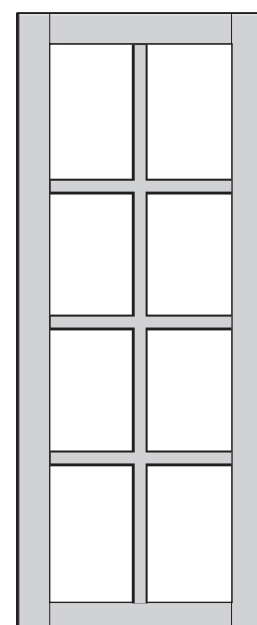
12" High Wall Cabinet



15", 18", 21", 24" or 27"
High Wall Cabinet



30" or 36" High Wall Cabinet
84" or 90" High Utility Cabinet
84" High Vanity Linen Cabinet

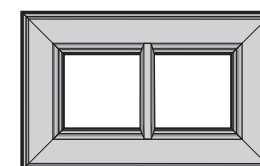


39" or 42" High Wall Cabinet
93" or 96" High Utility

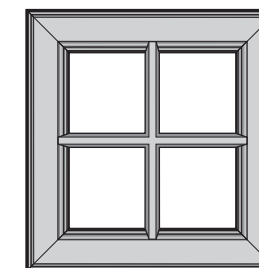
Mullion Frame Door Profiles

MFD

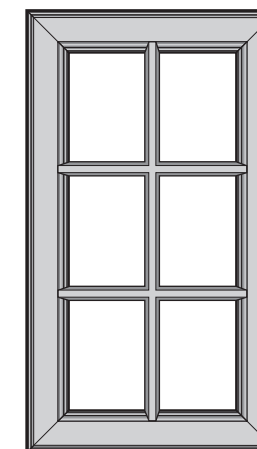
PROFILE FOR:
• Kinsdale*



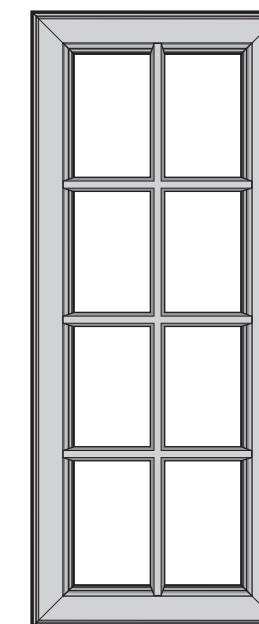
12" High Wall Cabinet



15", 18", 21", 24" or 27"
High Wall Cabinet



30" or 36" High Wall Cabinet
84" or 90" High Utility Cabinet
84" High Vanity Linen Cabinet



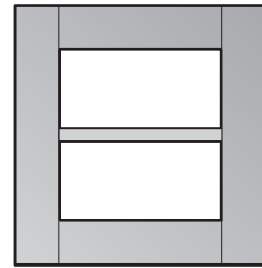
39" or 42" High Wall Cabinet
93" or 96" High Utility

*Not available for Duraform

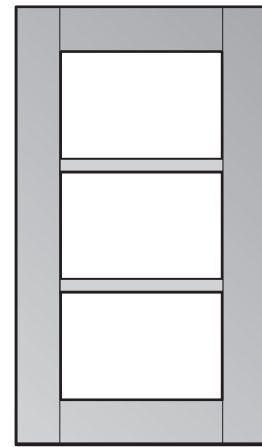
Horizontal Frame Door Profiles

HFD

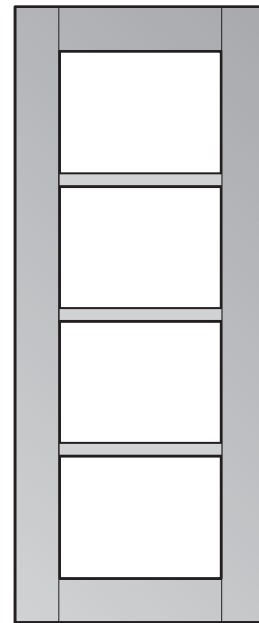
PROFILE FOR:
• New Haven*



15", 18", 21", 24" or 27"
High Wall Cabinet



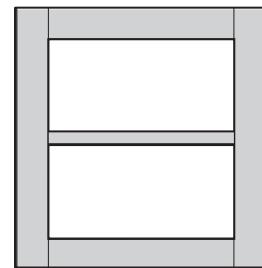
30" or 36" High Wall Cabinet
84" or 90" High Utility Cabinet
84" High Vanity Linen Cabinet



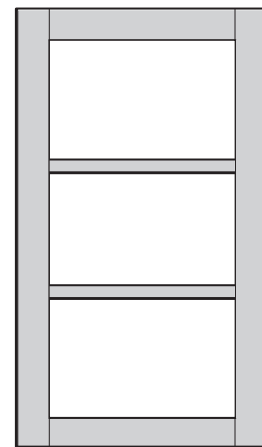
39" or 42" High Wall Cabinet
93" or 96" High Utility

NOTE: 12" high not available
*Not available for Duraform

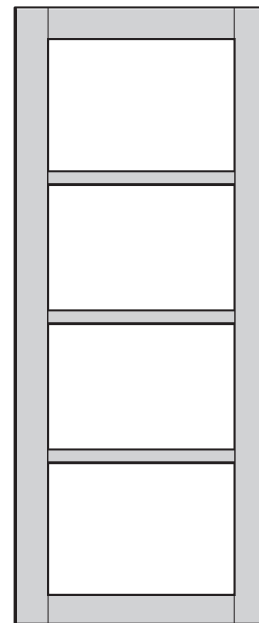
PROFILE FOR:
• Sonoma*
• Tucson



15", 18", 21", 24" or 27"
High Wall Cabinet



30" or 36" High Wall Cabinet
84" or 90" High Utility Cabinet
84" High Vanity Linen Cabinet



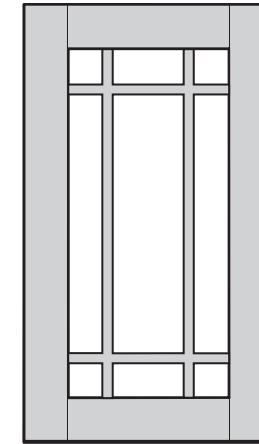
39" or 42" High Wall Cabinet
93" or 96" High Utility

NOTE: 12" high not available
*Not available for Duraform

Prairie Frame Door Profile

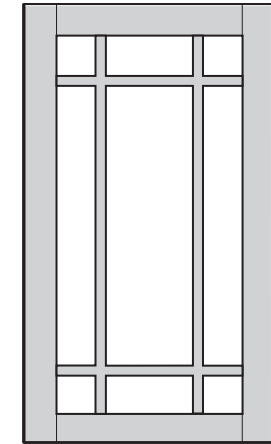
PFD

PROFILE FOR:
• New Haven*



NOTE: 12" high not available
*Not available for Duraform

PROFILE FOR:
• Sonoma*
• Tucson



*Not available for Duraform

Aluminum Frame Door Profile - Brushed Aluminum

AFBA

PROFILE FOR:
• All Full Overlay Door Styles

Frosted Glass



AFBA FROSTED

Frosted Ash Glass



AFBA FROSTED ASH

Woven Glass



AFBA WOVEN

Aluminum Frame Door Profile - Vintage Iron

AFVI

PROFILE FOR:
• All Full Overlay Door Styles

Frosted Glass



AFVI FROSTED

Frosted Umber Glass



AFVI FROSTED UMBER

Havana Glass



AFVI HAVANA

Afton Glass



AFTON



ANTIQUED AFTON

OFD

- 5/16" overall thickness
- Afton has a clear glass design using zinc coming with clear beveled diamonds
- Antiqued Afton has a clear glass design using bronze patina coming with clear beveled diamonds
- Features one row of diamonds for 12"-18" high doors and two rows for 21" or higher doors
- Features one column of diamonds for 12"-13" wide doors and two columns for 15" or wider doors
- Spacing will vary according to glass width and height
- Includes appropriate Decorative Glass Clips
- Not available for Wall Top Hinge cabinets
- Order as DGI-___ AFTON or DGI-___ ANTIQUED AFTON, refer to Parts Directory for nomenclature and dimensions

Clear Glass



OFD
MFD
HFD
PFD

- 1/8" thick panel
- Clear glass
- Tempered safety glass
- Includes appropriate Decorative Glass Clips
- Order as DGI-___ CLEAR, refer to Parts Directory for nomenclature and dimensions

Fincastle Glass



FINCASTLE



ANTIQUED FINCASTLE

OFD

- 5/16" overall thickness
- Fincastle has a clear glass design using zinc coming
- Antiqued Fincastle has a clear glass design using bronze patina coming
- Not available for 12" high doors
- Includes appropriate Decorative Glass Clips
- Not available for Wall Top Hinge Cabinets
- All sizes features 3 vertical coming lines, spacing will vary according to glass width
- Order as DGI-___ FINCASTLE or DGI-___ ANTIQUED FINCASTLE, refer to Parts Directory for nomenclature and dimensions

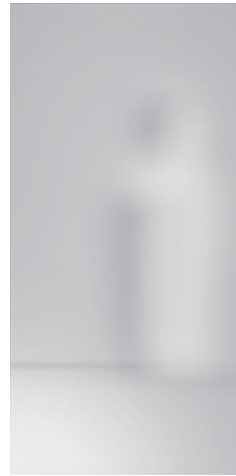
Derbyshire Seeded Glass



OFD
MFD
HFD
PFD

- 5/16" thick panel
- Clear seeded glass
- Laminated safety glass
- Includes appropriate Decorative Glass Clips
- Order as DGI-___ DERBYSHIRE, refer to Parts Directory for nomenclature and dimensions

Frosted Glass



OFD
MFD
HFD
PFD

- 1/8" thick panel
- Frosted glass with etched finish
- Tempered safety glass
- Includes appropriate Decorative Glass Clips
- Order as DGI-___ FROSTED, refer to Parts Directory for nomenclature and dimensions

Frosted Ash Glass



OFD
MFD
HFD
PFD

- 1/8" thick panel
- Gray tinted glass
- Tint is manufactured in material - not a film
- Tempered safety glass
- Includes appropriate Decorative Glass Clips
- Order as DGI-___FROSTED ASH, refer to Parts Directory for nomenclature and dimensions

Frosted Umber Glass



OFD
MFD
HFD
PFD

- 1/8" thick panel
- Bronze tinted glass
- Tint is manufactured in material - not a film
- Tempered safety glass
- Includes appropriate Decorative Glass Clips
- Order as DGI-___FROSTED UMBER, refer to Parts Directory for nomenclature and dimensions

Meredith Glass



OFD

- 1/4" overall thickness (1/8" beveled edge thickness)
- Clear glass design with 1 1/4" wide beveled edges
- Tempered safety glass
- Includes appropriate Decorative Glass Clips
- Order as DGI-___ MEREDITH, refer to Parts Directory for nomenclature and dimensions

Mirrored Glass



OFD
MFD
HFD
PFD

- 1/4" thick panel
- Laminated safety glass
- White vinyl in between glass layers
- Includes appropriate Decorative Glass Clips
- Order as DGI-___MIRROR, refer to Parts Directory for nomenclature and dimensions

Radiance Glass



OFD
MFD
HFD
PFD

- 1/4" thick panel
- Clear glass with randomized bronze/copper fabric
- Randomized patterns may result in inherent variations between adjacent pieces
- Laminated safety glass
- Includes appropriate Decorative Glass Clips
- Order as DGI-___RADIANCE, refer to Parts Directory for nomenclature and dimensions

Havana Glass



OFD
MFD
HFD
PFD

- 1/8" thick panel
- Bronze tinted glass with a two-sided acid etched pattern - one horizontal and one vertical
- Tempered safety glass
- Includes appropriate Decorative Glass Clips
- Order as DGI-___HAVANA, refer to Parts Directory for nomenclature and dimensions

Impression Glass



OFD
MFD
HFD
PFD

- 1/8" thick panel
- Sculptural glass
- Tempered safety glass
- Includes appropriate Decorative Glass Clips
- Order as DGI-___IMPRESSION, refer to Parts Directory for nomenclature and dimensions

Lucent Glass



OFD
MFD
HFD
PFD

- 1/8" thick panel
- Sculptural glass
- Tempered safety glass
- Includes appropriate Decorative Glass Clips
- Order as DGI-___LUCENT, refer to Parts Directory for nomenclature and dimensions

Ribbed Glass



OFD
MFD
HFD
PFD

- 1/8" thick panel
- Clear ribbed glass
- Tempered safety glass
- Includes appropriate Decorative Glass Clips
- Not available for Wall Top Hinge Cabinets
- Order as DGI-___ RIBBED, refer to Parts Directory for nomenclature and dimensions

Twilight Glass



OFD
MFD
HFD
PFD

- 1/8" thick panel
- Laminated safety glass
- Clear glass with randomized silver fabric
- Randomized patterns may result in inherent variations between adjacent pieces
- Includes appropriate Decorative Glass Clips
- Order as DGI-___TWILIGHT, refer to Parts Directory for nomenclature and dimensions

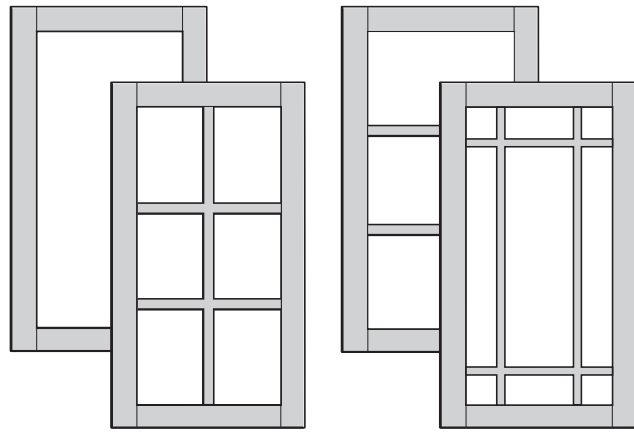
Woven Glass



OFD
MFD
HFD
PFD

- 1/8" thick panel
- Acid-etched fabric pattern
- Low-iron glass
- Tempered safety glass
- Includes appropriate Decorative Glass Clips
- Order as DGI-___WOVEN, refer to Parts Directory for nomenclature and dimensions

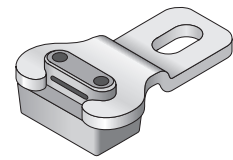
Prepped for Glass



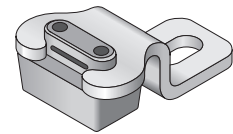
- For customer installed inserts up to 3/16" thick
- Refer to pages 64-69 for standard profiles
- Decorative Glass Clips not included—order separately

OFD
MFD
HFD
PFD

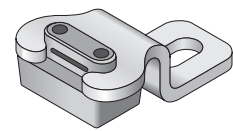
Decorative Glass Clips



CLIP DGI 1/8



CLIP DGI 1/4



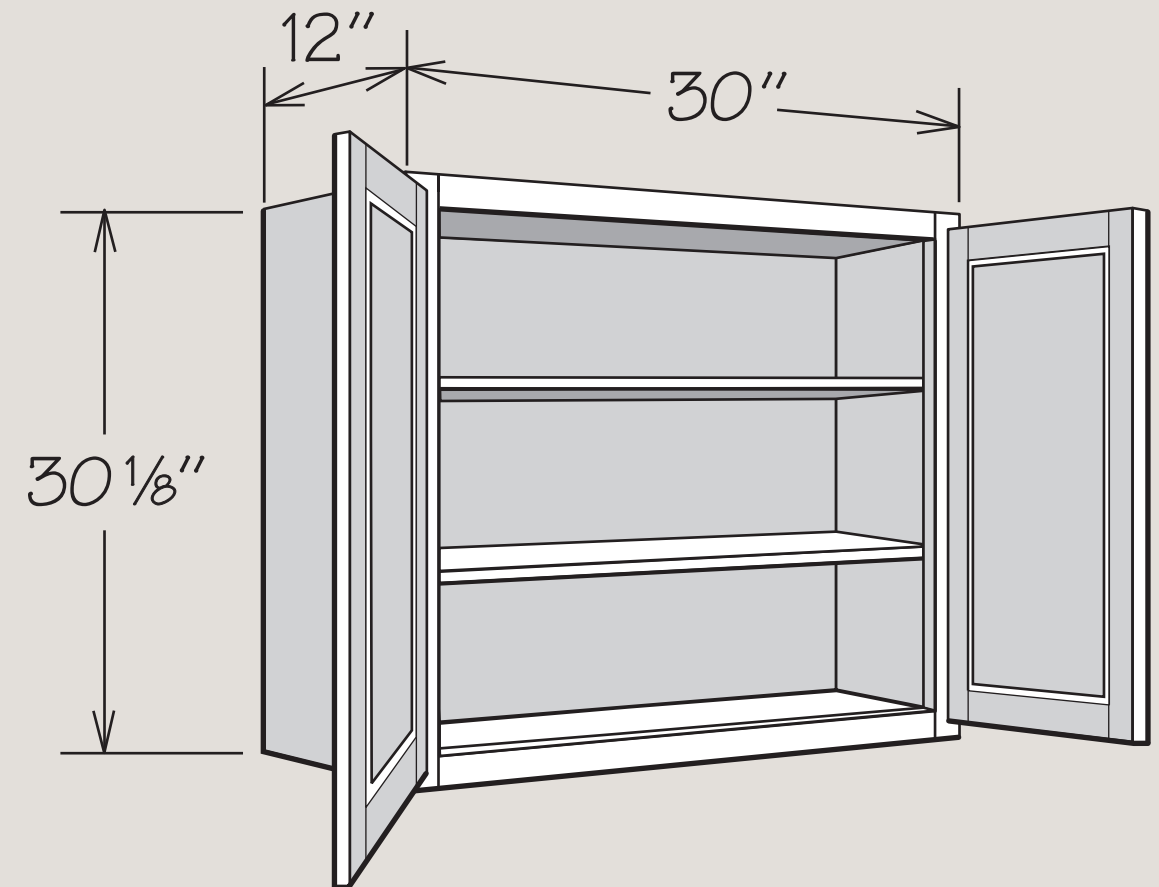
CLIP DGI 5/16

- For installation of decorative glass insert
- Order one bag (six clips) per door

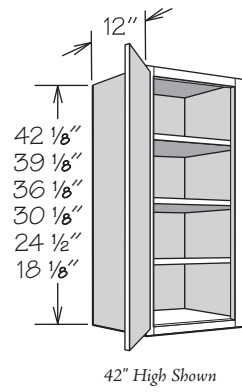
CLIP DGI 1/8
CLIP DGI 1/4
CLIP DGI 5/16

Glass Insert	CLIP DGI 1/8	CLIP DGI 1/4	CLIP DGI 5/16
Afton			•
Antiqued Afton			•
Antiqued Fincastle			•
Clear	•		
Derbyshire			•
Fincastle			•
Frosted	•		
Frosted Ash	•		
Frosted Umber	•		
Havana	•		
Impression	•		
Lucent	•		
Meredith	•		
Mirror		•	
Radiance		•	
Ribbed	•		
Twilight		•	
Woven	•		

WALL CABINETS



Wall Cabinets + 1 Door



42" High Shown

- Specialty Door cabinets (SD) feature Matching Interior standard and require a specialty door selection
- Must be ordered as hinged left or right

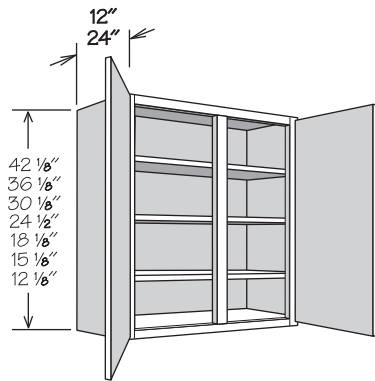
APC
CCH
CFO
FE
ID
MI
PE
RD
VDO

12" DEEP

42"H • 3 shelves	39"H • 3 shelves	36"H • 2 shelves	30"H • 2 shelves	24"H • 1 shelf	18"H • no shelf
W942 ■	W939 ■	W936 ■	W930 ■	W1224 ■	W1218 ■
W1242 ■	W1239 ■	W1236 ■	W1230 ■	W1524 ■	W1518 ■
W1542 ■	W1539 ■	W1536 ■	W1530 ■	W1824 ■	W1818 ■
W1842 ■	W1839 ■	W1836 ■	W1830 ■	W2124 ■	W2118 ■
W2142 ■	W2139 ■	W2136 ■	W2130 ■	W1224 SD	W1218 SD
W1242 SD	W1239 SD	W1236 SD	W2430 ■	W1524 SD	W1518 SD
W1542 SD	W1539 SD	W1536 SD	W1230 SD	W1824 SD	W1818 SD
W1842 SD	W1839 SD	W1836 SD	W1530 SD	W2124 SD	W2118 SD
W2142 SD	W2139 SD	W2136 SD	W1830 SD		
			W2130 SD		

Wall Cabinets + 2 Doors

NEW | SIZES



42" High Shown

- Specialty Door cabinets (SD) feature Matching Interior standard and require a specialty door selection
- 24" deep cabinets feature half-depth shelf where applicable
- 24" deep cabinets must be securely attached in one of the following combinations: to studs in back wall and both sides OR to studs in back wall, one side and top (e.g. two adjacent cabinets or one adjacent cabinet and a wall) or installed over a refrigerator

APC
CCH
CFO
FE
MI
PE
RD
VDO

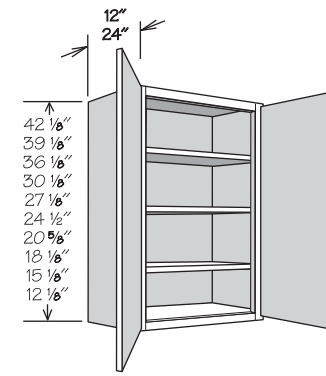
12" DEEP

42"H • 3 shelves	30"H • 2 shelves	24"H • 1 shelf	18"H • no shelf	15"H • no shelf
W3942 ■	W3930 ■	W3924 ■	W3918 ■	W3915 ■
W4242 ■	W4230 ■	W4224 ■	W4218 ■	W3915 SD
W3942 SD	W4830 ■	W3924 SD	W3918 SD	
W4242 SD	W3930 SD	W4224 SD	W4218 SD	12"H • no shelf
	W4230 SD			W3912 ■
		21"H • no shelf		W3912 SD
		W3921 ■		
		W3921 SD		

24" DEEP

24"H • 1 shelf	21"H • no shelf	18"H • no shelf	15"H • no shelf	12"H • no shelf
W3924 X 24 DP ■	W3921 X 24 DP ■	W3918 X 24 DP ■	W3915 X 24 DP ■	W3912 X 24 DP ■
W3924 X 24 DP SD	W3921 X 24 DP SD	W3918 X 24 DP SD	W3915 X 24 DP SD	W3912 X 24 DP SD

Wall Cabinets + 2 Butt Doors



42" High Shown

- Specialty Door cabinets (SD) feature Matching Interior standard and require a specialty door selection
- 24" deep cabinets feature half-depth shelf where applicable
- 24" deep cabinets must be securely attached in one of the following combinations: to studs in back wall and both sides OR to studs in back wall, one side and top (e.g. two adjacent cabinets or one adjacent cabinet and a wall) or installed over a refrigerator

APC
CCH
CFO
FE
ID
MI
PE
RD
VDO

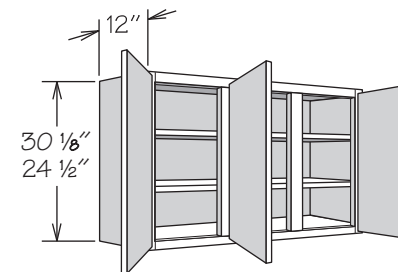
12" DEEP

42"H • 3 shelves	36"H • 2 shelves	27"H • 1 shelf	21"H • no shelf	15"H • no shelf
W2442 BUTT ■	W2436 BUTT ■	W3027 BUTT ■	W3021 BUTT ■	W3015 BUTT ■
W2742 BUTT ■	W2736 BUTT ■	W3027 BUTT SD	W3321 BUTT ■	W3315 BUTT ■
W3042 BUTT ■	W3036 BUTT ■		W3621 BUTT ■	W3615 BUTT ■
W3342 BUTT ■	W3336 BUTT ■	24"H • 1 shelf	W3021 BUTT SD	W3015 BUTT SD
W3642 BUTT ■	W3636 BUTT ■	W2424 BUTT ■	W3321 BUTT SD	W3315 BUTT SD
W2442 BUTT SD	W2436 BUTT SD	W2724 BUTT ■	W3621 BUTT SD	W3615 BUTT SD
W2742 BUTT SD	W2736 BUTT SD	W3024 BUTT ■	18"H • no shelf	12"H • no shelf
W3042 BUTT SD	W3036 BUTT SD	W3324 BUTT ■	W2418 BUTT ■	W3012 BUTT ■
W3342 BUTT SD	W3336 BUTT SD	W3624 BUTT ■	W2718 BUTT ■	W3312 BUTT ■
W3642 BUTT SD	W3636 BUTT SD	W2424 BUTT SD	W3018 BUTT ■	W3612 BUTT ■
		W2724 BUTT SD	W3318 BUTT ■	W3012 BUTT SD
		W3024 BUTT SD	W3024 BUTT SD	W3312 BUTT SD
		W3324 BUTT SD	W3324 BUTT SD	W3612 BUTT SD
		W3624 BUTT SD	W3618 BUTT ■	
			W2418 BUTT SD	
			W2718 BUTT SD	
			W3018 BUTT SD	
			W3318 BUTT SD	
			W3018 BUTT SD	
			W3318 BUTT SD	
			W3618 BUTT SD	

24" DEEP

27"H • 1 shelf	21"H • no shelf	18"H • no shelf	15"H • no shelf	12"H • no shelf
W3027 X 24 DP BUTT ■	W3021 X 24 DP BUTT ■	W3018 X 24 DP BUTT ■	W3015 X 24 DP BUTT ■	W3012 X 24 DP BUTT ■
W3027 X 24 DP BUTT SD	W3321 X 24 DP BUTT ■	W3318 X 24 DP BUTT ■	W3315 X 24 DP BUTT ■	W3312 X 24 DP BUTT ■
	W3621 X 24 DP BUTT ■	W3618 X 24 DP BUTT ■	W3615 X 24 DP BUTT ■	W3612 X 24 DP BUTT ■
	W3021 X 24 DP BUTT SD	W3018 X 24 DP BUTT SD	W3015 X 24 DP BUTT SD	W3012 X 24 DP BUTT SD
	W3321 X 24 DP BUTT SD	W3318 X 24 DP BUTT SD	W3315 X 24 DP BUTT SD	W3312 X 24 DP BUTT SD
	W3621 X 24 DP BUTT SD	W3618 X 24 DP BUTT SD	W3615 X 24 DP BUTT SD	W3612 X 24 DP BUTT SD

Wall Cabinets + 3 Doors



30" High Shown

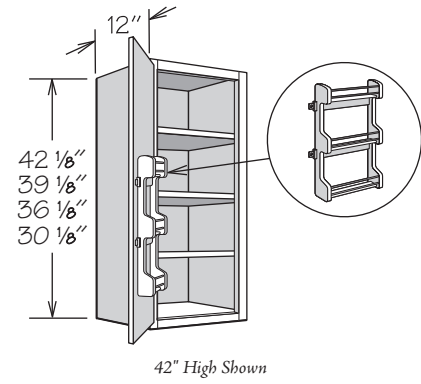
- Specialty Door cabinets (SD) feature Matching Interior standard and require a specialty door selection
- Hinged as shown

APC
CCH
CFO
FE
MI
PE
RD
VDO

12" DEEP

30"H • 2 shelves	24"H • 1 shelf
W4530 ■	W4524 ■
W4530 SD	W4524 SD

Wall Cabinet with Spice Rack + 1 Door



- Spice Rack Kit packaged separately for field installation
- Position adjustable shelves prior to installation
- Kit in natural finish solid wood features chrome rails and three fixed shelves
- Must be ordered as hinged left or right

APC
CCH
FE
ID
MI
PE

12" DEEP

42"H • 3 shelves

W1542 SR
W1842 SR
W2142 SR

39"H • 3 shelves

W1539 SR
W1839 SR
W2139 SR

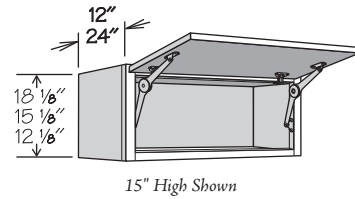
36"H • 2 shelves

W1536 SR
W1836 SR
W2136 SR

30"H • 2 shelves

W1530 SR
W1830 SR
W2130 SR

Wall Top Hinge + 1 Door



- Features one pair of factory installed, field adjustable lid stays that supports door securely at any angle up to 105°
- Cabinet can be flipped to open downwards and lid stay can be adjusted to support door
- Not available for Tucson door styles
- Specialty Door cabinets (SD) feature Matching Interior standard and require a specialty door selection
- HFD, MFD and PFD not available on Wall Top Hinge Specialty Door cabinets
- 24" deep cabinets must be securely attached in one of the following combinations: to studs in back wall and both sides OR to studs in back wall, one side and top (e.g. two adjacent cabinets or one adjacent cabinet and a wall) or installed over a refrigerator

APC
FE
ID
MI
PE
RD
VDO

12" DEEP

18"H • no shelf

WTH3018 ■ ◆
WTH3618 ■ ◆
WTH3018 SD ◆
WTH3618 SD ◆

15"H • no shelf

WTH3015 ■ ◆
WTH3615 ■ ◆
WTH3015 SD ◆
WTH3615 SD ◆

12"H • no shelf

WTH4212 ■
WTH4212 SD

24" DEEP

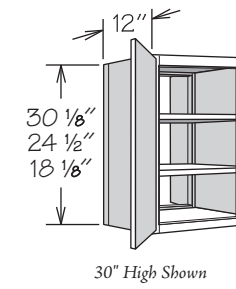
18"H • no shelf

WTH3018 X 24 DP ■
WTH3618 X 24 DP ■
WTH3018 X 24 DP SD
WTH3618 X 24 DP SD

15"H • no shelf

WTH3015 X 24 DP ■
WTH3615 X 24 DP ■
WTH3015 X 24 DP SD
WTH3615 X 24 DP SD

Peninsula Wall Cabinets + 2 Doors



- Hinged as shown
- Specialty Door cabinets (SD) feature Matching Interior standard and require a specialty door selection

APC
CCH
FE
ID
MI
PE
RD
VDO

12" DEEP

30"H • 2 shelves

PW1230 ■
PW1530 ■
PW1830 ■
PW2430 ■
PW1230 SD
PW1530 SD
PW1830 SD

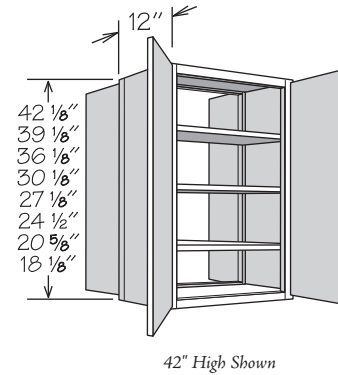
24"H • 1 shelf

PW1224 ■
PW1824 ■
PW1224 SD
PW1824 SD

18"H • no shelf

PW1818 ■
PW1818 SD

Peninsula Wall Cabinets + 4 Butt Doors



- Specialty Door cabinets (SD) feature Matching Interior standard and require a specialty door selection

APC
CCH
FE
ID
MI
PE
RD
VDO

12" DEEP

42"H • 3 shelves

PW2442 BUTT ■
PW3042 BUTT ■
PW3642 BUTT ■
PW2442 BUTT SD
PW3042 BUTT SD
PW3642 BUTT SD

39"H • 3 shelves

PW2439 BUTT ■
PW3039 BUTT ■
PW3639 BUTT ■
PW2439 BUTT SD
PW3039 BUTT SD
PW3639 BUTT SD

36"H • 2 shelves

PW2436 BUTT ■
PW3036 BUTT ■
PW3636 BUTT ■
PW2436 BUTT SD
PW3036 BUTT SD
PW3636 BUTT SD

30"H • 2 shelves

PW2430 BUTT ■
PW3030 BUTT ■
PW3630 BUTT ■
PW2430 BUTT SD
PW3030 BUTT SD
PW3630 BUTT SD

27"H • 1 shelf

PW3027 BUTT ■
PW3027 BUTT SD

24"H • 1 shelf

PW2424 BUTT ■
PW3024 BUTT ■
PW3624 BUTT ■
PW2424 BUTT SD
PW3024 BUTT SD
PW3624 BUTT SD

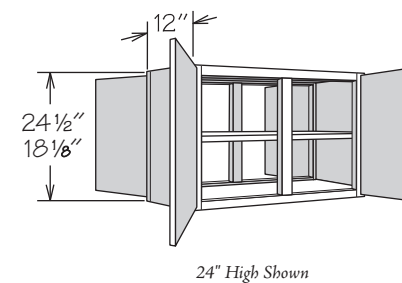
21"H • no shelf

PW3021 BUTT ■
PW3621 BUTT ■
PW3021 BUTT SD
PW3621 BUTT SD

18"H • no shelf

PW2418 BUTT ■
PW3018 BUTT ■
PW3618 BUTT ■
PW2418 BUTT SD
PW3018 BUTT SD
PW3618 BUTT SD

Peninsula Wall Cabinets + 4 Doors



- Specialty Door cabinets (SD) feature Matching Interior standard and require a specialty door selection

APC
CCH
FE
MI
PE
RD
VDO

12" DEEP

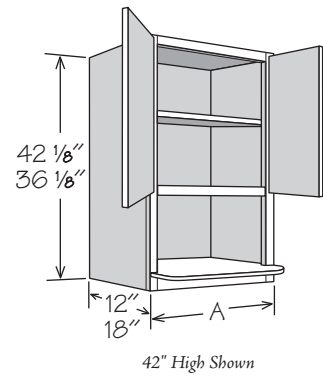
24"H • 1 shelf

PW4224 ■
PW4224 SD

18"H • no shelf

PW4218 ■
PW4218 SD

Wall Microwave Cabinets + 2 Butt Doors

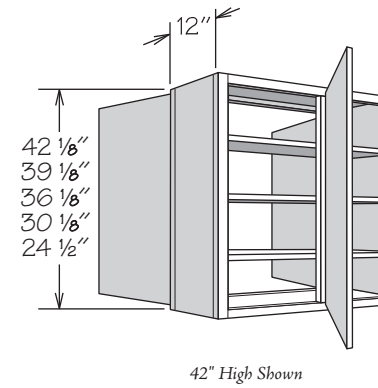


- Must be installed between two adjacent cabinets or a cabinet and a wall
- Cabinet interior is finished to match cabinet box exterior
- 3/4" plywood microwave shelf included
- Designed to accommodate countertop style microwave
- Refer to appliance manufacturer's specifications for adequate clearances

APC
CCH
FE
PE
RD
VDO

12" DEEP	A	LOWER FRAME OPENING		
		WIDTH	HEIGHT	DEPTH
36"H • no shelf				
WMSC271236 BUTT	27"	23 3/4"	18 5/8"	17 3/4"
WMSC301236 BUTT	30"	26 3/4"	18 5/8"	17 3/4"
WCMSC241236 BUTT	24"	20 3/4"	15 5/8"	17 3/4"
WCMSC271236 BUTT	27"	23 3/4"	15 5/8"	17 3/4"
18" DEEP				
42"H • 1 shelf				
WMSC271842 BUTT	27"	23 3/4"	15 1/4"	23 3/4"
36"H • no shelf				
WMSC271836 BUTT	27"	23 3/4"	18 5/8"	23 3/4"

Blind Peninsula Cabinet + 3 Butt Doors



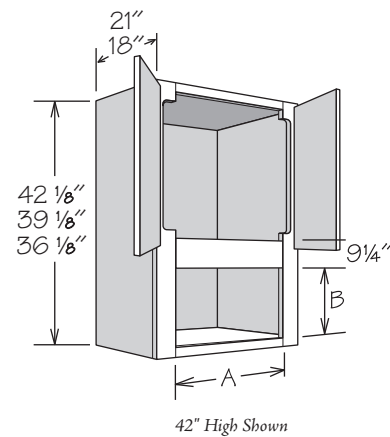
- Cabinet shown as right indicating blind opening is on the right side of the cabinet (must be ordered as left or right)
- Includes 1/8" panel to cover blind opening (field trim and install)
- Refer to Blind Peninsula Wall Cabinet Installation Chart for specifications
- Must order Universal Fillers separately
- Specialty Door cabinets (SD) feature Matching Interior standard and require a specialty door selection

APC
CCH
FE
ID
MI
PE
RD
VDO

12" DEEP

42"H • 3 shelves BLPW2442 BUTT ■ BLPW2442 BUTT SD	39"H • 3 shelves BLPW2439 BUTT ■ BLPW2439 BUTT SD	36"H • 2 shelves BLPW2436 BUTT ■ BLPW2436 BUTT SD	30"H • 2 shelves BLPW2430 BUTT ■ BLPW2430 BUTT SD	24"H • 1 shelf BLPW2424 BUTT ■ BLPW2424 BUTT SD
--	--	--	--	--

Microwave Wall Cabinets + 2 Butt Doors

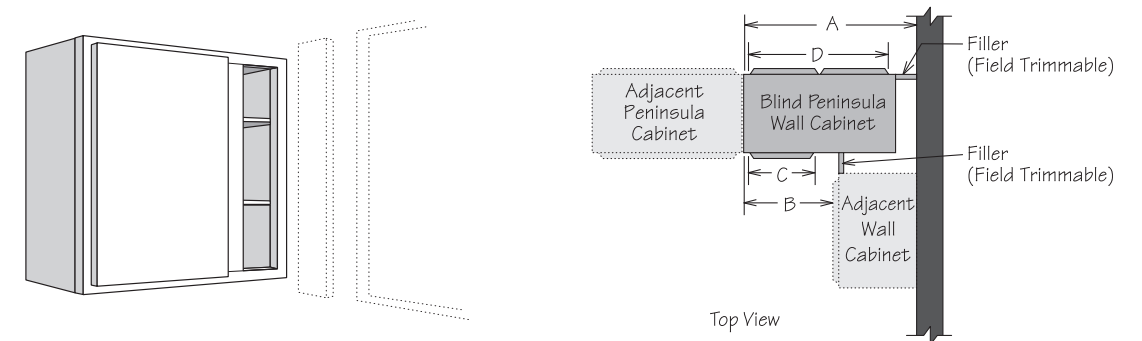


- Must be installed between two cabinets or a cabinet and a wall
- Designed to accommodate microwaves with trim kit
- A cutout exists in the door area where the 3 5/8" stiles are routed to 1 5/8"
- Refer to appliance manufacturers specifications for adequate clearances
- Not drilled for adjustable shelf

APC
CCH
FE
ID
PE
RD
VDO

18" DEEP	A		B	
	ACTUAL	MAX.	ACTUAL	MAX.
42"H • no shelf				
WMC301842 BUTT	23 3/4"	28"	12 1/4"	20"
39"H • no shelf				
WMC301839 BUTT	23 3/4"	28"	11 3/4"	19 1/2"
36"H • no shelf				
WMC301836 BUTT	23 3/4"	28"	11 3/4"	19 1/2"
21" DEEP				
42"H • no shelf				
WMC302142 BUTT	23 3/4"	28"	12 1/4"	20"
39"H • no shelf				
WMC302139 BUTT	23 3/4"	28"	11 3/4"	19 1/2"
36"H • no shelf				
WMC302136 BUTT	23 3/4"	28"	11 3/4"	19 1/2"

BLIND PENINSULA WALL CABINET INSTALLATION CHART



Full Overlay Door Styles

Full Overlay door styles require decorative hardware, which has been calculated into dimensions.

CABINET	ACTUAL CABINET WIDTH	DOOR OPENING C	DOOR C	DOOR OPENING D	DOORS (2) D	WALL SPACE A			EXPOSED FRAME B		FILLER (AT WALL)	
						MIN SPACE	MAX PULL	MAX SPACE*	MIN SPACE	MAX SPACE*	MIN	MAX*
BLPW2424 BUTT	24"	8 3/4"	DR1224	20 3/4"	DR1224 BUTT	26 1/4"	3/4"	27"	14 1/4"	15"	2 1/4"	3"
BLPW2430 BUTT	24"	8 3/4"	DR1230	20 3/4"	DR1230 BUTT	26 1/4"	3/4"	27"	14 1/4"	15"	2 1/4"	3"
BLPW2436 BUTT	24"	8 3/4"	DR1236	20 3/4"	DR1236 BUTT	26 1/4"	3/4"	27"	14 1/4"	15"	2 1/4"	3"
BLPW2439 BUTT	24"	8 3/4"	DR1239	20 3/4"	DR1239 BUTT	26 1/4"	3/4"	27"	14 1/4"	15"	2 1/4"	3"
BLPW2442 BUTT	24"	8 3/4"	DR1242	20 3/4"	DR1242 BUTT	26 1/4"	3/4"	27"	14 1/4"	15"	2 1/4"	3"

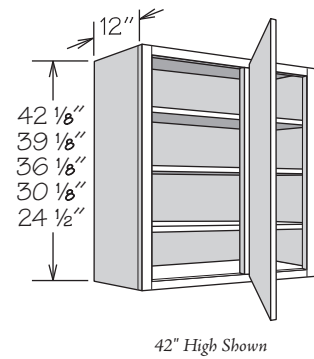
*Must use these dimensions if optional Overlay Fillers will be used.

Standard Overlay Door Styles

Wall Space A requirements include optional decorative hardware clearance. 1/4" may be deducted if decorative hardware is not used.

CABINET	ACTUAL CABINET WIDTH	DOOR OPENING C	DOOR C	DOOR OPENING D	DOORS (2) D	WALL SPACE A			EXPOSED FRAME B		FILLER (AT WALL)	
						MIN SPACE	MAX PULL	MAX SPACE	MIN SPACE	MAX SPACE	MIN	MAX
BLPW2424 BUTT	24"	8 3/4"	DR1224	20 3/4"	DR1224 BUTT	25 3/8"	1 5/8"	27"	13 3/8"	15"	1 3/8"	3"
BLPW2430 BUTT	24"	8 3/4"	DR1230	20 3/4"	DR1230 BUTT	25 3/8"	1 5/8"	27"	13 3/8"	15"	1 3/8"	3"
BLPW2436 BUTT	24"	8 3/4"	DR1236	20 3/4"	DR1236 BUTT	25 3/8"	1 5/8"	27"	13 3/8"	15"	1 3/8"	3"
BLPW2439 BUTT	24"	8 3/4"	DR1239	20 3/4"	DR1239 BUTT	25 3/8"	1 5/8"	27"	13 3/8"	15"	1 3/8"	3"
BLPW2442 BUTT	24"	8 3/4"	DR1242	20 3/4"	DR1242 BUTT	25 3/8"	1 5/8"	27"	13 3/8"	15"	1 3/8"	3"

Blind Wall Cabinet + 1 Door



- Cabinet shown as right indicating blind opening is on the right side of cabinet (must be ordered as left or right)
- Includes 1/8" panel to cover blind opening (field trim and install)
- Refer to Blind Wall Cabinet Installation Chart for specifications
- Must order Universal Filler separately
- Specialty Door cabinets (SD) feature Matching Interior standard and require a specialty door selection

APC
CCH
CFO
FE
ID
MI
PE
RD
VDO

12" DEEP

42"H • 3 shelves

BLW24/2742 ■
BLW30/3342 ■
BLW33/3642 ■
BLW24/2742 SD
BLW30/3342 SD
BLW33/3642 SD

39"H • 3 shelves

BLW24/2739 ■
BLW30/3339 ■
BLW33/3639 ■
BLW24/2739 SD
BLW30/3339 SD
BLW33/3639 SD

36"H • 2 shelves

BLW24/2736 ■
BLW30/3336 ■
BLW33/3636 ■
BLW24/2736 SD
BLW30/3336 SD
BLW33/3636 SD

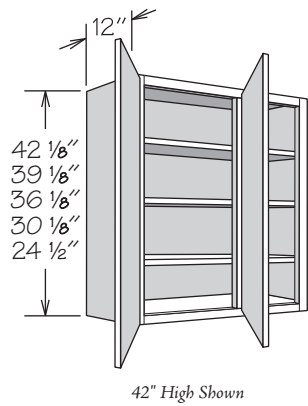
30"H • 2 shelves

BLW24/2730 ■
BLW27/3030 ■
BLW30/3330 ■
BLW33/3630 ■
BLW36/3930 ■
BLW24/2730 SD
BLW27/3030 SD
BLW30/3330 SD
BLW33/3630 SD

24"H • 1 shelf

BLW24/2724 ■
BLW27/3024 ■
BLW30/3324 ■
BLW33/3624 ■
BLW24/2724 SD
BLW27/3024 SD
BLW30/3324 SD
BLW33/3624 SD

Blind Wall Cabinet + 2 Butt Doors



- Cabinet shown as right indicating blind opening is on the right side of cabinet (can be reversed in the field)
- Includes 1/8" panel to cover blind opening (field trim and install)
- Refer to Blind Wall Cabinet Installation Chart for specifications
- Must order Universal Filler separately
- Specialty Door cabinets (SD) feature Matching Interior standard and require a specialty door selection

APC
CCH
CFO
FE
ID
MI
PE
RD
VDO

12" DEEP

42"H • 3 shelves

BLW36/3942 BUTT ■ ◆
BLW39/4242 BUTT ■
BLW42/4542 BUTT ■
BLW36/3942 BUTT SD ◆
BLW39/4242 BUTT SD
BLW42/4542 BUTT SD

39"H • 3 shelves

BLW36/3939 BUTT ■ ◆
BLW39/4239 BUTT ■
BLW42/4539 BUTT ■
BLW36/3939 BUTT SD ◆
BLW39/4239 BUTT SD
BLW42/4539 BUTT SD

36"H • 2 shelves

BLW36/3936 BUTT ■ ◆
BLW39/4236 BUTT ■
BLW42/4536 BUTT ■
BLW36/3936 BUTT SD ◆
BLW39/4236 BUTT SD
BLW42/4536 BUTT SD

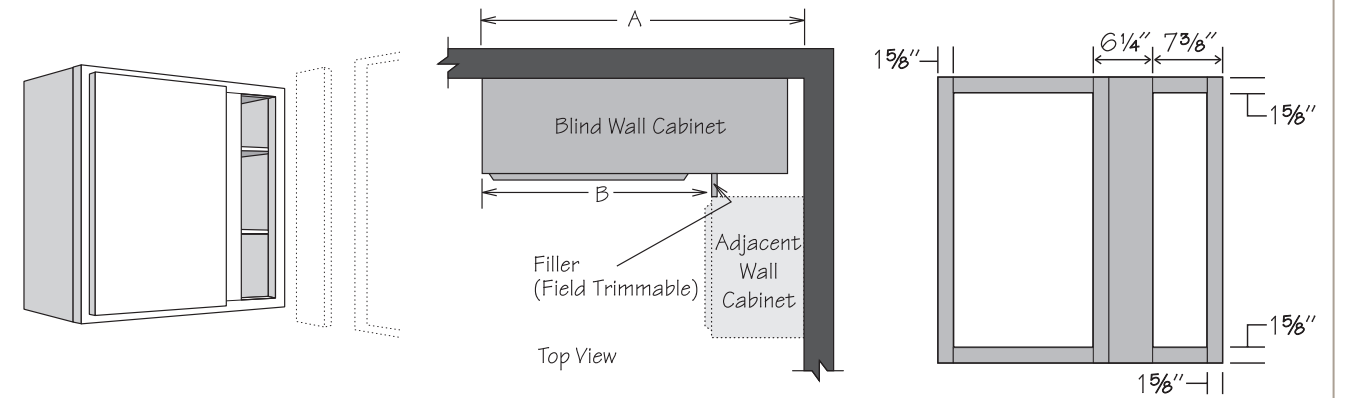
30"H • 2 shelves

BLW36/3930 BUTT ■ ◆
BLW39/4230 BUTT ■
BLW42/4530 BUTT ■
BLW45/4830 BUTT ■
BLW48/5130 BUTT ■
BLW36/3930 BUTT SD ◆
BLW39/4230 BUTT SD
BLW42/4530 BUTT SD
BLW45/4830 BUTT SD
BLW48/5130 BUTT SD

24"H • 1 shelf

BLW36/3924 BUTT ■ ◆
BLW36/3924 BUTT SD ◆

BLIND WALL CABINET INSTALLATION CHART



Full Overlay Door Styles

Full Overlay door styles require decorative hardware, which has been calculated into dimensions.

CABINET	ACTUAL CABINET WIDTH	DOOR OPENING	DOOR(S)	WALL SPACE A			EXPOSED FRAME B	
				MINIMUM SPACE*	MAXIMUM PULL	MAXIMUM SPACE	MINIMUM SPACE*	MAXIMUM SPACE
BLW24/27	24"	8 3/4"	DR12__	26 1/4"	1 3/4"	28"	14 1/4"	16"
BLW27/30	27"	11 3/4"	DR15__	29 1/4"	1 3/4"	31"	17 1/4"	19"
BLW30/33	30"	14 3/4"	DR18__	32 1/4"	1 3/4"	34"	20 1/4"	22"
BLW33/36	33"	17 3/4"	DR21__	35 1/4"	1 3/4"	37"	23 1/4"	25"
BLW36/3930	36"	20 3/4"	DR2430	38 1/4"	1 3/4"	40"	26 1/4"	28"
BLW36/39 BUTT	36"	20 3/4"	DR12__ BUTT (2)	38 1/4"	1 3/4"	40"	26 1/4"	28"
BLW39/42 BUTT	39"	23 3/4"	DR13__ BUTT (2)	41 1/4"	1 3/4"	43"	29 1/4"	31"
BLW42/45 BUTT	42"	26 3/4"	DR15__ BUTT (2)	44 1/4"	1 3/4"	46"	32 1/4"	34"
BLW45/48 BUTT	45"	29 3/4"	DR16__ BUTT (2)	47 1/4"	1 3/4"	49"	35 1/4"	37"
BLW48/51 BUTT	48"	32 3/4"	DR18__ BUTT (2)	50 1/4"	1 3/4"	52"	38 1/4"	40"

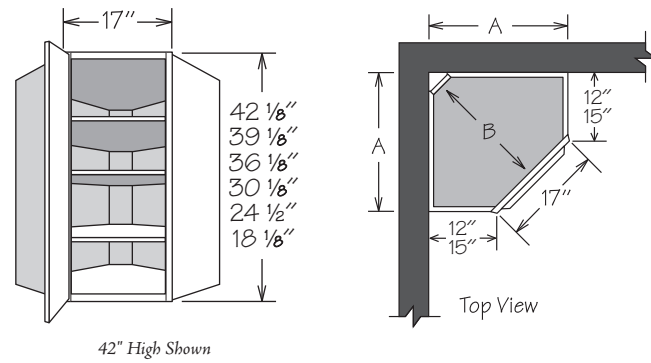
*Dimension requirements do not include optional Overlay Fillers - add 7/8" if Overlay Fillers will be used.

Standard Overlay Door Styles

Wall Space A requirements include optional decorative hardware clearance. 1/4" may be deducted if decorative hardware is not used.

CABINET	ACTUAL CABINET WIDTH	DOOR OPENING	DOOR(S)	WALL SPACE A			EXPOSED FRAME B	
				MINIMUM SPACE	MAXIMUM PULL	MAXIMUM SPACE	MINIMUM SPACE	MAXIMUM SPACE
BLW24/27	24"	8 3/4"	DR12__	25 3/8"	2 5/8"	28"	13 3/8"	16"
BLW27/30	27"	11 3/4"	DR15__	28 3/8"	2 5/8"	31"	16 3/8"	19"
BLW30/33	30"	14 3/4"	DR18__	31 3/8"	2 5/8"	34"	19 3/8"	22"
BLW33/36	33"	17 3/4"	DR21__	34 3/8"	2 5/8"	37"	22 3/8"	25"
BLW36/3930	36"	20 3/4"	DR2430	37 3/8"	2 5/8"	40"	25 3/8"	28"
BLW36/39 BUTT	36"	20 3/4"	DR12__ BUTT (2)	37 3/8"	2 5/8"	40"	25 3/8"	28"
BLW39/42 BUTT	39"	23 3/4"	DR13__ BUTT (2)	40 3/8"	2 5/8"	43"	28 3/8"	31"
BLW42/45 BUTT	42"	26 3/4"	DR15__ BUTT (2)	43 3/8"	2 5/8"	46"	31 3/8"	34"
BLW45/48 BUTT	45"	29 3/4"	DR16__ BUTT (2)	46 3/8"	2 5/8"	49"	34 3/8"	37"
BLW48/51 BUTT	48"	32 3/4"	DR18__ BUTT (2)	49 3/8"	2 5/8"	52"	37 3/8"	40"

Corner Wall Cabinets



- Must be ordered as hinged left or right
- Door opening is 11 3/4" wide
- Features a DR15_ door
- Specialty Door cabinets (SD) feature Matching Interior standard and require a specialty door selection
- 24" high cabinet's shelf is adjustable, not removable

APC	
CCH	
FE	
MI	■
PE	
VDO	■

	A	B
12" Deep	24"	21 1/2"
15" Deep	27"	25 3/4"

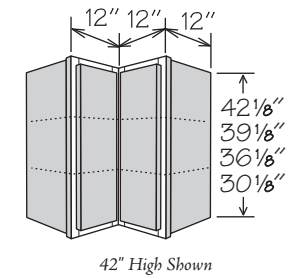
12" DEEP

42"H • 3 shelves	39"H • 3 shelves	36"H • 2 shelves	30"H • 2 shelves	24"H • 1 shelf	18"H • no shelf
CW2442 ■	CW2439 ■	CW2436 ■	CW2430 ■	CW2424 ■	CW2418 ■
CW2442 SD	CW2439 SD	CW2436 SD	CW2430 SD	CW2424 SD	CW2418 SD

15" DEEP

42"H • 3 shelves	39"H • 3 shelves	36"H • 2 shelves	30"H • 2 shelves	24"H • 1 shelf	18"H • no shelf
CW2742 ■	CW2739 ■	CW2736 ■	CW2730 ■	CW2724 ■	CW2718 ■
CW2742 SD	CW2739 SD	CW2736 SD	CW2730 SD	CW2724 SD	CW2718 SD

Wall Easy Reach

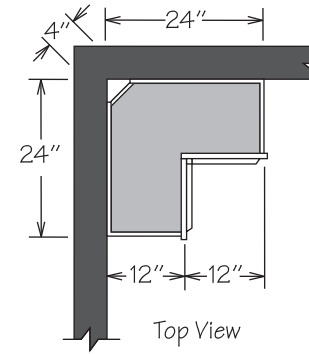


- Must be ordered as hinged left or right
- Doors open 170°

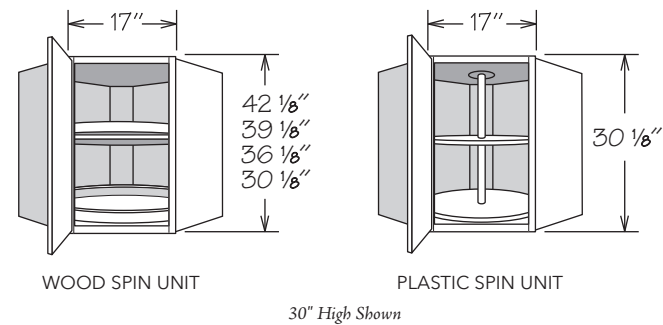
APC	
FE	
MI	
PE	

12" DEEP

42"H • 3 shelves	36"H • 2 shelves
WER2442	WER2436
39"H • 3 shelves	30"H • 2 shelves
WER2439	WER2430



Corner Wall Cabinets • with Spin Units



- Must be ordered as hinged left or right
- Door opening is 11 3/4" wide
- Features a DR15_ door
- Wood Spin Units feature:
 - » Natural finish with 1" lip and are 18" in diameter
 - » One fixed wood spin unit mounted on cabinet floor and all other spin units are attached to 3/4" adjustable shelf
- Plastic Spin Units feature:
 - » Two 18" diameter full round spin shelves with pole (top shelf adjustable)
 - » Shelves are white high strength plastic
- Specialty Door cabinets (SD) feature Matching Interior standard and require a specialty door selection

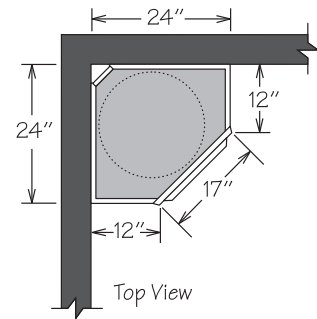
APC	
CCH	
FE	
MI	■
PE	
VDO	■

WOOD SPIN UNIT

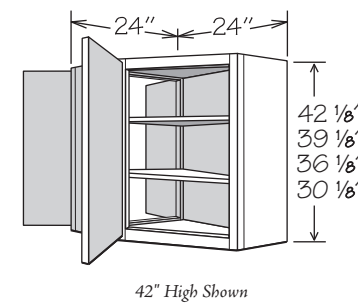
42"H • 3 spin units
CWS2442 WD ■
CWS2442 WD SD
39"H • 3 spin units
CWS2439 WD ■
CWS2439 WD SD
36"H • 2 spin units
CWS2436 WD ■
CWS2436 WD SD
30"H • 2 spin units
CWS2430 WD ■
CWS2430 WD SD

PLASTIC SPIN UNIT

30"H • 2 spin units
CWS2430 ■
CWS2430 SD



Peninsula Corner Wall

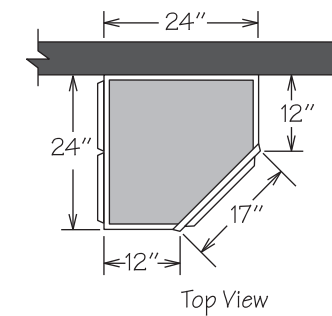


- Must be ordered as hinged left or right
- Two butt doors on peninsula side
- Recommend attachment to soffit or ceiling and to all adjacent cabinets
- Glass Shelf Kit not available
- Specialty Door cabinets (SD) feature Matching Interior standard and require a specialty door selection

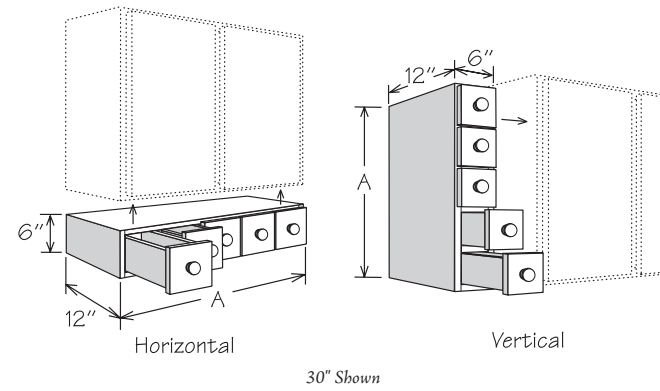
APC	
CCH	
FE	
MI	■
PE	
VDO	■

12" DEEP

42"H • 3 shelves	36"H • 2 shelves
PWCW2442 BUTT ■	PWCW2436 BUTT ■
PWCW2442 BUTT SD	PWCW2436 BUTT SD
39"H • 3 shelves	30"H • 2 shelves
PWCW2439 BUTT ■	PWCW2430 BUTT ■
PWCW2439 BUTT SD	PWCW2430 BUTT SD



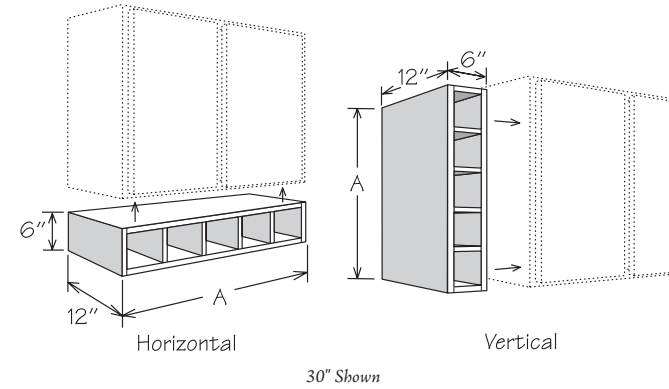
Spice Drawer Cabinet



- Designed for horizontal or vertical installation
- Vertical installation may require the use of fillers and/or molding which must be ordered separately
- All door styles feature veneered engineered wood
- Flush sides with no face frame or 1/4" reveals
- All wood drawer body with dovetail construction
- Wood door styles feature matching wood knobs
- Breeze, Linen, Pewter, and White door styles feature white porcelain knobs
- Duraform or Thermofoil door styles feature drawer fronts finished to match cabinet box exterior

12" DEEP	A	NUMBER OF DRAWERS
SDC18	18"	3
SDC24	24"	4
SDC30	30"	5
SDC36	36"	6

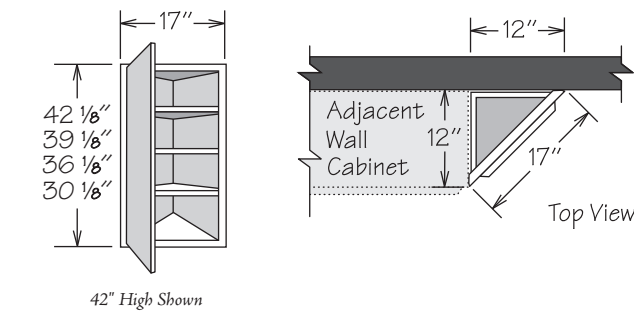
Storage Cube



- Designed for horizontal or vertical installation
- Vertical installation may require the use of fillers and/or molding which must be ordered separately
- Opening size is 5" wide x 4 1/2" high (horizontal) which will accommodate most wine bottles and various other storage needs
- All door styles feature 3/4" veneered engineered wood finished to match cabinet box exterior
- Flush sides with no face frame or 1/4" reveals
- Interior finished to match cabinet box exterior
- Cannot be retrofitted with Spice Drawer Cabinet drawers

12" DEEP	A	NUMBER OF OPENINGS
SC30	30"	5
SC36	36"	6
SC42	42"	7

Wall End Angle + 1 Door

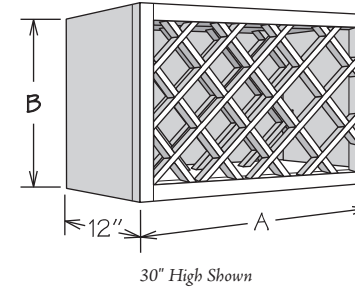


- Requires 12" x 12" space
- Features a DR15_ door
- Must be ordered as hinged left or right
- Specialty Door cabinets (SD) feature Matching Interior standard and require a specialty door selection

APC
CCH
MI
PE
VDO

12" DEEP	39"H • 3 shelves	36"H • 2 shelves	30"H • 2 shelves
42"H • 3 shelves	WEA1239	WEA1236	WEA1230
WEA1242	WEA1239 SD	WEA1236 SD	WEA1230 SD
WEA1242 SD			

Wine Rack Cabinet

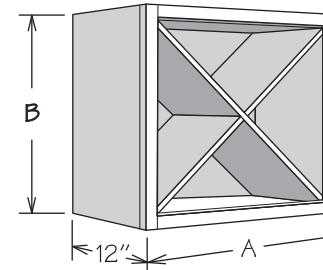


- Interior finished to match cabinet box exterior
- Wine bottle opening is 4" x 4"

APC
FE
PE

12" DEEP	A	B	NUMBER OF BOTTLES
30"H			
WRC1530	15"	30 1/8"	10
WRC1830	18"	30 1/8"	11
18"H			
WRC3018	30"	18 1/8"	11
15"H			
WRC3015	30"	15 1/8"	10
WRC3615	36"	15 1/8"	13

Wine Storage Cabinet

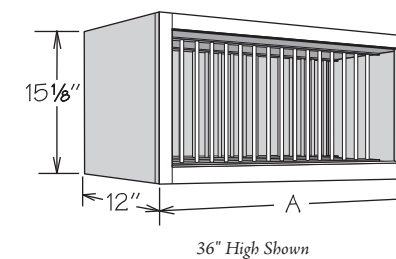


- Interior finished to match cabinet box exterior
- Standard cabinet sides are 1/2" engineered wood with TuffTech finish
- All door styles feature 3/4" plywood partitions
- Cabinet must be installed between two adjacent cabinets or one cabinet and wall
- Accent molding recommended - order separately

APC
FE
PE

12" DEEP	A	B	NUMBER OF BOTTLES
24"H			
WSC2424	24"	24 1/2"	30
18"H			
WSC1818	18"	18 1/8"	12

Wall China Cabinet

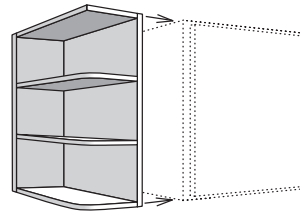


- Interior finished to match cabinet box exterior
- Use with 1 1/2" diameter (or smaller) dinner plates
- Spindles can be removed for cleaning
- Spindles shipped not installed
- Accent molding recommended - order separately
- Use of accent molding will reduce available plate diameter to 11"

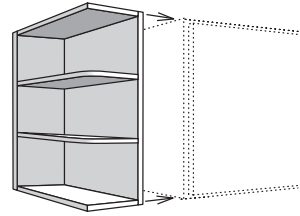
APC
FE
PE

12" DEEP	A	NUMBER OF PLATES
WCC2415	24"	9
WCC3015	30"	12
WCC3615	36"	15

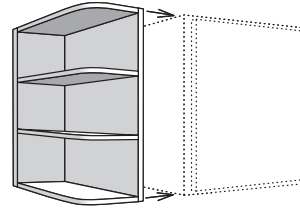
Shelf End Wall



SQUARE TOP, ROUND BOTTOM (SQT)



SQUARE TOP & BOTTOM (SQTb)



ROUND TOP & BOTTOM (SEW)

- Interior finished to match cabinet box exterior
- Features 1/2" veneered engineered wood back and side
- Top, bottom, and shelves are 3/4" veneered engineered wood
- Rounded shelves feature a 3" radius
- 1 1/8" screw recommended from inside of adjacent cabinet for installation

12" DEEP

42"H • 3 shelves

- SEW42L SQT
- SEW42R SQT
- SEW42 SQTb
- SEW42

39"H • 3 shelves

- SEW39L SQT
- SEW39R SQT
- SEW39 SQTb
- SEW39

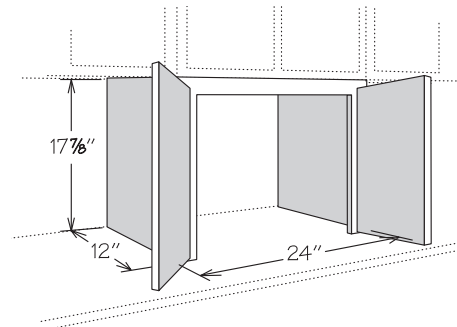
36"H • 2 shelves

- SEW36L SQT
- SEW36R SQT
- SEW36 SQTb
- SEW36

30"H • 2 shelves

- SEW30L SQT
- SEW30R SQT
- SEW30 SQTb
- SEW30

Straight Appliance Garage



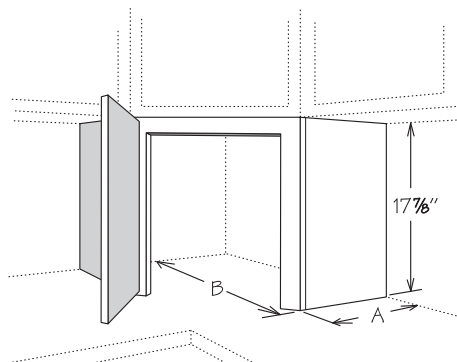
- Installs below minimum 24" wide wall cabinet
- 17 3/4" wide x 16 1/4" high opening
- Shipped with end panels unattached
- No bottom rail

APC
CCH
FE
ID
MI
PE
RD
VDO

12" DEEP

- AGSD24 BUTT
- AGSD24 BUTT SD

Corner Appliance Garage



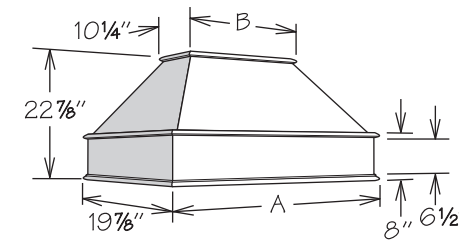
- Installs below CW and CWS Corner Wall cabinets
- 11 3/4" wide x 16 1/4" high opening
- Shipped with end panels unattached
- No bottom rail

APC
CCH
FE
MI
PE
VDO

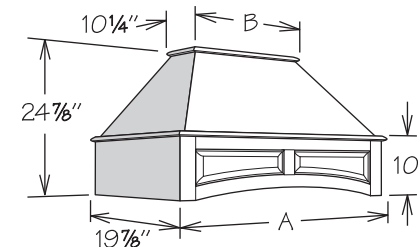
12" DEEP

	A	B	15" DEEP	A	B
AGD2418	12"	24"	AGD2718	15"	27"
AGD2418 SD	12"	24"	AGD2718 SD	15"	27"

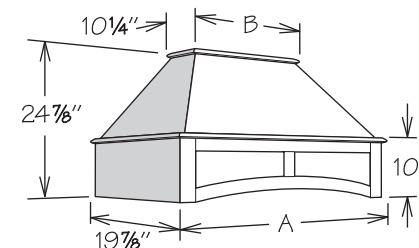
Range Hood



STRAIGHT VALANCE _SV



RAISED PANEL ARCHED VALANCE _AV

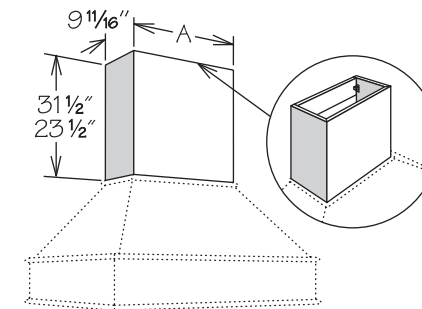


FLAT PANEL ARCHED VALANCE _FV

- Wall mounted installation only
- Silver metallic liner included - liner is specific to range hood and blower ordered
 - » If no blower is ordered, RHLINER_A or RHLINER_S will be included
- May be accessorized with Range Hood Chimney - order separately
- All door styles are finished to match cabinet box exterior

	A	B
Straight Valance		
RH3624 SV	37 3/4"	18 3/4"
RH4224 SV	43 3/4"	24 3/4"
RH4824 SV	49 3/4"	30 3/4"
Raised Panel Arched Valance		
RH3624 AV	37 3/4"	18 3/4"
RH4224 AV	43 3/4"	24 3/4"
RH4824 AV	49 3/4"	30 3/4"
Flat Panel Arched Valance		
RH3624 FV	37 3/4"	18 3/4"
RH4224 FV	43 3/4"	24 3/4"
RH4824 FV	49 3/4"	30 3/4"

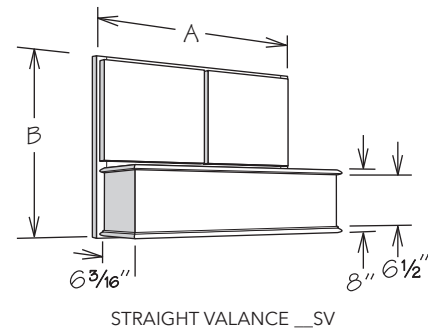
Range Hood Chimney



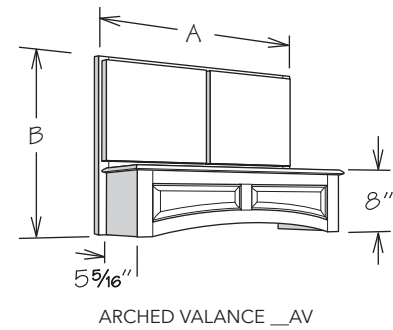
- Field trimmable in height
- All door styles feature 3/4" solid wood finished to match cabinet box exterior
- Features two chimney mounting blocks with metal fasteners
- For use with Straight Valance, Raised Panel Arched Valance, or Flat Panel Arched Valance Range Hoods

31 1/2" HIGH	A	23 1/2" HIGH	A
RHC3631	17 3/8"	RHC3623	17 3/8"
RHC4231	23 3/8"	RHC4223	23 3/8"
RHC4831	29 3/8"	RHC4823	29 3/8"

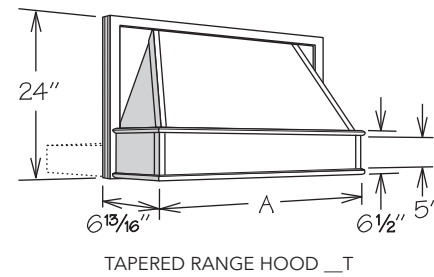
Wall Range Hood



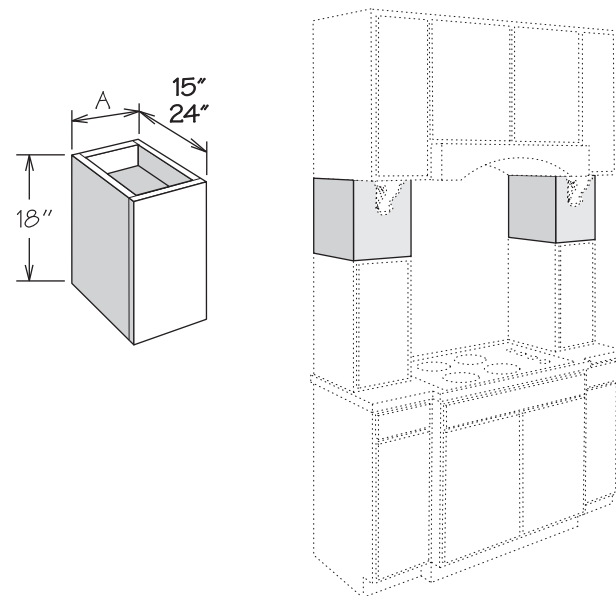
- Must be installed between two wall cabinets
- Wall Range Hood doors will match door style ordered
- Door opens to allow for duct work installation and wiring
- Silver metallic liner included
- Order blower separately - not for use with RHVENT 960
- All door styles are finished to match cabinet box exterior
- For Duraform and Thermofoil door styles, only the doors will be wrapped for the Straight and Arched Valance Range Hoods



	A	B	DOORS
Straight Valance			
WRH3024 SV	30"	24"	(2) DR1515 BUTT
WRH3624 SV	36"	24"	(2) DR1815 BUTT
WRH3027 SV	30"	27"	(2) DR1518 BUTT
WRH3627 SV	36"	27"	(2) DR1818 BUTT
WRH3030 SV	30"	30"	(2) DR1521 BUTT
WRH3630 SV	36"	30"	(2) DR1821 BUTT
Arched Valance			
WRH3024 AV	30"	24"	(2) DR1515 BUTT
WRH3624 AV	36"	24"	(2) DR1815 BUTT
WRH3027 AV	30"	27"	(2) DR1518 BUTT
WRH3627 AV	36"	27"	(2) DR1818 BUTT
WRH3030 AV	30"	30"	(2) DR1521 BUTT
WRH3630 AV	36"	30"	(2) DR1821 BUTT
Tapered Range Hood			
RH3024 T	30"	-	-
RH3624 T	36"	-	-



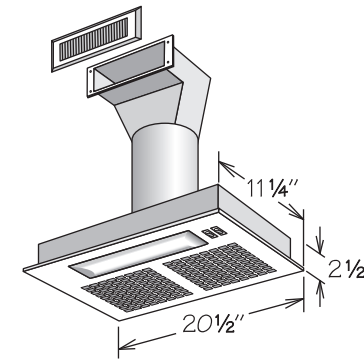
Plain Box Filler



- Veneered engineered wood
- Features 1/4" reveal
- Trimmable in height to 14 1/8" tall
- Reversible for left or right installation

24" DEEP	A	15" DEEP	A
WPB91824	9"	WPB91815	9"
WPB121824	12"	WPB121815	12"

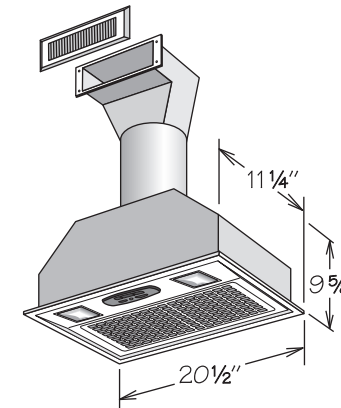
Range Hood Blower + 250 CFM Recirculating



- Designed for recirculating installation where exhaust is vented back into kitchen
- Includes ductwork, metal soffit air grille, charcoal filter(s), and clips
- Durable, powder coated silver finish
- Features a two-speed motor and enclosed light controlled by rocker switches
- 6 5/8" fan provides 250 CFM air delivery and sound level of 8.0 sones
- Includes 2 light bulbs
- Installation and care instructions included
- 3" x 10" cutout required for metal grille
- Metal grille measures 5 5/8" x 11 1/4"

RHVENT 250R

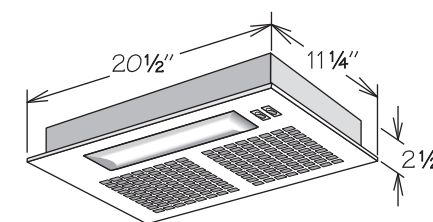
Range Hood Blower + 390 CFM Recirculating



- Designed for recirculating installation where exhaust is vented back into kitchen
- Includes ductwork, metal soffit air grille, charcoal filter(s), and clips
- Durable, powder coated silver finish
- Features a multi-speed fan and enclosed light controlled by separate switches
- Centrifugal blower provides 390 CFM air delivery and sound level of 5.5 sones
- Includes 2 light bulbs
- Installation and care instructions included
- 3" x 10" cutout required for metal grille
- Metal grille measures 5 5/8" x 11 1/4"

RHVENT 390R

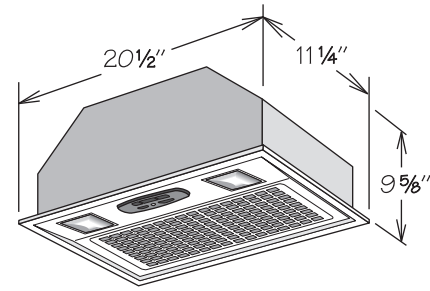
Range Hood Blower + 250 CFM Vented



- Designed for vented installation where exhaust is vented to exterior of home
- Durable, powder coated silver finish
- Features a two-speed motor and enclosed light controlled by rocker switches
- 6 5/8" fan provides 250 CFM air delivery and sound level of 8.0 sones
- Includes one-piece washable aluminum mesh filter
- Light bulbs not included
- Requires 7" round duct for venting to exterior (not included)
- Installation and care instructions included

RHVENT 250

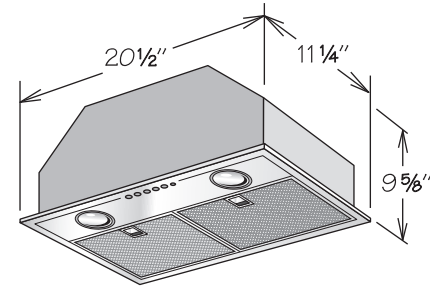
Range Hood Blower + 390 CFM Vented



- Designed for vented installation where exhaust is vented to exterior of home
- Durable, powder coated silver finish
- Features a multi-speed fan and enclosed light controlled by separate switches
- Centrifugal blower provides 390 CFM air delivery and sound level of 5.5 sones
- Includes one-piece washable aluminum mesh filter
- Light bulbs not included
- Requires 6" round duct for venting to exterior (not included)
- Installation and care instructions included

RHVENT 390

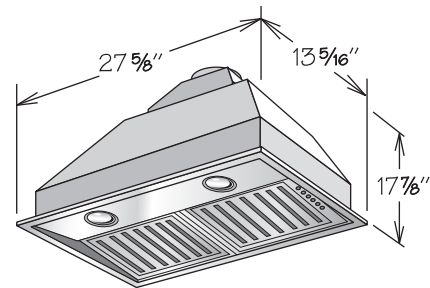
Range Hood Blower + 500 CFM Vented



- Designed for vented installation where exhaust is vented to exterior of home
- Durable, stainless steel with brushed finish
- Features a multi-speed fan and enclosed light controlled by separate switches
- Centrifugal blower provides 500 CFM air delivery and sound level of 9.0 sones
- Light bulbs not included
- Includes two washable filters with stainless steel covers
- Requires 6" round duct for venting to exterior (not included)
- Installation and care instructions included

RHVENT 500

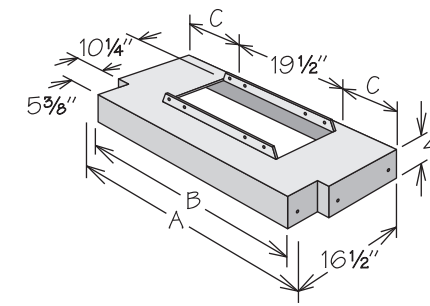
Range Hood Blower + 960 CFM Vented



- Designed for vented installation where exhaust is vented to exterior of home
- Durable stainless steel with brushed finish
- Features a 4-speed push-button control to offer greater CFM flexibility; 960 CFM, 660 CFM, 480 CFM and 300 CFM
- Centrifugal blower provides 960 CFM air delivery and sound level of 5.1 sones on highest speed
- Includes two 4-watt 12v MR16 LED bulbs - daylight
- Stainless baffle filters are easily removed for cleaning (dishwasher safe)
- 10 minute delay off timer
- Requires 7" round duct for venting to exterior (not included)
- Installation and care instructions included
- Not designed for use with the following:
 - Tapered Range Hoods
 - Straight Valance Wall Range Hoods
 - Arched Valance Wall Range Hoods

RHVENT 960

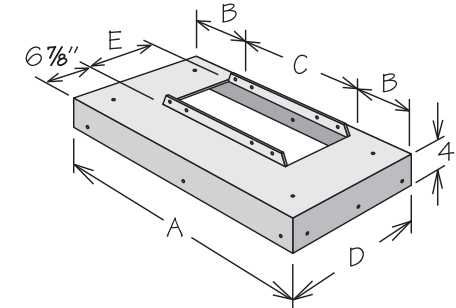
Tapered Hood Liner



- Liner is silver metallic powder coated metal
- For use with RH__ T, WRH__ SV, and WRH__ AV (liner included with Range Hood)

	A	B	C
RHLINER 30	29 15/16"	26 3/16"	5 7/32"
RHLINER 36	35 15/16"	32 3/16"	8 7/32"

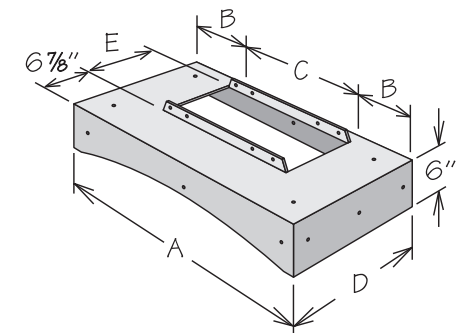
Straight Valance Hood Liner



- Liner finish is silver metallic powder-coated material
- For use with Straight Valance Range Hoods (RH__ SV)
- RHLINER_S SL1 must be used with RHVENT 960 blower
- RHLINER_S for use with all blowers except RHVENT 960
- One liner included with range hood (liner is specific to range hood and blower ordered)

	A	B	C	D	E
RHLINER 36S	34 1/32"	7 7/16"	19 1/2"	18 1/4"	10 1/4"
RHLINER 42S	40 1/32"	10 7/16"	19 1/2"	18 1/4"	10 1/4"
RHLINER 48S	46 1/32"	13 7/16"	19 1/2"	18 1/4"	10 1/4"
RHLINER 36S SL1	34 1/32"	3 3/4"	26 13/16"	18 3/16"	12 7/16"
RHLINER 42S SL1	40 1/32"	6 3/4"	26 13/16"	18 3/16"	12 7/16"
RHLINER 48S SL1	46 1/32"	9 3/4"	26 13/16"	18 3/16"	12 7/16"

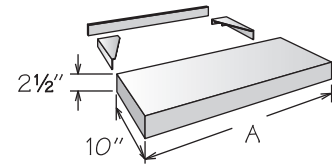
Arched Valance Hood Liner



- Liner finish is silver metallic powder-coated material
- Liner features front arch to correspond with the Raised or Flat Valance Range Hood
- For use with Raised or Flat Valance Range Hoods (RH__ AV and RH__ FV)
- RHLINER_A SL1 must be used with RHVENT 960 blower
- RHLINER_A for use with all blowers except RHVENT 960
- One liner included with range hood (liner is specific to range hood and blower ordered)

	A	B	C	D	E
RHLINER 36A	34 17/32"	7 17/32"	19 1/2"	18 1/4"	10 1/4"
RHLINER 42A	40 17/32"	10 17/32"	19 1/2"	18 1/4"	10 1/4"
RHLINER 48A	46 17/32"	13 17/32"	19 1/2"	18 1/4"	10 1/4"
RHLINER 36A SL1	34 17/32"	3 7/8"	26 13/16"	18 1/4"	12 7/16"
RHLINER 42A SL1	40 17/32"	6 7/8"	26 13/16"	18 1/4"	12 7/16"
RHLINER 48A SL1	46 17/32"	9 7/8"	26 13/16"	18 1/4"	12 7/16"

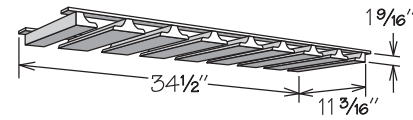
Floating Shelf



- Not trimmable
- Finished on all sides to match cabinet box exterior
- Features veneered engineered wood top and bottom and solid wood front and sides
- When installed between two cabinets, Furniture Ends (FE) is recommended for adjacent cabinets
- Must be secured to studs in wall
- Installation instructions, mounting brackets and screws included

10" DEEP	A	MAX. LOAD
FLSH2410	24"	30 lbs.
FLSH3010	30"	37 lbs.
FLSH3610	36"	45 lbs.
FLSH4210	42"	52 lbs.
FLSH4810	48"	60 lbs.

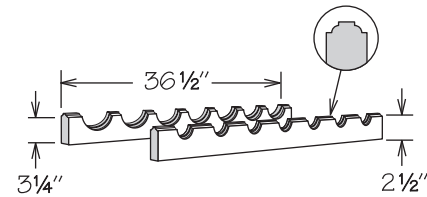
Stem Glass Holder



- Field trimmable to install below 18", 24", 30", or 36" wide wall cabinet
- All door styles feature solid wood finished to match cabinet box exterior
- Maximum stem glass base is 3 1/2" in diameter
- Not sized to fit modified depth cabinets

SGH36U

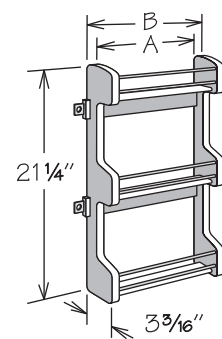
Wine Rack



- Field trimmable to 24" (five bottles) or 30" (six bottles)
- All door styles feature solid wood finished to match cabinet box exterior

WR36

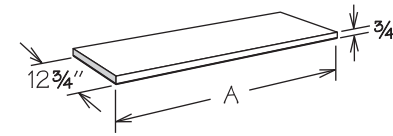
Spice Rack Kit



- Field installation accessory
- For wall cabinets 30" or higher
- Position cabinet adjustable shelves prior to installation
- Natural finish solid wood with chrome rails
- Three fixed shelves
- SRK15 mounts to 15" wide door
- SRK18 mounts to 18" wide door
- SRK21 mounts to 21" wide door

	A	B
SRK15	9 1/2"	10 1/2"
SRK18	12 1/2"	13 1/2"
SRK21	15 1/2"	16 1/2"

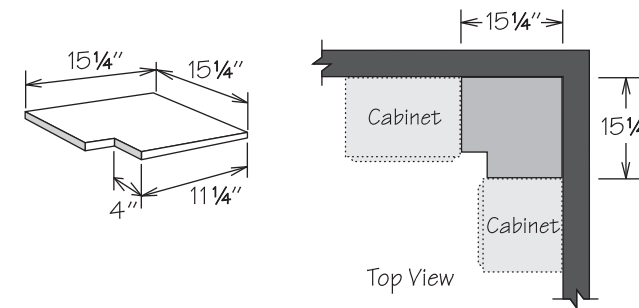
Finished Shelf



- Standard finished shelves feature veneered engineered wood, edge banded on all sides with top and bottom finished to match cabinet box exterior
- Textured finished shelves feature engineered wood, edge banded on all sides with top and bottom textured-wrapped to match cabinet door - available for Breeze, Cascade, and Drift finishes only
- Field trimmable

STANDARD	TEXTURED	A
FS4812	FS4812 DT	48 1/4"
FS6012	FS6012 DT	60 1/4"
FS7212	FS7212 DT	72 1/4"

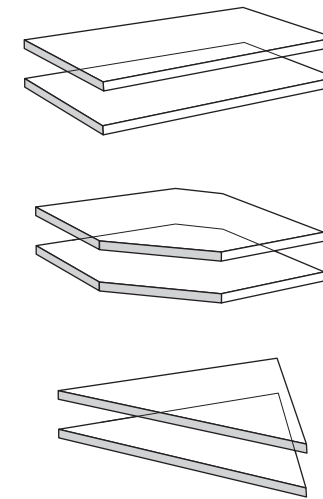
Blind Corner Closure



- Features 1/2" engineered wood finished on both sides
- Field trimmable

BLC1515

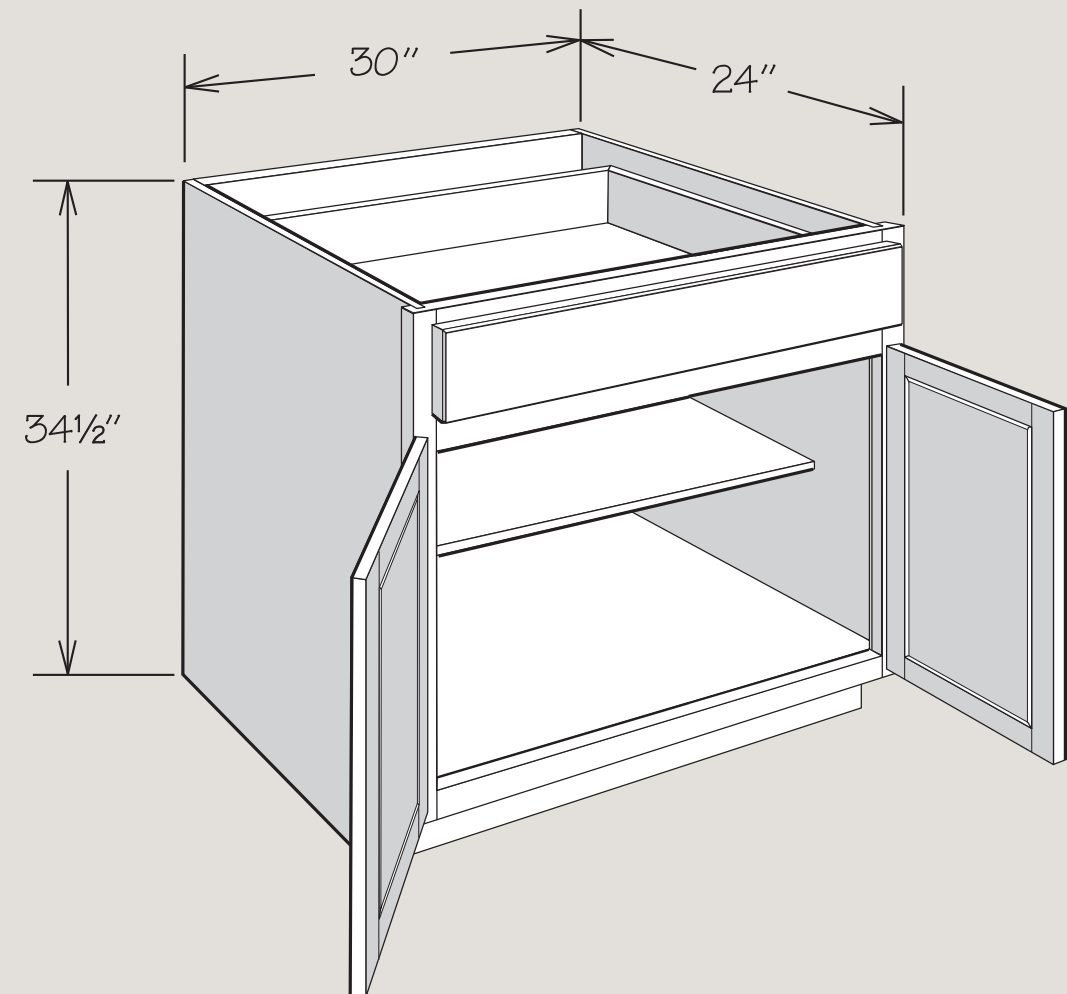
Glass Shelf Kit NEW | SIZES



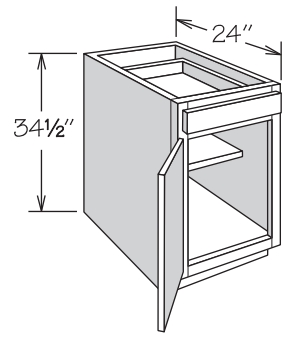
- Glass Shelf Kit includes two 1/4" high-strength tempered glass shelves
- Kit does not include shelf rests
- Refer to individual SKU box for number of shelves required and/or available
- GSK12 - GSK36 is 10 1/4" deep
- GSK12-15 - GSK36-15 is 13 1/4" deep
- Tempered glass cannot be field trimmed
- Glass Shelf Kits 12" - 24" wide have a 15 lb. per square foot load rating
- Glass Shelf Kits 27" - 36" wide have a 5 lb. per square foot load rating

12" DEEP	15" DEEP
GSK12	GSK12-15
GSK15	GSK15-15
GSK18	GSK18-15
GSK21	GSK21-15
GSK24	GSK24-15
GSK27	GSK27-15
GSK30	GSK30-15
GSK33	GSK33-15
GSK36	GSK36-15
GSKCW24	GSKCW27
GSKWEA12	

BASE CABINETS



Base Cabinet + 1 Door and 1 Drawer NEW | OPTION

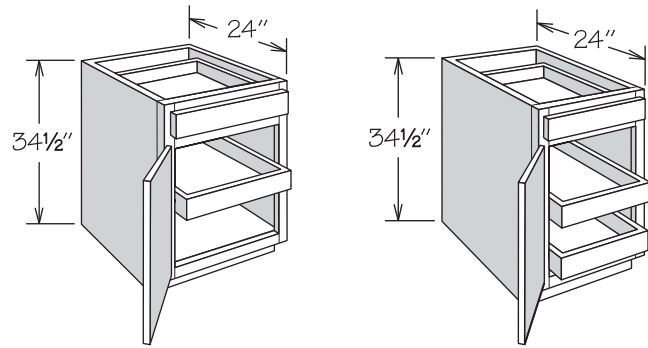


- Half-depth adjustable shelf
- Hinged left and can be reversed in the field

APC
CCH
CCDW
CFO
FADW
FE
FDS
IF
PE
RD
RTK

1 SHELF
 B12
 B15
 B18
 B21
 B24

Base Cabinet + 1 Door, 1 Drawer and Sliding Shelves NEW | OPTION



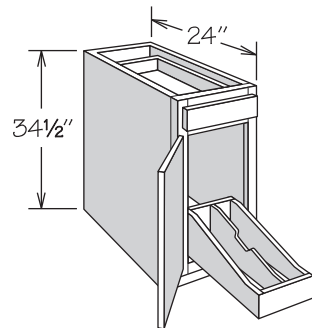
- Sliding shelves are not adjustable
- Engineered wood sliding shelves with solid hardwood front, MDF bottom, and side-mounted drawer glides
- Hinged left and can be reversed in the field

APC
CCH
CCDW
CCSS
FADW
FASS
FE
PE
RD
RTK
VTD

1 SLIDING SHELF
 B12 SS1
 B15 SS1
 B18 SS1
 B21 SS1
 B24 SS1

2 SLIDING SHELVES
 B12 SS2
 B15 SS2
 B18 SS2
 B21 SS2
 B24 SS2

Base Cabinet + 1 Door, 1 Drawer and Roll-Out Tray Divider

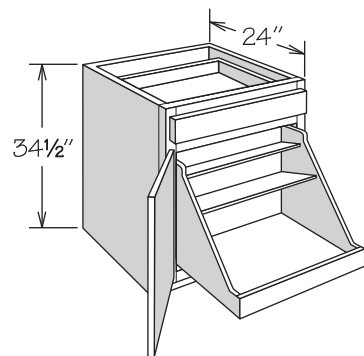


- Roll-Out Tray Divider in natural finish solid wood and wood veneer with dovetail construction and full-extension drawer glides
- B12 FAROTD features two compartments (one partition)
- B15 FAROTD features three compartments (two partitions)
- Partitions are field installed
- No shelf
- Hinged left and can be reversed in the field

APC
CCH
CCDW
CCSS
FADW
FE
PE
RTK

ROLL-OUT TRAY DIVIDER
 B12 FAROTD
 B15 FAROTD

Base Cabinet + 1 Door, 1 Drawer and Pot & Pan Organizer NEW | OPTION

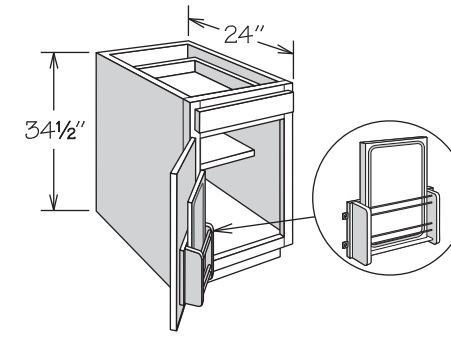


- Organizer in natural finish solid wood and wood veneer with dovetail construction and full-extension drawer glides
- Top shelf of organizer measures 6 3/8" deep
- Middle shelf of organizer measures 9 3/4" deep
- Hinged left and can be reversed in the field

APC
CCH
CCDW
CCSS
FADW
FE
IF
PE
RTK
VTD

BASE POT & PAN ORGANIZER
 B24 FABPPO

Base Cabinet + 1 Door, 1 Drawer and Door Kits

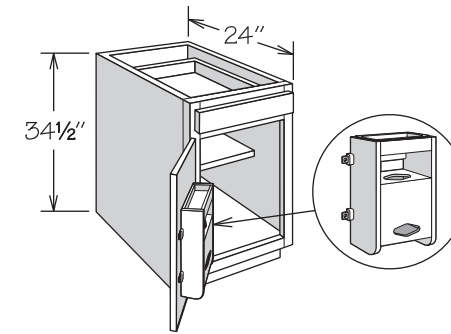


- Half-depth adjustable shelf
- Kits packaged separately for field installation
- Cannot be used with sliding shelves
- Plastic Bag Door Storage Kit:
 - » Natural finish solid wood and wood veneer
 - » Removable white plastic tray is NOT dishwasher safe
- Cutting Board Door Rack Kit:
 - » Natural finish solid wood features chrome rails
 - » Solid wood cutting board is NOT dishwasher safe
 - » Cutting board measures 15 1/8" x 10 3/8" x 1 3/16"
- Hinged left and can be reversed in the field

APC
CCH
CCDW
FADW
FE
PE
RTK

CUTTING BOARD DOOR RACK

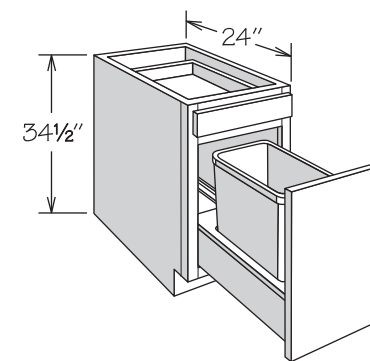
CUTTING BOARD DOOR RACK KIT
 B18 CBDR



PLASTIC BAG DOOR STORAGE

PLASTIC BAG DOOR STORAGE KIT
 B15 PBDSU
 B18 PBDSU

Base Cabinet + 1 Drawer and Door with Wastebasket Pull-Out



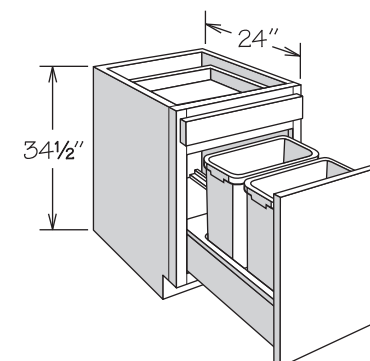
- Wastebasket rests in a natural maple plywood frame
- Wastebasket pull-out features heavy-duty, full-extension, 132-pound rated glides
- Upgraded drawer options apply to top drawer and wastebasket pull-out
- BWBB15 features one silver plastic 35-quart capacity bin
- BWBB15-2 features two silver plastic 27-quart capacity bins
- BWBB18-2 and BWBB21-2 feature two silver plastic 35-quart capacity bins
- Decorative hardware strongly recommended

APC
CCDW
FADW
FE
IF
PE
RTK

1 WASTEBASKET
 BWBB15

2 WASTEBASKETS
 BWBB15-2
 BWBB18-2
 BWBB21-2

1 WASTEBASKET

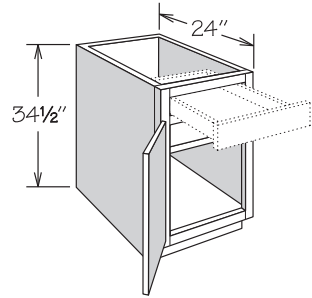


2 WASTEBASKETS

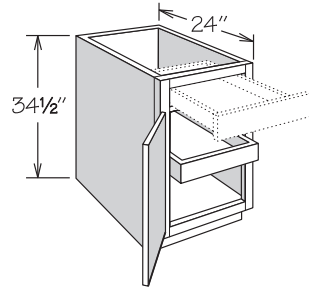
Base Cabinets with Drawer Accessories

NEW | OPTION

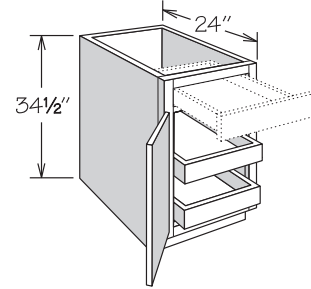
1 Select a base cabinet configuration below. Example: B15 SS2 (Base Cabinet with Two Sliding Shelves).



1 SHELF



1 SLIDING SHELF



2 SLIDING SHELVES

- APC
- CCH
- CCDW
- CCSS
- FADW
- FASS
- FDS
- FE
- PE
- RTK

1 SHELF

- B15 * ◆
- B18 * ◆
- B21 * ◆
- B24 * ◆
- B24 BUTT * ◆

1 SLIDING SHELF

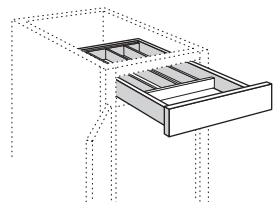
- B15 SS1 * ■
- B18 SS1 * ■
- B21 SS1 * ■
- B24 SS1 * ■
- B24 SS1 BUTT * ■

2 SLIDING SHELVES

- B15 SS2 * ■
- B18 SS2 * ■
- B21 SS2 * ■
- B24 SS2 * ■
- B24 SS2 BUTT * ■

2 Choose a factory installed base drawer accessory below. Example: Wood Tiered Cutlery Divider (WTCD).

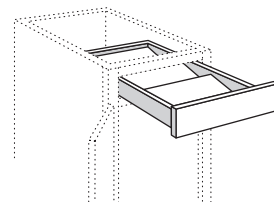
Cutlery Divider + CD



WIDTH	SECTIONS
15"	3
18"	4
21"	5
24"	5

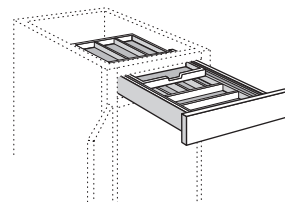
- Solid hardwood and plywood cutlery divider in natural finish

Spice Drawer Insert + SDI



- Solid hardwood and plywood spice drawer insert in natural finish
- Accommodates most spice containers (not included)

Wood Tiered Cutlery Divider + WTCD



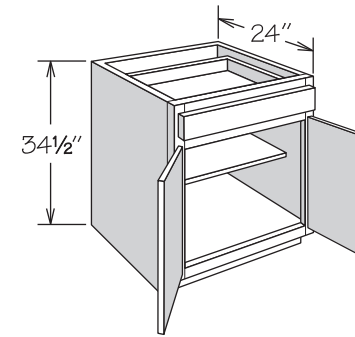
WIDTH	UPPER SECTION	LOWER SECTION
15"	5	5
18"	5	6
21"	6	7
24"	7	7

- Double-tiered cutlery divider slides independently from drawer
- Solid hardwood and plywood double-tiered cutlery divider in natural finish
- Features solid hardwood dovetail drawer in natural finish

3 Replace the asterisk (*) with the code for the drawer accessory to order as a factory installed accessory. Example: B15 SS2 WTCD.

Base Cabinet + 2 Butt Doors and 1 Drawer

NEW | OPTION



- Half-depth adjustable shelf
- Center support for shelf provided for cabinets 27" or wider

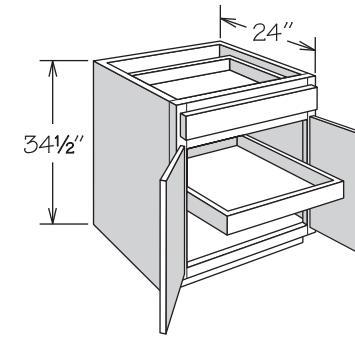
1 SHELF

- B24 BUTT
- B27 BUTT
- B30 BUTT
- B33 BUTT
- B36 1TD BUTT

- APC
- CCH
- CCDW
- CFO
- FADW
- FE
- FDS
- IF
- PE
- RD
- RTK

Base Cabinet + 2 Butt Doors, 1 Drawer and Sliding Shelves

NEW | OPTION



- Sliding shelves are not adjustable
- Engineered wood sliding shelves with solid hardwood front, MDF bottom, and side-mounted drawer glides

1 SLIDING SHELF

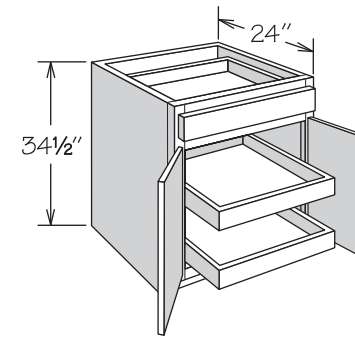
1 SLIDING SHELF

- B24 SS1 BUTT
- B27 SS1 BUTT
- B30 SS1 BUTT
- B33 SS1 BUTT
- B36 SS1 1TD BUTT

2 SLIDING SHELVES

- B24 SS2 BUTT
- B27 SS2 BUTT
- B30 SS2 BUTT
- B33 SS2 BUTT
- B36 SS2 1TD BUTT

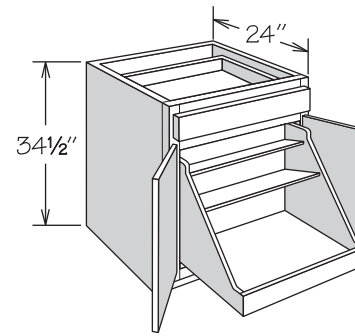
- APC
- CCH
- CCDW
- CCSS
- FADW
- FASS
- FE
- PE
- RD
- RTK
- VTD



2 SLIDING SHELVES

Base Cabinet + 2 Butt Doors, 1 Drawer and Pot & Pan Organizer

NEW | OPTION



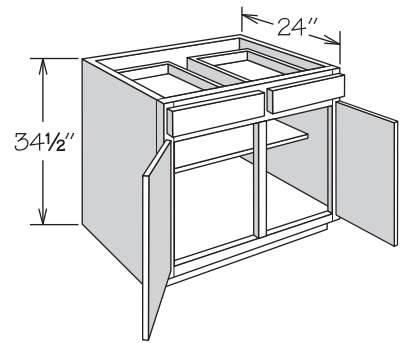
- Organizer in natural finish solid wood and wood veneer with dovetail construction full-extension drawer glides
- Top shelf of organizer measures 6 3/8" deep
- Middle shelf of organizer measures 9 3/4" deep

BASE POT & PAN ORGANIZER

- B24 BUTT FABPPO
- B27 BUTT FABPPO
- B30 BUTT FABPPO
- B33 BUTT FABPPO
- B36 1TD BUTT FABPPO

- APC
- CCH
- CCDW
- CCSS
- FADW
- FE
- IF
- PE
- RTK
- VTD

Base Cabinet + 2 Doors and 2 Drawers NEW | OPTION



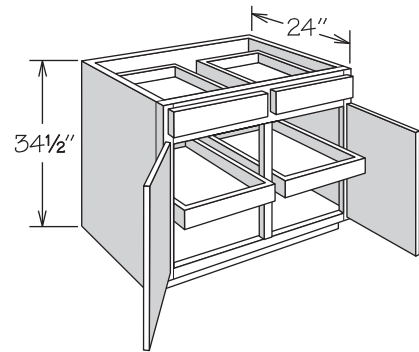
- Half-depth adjustable shelf
- Center support for shelf provided

APC
CCH
CCDW
CFO
FADW
FE
FDS
IF
PE
RD
RTK

1 SHELF

- B36
- B39
- B42
- B48

Base Cabinet + 2 Doors, 2 Drawers and Sliding Shelves NEW | OPTION



- Sliding shelves are not adjustable
- Engineered wood sliding shelves with solid hardwood front, MDF bottom, and side-mounted drawer glides

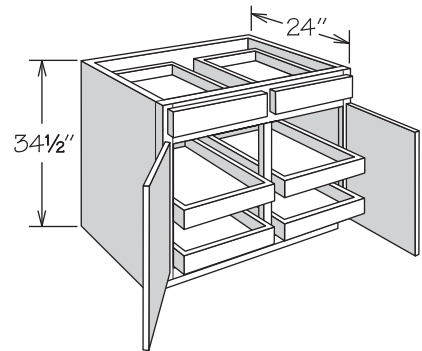
APC
CCH
CCDW
CCSS
FADW
FASS
FE
PE
RD
RTK
VTD

2 SLIDING SHELVES

- B36 SS1
- B39 SS1
- B42 SS1
- B48 SS1

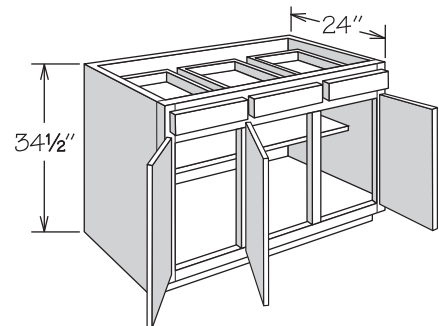
4 SLIDING SHELVES

- B36 SS2
- B39 SS2
- B42 SS2
- B48 SS2



4 SLIDING SHELVES

Base Cabinet + 3 Doors and 3 Drawers NEW | OPTION



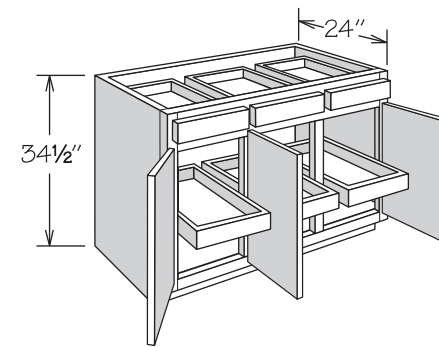
- Half-depth adjustable shelf
- Center support for shelf provided
- Hinged as shown - can be reversed in the field

APC
CCH
CCDW
CFO
FADW
FE
FDS
IF
PE
RD
RTK

1 SHELF

- B45

Base Cabinet + 3 Doors, 3 Drawers and Sliding Shelves NEW | OPTION



- Sliding shelves are not adjustable
- Engineered wood sliding shelves with solid hardwood front, MDF bottom, and side-mounted drawer glides
- Hinged as shown - can be reversed in the field

APC
CCH
CCDW
CCSS
FADW
FASS
FE
PE
RD
RTK
VTD

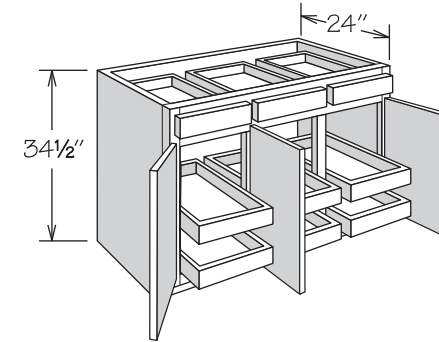
3 SLIDING SHELVES

- B45 SS1

6 SLIDING SHELVES

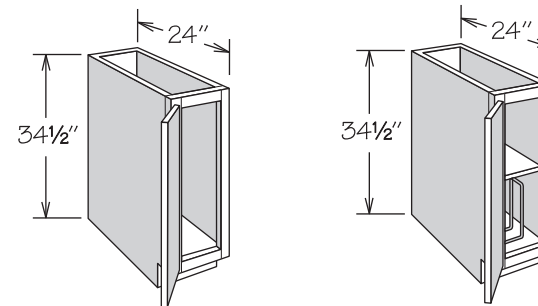
- B45 SS2

3 SLIDING SHELVES



6 SLIDING SHELVES

Full-Height Base Cabinet + 1 Door



NO SHELF

1 SHELF & TRAY DIVIDER

- Full-height door
- Recessed Toe Kick Option available left (RTKL) or right (RTKR) only
- TB9 TDS is only available with RD-23 through RD-14
- TB9 TDS features full-depth adjustable shelf (S924) and Tray Divider (TD3) packaged separately for field installation
- Hinged left and can be reversed in the field

APC
CCH
CFO
FE
PE
RD
RTK

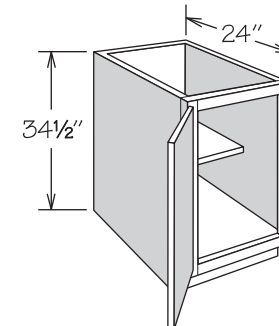
NO SHELF

- TB9

1 SHELF & TRAY DIVIDER

- TB9 TDS

Full-Height Base Cabinet + 1 Door NEW | OPTION



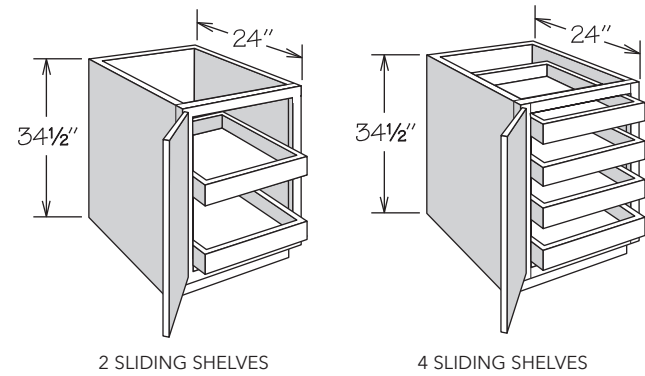
- Half-depth adjustable shelf
- Full-height door
- Hinged left and can be reversed in the field

APC
CCH
CFO
FE
FDS
PE
RD
RTK

1 SHELF

- B12 FH
- B15 FH
- B18 FH
- B21 FH

Full-Height Base Cabinet + 1 Door and Sliding Shelves



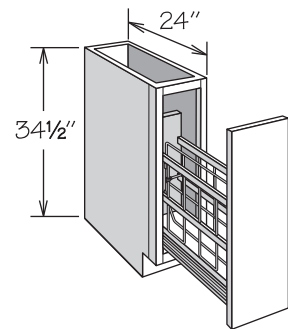
- Full-height door
- Sliding shelves are not adjustable
- Engineered wood sliding shelves with solid hardwood front, MDF bottom, and side-mounted drawer glides
- Distance between sliding shelves is 10¹³/₁₆" for B18 FH SS2 and 4¹/₁₆" for B18 FH SS4
- Hinged left and can be reversed in the field

APC
CCH
CCSS
FASS
FE
PE
RD
RTK

2 SLIDING SHELVES
B18 FH SS2

4 SLIDING SHELVES
B18 FH SS4

Full-Height Base Cabinet + 1 Door with Tray Divider Pull-Out

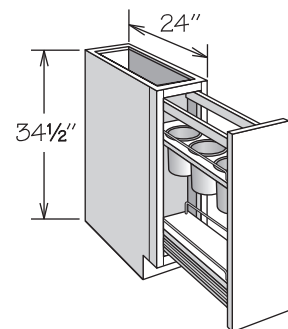


- Full-height door
- Features heavy-duty glides
- Tray divider is adjustable to accommodate various storage solutions
- Decorative hardware strongly recommended
- Recessed Toe Kick Option available left (RTKL) or right (RTKR) only

APC
CCDW
FE
PE
RTK

TRAY DIVIDER PULL-OUT
BTDP9

Full-Height Base Cabinet + 1 Door with Utensil Storage Pull-Out

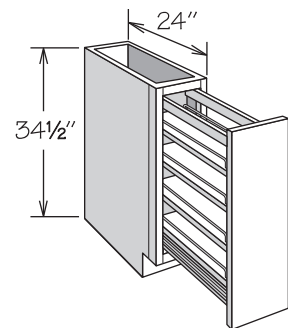


- Full-height door
- One fixed bottom and one adjustable lower shelf in a natural finish with chrome rails
- One fixed upper shelf in a natural finish with chrome rails and three stainless steel removable storage bins
- Stainless steel bins measure 5¹/₄" wide x 6⁷/₈" deep
- Decorative hardware strongly recommended
- BPPUS9 not available with Recessed Toe Kick Both Option (RTKB)

APC
CCDW
FE
PE
RTK

UTENSIL STORAGE PULL-OUT
BPPUS9
BPPUS12

Full-Height Base Cabinet + 1 Door with Base Pantry Pull-Out

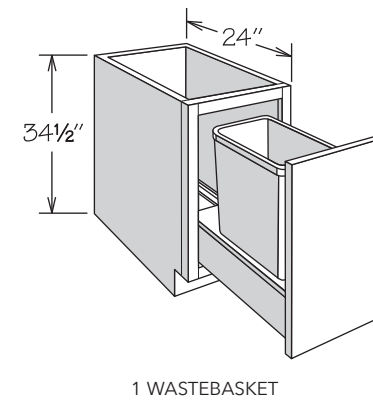


- Full-height door
- One fixed and three adjustable shelves with chrome rails
- Features three individual heavy-duty glides
- Decorative hardware strongly recommended
- BPP9 not available with Recessed Toe Kick Both Option (RTKB)

APC
CCDW
FE
PE
RTK

BASE PANTRY PULL-OUT
BPP9
BPP12

Full-Height Base Cabinet + 1 Door with Wastebasket Pull-Out

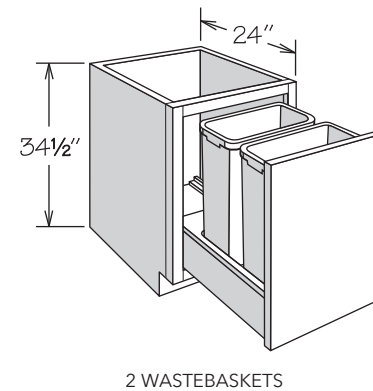


- Full-height door
- Wastebasket rests in a natural maple plywood frame
- Wastebasket pull-out features heavy-duty, full-extension, 132-pound rated glides
- BWBB15 FH and BWBB18 FH feature one silver plastic 50-quart capacity bin
- BWBB21-2 FH features two silver plastic 50-quart capacity bins
- Decorative hardware strongly recommended

APC
CCDW
FE
PE
RTK

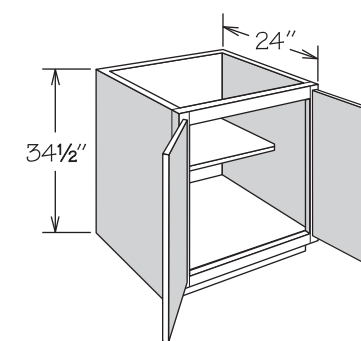
1 WASTEBASKET
BWBB15 FH
BWBB18 FH

2 WASTEBASKETS
BWBB21-2 FH



2 WASTEBASKETS

Full-Height Base Cabinet + 2 Butt Doors NEW | OPTION

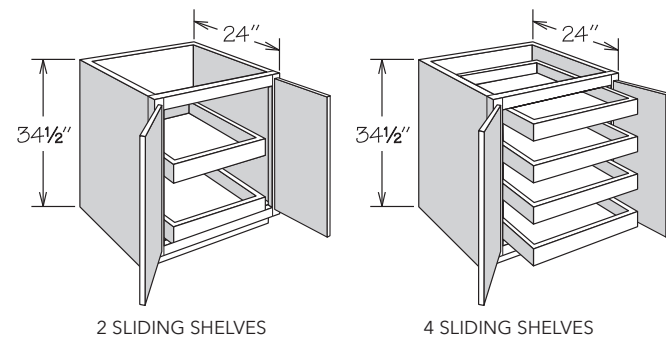


- Half-depth adjustable shelf
- Full-height butt doors

APC
CCH
CFO
FE
FDS
PE
RD
RTK

1 SHELF
B24 BUTT FH
B30 BUTT FH
B36 BUTT FH

Full-Height Base Cabinet + 2 Butt Doors and Sliding Shelves



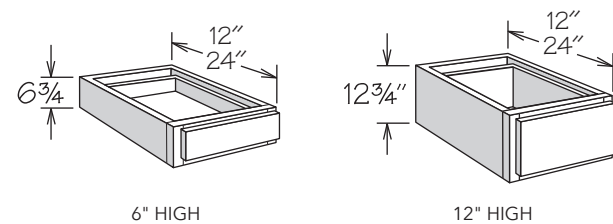
- Full-height doors
- Sliding shelves are not adjustable
- Engineered wood sliding shelves with solid hardwood front, MDF bottom, and side-mounted drawer glides
- Distance between sliding shelves is 10¹³/₁₆" for B_ BUTT FH SS2 and 4⁷/₁₆" for B_ BUTT FH SS4

2 SLIDING SHELVES
B24 BUTT FH SS2
B30 BUTT FH SS2

4 SLIDING SHELVES
B24 BUTT FH SS4
B30 BUTT FH SS4

APC
CCH
CCSS
FASS
FE
PE
RD
RTK

Furniture Drawer Cabinet + 1 Drawer



- 6" high features one standard drawer and 12" high features one large drawer
- 24" deep Furniture Drawer cabinets are only available with RD-23 through RD-13
- Bottom of cabinet frame must be fully supported

6" HIGH • 1 DRAWER

12" Deep

- FD121206
- FD151206
- FD181206
- FD211206
- FD241206
- FD271206
- FD301206
- FD331206
- FD361206

24" Deep

- FD122406 ■
- FD152406 ■
- FD182406 ■
- FD212406 ■
- FD242406 ■
- FD272406 ■
- FD302406 ■
- FD332406 ■
- FD362406 ■

12" HIGH • 1 DRAWER

12" Deep

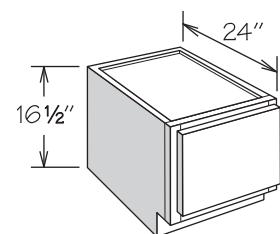
- FD121212
- FD151212
- FD181212
- FD211212
- FD241212
- FD271212
- FD301212
- FD331212
- FD361212

24" Deep

- FD122412 ■
- FD152412 ■
- FD182412 ■
- FD212412 ■
- FD242412 ■
- FD272412 ■
- FD302412 ■
- FD332412 ■
- FD362412 ■

APC
CCDW
CFO
FADW
FE
PE
RD

Pedestal Drawer Cabinet + 1 Drawer



- One large drawer
- Toe Kick included
- Features solid top

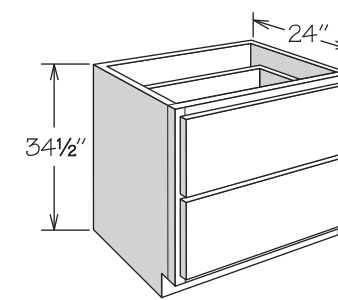
1 DRAWER

- PD1217 1DWR
- PD1517 1DWR
- PD1817 1DWR
- PD2117 1DWR
- PD2417 1DWR

- PD2717 1DWR
- PD3017 1DWR
- PD3317 1DWR
- PD3617 1DWR

APC
CCDW
CFO
FADW
FE
PE
RD
RTK

Drawer Base Cabinet + 2 Large Drawers

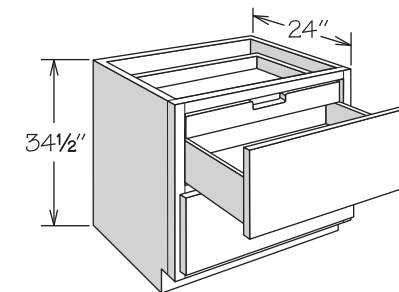


- Two large dovetail drawers
- Drawer body measures 6¹⁵/₁₆" deep
- Only available with RD-23 through RD-21
- Drawers feature full-extension CushionClose heavy-duty 132 pound rated glides

2 DRAWERS
DB30 2DWR
DB36 2DWR

APC
CFO
FE
PE
RD
RTK

Drawer Base Cabinet + 2 Drawers with Scalloped Deep Sliding Shelf

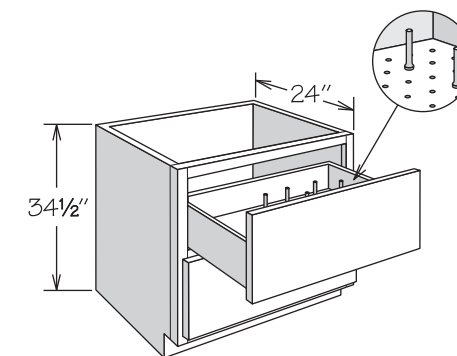


- Two large dovetail drawers
- Drawer body measures 6¹⁵/₁₆" deep
- Only available with RD-23 through RD-21
- Features CushionClose dovetail Scalloped Deep Roll-Out Tray in top opening
- Drawers feature full-extension CushionClose heavy-duty 132 pound rated glides

2 DRAWERS
DB30 2DWR SFWT
DB36 2DWR SFWT

APC
FE
PE
RD
RTK

Drawer Base Cabinet + 2 Drawers with Peg Dish Organizer

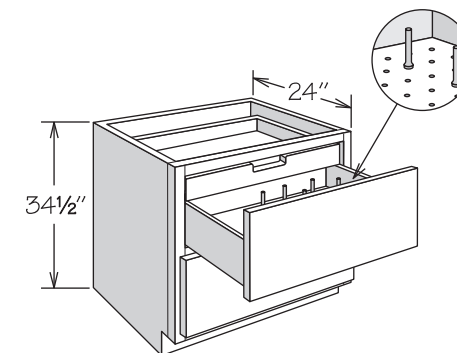


- Two large dovetail drawers
- Drawer body measures 6¹⁵/₁₆" deep
- One Peg Dish Organizer Kit (organizer and 12 adjustable pegs) in natural finish, packaged separately for field installation
- Additional pegs (PEG KIT 4 PK) and Peg Dish Organizer Kits (PDO_) can be ordered separately
- Drawers feature full-extension CushionClose heavy-duty 132 pound rated glides

2 DRAWERS
DB30 2DWR PDO
DB36 2DWR PDO

APC
FE
PE
RTK

Drawer Base Cabinet + 2 Drawers with Scalloped Sliding Shelf and Peg Dish Organizer

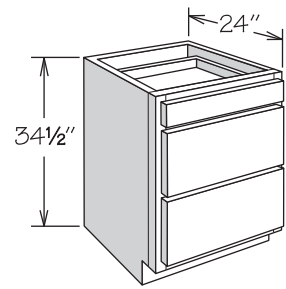


- Two large dovetail drawers
- Drawer body measures 6¹⁵/₁₆" deep
- Features one CushionClose Scalloped Deep Roll-Out Tray in top opening
- One Peg Dish Organizer Kit (organizer and 12 adjustable pegs) in natural finish, packaged separately for field installation
- Additional pegs (PEG KIT 4 PK) and Peg Dish Organizer Kits (PDO_) can be ordered separately
- Drawers feature full-extension CushionClose heavy-duty 132 pound rated glides

2 DRAWERS
DB30 2DWR SFWT PDO
DB36 2DWR SFWT PDO

APC
FE
PE
RTK

Drawer Base Cabinet + 3 Drawers NEW | OPTION



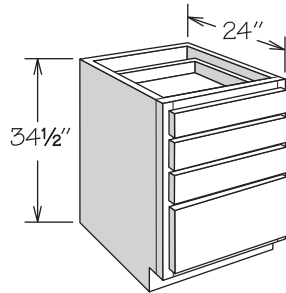
- One standard and two large drawers

APC
CCDW
CFO
FADW
FE
PE
RD
RTK
VTD

3 DRAWERS

DB12	DB27
DB15	DB30
DB18	DB33
DB21	DB36 1TD
DB24	

Drawer Base Cabinet + 4 Drawers NEW | OPTION



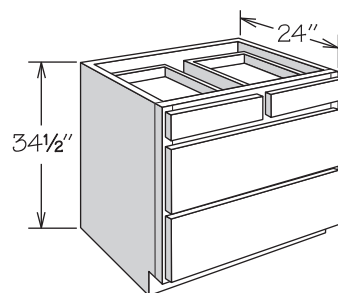
- One large and three standard drawers

APC
CCDW
CFO
FADW
FE
PE
RD
RTK
VTD

4 DRAWERS

DB12 4DWR
DB15 4DWR
DB18 4DWR
DB21 4DWR
DB24 4DWR

Drawer Base Cabinet + 2 Small and 2 Large Drawers NEW | OPTION



- Two standard and two large drawers

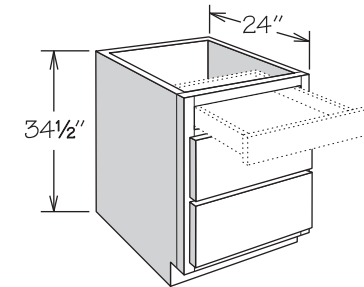
APC
CCDW
CFO
FADW
FE
PE
RD
RTK
VTD

4 DRAWERS

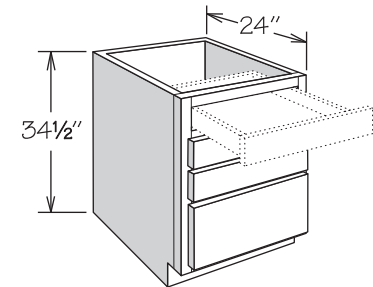
DB36

Drawer Base Cabinets with Drawer Accessories

1 Select a base cabinet configuration below. Example: DB15 (3 Drawer Base Cabinet).



3 DRAWER



4 DRAWER

APC
CCDW
FADW
FE
PE
RTK

3 DRAWERS

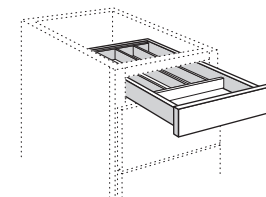
DB15 *
DB18 *
DB21 *
DB24 *

4 DRAWERS

DB15 4DWR *
DB18 4DWR *
DB21 4DWR *
DB24 4DWR *

2 Choose a factory installed base drawer accessory below. Example: Wood Tiered Cutlery Divider (WTCD).

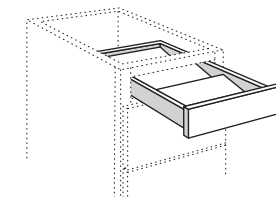
Cutlery Divider + CD



WIDTH	SECTIONS
15"	3
18"	4
21"	5
24"	5

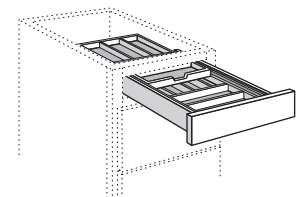
- Solid hardwood and plywood cutlery divider in natural finish
- Remaining drawers will utilize drawer system specific to selected door style or drawer option

Spice Drawer Insert + SDI



- Solid hardwood and plywood spice drawer insert in natural finish
- Accommodates most spice containers (not included)
- Remaining drawers will utilize drawer system specific to selected door style or drawer option

Wood Tiered Cutlery Divider + WTCD

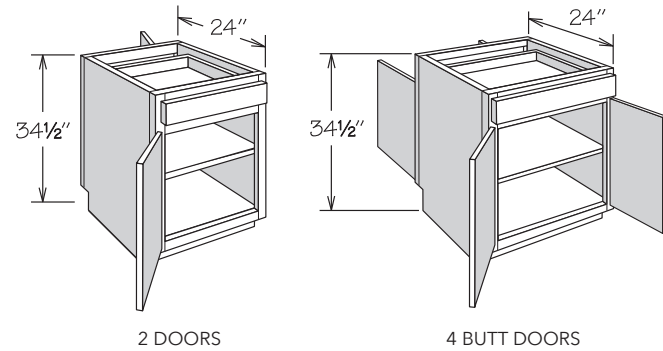


WIDTH	UPPER SECTION	LOWER SECTION
15"	5	5
18"	5	6
21"	6	7
24"	7	7

- Double-tiered cutlery divider slides independently from drawer
- Solid hardwood and plywood double-tiered cutlery divider in natural finish
- Remaining drawers will utilize drawer system specific to selected door style or drawer option
- Features solid hardwood dovetail drawer in natural finish

3 Replace the asterisk (*) with the code for the drawer accessory to order as a factory installed accessory. Example: DB15 WTCD.

Peninsula Base + 1 Drawer NEW | OPTION



- Full-depth adjustable shelf
- Drawer accessible on one side only
- Panel on opposite side of drawer
- When selecting the Recessed Toe Kick Option, the drawer side indicates the front of the cabinet in order to correctly select Recessed Toe Kick Right or Left
- Single door cabinets are hinged left and can be reversed in the field

APC
CCH
CCDW
FADW
FE
PE
RD
RTK
VTD

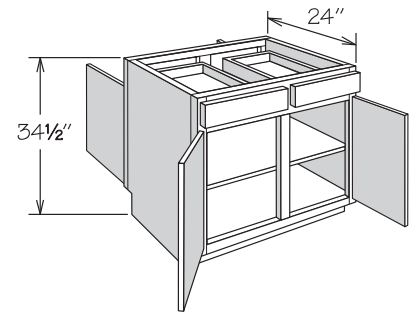
2 DOORS

PB12
PB18
PB24

4 BUTT DOORS

PB24 BUTT
PB30 BUTT
PB36 1TD BUTT

Peninsula Base + 2 Drawers NEW | OPTION



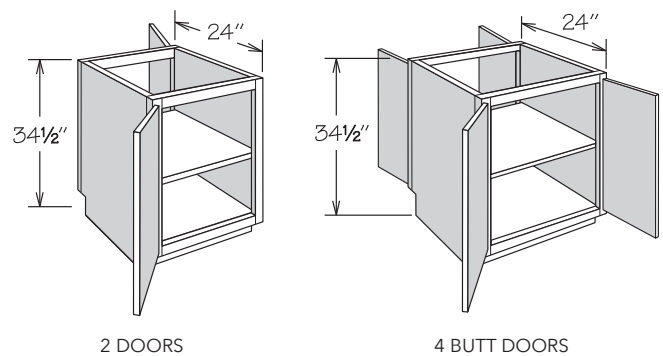
- Full-depth adjustable shelf
- Drawers accessible on one side only
- PB36 features one panel on opposite side of drawers
- PB42 features two panels on opposite side of drawers
- When selecting the Recessed Toe Kick Option, the drawer side indicates the front of the cabinet in order to correctly select Recessed Toe Kick Right or Left

APC
CCH
CCDW
FADW
FE
PE
RD
RTK
VTD

4 DOORS

PB36
PB42

Full-Height Peninsula Base



- Full-height doors
- Full-depth adjustable shelf
- Single door cabinets are hinged left and can be reversed in the field

APC
CCH
FE
PE
RD
RTK

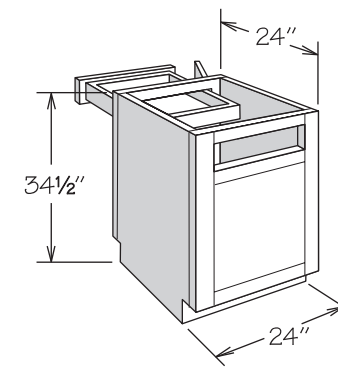
2 DOORS

PB12 FH
PB18 FH

4 BUTT DOORS

PB24 BUTT FH
PB30 BUTT FH
PB36 BUTT FH

Blind Peninsula Corner Base NEW | OPTION



- Half-depth adjustable shelf
- Can be installed left or right
- Universal Fillers are recommended for use between PBC24 and wall and adjoining base cabinet or appliance for hardware clearance and proper door operation
- Cabinet may require pulling from wall - refer to the chart below for specifications
- Roll-out accessories are not recommended
- Must order Universal Fillers separately
- PBC24 is hinged left and can be reversed in the field

APC
CCH
CCDW
FADW
FDS
FE
PE
RD

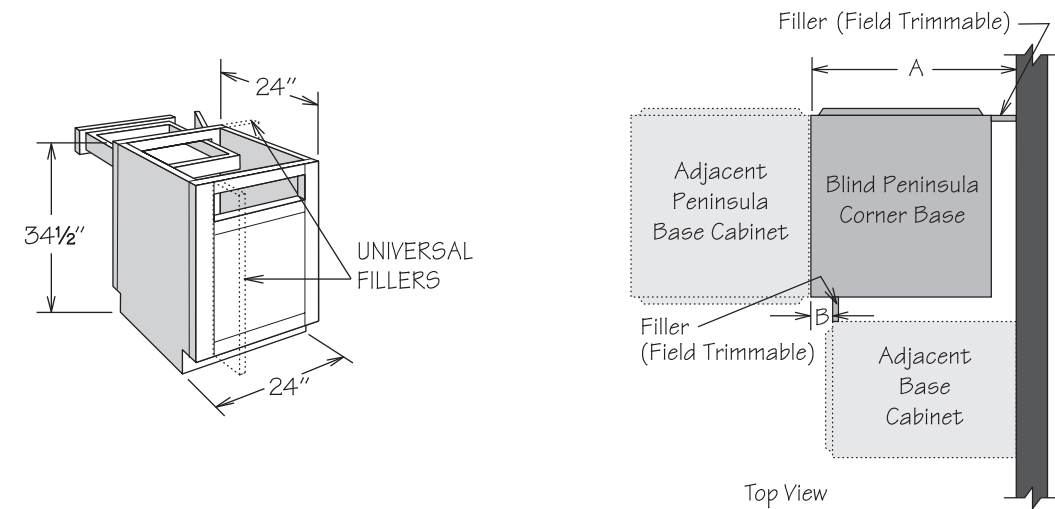
1 DOOR

PBC24

2 DOORS

PBC24 BUTT

BLIND PENINSULA CORNER BASE INSTALLATION CHART



Full Overlay Door Styles

Full overlay door styles require decorative hardware, which has been calculated into dimensions.

*Must use these dimensions if optional Overlay Fillers will be used.

Cabinet	Actual Cabinet Width	Door Opening	Door(s)	Wall Space A			Exposed Frame B		Filler (at wall)	
				Min. Space	Max. Pull	Max. Space*	Min. Space	Max. Space*	Min.	Max.*
PBC24	24"	20 3/4"	DR2424	26 1/4"	3/4"	27"	2 1/4"	3"	2 1/4"	3"
PBC24 BUTT	24"	20 3/4"	DR1224 BUTT (2)	26 1/4"	3/4"	27"	2 1/4"	3"	2 1/4"	3"

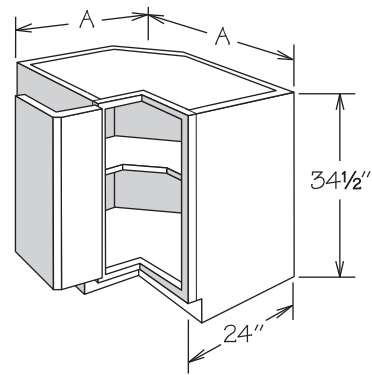
Standard Overlay Door Styles

Wall Space A requirements include optional decorative hardware clearance.

1 1/4" may be deducted if decorative hardware is not used.

Cabinet	Actual Cabinet Width	Door Opening	Door(s)	Wall Space A			Exposed Frame B		Filler (at wall)	
				Min. Space	Max. Pull	Max. Space	Min. Space	Max. Space	Min.	Max.
PBC24	24"	20 3/4"	DR2424	25 3/8"	1 1/8"	27"	1 3/8"	3"	1 3/8"	3"
PBC24 BUTT	24"	20 3/4"	DR1224 BUTT (2)	25 3/8"	1 1/8"	27"	1 3/8"	3"	1 3/8"	3"

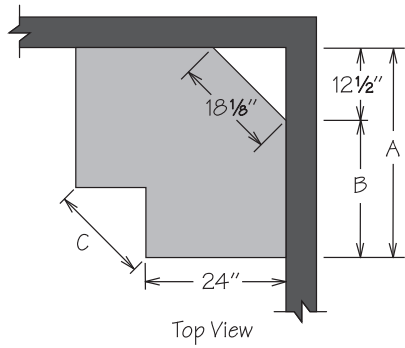
Base Easy Reach



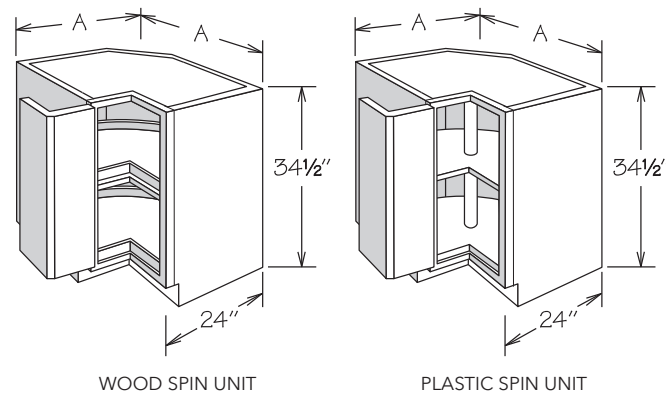
- One adjustable half-depth shelf (non-removable)
- All door styles must be ordered hinged left or right
- Left shown
- BER33 features two solid recessed panel doors for Sierra Vista door styles
- Sides are finished
- Doors open 170°
- Cabinet requires a minimum of 34" to fit through doorway
- Additional space recommended if appliance is installed on the hinge side of this cabinet for proper door operation

APC
FE
PE

SHELF	A	B	C
BER33	33"	20 1/2"	10 7/16"
BER36	36"	23 1/2"	14 5/8"



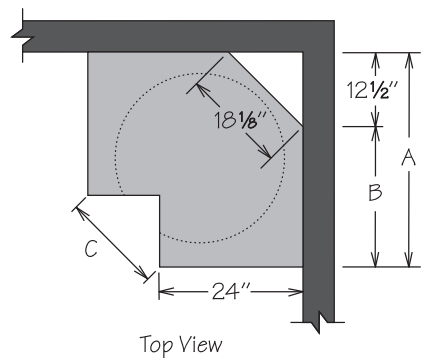
Base Super Susan + Spin Unit



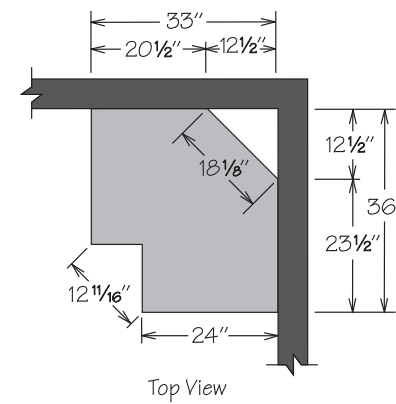
- All door styles must be ordered hinged left or right
- Left shown
- BSS33 features two solid recessed panel doors for Sierra Vista door style
- Sides are finished
- Doors open 170°
- Cabinet requires a minimum of 34" to fit through doorway
- Additional space recommended if appliance is installed on the hinge side of this cabinet for proper door operation
- Wood Spin Units feature:
 - » Fixed wood spin unit mounted on cabinet floor
 - » One wood spin unit attached to 3/4" adjustable shelf
 - » Natural finish wood spin units feature 1" lip
 - » Wood spin diameter is 28" for BSS33 and 32" for BSS36
- Plastic Spin Units feature:
 - » BSS33 features two 28" diameter white spin shelves with pole (top shelf adjustable)
 - » BSS36 features two 32" diameter white spin shelves with pole (top shelf adjustable)

APC
FE
PE

Wood Spin Unit	A	B	C
BSS33 WD	33"	20 1/2"	10 7/16"
BSS36 WD	36"	23 1/2"	14 5/8"
Plastic Spin Unit			
BSS33	33"	20 1/2"	10 7/16"
BSS36	36"	23 1/2"	14 5/8"



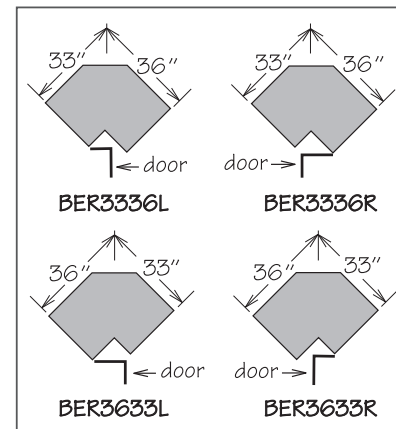
Asymmetrical Base Easy Reach



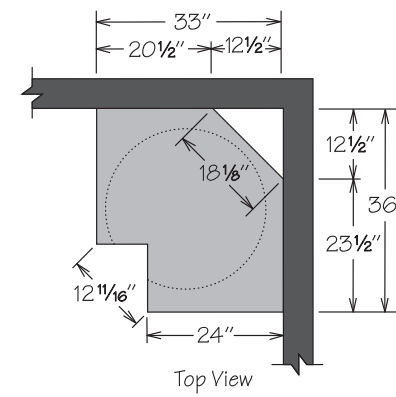
- One adjustable half-depth shelf (non-removable)
- All door styles must be ordered hinged left or right
- Sierra Vista door style features one solid recessed panel door (33" side) and one solid raised panel door (36" side)
- Sides are finished
- Doors open 170°
- Cabinet requires a minimum of 34" to fit through doorway
- Additional space recommended if appliance is installed on the hinge side of this cabinet for proper door operation

APC
FE
PE

SHELF
BER3336
BER3633



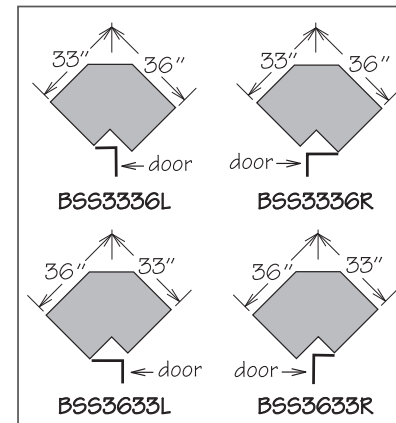
Asymmetrical Base Super Susan + Spin Unit



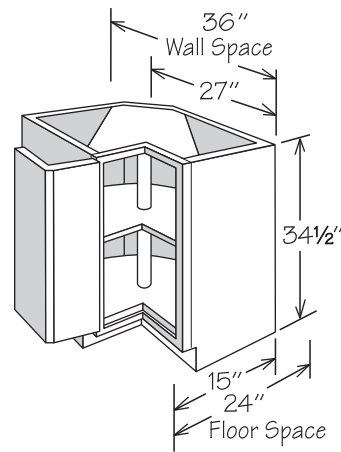
- All door styles must be ordered hinged left or right
- Sierra Vista door style features one solid recessed panel door (33" side) and one solid raised panel door (36" side)
- Sides are finished
- Doors open 170°
- Cabinet requires a minimum of 34" to fit through doorway
- Additional space recommended if appliance is installed on the hinge side of this cabinet for proper door operation
- Wood Spin Units features:
 - » Fixed wood spin unit mounted on cabinet floor
 - » Features one wood spin unit attached to 3/4" adjustable shelf
 - » Natural finish wood spin units feature 1" lip and are 28" in diameter for BSS3336 WD and 32" for BSS3633 WD
- Plastic Spin Units features:
 - » Features two 28" diameter white spin shelves with pole (top shelf adjustable)

APC
FE
PE

WOOD SPIN UNIT	PLASTIC SPIN UNIT
BSS3336 WD	BSS3336
BSS3633 WD	BSS3633



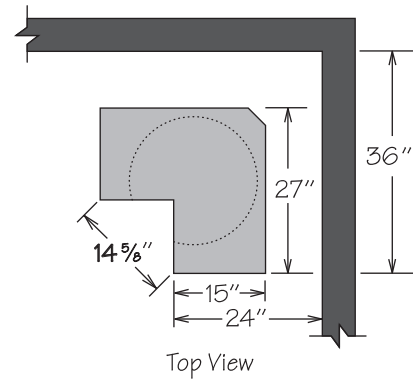
Corner Base Carousel + Spin Unit



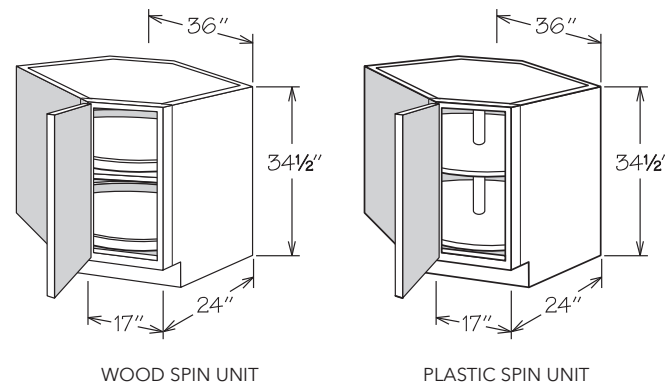
- CAR36 features two 24" diameter white spin shelves with pole (top shelf adjustable)
- CAR36 WD features two 24" diameter natural finish solid hardwood spin shelves with pole (top shelf adjustable)
- All door styles must be ordered hinged left or right
- Left shown
- Sides are unfinished
- Doors open 170°
- If unit has an exposed side, order end panel separately
- Additional support for countertop in back is necessary
- Additional space recommended if appliance is installed on the hinge side of this cabinet for proper door operation
- Unit must be pulled to install in a 36" x 36" space

WOOD SPIN UNIT
CAR36 WD

PLASTIC SPIN UNIT
CAR36



Corner Base + Spin Unit

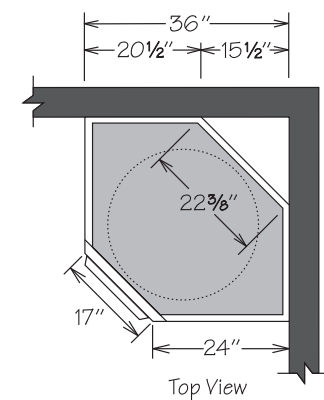


- Sides are finished
- Cabinet requires a minimum of 34" to fit through doorway
- Additional space recommended if appliance is installed on the hinge side of this cabinet for proper door operation
- Cabinet features solid top
- Wood Spin Units feature:
 - » Fixed wood spin unit mounted on cabinet floor
 - » Features one wood spin unit attached to 3/4" adjustable shelf
 - » Natural finish wood spin units feature 1" lip and are 28" in diameter
- Plastic Spin Units feature:
 - » Features two 28" diameter full round spin shelves with pole (top shelf adjustable)
- Hinged left and can be reversed in the field

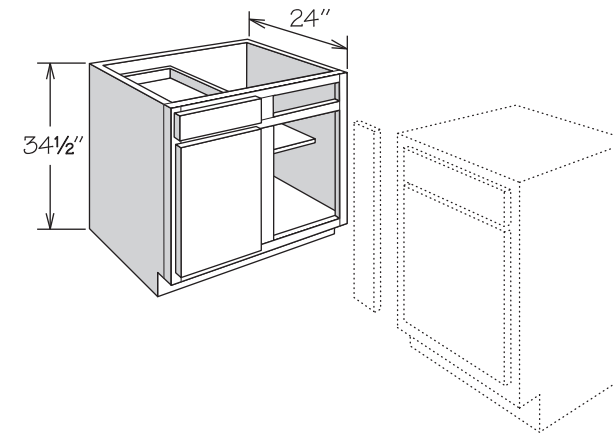
APC
CCH
FE
PE

WOOD SPIN UNIT
CBS36 WD

PLASTIC SPIN UNIT
CBS36



Blind Corner Base NEW | OPTION

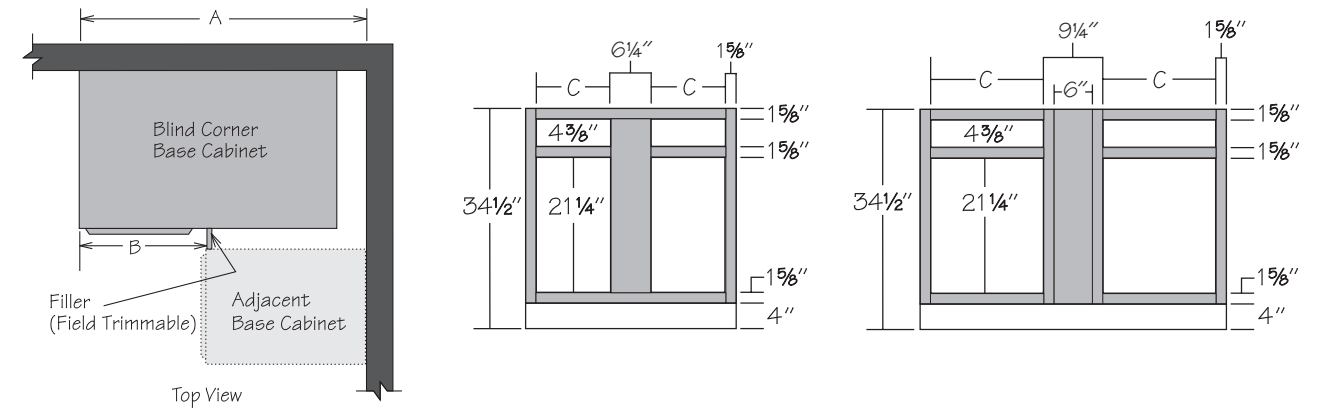


- Half-depth adjustable shelf
- Blind base door and drawer are installed in the left section
- Door and drawer can be reversed in the field as blind sections are identical
- Includes 1/8" panel to cover blind opening (field trim and install)
- Refer to the chart below for specifications
- Recessed Toe Kick Both Option (RTKB) available only
- Must order Universal Filler separately

APC
CCH
CCDW
FADW
CFO
FE
FDS
PE
RD
RTK

1 SHELF
BLB36/39
BLB39/42
BLB42/45
BLB45/48
BLB48/51

BLIND CORNER BASE INSTALLATION CHART



Full Overlay Door Styles

Full Overlay door styles require decorative hardware, which has been calculated into dimensions.
*Dimension requirements do not include optional Overlay Fillers - add 7/8" if Overlay Fillers will be used, except for BLB48/51 add 1/8".

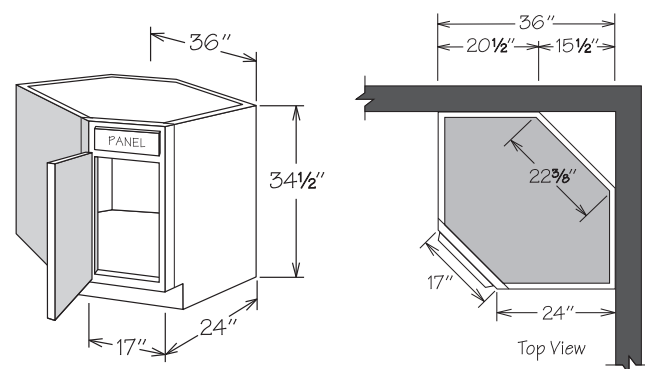
Cabinet	Actual Cabinet Width	C Door Opening	Door(s)	Wall Space A			Exposed Frame B	
				Minimum Space*	Maximum Pull	Maximum Space	Minimum Space*	Maximum Space
BLB36/39	27"	8 3/4"	DR1224	38 1/4"	1 3/4"	40"	14 1/4"	16"
BLB39/42	33"	11 3/4"	DR1524	41 1/4"	1 3/4"	43"	17 1/4"	19"
BLB42/45	39"	14 3/4"	DR1824	44 1/4"	1 3/4"	46"	20 1/4"	22"
BLB45/48	45"	17 3/4"	DR2124	47 1/4"	1 3/4"	49"	23 1/4"	25"
BLB48/51	48"	17 3/4"	DR2124	48"	4"	52"	24"	28"

Standard Overlay Door Styles

Wall Space A requirements include optional decorative hardware clearance. 1 1/4" may be deducted if decorative hardware is not used.

Cabinet	Actual Cabinet Width	C Door Opening	Door(s)	Wall Space A			Exposed Frame B	
				Minimum Space	Maximum Pull	Maximum Space	Minimum Space	Maximum Space
BLB36/39	27"	8 3/4"	DR1224	37 3/8"	2 5/8"	40"	13 3/8"	16"
BLB39/42	33"	11 3/4"	DR1524	40 3/8"	2 5/8"	43"	16 3/8"	19"
BLB42/45	39"	14 3/4"	DR1824	43 3/8"	2 5/8"	46"	19 3/8"	22"
BLB45/48	45"	17 3/4"	DR2124	46 3/8"	2 5/8"	49"	22 3/8"	25"
BLB48/51	48"	17 3/4"	DR2124	48"	4"	52"	24"	28"

Corner Sink Base + 1 Door

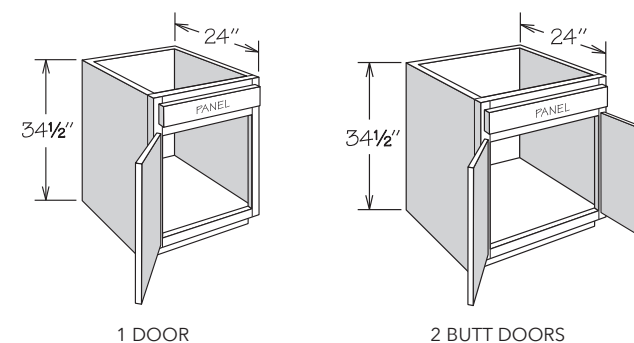


- No shelf
- Sides are finished
- Cabinet requires a minimum of 34" to fit through doorway
- Additional space recommended if appliance is installed on either side of this cabinet for proper appliance door operation
- Cabinet features solid top which must be field cut for sink installation as per manufacturer's specifications
- Maximum sink width is 22 3/4" if cut out is 4" back from face of front frame
- Refer to sink manufacturer's specifications for adequate clearance and required installation materials
- Hinged left and can be reversed in the field

APC
CCH
FE
PE

CSB36

Sink/Cooktop Base



1 DOOR

2 BUTT DOORS

- No shelf
- Full-height back
- Subtract 1 1/2" from width and depth for available sink bowl opening
- Refer to sink or appliance manufacturer's specifications for adequate clearance and required installation materials
- Touch Up Kit included
- Single door cabinets are hinged left and can be reversed in the field

APC
CCH
FE
PE
RD
RTK

1 DOOR

SB18
SB21
SB24

2 BUTT DOORS

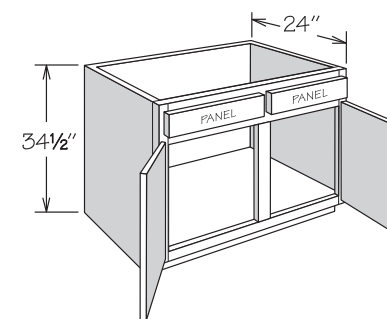
SB24 BUTT
SB27 BUTT
SB30 BUTT
SB33 BUTT
SB36 BUTT

2 DOORS

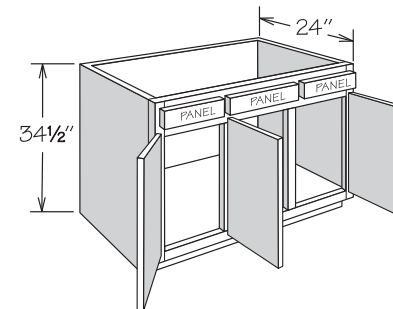
SB39
SB42
SB48

3 DOORS

SB45



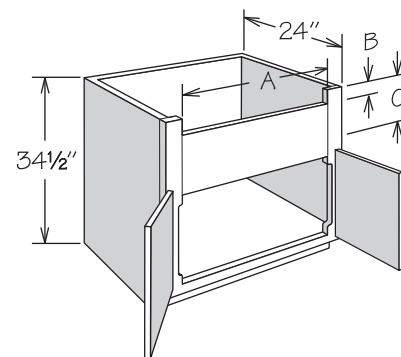
2 DOORS



3 DOORS

Deep Sink/Range Base + 2 Butt Doors

NEW | SIZE



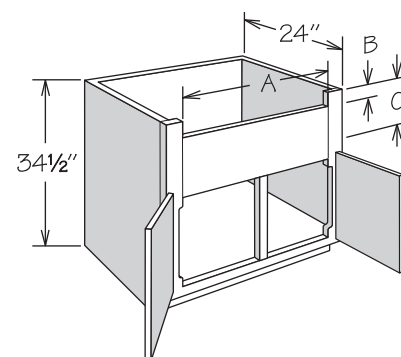
- No shelf
- Accommodates farm sinks
- Stiles at apron are 3 1/8" wide and trimmable
- A cutout exists in the door area where the 3 1/8" stiles are routed to 1 1/8"
- Refer to sink or appliance manufacturer's specifications for adequate clearance and required installation materials

APC
CCH
FE
PE
RD
RTK

	A-MIN.	A-MAX.	B	C-FOL	C-SOL
DSB30 BUTT	23 3/4"	28"	2 7/8"	10"	10 1/2"
DSB33 BUTT	26 3/4"	31"	2 7/8"	10"	10 1/2"
DSB36 BUTT	29 3/4"	34"	2 7/8"	10"	10 1/2"

Deep Sink/Range Base + 2 Doors

NEW | SIZE

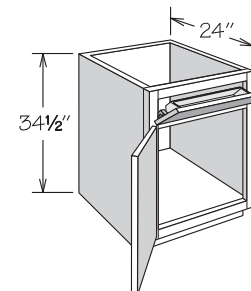


- No shelf
- Accommodates farm sinks
- Stiles at apron are 3 1/8" wide and trimmable
- A cutout exists in the door area where the 3 1/8" stiles are routed to 1 1/8"
- Refer to sink or appliance manufacturer's specifications for adequate clearance and required installation materials

APC
CCH
FE
PE
RD
RTK

	A-MIN.	A-MAX.	B	C-FOL	C-SOL
DSB39	32 3/4"	37"	2 7/8"	10"	10 1/2"

Sink Base + 1 Tilt-Out Tray



1 DOOR

- No shelf
- Full-height back
- Subtract 1 1/2" from width and 3 3/4" from depth for available sink bowl opening
- Tilt-Out Trays are NOT dishwasher safe
- Refer to sink manufacturer's specifications for adequate clearance and required installation materials
- Touch Up Kit included
- Single door cabinets are hinged left and can be reversed in the field

APC
CCH
FE
PE
RD
RTK

1 DOOR

Stainless
SB18 STO
SB21 STO
SB24 STO

2 BUTT DOORS

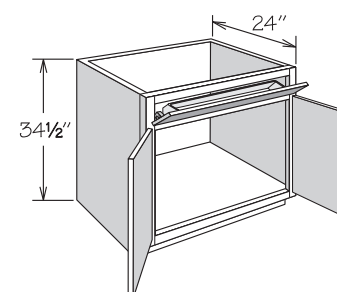
Stainless
SB24 BUTT STO
SB27 BUTT STO
SB30 BUTT STO

Plastic

SB18 TO
SB21 TO
SB24 TO

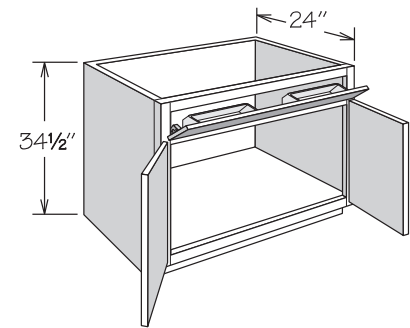
Plastic

SB24 BUTT TO
SB27 BUTT TO
SB30 BUTT TO

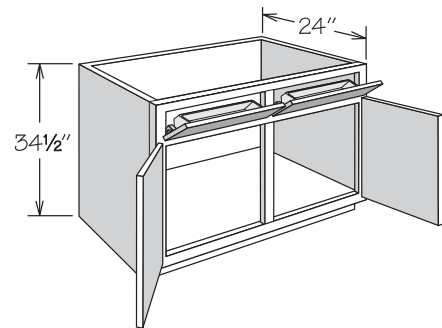


2 BUTT DOORS

Sink Base + 2 Tilt-Out Trays



2 BUTT DOORS



2 DOORS

- No shelf
- Full-height back
- Subtract 1 1/2" from width and 3 3/4" from depth for available sink bowl opening
- Tilt-Out Trays are NOT dishwasher safe
- Refer to sink manufacturer's specifications for adequate clearance and required installation materials
- Touch Up Kit included

APC
CCH
FE
PE
RD
RTK

2 BUTT DOORS

Stainless

- SB33 BUTT STO
- SB36 BUTT STO

Plastic

- SB33 BUTT TO
- SB36 BUTT TO

2 DOORS

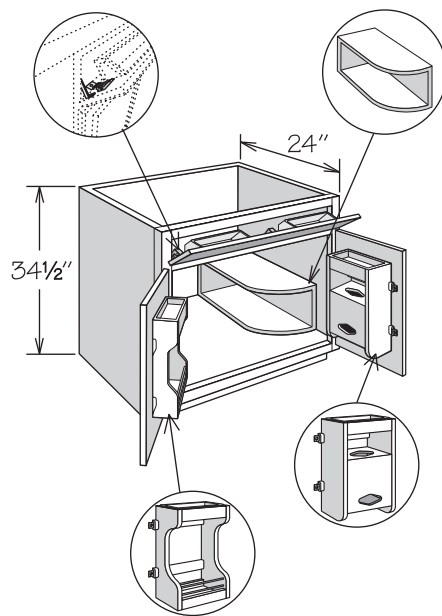
Stainless

- SB39 STO
- SB42 STO
- SB48 STO

Plastic

- SB39 TO
- SB42 TO
- SB48 TO

Sink Base Multi-Storage Cabinet



2 BUTT DOORS

- Full-height back
- Features factory installed Sink Base Door Storage Unit on left door, Plastic Bag Door Storage Unit on right door
- SBMS30 BUTT STO features one Stainless Tilt-Out Tray
- SBMS36 BUTT STO features two Stainless Tilt-Out Trays
- Sink Base Multi-Storage Shelf (SBMSS) shipped separately for field installation left or right
- Sink Base Multi-Storage Shelf measures 8 7/8" wide x 8" high x 17 1/2" deep
- Subtract 1 1/2" from width and 3 3/4" from depth for available sink bowl opening
- Tilt-Out Trays and Door Storage Unit trays are NOT dishwasher safe
- Refer to sink manufacturer's specifications for adequate clearance and required installation materials
- Touch Up Kit included

APC
CCH
FE
PE
RTK

30" WIDE

1 Tilt-Out Tray

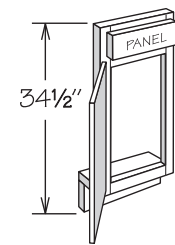
- SBMS30 BUTT STO

36" WIDE

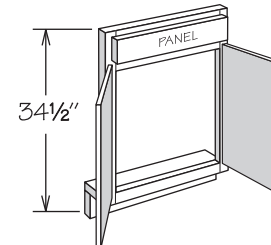
2 Tilt-Out Trays

- SBMS36 BUTT STO

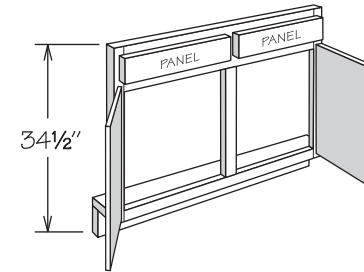
Sink/Cooktop Front



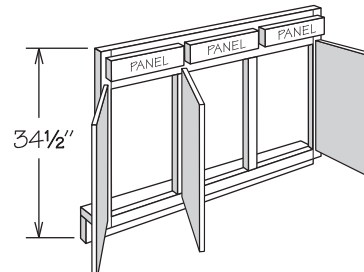
1 DOOR



2 BUTT DOORS



2 DOORS



3 DOORS

- Not trimmable
- SF45 is hinged as shown - can be reversed in the field
- Order floor and returns separately (field trimming may be required) - refer to Panel Section for availability (page 180)

CCH

1 DOOR

- SF12
- SF15
- SF18
- SF21
- SF24

2 BUTT DOORS

- SF24 BUTT
- SF27 BUTT
- SF30 BUTT
- SF33 BUTT
- SF36 BUTT

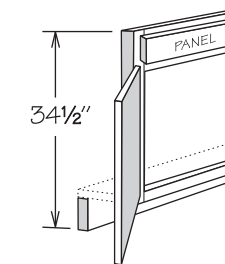
2 DOORS

- SF39
- SF42
- SF48

3 DOORS

- SF45

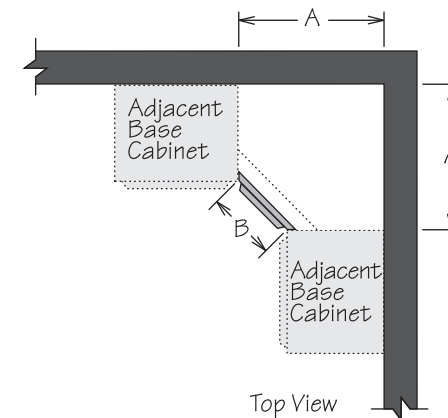
Corner Sink Front



- Not trimmable
- Vertical edges of frame are mitered to attach to adjacent cabinet frames
- Order floor and returns separately (field trimming may be required) - refer to Panel Section for availability (page 180)

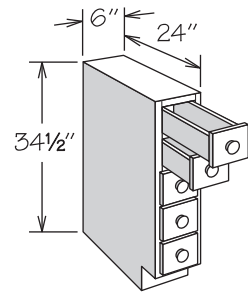
CCH

	A	B
CSF36	35 31/32"	16 15/16"
CSF42	42 11/32"	25 15/16"



Top View

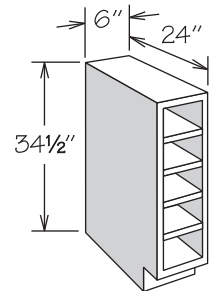
Base Spice Drawer Cabinet



- All door styles feature veneered engineered wood with exterior only finished to match cabinet box exterior
- Five individual full-depth drawers
- Flush sides with no face frame or 1/4" reveals
- All wood drawer body with dovetail construction
- Wood door styles feature matching wood knobs
- Breeze, Linen, Pewter, and White door styles feature white porcelain knobs

BSDC6

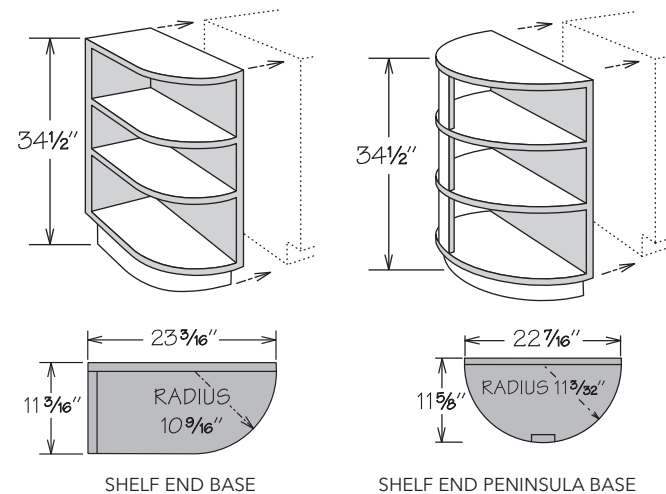
Base Wine Rack Cabinet



- All door styles feature veneered engineered wood finished to match cabinet box exterior
- Interior finished to match cabinet box exterior
- Accommodates five wine bottles (each opening measures: 5" high x 4 1/2" wide)
- 3/4" sides and shelves
- Flush sides with no face frame or 1/4" reveals
- Cannot be retrofitted with Base Spice drawers

BWRC6

Shelf End Base

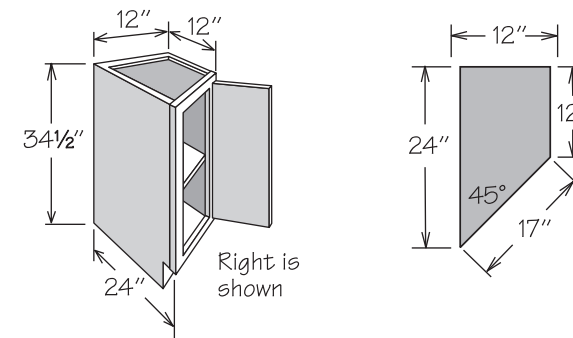


- All door styles feature veneered engineered wood finished to match cabinet box exterior
- Interior finished to match cabinet box exterior
- 3/4" shelves
- Distance between shelves is 9 3/16"
- 7/8" screw recommended from inside of adjacent cabinet for installation
- SEB toe kick is removable-invert unit for right or left
- Cabinet dimensions are for reference purposes ONLY - countertop must be measured and fabricated after cabinet installation

SHELF END BASE
SEB

SHELF END PENINSULA BASE
SEPB

Base End Angle + 1 Door

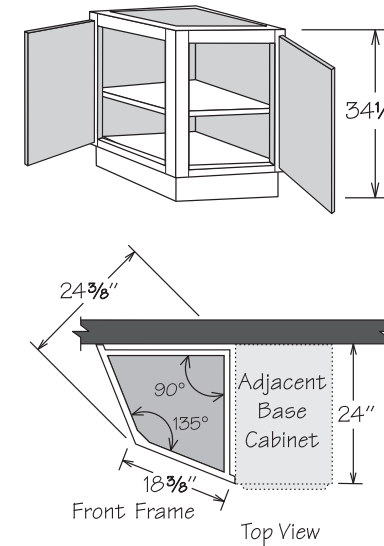


- Full-height door
- One adjustable shelf
- Right hand shown
- Only available with RD-23 through RD-18
- Recessed Toe Kick Option (RTK) only available on 12" side
- Cabinet dimensions are for reference purposes ONLY - countertop must be measured and fabricated after cabinet installation

APC
CCH
FE
PE
RD
RTK

BEA12L FH
BEA12R FH

Base End Angle + 2 Doors

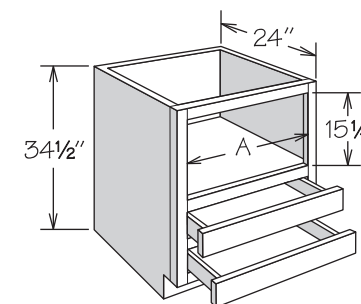


- One adjustable shelf
- Requires 24" x 24" space
- Cabinet dimensions are for reference purposes ONLY - countertop must be measured and fabricated after cabinet installation

APC
CCH
PE

BEA24 FH

Base Microwave Cabinet + 2 Drawers

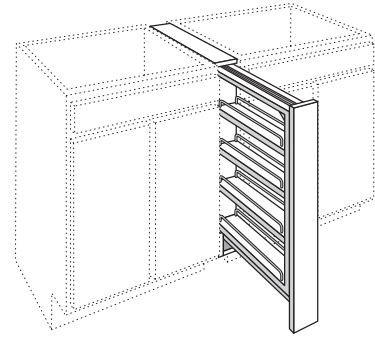


- Microwave opening finished to match cabinet box exterior
- Designed to accommodate countertop style microwave
- Features two standard depth drawers
- Accent molding recommended (order separately)
- Refer to appliance manufacturer's specifications for adequate clearances

APC
CCDW
FADW
FE
PE
RD
RTK

	A
BMC24	20 3/4"
BMC27	23 3/4"
BMC30	26 3/4"

Base Filler Pull-Out

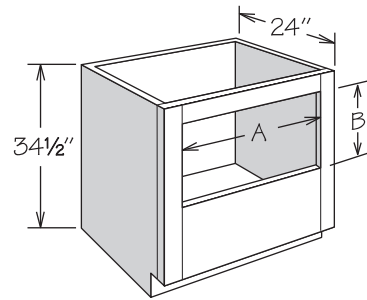


- Must be installed between two base cabinets behind the face frames in 3" of floor space
- Cannot be installed next to an appliance or at the end of a run
- No side panels or toe kick
- Filler shipped unattached for field installation
- An overlay filler is recommended for full overlay door styles (order separately)
- One fixed and three adjustable 2 1/8" wide wood shelves with chrome rails
- Decorative hardware strongly recommended

CCDW

BFP3

Base Oven Cabinet Universal



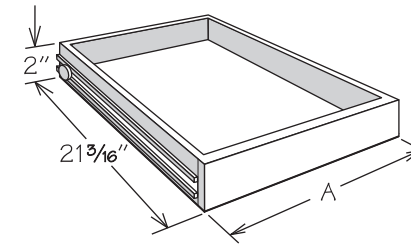
- Designed for mounting single oven below countertop
- 3" top rail is field removable and field trimmable
- 3 1/8" stiles
- Will accommodate certain cooktops (in conjunction with under-counter oven) or drop-in ranges
- Most ovens require a top rail of varying heights to create a finished look and clear the countertop overhang
- Refer to appliance manufacturer's specifications for adequate clearances and required installation materials

APC
FE
PE
RD
RTK

	A-MIN.	A-MAX.	B-MIN.	B-MAX.*
BOCU27	20 3/4"	24 15/16"	18 1/4"	29"
BOCU30	23 3/4"	27 15/16"	18 1/4"	29"
BOCU33	26 3/4"	30 15/16"	18 1/4"	29"

*Trimming/removal of top rail required

Sliding Shelf Kit

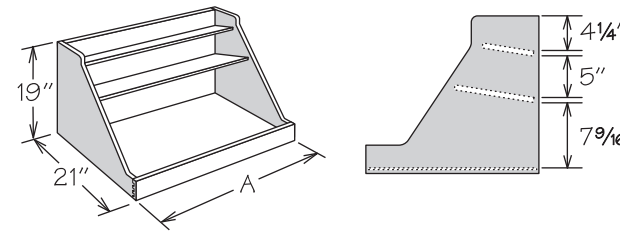


- Field installation accessory
- Engineered wood drawer with solid hardwood front, MDF bottom, and side-mounted drawer glides
- Includes sliding shelf, all glide hardware and instructions
- SSKs can be used with all single and double door base cabinets
- SSK drill template is required for all double door cabinets that have fixed center stile - contact Customer Care for drill template

CCSS
FASS
RD

SLIDING SHELF KIT	A	4 PACK SLIDING SHELF KIT	A
SSK12	8 1/2"	USS12-4K	8 1/2"
SSK15	11 1/2"	USS15-4K	11 1/2"
SSK18	14 1/2"	USS18-4K	14 1/2"
SSK19	16"	USS24-4K	20 1/2"
SSK21	17 1/2"	USS30-4K	26 1/2"
SSK24	20 1/2"	USS36-4K	32 1/2"
SSK27	23 1/2"		
SSK30	26 1/2"		
SSK33	29 1/2"		
SSK36	32 1/2"		

Base Pot & Pan Organizer Kit

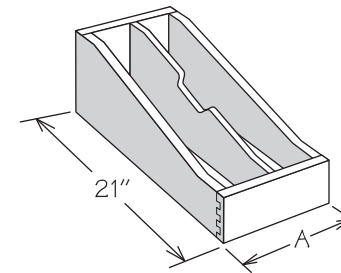


- Field installation accessory
- Natural finish solid wood and wood veneer with dovetail construction and full-extension drawer glides
- Top shelf of organizer measures 6 3/8" deep
- Middle shelf of organizer measures 9 3/4" deep
- Not sized to fit reduced depth cabinets

CCSS

	A	BASE CABINET SIZE	OVEN CABINET SIZE
BPPOKFA24	19 3/4"	24"	27"
BPPOKFA27	22 3/4"	27"	30"
BPPOKFA30	25 3/4"	30"	33"
BPPOKFA33	28 3/4"	33"	-
BPPOKFA36	31 3/4"	36"	-

Roll-Out Tray Divider Kit

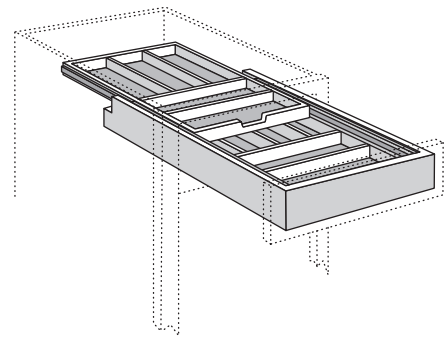


- Field installation accessory
- Natural finish solid wood and wood veneer with dovetail construction and full-extension drawer glides
- ROTDK12 features two compartments (one partition)
- ROTDK15 features three compartments (two partitions)
- Partition(s) are field installed
- Not sized to fit reduced depth cabinets

CCSS

	A	CABINET SIZE
ROTDKFA12	7 3/4"	12"
ROTDKFA15	10 3/4"	15"

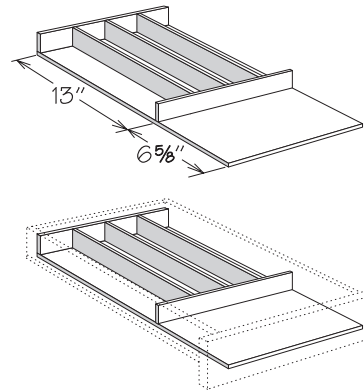
Wood Tiered Cutlery Divider Kit



- Available as factory installed for all door styles
- Kit available for Portfolio Select door styles and available for Portfolio door styles with the Dovetail Drawer upgrade
- Field installed accessory replaces existing drawer box
- Glides are NOT included: reuse existing drawer glides
- Solid hardwood and plywood in natural finish
- Double-tiered cutlery divider slides independently from drawer
- Can be installed in cabinets with single drawer or side-by-side drawer configurations
- Not sized to fit cabinets with Reduced Depth Option
- Sized to fit 6" high x 24" deep Furniture Drawer Cabinets

WIDTH	UPPER SECTION	LOWER SECTION
WTCDKFD15	5	5
WTCDKFD18	5	6
WTCDKFD21	6	7
WTCDKFD24	7	7

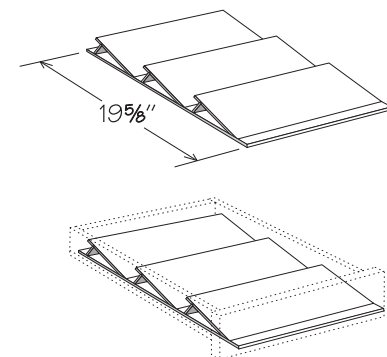
Cutlery Divider Kit



- Field installation accessory
- Solid hardwood and plywood in natural finish
- Sized to fit 15" - 24" dovetail drawer box or field trim to fit drawers with side-mounted glides
- Not sized to fit cabinets with Reduced Depth Option
- Sized to fit 6" high x 24" deep Furniture Drawer Cabinets

	NUMBER OF SECTIONS
CDAK15	3
CDAK18	4
CDAK21	5
CDAK24	5

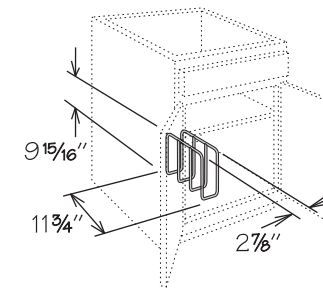
Spice Drawer Insert Kit



- Field installation accessory
- Solid hardwood and plywood in natural finish
- Accommodates most spice containers (not included)
- Sized to fit 15" - 24" dovetail drawer box or field trim to fit drawers with side-mounted glides
- Not sized to fit cabinets with Reduced Depth Option
- Sized to fit 6" high x 24" deep Furniture Drawer Cabinets

SDIAK15
SDIAK18
SDIAK21
SDIAK24

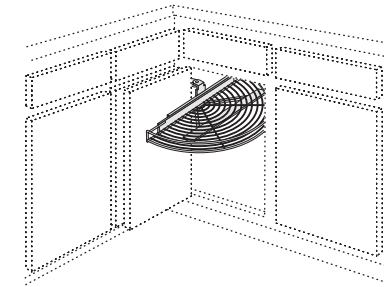
Cabinet Tray Divider



- Field installation accessory
- Chrome finish
- For use in 24" deep cabinets or cabinets with RD-23 through RD-14
- Mounting hardware included

TD3

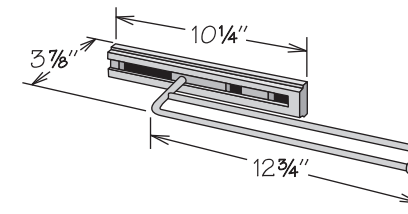
Corner Lazy Susan



- Field installation accessory
- One 2 1/2" high chrome wire shelf per unit
- For use with BLB45/48 or BLB48/51
- More than one unit can be installed
- Order units individually
- 34" long x 16" deep from center
- Attaches to back of face frame
- Not sized to fit cabinets with Reduced Depth Option

CLS45F

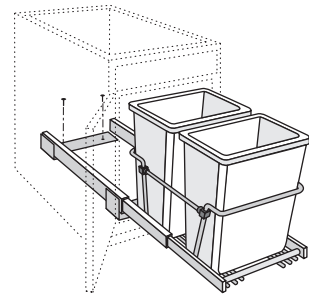
Sliding Towel Bar



- Field installation accessory
- Two chrome finish towel bars
- Mounts to cabinet side panel
- Pulls out 7" for easy access
- For use in 24" deep cabinets or cabinets with RD-23 through RD-14

STB

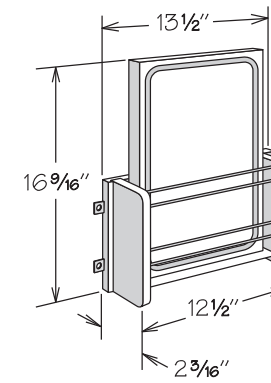
Base Recycling Kit



- Field installation accessory
- Features two white 27 quart plastic bins, one chrome wire rack and glides
- Mounts in B18 (14 $\frac{3}{4}$ ") or wider cabinet opening
- Unit measures 11 $\frac{5}{8}$ " wide x 19 $\frac{1}{8}$ " high x 22 $\frac{3}{4}$ " deep
- Not sized to fit cabinets with Reduced Depth Option

BR2B15

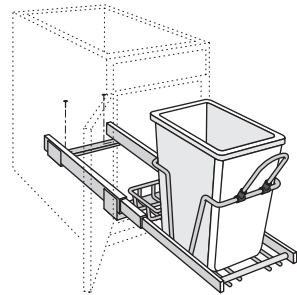
Cutting Board Door Rack Kit



- Field installation accessory
- Natural finish solid wood with chrome rails
- Cannot be used with sliding shelves or Deep Dovetail Sliding Shelves
- Full-depth shelf must be field trimmed to half-depth
- Solid wood cutting board is NOT dishwasher safe
- Cutting board measures 15 $\frac{1}{4}$ " x 10 $\frac{1}{4}$ " x 1 $\frac{3}{16}$ "
- CBDRK18 mounts to 18" or 19" wide base door
- Not sized to fit Deep Sink Base (DSB) cabinet doors

CBDRK18

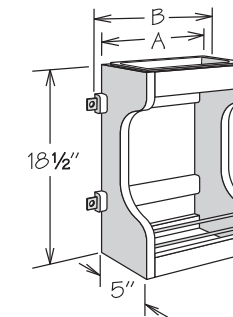
Wastebasket Unit



- Field installation accessory
- Features one white 35 quart plastic bin, chrome wire rack with storage bin and glides
- Mounts in B15 (11 $\frac{3}{4}$ ") or wider cabinet opening
- Unit measures 10 $\frac{5}{8}$ " wide x 19 $\frac{1}{4}$ " high x 22" deep
- Not sized to fit cabinets with Reduced Depth Option

WBU15

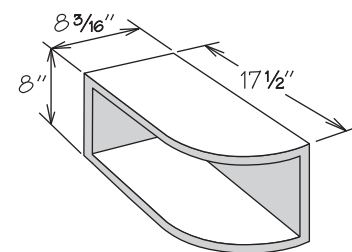
Sink Base Door Storage Unit



- Field installation accessory
- Natural finish solid wood
- Two fixed shelves
- Cannot be used with sliding shelves or Deep Dovetail Sliding Shelves
- Full-depth shelf must be field trimmed to half-depth
- Removable white plastic tray is NOT dishwasher safe
- SBDSU15 mounts to 15" or 16" wide base door
- SBDSU18 mounts to 18" or 19" wide base door
- Not sized to fit Deep Sink Base (DSB) cabinet doors

	A	B
SBDSU15	9"	10 $\frac{1}{2}$ "
SBDSU18	10 $\frac{1}{2}$ "	13 $\frac{1}{2}$ "

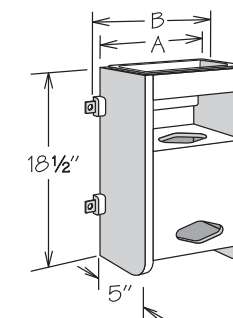
Sink Base Multi-Storage Shelf



- Field installation accessory
- $\frac{3}{4}$ " plywood with natural finish
- Invert for left or right installation

SBMSS

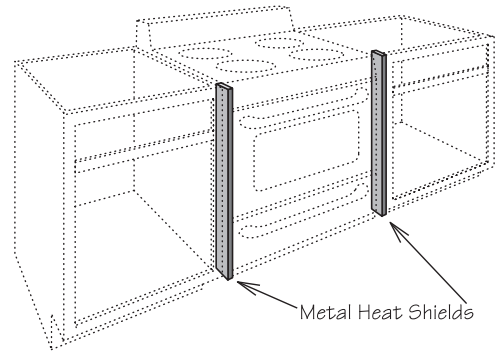
Plastic Bag Door Storage Unit



- Field installation accessory
- Natural finish solid wood and wood veneer
- Cannot be used with sliding shelves or Deep Dovetail Sliding Shelves
- Full-depth shelf must be field trimmed to half-depth
- Removable white plastic tray is NOT dishwasher safe
- PBDSU15 mounts to 15" or 16" wide base door
- PBDSU18 mounts to 18" or 19" wide base door
- Not sized to fit Deep Sink Base (DSB) cabinet doors

	A	B
PBDSU15	9"	10 $\frac{1}{2}$ "
PBDSU18	10 $\frac{1}{2}$ "	13 $\frac{1}{2}$ "

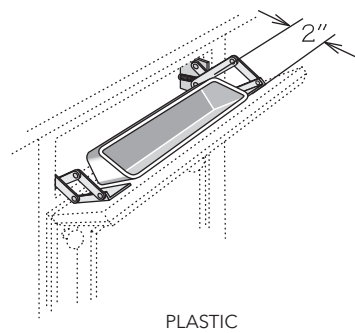
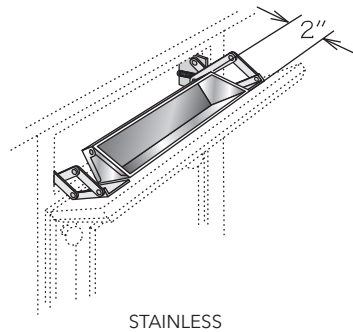
Heat Shield Kit



- Field installation accessory
- Recommended for Duraform Lausanne (excluding Espresso) and Cumberland Thermofoil door styles
- Protects doors and drawer fronts from adjacent heat source (built-in ovens, under counter ovens, drop-in, or free-standing ranges)
- Kit features: two 1/8" metal heat shields finished to match cabinet box exterior, one strip of wood QM8 WD molding shield (not required for base installation)

HSK

Tilt-Out Tray Kit



- Field installation accessory
- Kit features tray and one pair of scissor hinges
- Order units individually
- STO TRAY 11:
 - Order one unit for SB18
 - Order two units for SB33 or SB36
- STO TRAY 14:
 - Order one unit for SB21, SB24, SB27 or CSF42
 - Order two units for SB39, SB42 or SB48
- STO TRAY 22:
 - Order one unit for SB30
- Sink front units match sink base sizes as noted above
- Tilt-Out Trays are NOT dishwasher safe

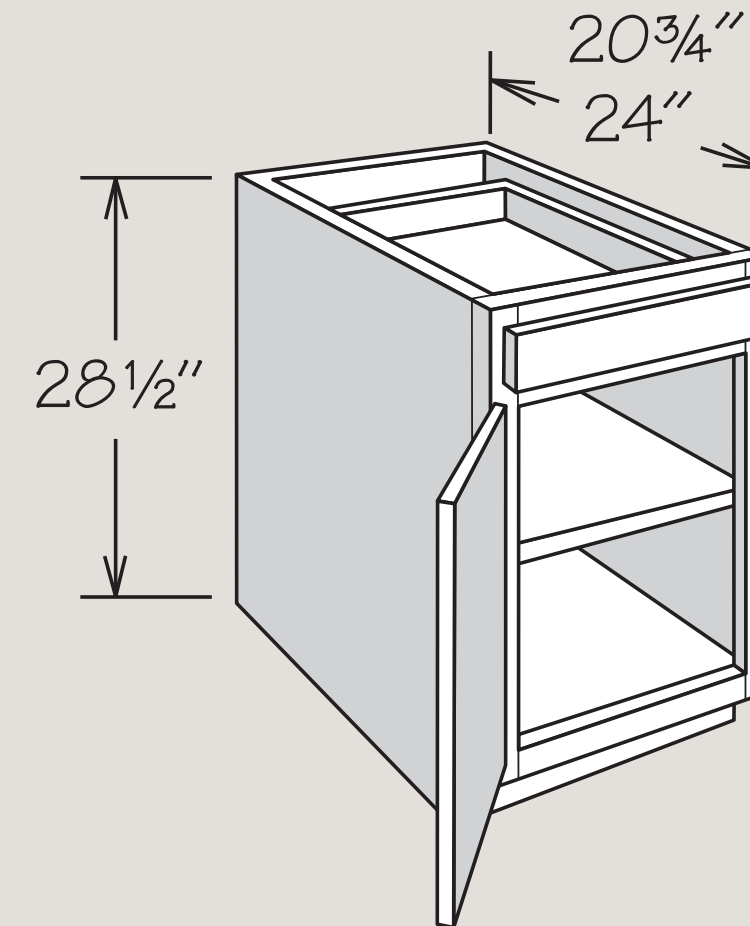
STAINLESS

STO TRAY 11
STO TRAY 14
STO TRAY 22

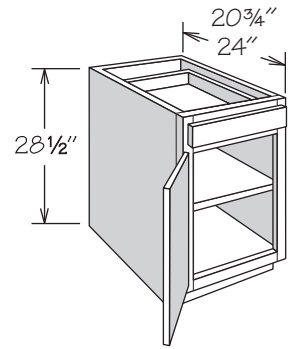
PLASTIC

TO TRAY 11
TO TRAY 14
TO TRAY 22

DESK CABINETS & BOOKSHELVES



Desk Cabinet + 1 Door and 1 Drawer



- One full-depth adjustable shelf
- May be accessorized with one sliding shelf
- Recommend mounting sliding shelf on cabinet floor (order separately)

APC
CCH
CCDW
CFO
FADW
FE
PE
RD
RTK

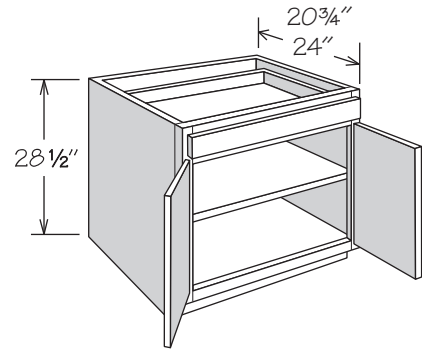
24" DEEP

DDO1224
DDO1524
DDO1824
DDO2124

21" DEEP

DDO1221
DDO1521
DDO1821
DDO2121

Desk Cabinet + 2 Butt Doors and 1 Drawer



- One full-depth adjustable shelf
- May be accessorized with one sliding shelf
- Recommend mounting sliding shelf on cabinet floor (order separately)

APC
CCH
CCDW
CFO
FADW
FE
PE
RD
RTK

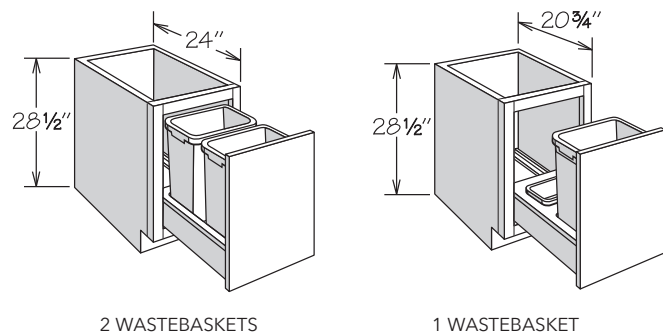
24" DEEP

DDO2424 BUTT

21" DEEP

DDO2421 BUTT

Desk Cabinet + 1 Door with Wastebasket Pull-Out



- Full-height door
- Wastebasket rests in a natural maple plywood frame
- Wastebasket pull-out features heavy-duty, full-extension, 132-pound rated glides
- DWBB1824 features two silver plastic 35-quart capacity bins
- DWBB1821 features one silver plastic 35-quart capacity bin and bag storage tray at rear (not dishwasher safe)
- Decorative hardware strongly recommended

APC
CCDW
FE
PE
RTK

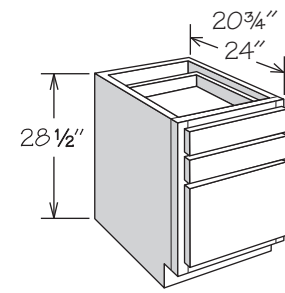
24" DEEP • 2 WASTEBASKETS

DWBB1824

21" DEEP • 1 WASTEBASKET

DWBB1821

Desk Drawer Cabinet



- One large and two standard drawers
- Large drawer cannot be used as a file drawer

APC
CCH
CCDW
CFO
FADW
FE
PE
RD
RTK

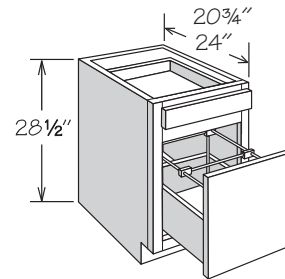
24" DEEP

DDR1224
DDR1524
DDR1824
DDR2124
DDR2424

21" DEEP

DDR1221
DDR1521
DDR1821
DDR2121
DDR2421

Desk File Pull-Out Cabinet + 1 Door Pull-Out and 1 Drawer



- One standard top drawer
- Features one natural maple drawer body attached to door pull-out
- File unit packaged separately for field installation
- Will accept letter or legal-size hanging files

APC
CCDW
FADW
FE
PE
RTK

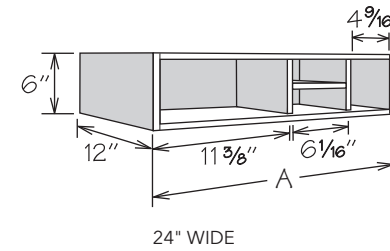
24" DEEP

DFDC1824

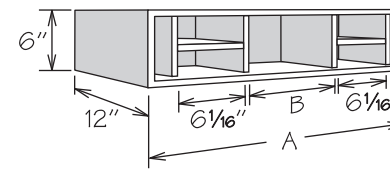
21" DEEP

DFDC1821

Shelf Under Cabinet Organizer



24" WIDE

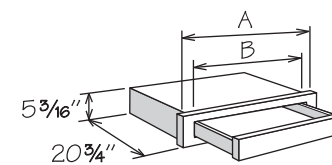


27" AND 30" WIDE

- All door styles feature 1/2" veneered engineered wood finished to match cabinet box exterior
- Flush sides with no face frame or 1/4" reveals
- Opening is 5" high

	A	B
SUCO24	24"	-
SUCO27	27"	8 7/8"
SUCO30	30"	11 3/8"

Kneehole Drawer Cabinet

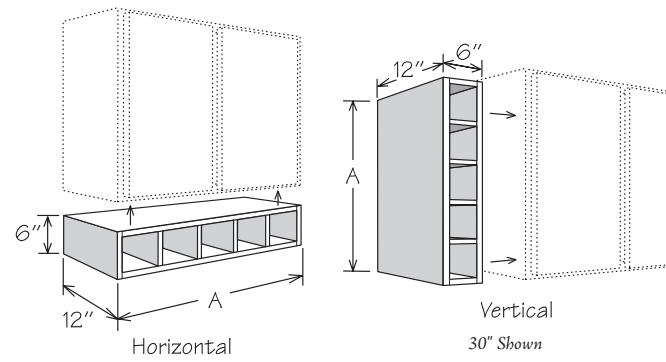


- Designed for desk or vanity application
- Field trimmable in height to 4 3/4"
- Field trimmable in depth to 18" or available with RD-20 through RD-12

CCDW
FADW
RD

	A	B	MAX. TRIM
KDC27/21	27"	17 3/4"	21" (3" each side)
KDC33/27	33"	23 3/4"	27" (3" each side)
KDC36/33	36"	29 3/4"	33" (1 1/2" each side)

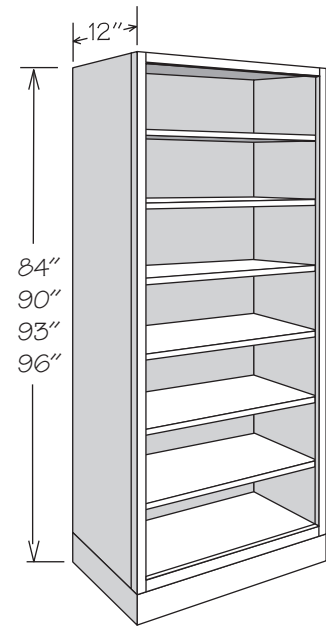
Storage Cube



- Vertical installation may require the use of fillers and/or molding which must be ordered separately
- Opening size is 5" wide x 4 1/2" high (horizontal) which will accommodate most envelopes and various other office supplies
- All door styles feature 3/4" veneered engineered wood finished to match cabinet box exterior
- Flush sides with no face frame or 1/4" reveals
- Interior finished to match cabinet box exterior
- Cannot be retrofitted with Spice Drawer Cabinet drawers

	A	NUMBER OF OPENINGS
SC30	30"	5
SC36	36"	6
SC42	42"	7

Tall Bookshelf



- Interior finished to match cabinet box exterior
- Flush furniture toe kick
- Toe kick shipped unattached for 93" and 96" high bookshelves
- 3/4" veneered adjustable shelves packaged separately

APC
FE
ID
PE
RD

12" DEEP

96"H • 6 shelves

BS1896
BS2496
BS3096
BS3696

90"H • 6 shelves

BS1890
BS2490
BS3090
BS3690

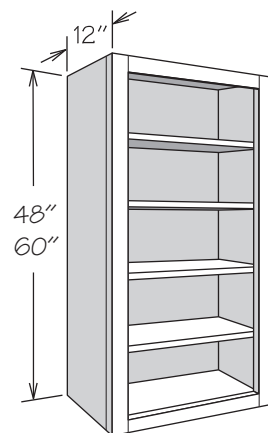
93"H • 6 shelves

BS1893
BS2493
BS3093
BS3693

84"H • 5 shelves

BS1884
BS2484
BS3084
BS3684

Wall Bookshelf



- Interior finished to match cabinet box exterior
- 3/4" adjustable shelves packaged separately

APC
FE
ID
PE
RD

12" DEEP

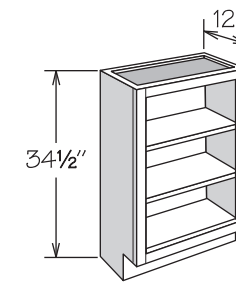
60"H • 4 shelves

BS1860
BS2460
BS3060
BS3660

48"H • 3 shelves

BS1848
BS2448
BS3048
BS3648

Base Bookshelf

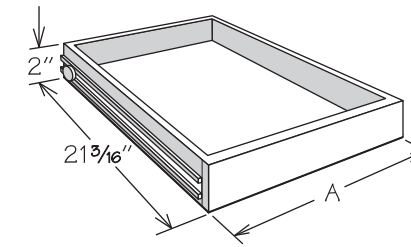


- Interior finished to match cabinet box exterior
- Two adjustable 3/4" shelves packaged separately

APC
FE
ID
PE
RD
RTK

12" DEEP
BS2434

Sliding Shelf Kit



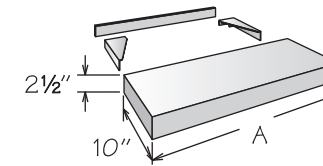
- Field installation accessory
- Engineered wood drawer with solid hardwood front, MDF bottom, and side-mounted drawer glides
- Includes sliding shelf, all glide hardware, and instructions
- SSKs can be used with all single and double door base cabinets
- SSK drill template is required for all double door cabinets that have fixed center stile - contact Customer Care for drill template

CCSS
FASS
RD

SLIDING SHELF KIT

	A
SSK12	8 1/2"
SSK15	11 1/2"
SSK18	14 1/2"
SSK21	17 1/2"
SSK24	20 1/2"

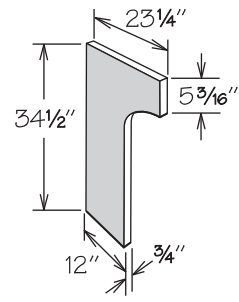
Floating Shelf



- Not trimmable
- Finished on all sides to match cabinet box exterior
- Features veneered engineered wood top and bottom and solid wood front and sides
- When installed between two cabinets, Furniture Ends (FE) are recommended for adjacent cabinets
- Must be secured to studs in wall
- Installation instructions, mounting brackets, and screws included

10" DEEP	A	MAX. LOAD
FLSH2410	24"	30 lbs.
FLSH3010	30"	37 lbs.
FLSH3610	36"	45 lbs.
FLSH4210	42"	52 lbs.
FLSH4810	48"	60 lbs.

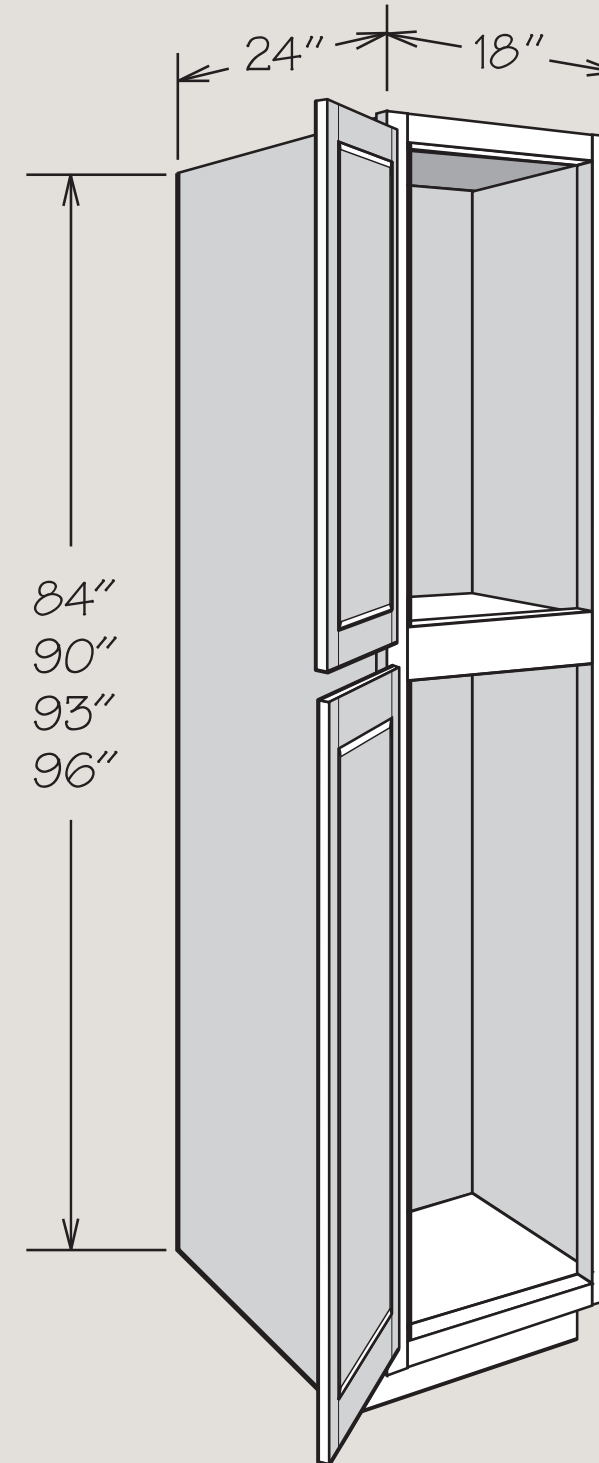
Desk End Panel



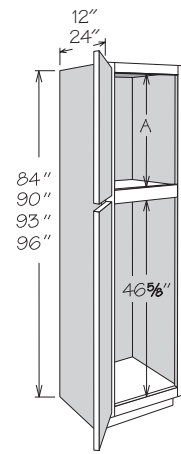
- All door styles feature 3/4" veneered engineered wood finished to match cabinet box exterior on both sides
- Recommend QM8 WD be ordered for installation to ensure proper attachment to wall
- Field trimmable

34 1/2" HIGH
DEP

TALL CABINETS



Utility Cabinet + 2 Doors



84" High Shown

- Shelving and optional interior accessories may be ordered separately (refer to Utility Cabinet Accessories for details)
- Cabinet backs are pre-drilled to accept up to four sliding shelves in lower section
- 4" inset toe kick assembly shipped inside 93" and 96" high cabinet
- Must be ordered hinged left or right
- Specialty Door cabinets (SD) feature Matching Interior standard and require a specialty door selection
- Bottom doors will have a center rail except for Charleston, Kinsdale, Lausanne, Maddox and all Duraform and Thermofoil door styles

APC
CCH
CFO
FE
MI
PE
RD

	A
84" High	26 7/8"
90" High	32 7/8"
93" High	35 7/8"
96" High	38 7/8"

12" DEEP

96" H

- UT1512 X 96
- UT1812 X 96
- UT1512 X 96 SD
- UT1812 X 96 SD

93" H

- UT1512 X 93
- UT1812 X 93
- UT1512 X 93 SD
- UT1812 X 93 SD

90" H

- UT1512 X 90
- UT1812 X 90
- UT1512 X 90 SD
- UT1812 X 90 SD

84" H

- UT1212 X 84
- UT1512 X 84
- UT1812 X 84
- UT1812 X 84 SD
- UT1212 X 84 SD
- UT1512 X 84 SD

24" DEEP

96" H

- UT1524 X 96
- UT1824 X 96
- UT1524 X 96 SD
- UT1824 X 96 SD

93" H

- UT1524 X 93
- UT1824 X 93
- UT1524 X 93 SD
- UT1824 X 93 SD

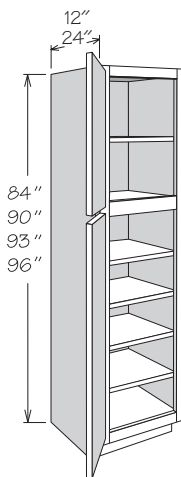
90" H

- UT1524 X 90
- UT1824 X 90
- UT1524 X 90 SD
- UT1824 X 90 SD

84" H

- UT1224 X 84
- UT1524 X 84
- UT1824 X 84
- UT1224 X 84 SD
- UT1524 X 84 SD
- UT1824 X 84 SD

Utility Cabinet + 2 Doors and Adjustable Shelves



84" High Shown

- Full-depth adjustable shelves are 3/4" engineered wood and edge banded on front edge only
- Bottom section features 4 adjustable shelves
- All shelving packaged separately for field installation
- 4" inset toe kick assembly shipped inside 93" and 96" high cabinet
- Must be ordered hinged left or right
- Specialty Door cabinets (SD) feature Matching Interior standard and require a specialty door selection
- Bottom doors will have a center rail except for Charleston, Kinsdale, Lausanne, Maddox and all Duraform and Thermofoil door styles

APC
CCH
FE
MI
PE
RD

12" DEEP

96" H • 3 Top Shelves

- UT1512 X 96 AS
- UT1812 X 96 AS
- UT1512 X 96 AS SD
- UT1812 X 96 AS SD

93" H • 3 Top Shelves

- UT1512 X 93 AS
- UT1812 X 93 AS
- UT1512 X 93 AS SD
- UT1812 X 93 AS SD

90" H • 2 Top Shelves

- UT1512 X 90 AS
- UT1812 X 90 AS
- UT1512 X 90 AS SD
- UT1812 X 90 AS SD

84" H • 1 Top Shelf

- UT1212 X 84 AS
- UT1512 X 84 AS
- UT1812 X 84 AS
- UT1212 X 84 AS SD
- UT1512 X 84 AS SD
- UT1812 X 84 AS SD

24" DEEP

96" H • 3 Top Shelves

- UT1524 X 96 AS
- UT1824 X 96 AS
- UT1524 X 96 AS SD
- UT1824 X 96 AS SD

93" H • 3 Top Shelves

- UT1524 X 93 AS
- UT1824 X 93 AS
- UT1524 X 93 AS SD
- UT1824 X 93 AS SD

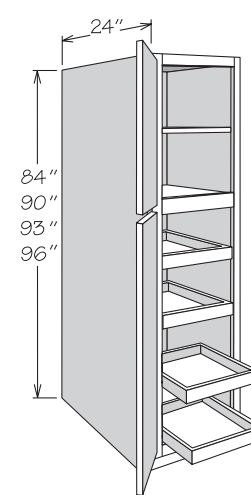
90" H • 2 Top Shelves

- UT1524 X 90 AS
- UT1824 X 90 AS
- UT1524 X 90 AS SD
- UT1824 X 90 AS SD

84" H • 1 Top Shelf

- UT1224 X 84 AS
- UT1524 X 84 AS
- UT1824 X 84 AS
- UT1224 X 84 AS SD
- UT1524 X 84 AS SD
- UT1824 X 84 AS SD

Utility Cabinet + 2 Doors and Sliding Shelves



84" High Shown

- Full-depth adjustable shelves are 3/4" engineered wood and edge banded on front edge only
- Bottom section features 4 sliding shelves
- All shelving and SSK sliding shelves packaged separately for field installation
- 4" inset toe kick assembly shipped inside 93" and 96" high cabinet
- Engineered wood sliding shelves with solid hardwood front, MDF bottom, and side-mounted drawer glides
- Must be ordered hinged left or right
- Specialty Door cabinets (SD) feature Matching Interior standard and require a specialty door selection
- Bottom doors will have a center rail except for Charleston, Kinsdale, Lausanne, Maddox and all Duraform and Thermofoil door styles

APC
CCH
CCSS
FASS
FE
MI
PE
RD

24" DEEP

96" H • 3 Top Shelves

- UT1524 X 96 4SSK
- UT1824 X 96 4SSK
- UT1524 X 96 4SSK SD
- UT1824 X 96 4SSK SD

93" H • 3 Top Shelves

- UT1524 X 93 4SSK
- UT1824 X 93 4SSK
- UT1524 X 93 4SSK SD
- UT1824 X 93 4SSK SD

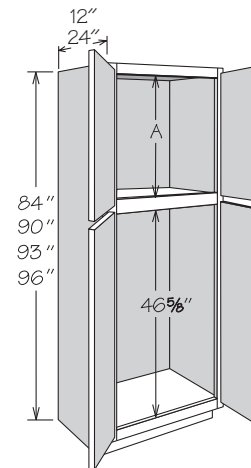
90" H • 2 Top Shelves

- UT1524 X 90 4SSK
- UT1824 X 90 4SSK
- UT1524 X 90 4SSK SD
- UT1824 X 90 4SSK SD

84" H • 1 Top Shelf

- UT1224 X 84 4SSK
- UT1524 X 84 4SSK
- UT1824 X 84 4SSK
- UT1224 X 84 4SSK SD
- UT1524 X 84 4SSK SD
- UT1824 X 84 4SSK SD

Utility Cabinet + 4 Butt Doors



84" High Shown

- Shelving and optional interior accessories may be ordered separately (refer to Utility Cabinet Accessories for details)
- Cabinet backs are pre-drilled to accept up to four sliding shelves in lower section
- 4" inset toe kick assembly shipped inside 93" and 96" high cabinet
- Specialty Door cabinets (SD) feature Matching Interior standard and require a specialty door selection
- Bottom doors will have a center rail except for Charleston, Kinsdale, Lausanne, Maddox and all Duraform and Thermofoil door styles

APC
CCH
CFO
FE
MI
PE
RD

	A
84" High	26 7/8"
90" High	32 7/8"
93" High	35 7/8"
96" High	38 7/8"

12" DEEP

96" H

- UT2412 X 96 BUTT
- UT2412 X 96 BUTT SD

93" H

- UT2412 X 93 BUTT
- UT2412 X 93 BUTT SD

90" H

- UT2412 X 90 BUTT
- UT2412 X 90 BUTT SD

84" H

- UT2412 X 84 BUTT
- UT2412 X 84 BUTT SD

24" DEEP

96" H

- UT2424 X 96 BUTT
- UT3024 X 96 BUTT
- UT3624 X 96 BUTT
- UT2424 X 96 BUTT SD
- UT3024 X 96 BUTT SD
- UT3624 X 96 BUTT SD

93" H

- UT2424 X 93 BUTT
- UT3024 X 93 BUTT
- UT3624 X 93 BUTT
- UT2424 X 93 BUTT SD
- UT3024 X 93 BUTT SD
- UT3624 X 93 BUTT SD

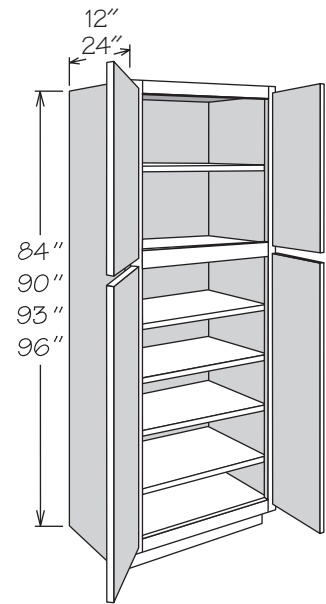
90" H

- UT2424 X 90 BUTT
- UT3024 X 90 BUTT
- UT3624 X 90 BUTT
- UT2424 X 90 BUTT SD
- UT3024 X 90 BUTT SD
- UT3624 X 90 BUTT SD

84" H

- UT2424 X 84 BUTT
- UT3024 X 84 BUTT
- UT3624 X 84 BUTT
- UT2424 X 84 BUTT SD
- UT3024 X 84 BUTT SD
- UT3624 X 84 BUTT SD

Utility Cabinet + 4 Butt Doors and Adjustable Shelves



84" High Shown

- Full-depth adjustable shelves are ¾" engineered wood and edge banded on front edge only
- Bottom section features 4 adjustable shelves
- All shelving packaged separately for field installation
- 4" inset toe kick assembly shipped inside 93" and 96" high cabinet
- Specialty Door cabinets (SD) feature Matching Interior standard and require a specialty door selection
- Bottom doors will have a center rail except for Charleston, Kinsdale, Lausanne, Maddox and all Duraform and Thermofoil door styles

APC
CCH
FE
MI
PE
RD

12" DEEP

96" H • 3 Top Shelves

UT2412 X 96 AS BUTT ■
UT2412 X 96 AS BUTT SD

93" H • 3 Top Shelves

UT2412 X 93 AS BUTT ■
UT2412 X 93 AS BUTT SD

24" DEEP

96" H • 3 Top Shelves

UT2424 X 96 AS BUTT ■
UT3024 X 96 AS BUTT ■
UT3624 X 96 AS BUTT ■
UT2424 X 96 AS BUTT SD
UT3024 X 96 AS BUTT SD
UT3624 X 96 AS BUTT SD

93" H • 3 Top Shelves

UT2424 X 93 AS BUTT ■
UT3024 X 93 AS BUTT ■
UT3624 X 93 AS BUTT ■
UT2424 X 93 AS BUTT SD
UT3024 X 93 AS BUTT SD
UT3624 X 93 AS BUTT SD

90" H • 2 Top Shelves

UT2412 X 90 AS BUTT ■
UT2412 X 90 AS BUTT SD

84" H • 1 Top Shelf

UT2412 X 84 AS BUTT ■
UT2412 X 84 AS BUTT SD

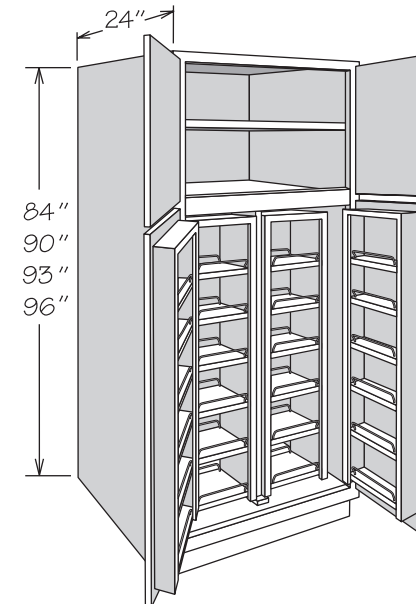
90" H • 2 Top Shelves

UT2424 X 90 AS BUTT ■
UT3024 X 90 AS BUTT ■
UT3624 X 90 AS BUTT ■
UT2424 X 90 AS BUTT SD
UT3024 X 90 AS BUTT SD
UT3624 X 90 AS BUTT SD

84" H • 1 Top Shelf

UT2424 X 84 AS BUTT ■
UT3024 X 84 AS BUTT ■
UT3624 X 84 AS BUTT ■
UT2424 X 84 AS BUTT SD
UT3024 X 84 AS BUTT SD
UT3624 X 84 AS BUTT SD

Utility Cabinet + 4 Butt Doors with Pantry Storage



84" High Shown

- Accessories and shelving packaged separately for field installation and include:
 - Pantry Swing-Out Kit (PCSK36)
 - Two Pantry Door Shelf Kits (PDSK18)
 - Utility Cabinet Shelf and Pilaster Kit (PSK36)
- Full-depth adjustable shelves are ¾" engineered wood and edge banded on front edge only
- 4" inset toe kick assembly shipped inside 93" and 96" high cabinet
- Minimum filler width of 4½" recommended for installation of this cabinet next to deeper adjacent objects including cabinets, walls, appliances, and countertops
- Specialty Door cabinets (SD) feature Matching Interior standard and require a specialty door selection
- Bottom doors will have a center rail except for Charleston, Kinsdale, Lausanne, Maddox and all Duraform and Thermofoil door styles

APC
CCH
FE
MI
PE

24" DEEP

96" H • 3 Top Shelves

UT3624 X 96 PCDS BUTT ■
UT3624 X 96 PCDS BUTT SD

93" H • 3 Top Shelves

UT3624 X 93 PCDS BUTT ■
UT3624 X 93 PCDS BUTT SD

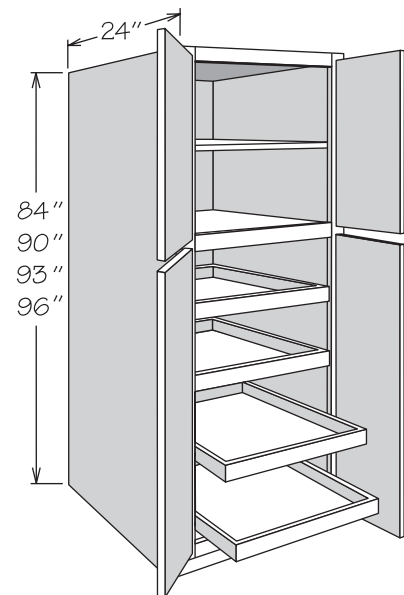
90" H • 2 Top Shelves

UT3624 X 90 PCDS BUTT ■
UT3624 X 90 PCDS BUTT SD

84" H • 1 Top Shelf

UT3624 X 84 PCDS BUTT ■
UT3624 X 84 PCDS BUTT SD

Utility Cabinet + 4 Butt Doors and Sliding Shelves



84" High Shown

- Full-depth adjustable shelves are ¾" engineered wood and edge banded on front edge only
- Bottom section features 4 sliding shelves
- All shelving and SSK sliding shelves packaged separately for field installation
- 4" inset toe kick assembly shipped inside 93" and 96" high cabinet
- Engineered wood sliding shelves with solid hardwood front, MDF bottom, and side-mounted drawer glides
- Specialty Door cabinets (SD) feature Matching Interior standard and require a specialty door selection
- Bottom doors will have a center rail except for Charleston, Kinsdale, Lausanne, Maddox and all Duraform and Thermofoil door styles

APC
CCH
CCSS
FASS
FE
MI
PE
RD

24" DEEP

96" H • 3 Top Shelves

UT2424 X 96 4SSK BUTT ■
UT3024 X 96 4SSK BUTT ■
UT3624 X 96 4SSK BUTT ■
UT2424 X 96 4SSK BUTT SD
UT3024 X 96 4SSK BUTT SD
UT3624 X 96 4SSK BUTT SD

93" H • 3 Top Shelves

UT2424 X 93 4SSK BUTT ■
UT3024 X 93 4SSK BUTT ■
UT3624 X 93 4SSK BUTT ■
UT2424 X 93 4SSK BUTT SD
UT3024 X 93 4SSK BUTT SD
UT3624 X 93 4SSK BUTT SD

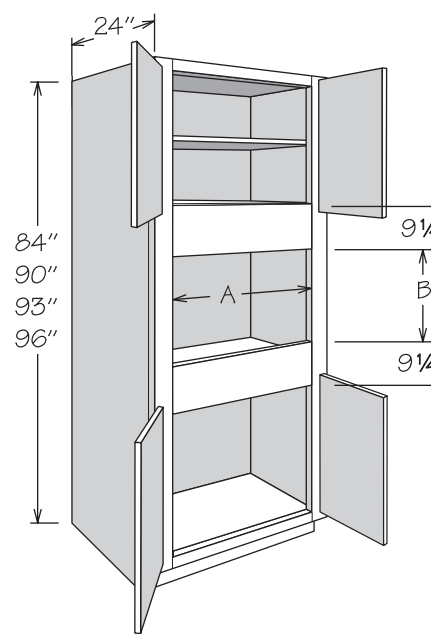
90" H • 2 Top Shelves

UT2424 X 90 4SSK BUTT ■
UT3024 X 90 4SSK BUTT ■
UT3624 X 90 4SSK BUTT ■
UT2424 X 90 4SSK BUTT SD
UT3024 X 90 4SSK BUTT SD
UT3624 X 90 4SSK BUTT SD

84" H • 1 Top Shelf

UT2424 X 84 4SSK BUTT ■
UT3024 X 84 4SSK BUTT ■
UT3624 X 84 4SSK BUTT ■
UT2424 X 84 4SSK BUTT SD
UT3024 X 84 4SSK BUTT SD
UT3624 X 84 4SSK BUTT SD

Single Oven Cabinet + 4 Butt Doors



90" High Shown

- Features a solid back
- 3½" stiles
- All door styles feature face-mount hinges
- Full-depth adjustable shelves and ¾" engineered wood and edge banded on front edge only
- Shelf packaged separately for field installation
- Order Oven Support Shelf (OSS_) separately
- Refer to appliance manufacturer's specifications for adequate clearances and required installation materials

APC
CCH
CFO
FE
PE
RD

A ACTUAL A MAX. B ACTUAL B MAX.

96" H • 3 Top Shelves

OVS2796 AS BUTT	20¾"	25"	22½"	37¾"
OVS3096 AS BUTT	23¾"	28"	22½"	37¾"
OVS3396 AS BUTT	26¾"	31"	22½"	37¾"

93" H • 2 Top Shelves

OVS2793 AS BUTT	20¾"	25"	22½"	37¾"
OVS3093 AS BUTT	23¾"	28"	22½"	37¾"
OVS3393 AS BUTT	26¾"	31"	22½"	37¾"

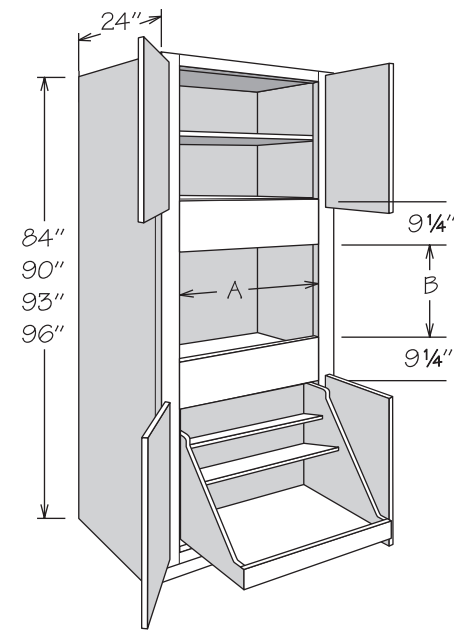
90" H • 1 Top Shelf

OVS2790 AS BUTT	20¾"	25"	21¼"	37"
OVS3090 AS BUTT	23¾"	28"	21¼"	37"
OVS3390 AS BUTT	26¾"	31"	21¼"	37"

84" H • No Shelf

OVS2784 BUTT	20¾"	25"	22½"	37¾"
OVS3084 BUTT	23¾"	28"	22½"	37¾"
OVS3384 BUTT	26¾"	31"	22½"	37¾"

Single Oven Cabinet + 4 Butt Doors and Pot & Pan Organizer



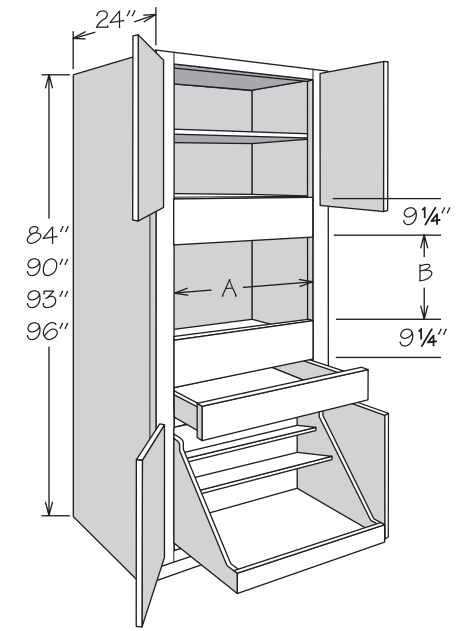
90" High Shown

- Features a solid back
- 3/8" stiles
- All doors styles feature face-mount hinges
- Shelving and Pot & Pan Organizer packaged separately for field installation
- Organizer in natural finish solid wood and wood veneer with dovetail construction and full-extension drawer glides
- Organizer top shelf measures 6 3/4" deep
- Organizer middle shelf measures 9 3/4" deep
- Order Oven Support Shelf (OSS_) separately
- Refer to appliance manufacturer's specifications for adequate clearances and required installation materials

APC
CCH
CCSS
FE
PE

	A ACTUAL	A MAX.	B ACTUAL	B MAX.
96"H • 3 Top Shelves				
OVS2796 BUTT FABPPO	20 3/4"	25"	22 1/2"	37 3/8"
OVS3096 BUTT FABPPO	23 3/4"	28"	22 1/2"	37 3/8"
OVS3396 BUTT FABPPO	26 3/4"	31"	22 1/2"	37 3/8"
93"H • 2 Top Shelves				
OVS2793 BUTT FABPPO	20 3/4"	25"	22 1/2"	37 3/8"
OVS3093 BUTT FABPPO	23 3/4"	28"	22 1/2"	37 3/8"
OVS3393 BUTT FABPPO	26 3/4"	31"	22 1/2"	37 3/8"
90"H • 1 Top Shelf				
OVS2790 BUTT FABPPO	20 3/4"	25"	21 1/4"	37"
OVS3090 BUTT FABPPO	23 3/4"	28"	21 1/4"	37"
OVS3390 BUTT FABPPO	26 3/4"	31"	21 1/4"	37"
84"H • No Shelf				
OVS2784 BUTT FABPPO	20 3/4"	25"	22 1/2"	37 3/8"
OVS3084 BUTT FABPPO	23 3/4"	28"	22 1/2"	37 3/8"
OVS3384 BUTT FABPPO	26 3/4"	31"	22 1/2"	37 3/8"

Single Oven Cabinet + 4 Butt Doors and 1 Drawer, Pot & Pan Organizer



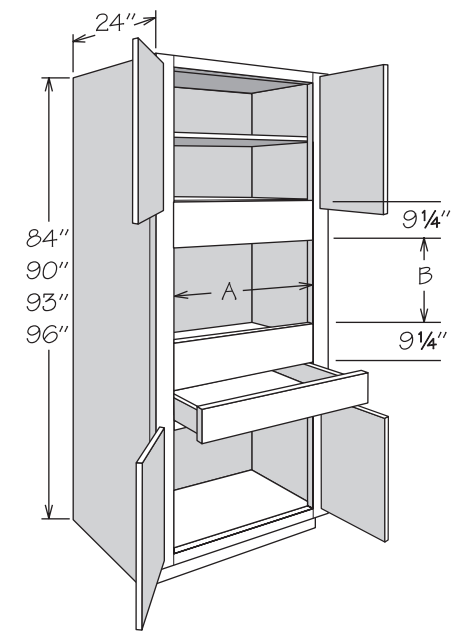
90" High Shown

- Features a solid back
- 3/8" stiles
- All door styles feature face-mount hinges
- Full-depth adjustable shelves and 3/4" engineered wood and edge banded on front edge only
- Shelving and Pot & Pan Organizer packaged separately for field installation
- Organizer in natural finish solid wood and wood veneer with dovetail construction and full-extension drawer glides
- Organizer top shelf measures 6 3/4" deep
- Organizer middle shelf measures 9 3/4" deep
- Order Oven Support Shelf (OSS_) separately
- Refer to appliance manufacturer's specifications for adequate clearances and required installation materials

APC
CCH
CCDW
CCSS
FADW
FE
PE

	A ACTUAL	A MAX.	B ACTUAL	B MAX.
96"H • 3 Top Shelves				
OVS2796 BUTT 1DWR FABPPO	20 3/4"	25"	16 1/8"	31 3/8"
OVS3096 BUTT 1DWR FABPPO	23 3/4"	28"	16 1/8"	31 3/8"
OVS3396 BUTT 1DWR FABPPO	26 3/4"	31"	16 1/8"	31 3/8"
93"H • 2 Top Shelves				
OVS2793 BUTT 1DWR FABPPO	20 3/4"	25"	16 1/8"	31 3/8"
OVS3093 BUTT 1DWR FABPPO	23 3/4"	28"	16 1/8"	31 3/8"
OVS3393 BUTT 1DWR FABPPO	26 3/4"	31"	16 1/8"	31 3/8"
90"H • 1 Top Shelf				
OVS2790 BUTT 1DWR FABPPO	20 3/4"	25"	15 3/4"	31"
OVS3090 BUTT 1DWR FABPPO	23 3/4"	28"	15 3/4"	31"
OVS3390 BUTT 1DWR FABPPO	26 3/4"	31"	15 3/4"	31"
84"H • No Shelf				
OVS2784 BUTT 1DWR FABPPO	20 3/4"	25"	16 1/8"	31 3/8"
OVS3084 BUTT 1DWR FABPPO	23 3/4"	28"	16 1/8"	31 3/8"
OVS3384 BUTT 1DWR FABPPO	26 3/4"	31"	16 1/8"	31 3/8"

Single Oven Cabinet + 4 Butt Doors and 1 Drawer



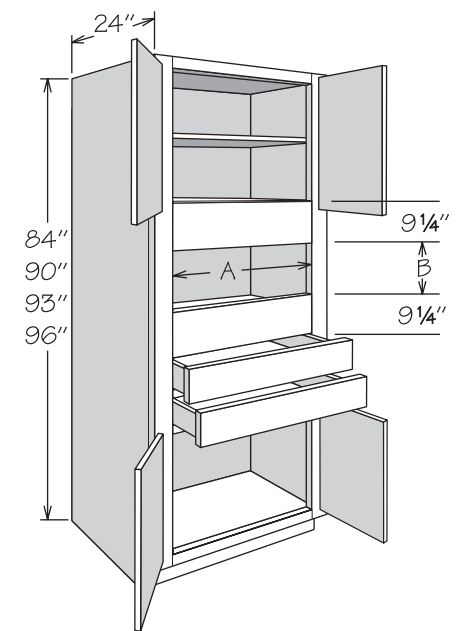
90" High Shown

- Features a solid back
- 3/8" stiles
- All door styles feature face-mount hinges
- One standard drawer
- Full-depth adjustable shelves and 3/4" engineered wood and edge banded on front edge only
- Shelf packaged separately for field installation
- Order Oven Support Shelf (OSS_) separately
- Refer to appliance manufacturer's specifications for adequate clearances and required installation materials

APC
CCH
CCDW
CFO
FADW
FE
PE
RD

	A ACTUAL	A MAX.	B ACTUAL	B MAX.
96"H • 3 Top Shelves				
OVS2796 AS BUTT 1DWR	20 3/4"	25"	16 1/8"	31 3/8"
OVS3096 AS BUTT 1DWR	23 3/4"	28"	16 1/8"	31 3/8"
OVS3396 AS BUTT 1DWR	26 3/4"	31"	16 1/8"	31 3/8"
93"H • 2 Top Shelves				
OVS2793 AS BUTT 1DWR	20 3/4"	25"	16 1/8"	31 3/8"
OVS3093 AS BUTT 1DWR	23 3/4"	28"	16 1/8"	31 3/8"
OVS3393 AS BUTT 1DWR	26 3/4"	31"	16 1/8"	31 3/8"
90"H • 1 Top Shelf				
OVS2790 AS BUTT 1DWR	20 3/4"	25"	15 3/4"	31"
OVS3090 AS BUTT 1DWR	23 3/4"	28"	15 3/4"	31"
OVS3390 AS BUTT 1DWR	26 3/4"	31"	15 3/4"	31"
84"H • No Shelf				
OVS2784 BUTT 1DWR	20 3/4"	25"	16 1/8"	31 3/8"
OVS3084 BUTT 1DWR	23 3/4"	28"	16 1/8"	31 3/8"
OVS3384 BUTT 1DWR	26 3/4"	31"	16 1/8"	31 3/8"

Single Oven Cabinet + 4 Butt Doors and 2 Drawers



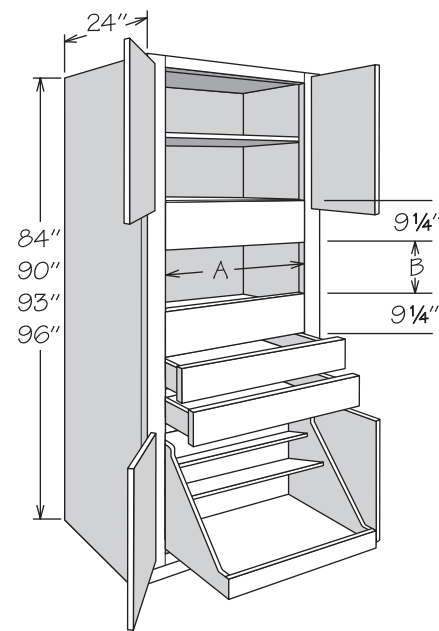
90" High Shown

- Features a solid back
- 3/8" stiles
- All door styles feature face-mount hinges
- Two standard drawers
- Full-depth adjustable shelves and 3/4" engineered wood and edge banded on front edge only
- Shelf packaged separately for field installation
- Order Oven Support Shelf (OSS_) separately
- Refer to appliance manufacturer's specifications for adequate clearances and required installation materials

APC
CCH
CCDW
CFO
FADW
FE
PE
RD

	A ACTUAL	A MAX.	B ACTUAL	B MAX.
96"H • 3 Top Shelves				
OVS2796 AS BUTT 2DWR	20 3/4"	25"	10 1/8"	25 3/8"
OVS3096 AS BUTT 2DWR	23 3/4"	28"	10 1/8"	25 3/8"
OVS3396 AS BUTT 2DWR	26 3/4"	31"	10 1/8"	25 3/8"
93"H • 2 Top Shelves				
OVS2793 AS BUTT 2DWR	20 3/4"	25"	10 1/8"	25 3/8"
OVS3093 AS BUTT 2DWR	23 3/4"	28"	10 1/8"	25 3/8"
OVS3393 AS BUTT 2DWR	26 3/4"	31"	10 1/8"	25 3/8"
90"H • 1 Top Shelf				
OVS2790 AS BUTT 2DWR	20 3/4"	25"	9 3/4"	25"
OVS3090 AS BUTT 2DWR	23 3/4"	28"	9 3/4"	25"
OVS3390 AS BUTT 2DWR	26 3/4"	31"	9 3/4"	25"
84"H • No Shelf				
OVS2784 BUTT 2DWR	20 3/4"	25"	10 1/8"	25 3/8"
OVS3084 BUTT 2DWR	23 3/4"	28"	10 1/8"	25 3/8"
OVS3384 BUTT 2DWR	26 3/4"	31"	10 1/8"	25 3/8"

Single Oven Cabinet + 4 Butt Doors, 2 Drawers and Pot & Pan Organizer



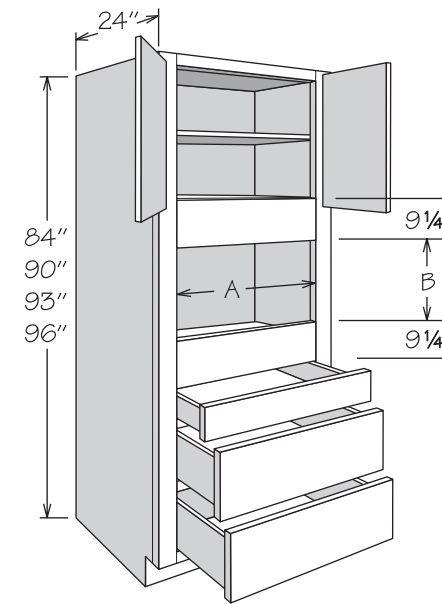
90" High Shown

- Features a solid back
- 3/8" stiles
- All door styles feature face-mount hinges
- Two standard drawers
- Shelving and Pot & Pan Organizer packaged separately for field installation
- Organizer in natural finish solid wood and wood veneer with dovetail construction and full-extension drawer glides
- Organizer top shelf measures 6 7/8" deep
- Organizer middle shelf measures 9 3/4" deep
- Full-depth adjustable shelves and 3/4" engineered wood and edge banded on front edge only
- Order Oven Support Shelf (OSS_) separately
- Refer to appliance manufacturer's specifications for adequate clearances and required installation materials

APC
CCH
CCDW
CCSS
FADW
FE
PE

	A ACTUAL	A MAX.	B ACTUAL	B MAX.
96"H • 3 Top Shelves				
OVS2796 BUTT 2DWR FABPPO	20 3/4"	25"	10 1/8"	25 3/8"
OVS3096 BUTT 2DWR FABPPO	23 3/4"	28"	10 1/8"	25 3/8"
OVS3396 BUTT 2DWR FABPPO	26 3/4"	31"	10 1/8"	25 3/8"
93"H • 2 Top Shelves				
OVS2793 BUTT 2DWR FABPPO	20 3/4"	25"	10 1/8"	25 3/8"
OVS3093 BUTT 2DWR FABPPO	23 3/4"	28"	10 1/8"	25 3/8"
OVS3393 BUTT 2DWR FABPPO	26 3/4"	31"	10 1/8"	25 3/8"
90"H • 1 Top Shelf				
OVS2790 BUTT 2DWR FABPPO	20 3/4"	25"	9 3/4"	25"
OVS3090 BUTT 2DWR FABPPO	23 3/4"	28"	9 3/4"	25"
OVS3390 BUTT 2DWR FABPPO	26 3/4"	31"	9 3/4"	25"
84"H • No Shelf				
OVS2784 BUTT 2DWR FABPPO	20 3/4"	25"	10 1/8"	25 3/8"
OVS3084 BUTT 2DWR FABPPO	23 3/4"	28"	10 1/8"	25 3/8"
OVS3384 BUTT 2DWR FABPPO	26 3/4"	31"	10 1/8"	25 3/8"

Single Oven Cabinet + 2 Butt Doors and 3 Drawers



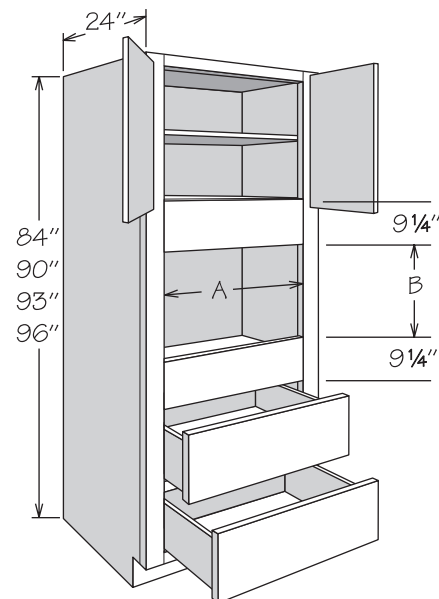
90" High Shown

- Features a solid back
- 3/8" stiles
- All door styles feature face-mount hinges
- One standard and two large drawers
- Shelf packaged separately for field installation
- Full-depth adjustable shelves and 3/4" engineered wood and edge banded on front edge only
- Order Oven Support Shelf (OSS_) separately
- Refer to appliance manufacturer's specifications for adequate clearances and required installation materials

APC
CCH
CCDW
CFO
FADW
FE
PE
RD

	A ACTUAL	A MAX.	B ACTUAL	B MAX.
96"H • 3 Top Shelves				
OVS2796 AS BUTT 3DWR	20 3/4"	25"	16 1/8"	31 3/8"
OVS3096 AS BUTT 3DWR	23 3/4"	28"	16 1/8"	31 3/8"
OVS3396 AS BUTT 3DWR	26 3/4"	31"	16 1/8"	31 3/8"
93"H • 2 Top Shelves				
OVS2793 AS BUTT 3DWR	20 3/4"	25"	16 1/8"	31 3/8"
OVS3093 AS BUTT 3DWR	23 3/4"	28"	16 1/8"	31 3/8"
OVS3393 AS BUTT 3DWR	26 3/4"	31"	16 1/8"	31 3/8"
90"H • 1 Top Shelf				
OVS2790 AS BUTT 3DWR	20 3/4"	25"	15 3/4"	31"
OVS3090 AS BUTT 3DWR	23 3/4"	28"	15 3/4"	31"
OVS3390 AS BUTT 3DWR	26 3/4"	31"	15 3/4"	31"
84"H • No Shelf				
OVS2784 BUTT 3DWR	20 3/4"	25"	16 1/8"	31 3/8"
OVS3084 BUTT 3DWR	23 3/4"	28"	16 1/8"	31 3/8"
OVS3384 BUTT 3DWR	26 3/4"	31"	16 1/8"	31 3/8"

Single Oven Cabinet + 2 Butt Doors and 2 Large Drawers



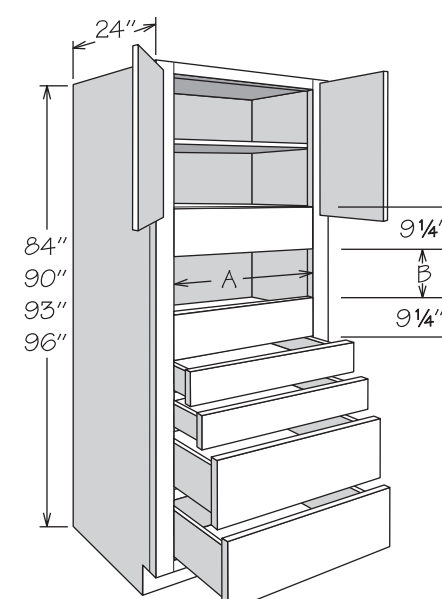
90" High Shown

- Features a solid back
- 3/8" stiles
- All door styles feature face-mount hinges
- Two large drawers
- Shelf packaged separately for field installation
- Full-depth adjustable shelves and 3/4" engineered wood and edge banded on front edge only
- Order Oven Support Shelf (OSS_) separately
- Refer to appliance manufacturer's specifications for adequate clearances and required installation materials

APC
CCH
CCDW
CFO
FADW
FE
PE
RD

	A ACTUAL	A MAX.	B ACTUAL	B MAX.
96"H • 3 Top Shelves				
OVS2796 AS BUTT 2DDWR	20 3/4"	25"	22 1/8"	37 3/8"
OVS3096 AS BUTT 2DDWR	23 3/4"	28"	22 1/8"	37 3/8"
OVS3396 AS BUTT 2DDWR	26 3/4"	31"	22 1/8"	37 3/8"
93"H • 2 Top Shelves				
OVS2793 AS BUTT 2DDWR	20 3/4"	25"	22 1/8"	37 3/8"
OVS3093 AS BUTT 2DDWR	23 3/4"	28"	22 1/8"	37 3/8"
OVS3393 AS BUTT 2DDWR	26 3/4"	31"	22 1/8"	37 3/8"
90"H • 1 Top Shelf				
OVS2790 AS BUTT 2DDWR	20 3/4"	25"	21 1/4"	37"
OVS3090 AS BUTT 2DDWR	23 3/4"	28"	21 1/4"	37"
OVS3390 AS BUTT 2DDWR	26 3/4"	31"	21 1/4"	37"
84"H • No Shelf				
OVS2784 BUTT 2DDWR	20 3/4"	25"	22 1/8"	37 3/8"
OVS3084 BUTT 2DDWR	23 3/4"	28"	22 1/8"	37 3/8"
OVS3384 BUTT 2DDWR	26 3/4"	31"	22 1/8"	37 3/8"

Single Oven Cabinet + 2 Butt Doors and 4 Drawers



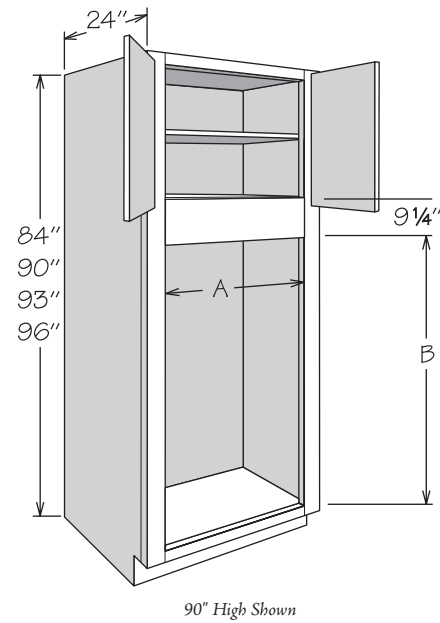
90" High Shown

- Features a solid back
- 3/8" stiles
- All door styles feature face-mount hinges
- Two standard and two large drawers
- Shelf packaged separately for field installation
- Full-depth adjustable shelves and 3/4" engineered wood and edge banded on front edge only
- Order Oven Support Shelf (OSS_) separately
- Refer to appliance manufacturer's specifications for adequate clearances and required installation materials

APC
CCH
CCDW
CFO
FADW
FE
PE
RD

	A ACTUAL	A MAX.	B ACTUAL	B MAX.
96"H • 3 Top Shelves				
OVS2796 AS BUTT 4DWR	20 3/4"	25"	10 1/8"	25 3/8"
OVS3096 AS BUTT 4DWR	23 3/4"	28"	10 1/8"	25 3/8"
OVS3396 AS BUTT 4DWR	26 3/4"	31"	10 1/8"	25 3/8"
93"H • 2 Top Shelves				
OVS2793 AS BUTT 4DWR	20 3/4"	25"	10 1/8"	25 3/8"
OVS3093 AS BUTT 4DWR	23 3/4"	28"	10 1/8"	25 3/8"
OVS3393 AS BUTT 4DWR	26 3/4"	31"	10 1/8"	25 3/8"
90"H • 1 Top Shelf				
OVS2790 AS BUTT 4DWR	20 3/4"	25"	9 3/4"	25"
OVS3090 AS BUTT 4DWR	23 3/4"	28"	9 3/4"	25"
OVS3390 AS BUTT 4DWR	26 3/4"	31"	9 3/4"	25"
84"H • No Shelf				
OVS2784 BUTT 4DWR	20 3/4"	25"	10 1/8"	25 3/8"
OVS3084 BUTT 4DWR	23 3/4"	28"	10 1/8"	25 3/8"
OVS3384 BUTT 4DWR	26 3/4"	31"	10 1/8"	25 3/8"

Double Oven Cabinet + 2 Butt Doors and No Drawer

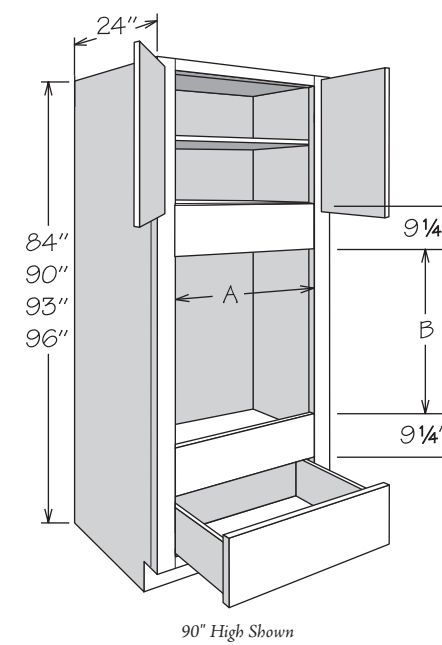


- Features a solid back
- 3/8" stiles
- All door styles feature face-mount hinges
- Shelf packaged separately for field installation
- Full-depth adjustable shelves and 3/4" engineered wood and edge banded on front edge only
- Order Oven Support Shelf (OSS_) separately
- Refer to appliance manufacturer's specifications for adequate clearances and required installation materials

APC
CCH
CFO
FE
PE
RD

	A ACTUAL	A MAX.	B ACTUAL	B MAX.
96"H • 3 Top Shelves				
OVD2796 AS BUTT NDWR	20 3/4"	25"	52 5/8"	60 1/4"
OVD3096 AS BUTT NDWR	23 3/4"	28"	52 5/8"	60 1/4"
OVD3396 AS BUTT NDWR	26 3/4"	31"	52 5/8"	60 1/4"
93"H • 2 Top Shelves				
OVD2793 AS BUTT NDWR	20 3/4"	25"	52 5/8"	60 1/4"
OVD3093 AS BUTT NDWR	23 3/4"	28"	52 5/8"	60 1/4"
OVD3393 AS BUTT NDWR	26 3/4"	31"	52 5/8"	60 1/4"
90"H • 1 Top Shelf				
OVD2790 AS BUTT NDWR	20 3/4"	25"	52 1/4"	59 7/8"
OVD3090 AS BUTT NDWR	23 3/4"	28"	52 1/4"	59 7/8"
OVD3390 AS BUTT NDWR	26 3/4"	31"	52 1/4"	59 7/8"
84"H • No Shelf				
OVD2784 BUTT NDWR	20 3/4"	25"	52 5/8"	60 1/4"
OVD3084 BUTT NDWR	23 3/4"	28"	52 5/8"	60 1/4"
OVD3384 BUTT NDWR	26 3/4"	31"	52 5/8"	60 1/4"

Double Oven Cabinet + 2 Butt Doors and 1 Large Drawer

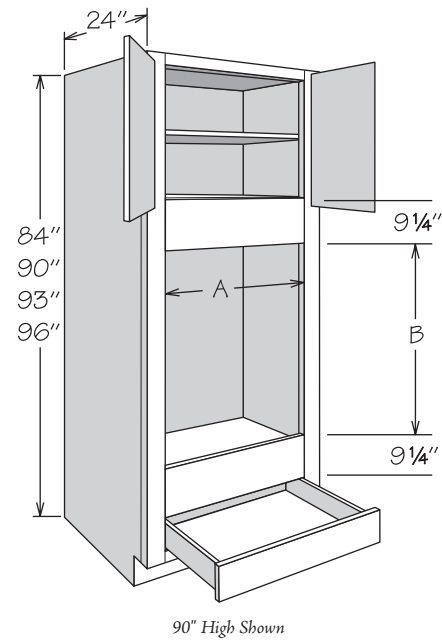


- Features a solid back
- 3/8" stiles
- All door styles feature face-mount hinges
- One large drawer
- Shelf packaged separately for field installation
- Full-depth adjustable shelves and 3/4" engineered wood and edge banded on front edge only
- Order Oven Support Shelf (OSS_) separately
- Refer to appliance manufacturer's specifications for adequate clearances and required installation materials

APC
CCDW
CCH
CFO
FADW
FE
PE
RD

	A ACTUAL	A MAX.	B ACTUAL	B MAX.
96"H • 3 Top Shelves				
OVD2796 AS BUTT 1DDWR	20 3/4"	25"	33 3/16"	48 13/16"
OVD3096 AS BUTT 1DDWR	23 3/4"	28"	33 3/16"	48 13/16"
OVD3396 AS BUTT 1DDWR	26 3/4"	31"	33 3/16"	48 13/16"
93"H • 2 Top Shelves				
OVD2793 AS BUTT 1DDWR	20 3/4"	25"	33 3/16"	48 13/16"
OVD3093 AS BUTT 1DDWR	23 3/4"	28"	33 3/16"	48 13/16"
OVD3393 AS BUTT 1DDWR	26 3/4"	31"	33 3/16"	48 13/16"
90"H • 1 Top Shelf				
OVD2790 AS BUTT 1DDWR	20 3/4"	25"	33 3/16"	48 7/16"
OVD3090 AS BUTT 1DDWR	23 3/4"	28"	33 3/16"	48 7/16"
OVD3390 AS BUTT 1DDWR	26 3/4"	31"	33 3/16"	48 7/16"
84"H • No Shelf				
OVD2784 BUTT 1DDWR	20 3/4"	25"	33 3/16"	48 13/16"
OVD3084 BUTT 1DDWR	23 3/4"	28"	33 3/16"	48 13/16"
OVD3384 BUTT 1DDWR	26 3/4"	31"	33 3/16"	48 13/16"

Double Oven Cabinet + 2 Butt Doors and 1 Drawer

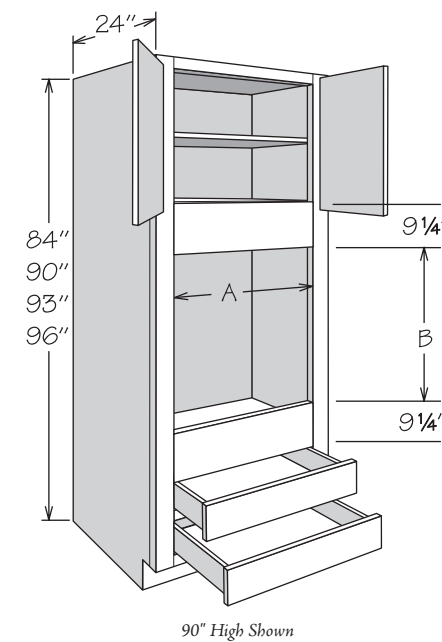


- Features a solid back
- 3/8" stiles
- One standard drawers
- All door styles feature face-mount hinges
- Shelf packaged separately for field installation
- Full-depth adjustable shelves and 3/4" engineered wood and edge banded on front edge only
- Order Oven Support Shelf (OSS_) separately
- Refer to appliance manufacturer's specifications for adequate clearances and required installation materials

APC
CCDW
CCH
CFO
FADW
FE
PE
RD

	A ACTUAL	A MAX.	B ACTUAL	B MAX.
96"H • 3 Top Shelves				
OVD2796 AS BUTT	20 3/4"	25"	39"	54 1/4"
OVD3096 AS BUTT	23 3/4"	28"	39"	54 1/4"
OVD3396 AS BUTT	26 3/4"	31"	39"	54 1/4"
93"H • 2 Top Shelves				
OVD2793 AS BUTT	20 3/4"	25"	39"	54 1/4"
OVD3093 AS BUTT	23 3/4"	28"	39"	54 1/4"
OVD3393 AS BUTT	26 3/4"	31"	39"	54 1/4"
90"H • 1 Top Shelf				
OVD2790 AS BUTT	20 3/4"	25"	38 5/8"	53 3/8"
OVD3090 AS BUTT	23 3/4"	28"	38 5/8"	53 3/8"
OVD3390 AS BUTT	26 3/4"	31"	38 5/8"	53 3/8"
84"H • No Shelf				
OVD2784 BUTT	20 3/4"	25"	39"	54 1/4"
OVD3084 BUTT	23 3/4"	28"	39"	54 1/4"
OVD3384 BUTT	26 3/4"	31"	39"	54 1/4"

Double Oven Cabinet + 2 Butt Doors and 2 Drawers

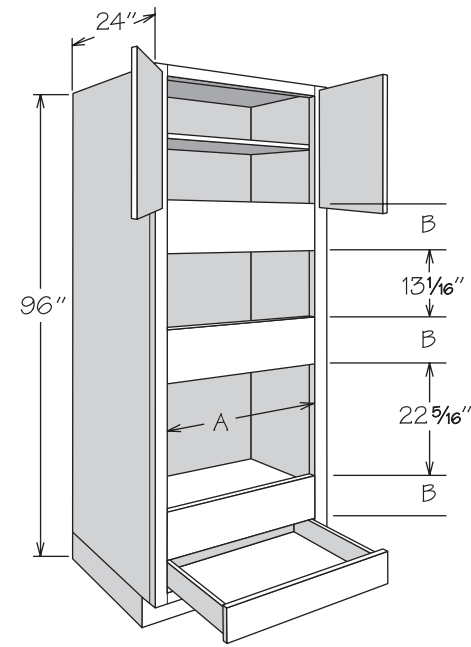


- Features a solid back
- 3/8" stiles
- All door styles feature face-mount hinges
- Two standard drawers
- Shelf packaged separately for field installation
- Full-depth adjustable shelves and 3/4" engineered wood and edge banded on front edge only
- Order Oven Support Shelf (OSS_) separately
- Refer to appliance manufacturer's specifications for adequate clearances and required installation materials

APC
CCDW
CCH
CFO
FADW
FE
PE
RD

	A ACTUAL	A MAX.	B ACTUAL	B MAX.
96"H • 3 Top Shelves				
OVD2796 AS BUTT 2DWR	20 3/4"	25"	33"	48 1/4"
OVD3096 AS BUTT 2DWR	23 3/4"	28"	33"	48 1/4"
OVD3396 AS BUTT 2DWR	26 3/4"	31"	33"	48 1/4"
93"H • 2 Top Shelves				
OVD2793 AS BUTT 2DWR	20 3/4"	25"	33"	48 1/4"
OVD3093 AS BUTT 2DWR	23 3/4"	28"	33"	48 1/4"
OVD3393 AS BUTT 2DWR	26 3/4"	31"	33"	48 1/4"
90"H • 1 Top Shelf				
OVD2790 AS BUTT 2DWR	20 3/4"	25"	32 5/8"	47 3/8"
OVD3090 AS BUTT 2DWR	23 3/4"	28"	32 5/8"	47 3/8"
OVD3390 AS BUTT 2DWR	26 3/4"	31"	32 5/8"	47 3/8"
84"H • No Shelf				
OVD2784 BUTT 2DWR	20 3/4"	25"	33"	48 1/4"
OVD3084 BUTT 2DWR	23 3/4"	28"	33"	48 1/4"
OVD3384 BUTT 2DWR	26 3/4"	31"	33"	48 1/4"

Oven Microwave Cabinet + 2 Butt Doors and 1 Drawer

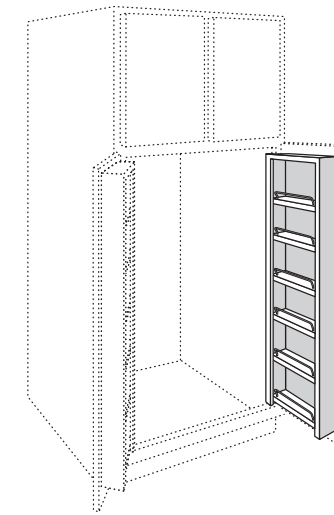


- Features a solid back
- 3/8" stiles
- All doors feature face-mount hinges
- Features one standard drawer
- Shelving packaged separately for field installation
- 4" inset toe-kick assembly shipped inside cabinet
- For use with built-in style microwaves only
- Features one full-depth 3/4" engineered wood shelf edge banded on front edge only (for top section)
- Features two Oven Support Shelves packaged separately for field installation
- Refer to appliance manufacturer's specifications for adequate clearance and required materials

APC
CCDW
CCH
CFO
FADW
FE
PE
RD

	A ACTUAL	A MAX.	B ACTUAL	B MAX.
96"H • 1 Top Shelf OMC3396 AS OS BUTT	26 3/4"	31"	9 1/4"	2 3/4"

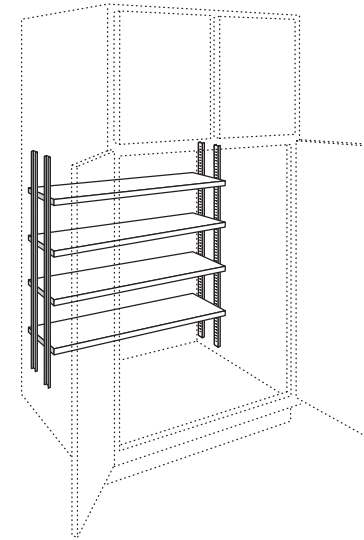
Pantry Door Shelf Kit



- Field installation accessory
- For use inside UT1824 or UT3624
- Order each door unit separately
- Can be used with PCSK36 and/or PSK36
- Natural finish unit features one fixed and five adjustable shelves with chrome rails
- Overall dimensions: 12" wide x 45" high x 4" deep
- Not sized to fit reduced depth cabinets
- Minimum filler width of 4 1/2" recommended for installation of this accessory next to deeper adjacent objects including cabinets, walls, appliances, and countertops

PDSK18

Shelf & Pilaster Kit

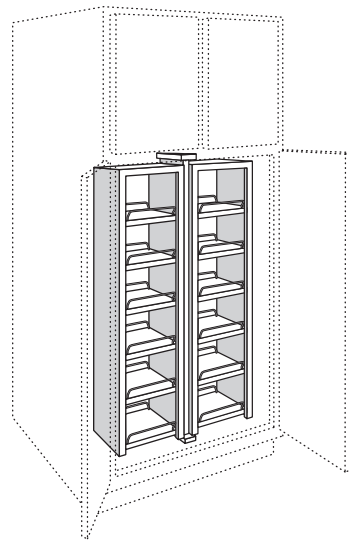


- Field installation accessory
- Kit includes four 9" deep shelves edge banded on front edge only, four 36" zinc pilasters, screws, and installation instructions
- For use inside UT3624
- Field trimmable for use inside UT1824
- Can be used with PCSK36 and/or PDSK18

APC
RD

PSK36

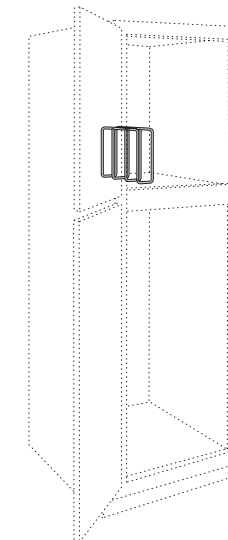
Pantry Swing-Out Kit



- Field installation accessory
- For use inside UT3624
- Can be used with PDSK18 and/or PSK36
- Natural finish unit features two fixed and ten adjustable shelves with chrome rails
- Overall dimensions: 25 1/8" wide x 45" high x 7 1/2" deep
- Not sized to fit reduced depth cabinets
- Minimum filler width of 4 1/2" recommended for installation of this accessory next to deeper adjacent objects including cabinets, walls, appliances, and countertops

PCSK36

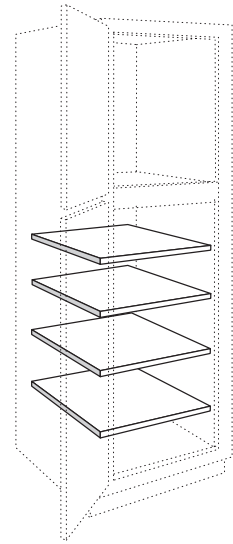
Cabinet Tray Divider



- Field installation accessory
- Chrome finish
- Mounting hardware included
- Overall dimensions: 2 7/8" wide x 9 15/16" high x 11 3/4" deep
- Order Cabinet Tray Dividers individually
- For use in 24" deep cabinets or cabinets with RD-23 through RD-14

TD3

Adjustable Shelves



- Field installation accessory
- ¾" engineered wood
- Edge banded on front edge only
- CLIP LOCK shelf rests included

APC
MI
RD

ADJUSTABLE SHELF

12" Deep

S1212
S1512
S1812
S2412
S3612

24" Deep

S1224
S1524
S1824
S2424
S2724
S3024
S3324
S3624

4 PACK SHELF KIT

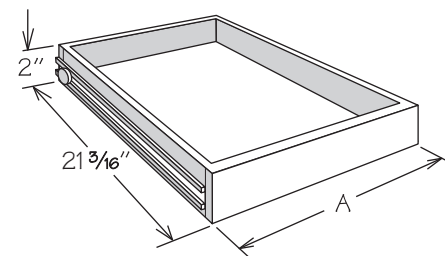
12" Deep

SK1212
SK1512
SK1812
SK2412
SK3612

24" Deep

SK1224
SK1524
SK1824
SK2424
SK2724
SK3024
SK3324
SK3624

Sliding Shelves and Sliding Shelf Kits



- Field installation accessory
- Engineered wood drawer with solid hardwood front, MDF bottom, and side-mounted drawer glides
- Includes sliding shelf, all glide hardware, and instructions

CCSS
FASS
RD

OVEN SIZE

SSK24
SSK27
SSK30

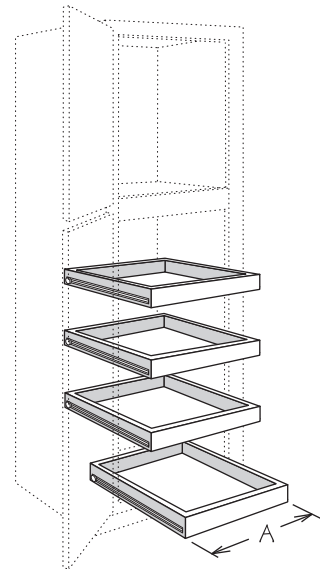
OVS27
OVS30
OVS33

SLIDING SHELF KIT

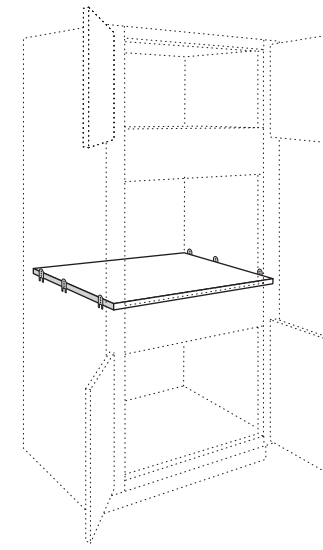
SSK	A
SSK12	8 ½"
SSK15	11 ½"
SSK18	14 ½"
SSK24	20 ½"
SSK27	23 ½"
SSK30	26 ½"
SSK36	32 ½"

4 PACK SLIDING SHELF KIT

USS	A
USS12-4K	8 ½"
USS15-4K	11 ½"
USS18-4K	14 ½"
USS24-4K	20 ½"
USS30-4K	26 ½"
USS36-4K	32 ½"



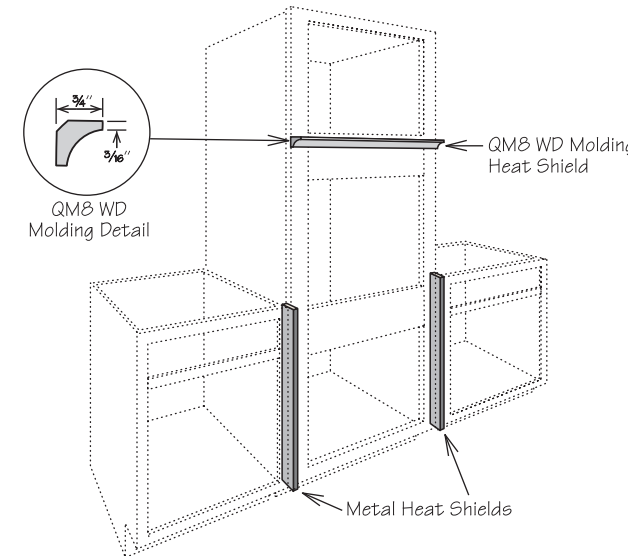
Oven Support Shelf



- Features ¾" unfinished engineered wood shelf and six mounting clips with screws
- Will support up to 300 lbs when installed per included installation instructions
- Refer to appliance manufacturer's specifications for adequate clearances and required installation materials

OSS27
OSS30
OSS33

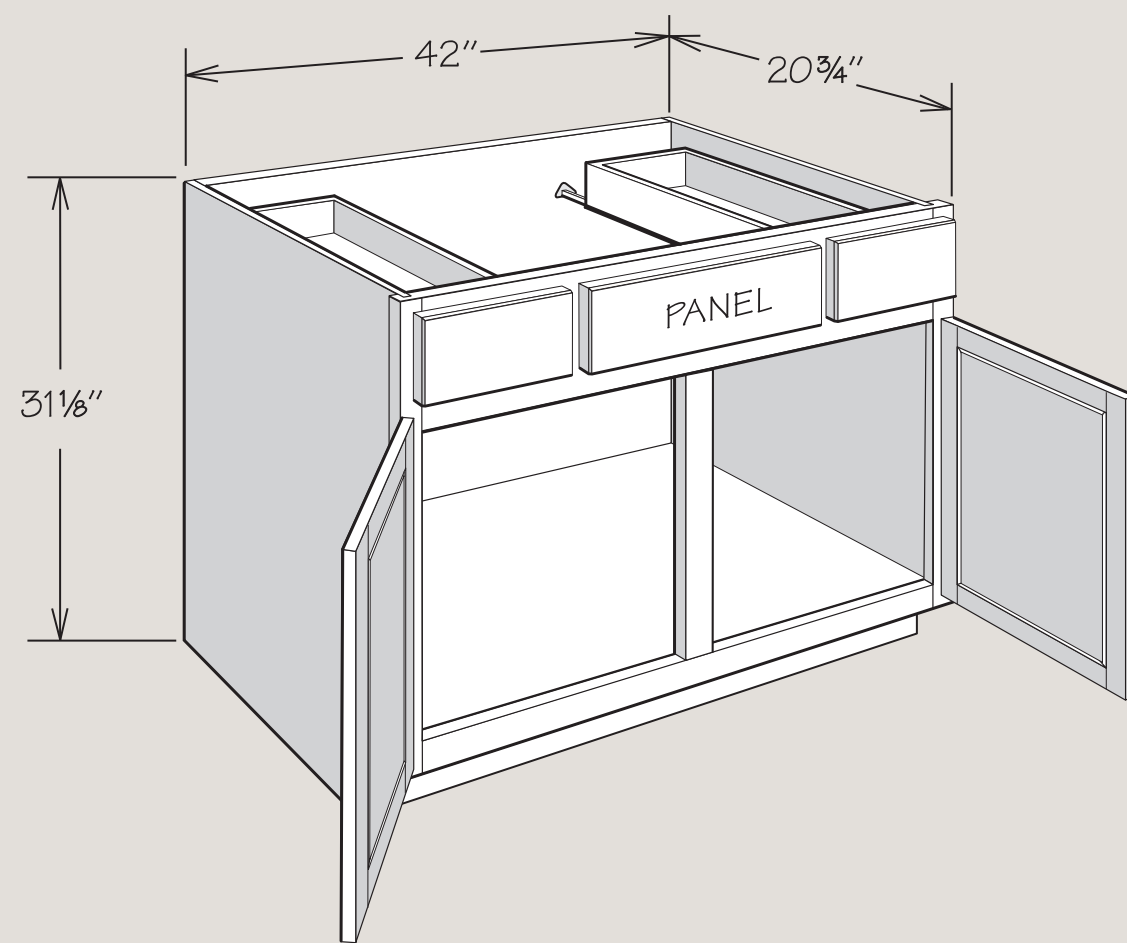
Heat Shield Kit



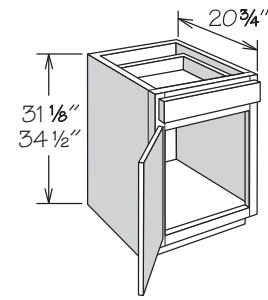
- Field installation accessory
- Recommended for Duraform Lausanne (excluding Espresso) and Cumberland Thermofoil door styles
- Protects doors and drawer fronts from adjacent heat source (built-in ovens, under counter ovens, drop-in or free-standing ranges)
- Kit features: Two ¼" metal heat shields finished to match cabinet box exterior and one strip of QM8 WD finished to match cabinet box exterior

HSK

VANITY CABINETS



Vanity Base + 1 Door



- No shelf
- Door is hinged left and can be reversed in the field

APC
CCH
CCDW
CFO
FADW
FE
PE
RD
RTK

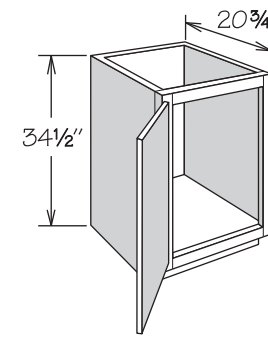
34 1/2" HIGH

VB1234H
VB1534H
VB1834H
VB2134H

31 1/8" HIGH

VB12
VB15
VB18
VB21

Vanity Full-Height Base + 1 Door



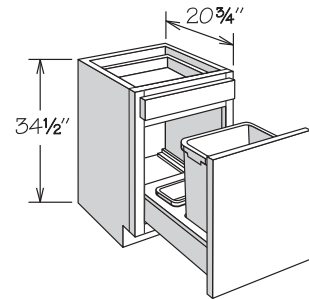
- Full-height door
- No shelf
- Door is hinged left and can be reversed in the field

APC
CCH
CFO
FE
PE
RD
RTK

34 1/2" HIGH

VB1234H FH
VB1534H FH
VB1834H FH
VB2134H FH

Vanity Base Cabinet + 1 Drawer and 1 Door with Wastebasket Pull-Out



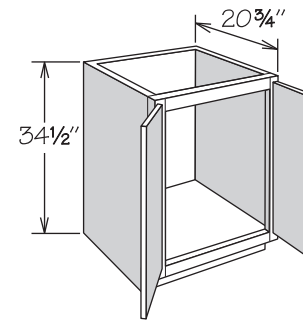
- Wastebasket rests in a natural maple plywood frame
- Wastebasket pull-out features heavy-duty, full-extension, 132-pound rated glides
- Upgraded drawer options apply to top drawer and wastebasket pull-out
- Features one silver plastic 35-quart capacity bin and bag storage tray at rear (not dishwasher safe)
- Decorative hardware strongly recommended

APC
CCDW
FADW
FE
PE
RTK

34 1/2" HIGH

VWBB1834H

Vanity Full-Height Base + 2 Butt Doors



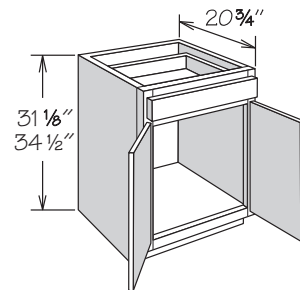
- Full-height doors
- No shelf

APC
CCH
CFO
FE
PE
RD
RTK

34 1/2" HIGH

VB2434H BUTT FH
VB3034H BUTT FH
VB3634H BUTT FH

Vanity Base + 2 Butt Doors and 1 Drawer



- No shelf

APC
CCH
CCDW
CFO
FADW
FE
PE
RD
RTK

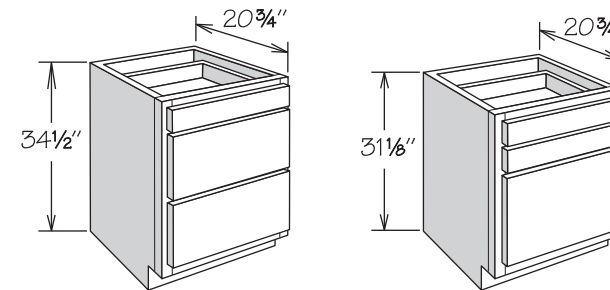
34 1/2" HIGH

VB2434H BUTT
VB2734H BUTT
VB3034H BUTT
VB3334H BUTT
VB3634H BUTT

31 1/8" HIGH

VB24 BUTT
VB27 BUTT
VB30 BUTT
VB33 BUTT
VB36 BUTT

Vanity Drawer Base



- VDB_34H features one standard and two large drawers
- VDB_ features one large and two standard drawers

APC
CCDW
CFO
FADW
FE
PE
RD
RTK

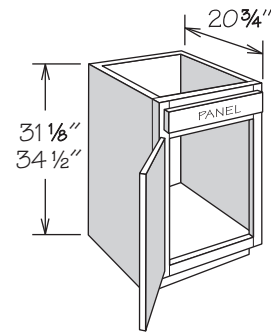
34 1/2" HIGH

VDB1234H
VDB1534H
VDB1834H
VDB2134H
VDB2434H

31 1/8" HIGH

VDB12
VDB15
VDB18
VDB21
VDB24

Vanity Sink Base + 1 Door



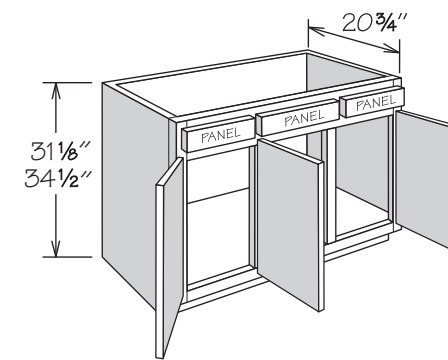
- No shelf
- Subtract 1 1/2" from depth and width for available sink bowl opening

APC
CCH
CFO
FE
PE
RD
RTK

34 1/2" HIGH
 VSB1534H
 VSB1834H
 VSB2134H

31 1/8" HIGH
 VSB15
 VSB18
 VSB21

Vanity Sink Base + 3 Doors



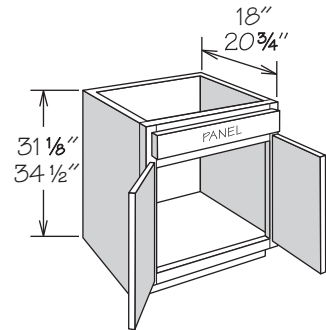
- No shelf
- Subtract 1 1/2" from depth and width for available sink bowl opening
- Hinged as shown - can be reversed in the field

APC
CCH
CFO
FE
PE
RD
RTK

34 1/2" HIGH
 VSB4834H

31 1/8" HIGH
 VSB48

Vanity Sink Base + 2 Butt Doors



- No shelf
- Subtract 1 1/2" from depth and width for available sink bowl opening

APC
CCH
CFO
FE
PE
RD
RTK

34 1/2" HIGH

20 3/4" Deep

VSB2434H BUTT
 VSB2734H BUTT
 VSB3034H BUTT
 VSB3334H BUTT
 VSB3634H BUTT

18" Deep

VSB241834H BUTT
 VSB301834H BUTT
 VSB361834H BUTT

31 1/8" HIGH

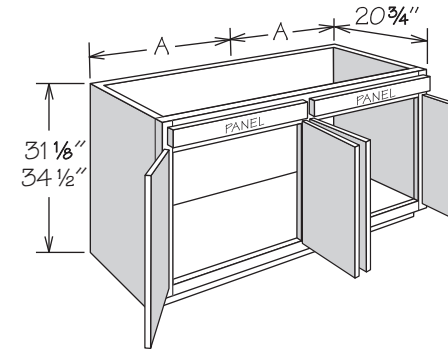
20 3/4" Deep

VSB24 BUTT
 VSB27 BUTT
 VSB30 BUTT
 VSB33 BUTT
 VSB36 BUTT

18" Deep

VSB2418 BUTT
 VSB3018 BUTT
 VSB3618 BUTT

Vanity Sink Base + 4 Butt Doors



- No shelf
- Subtract 1 1/2" from depth and each dimension A for available sink bowl openings

APC
CCH
CFO
FE
PE
RD
RTK

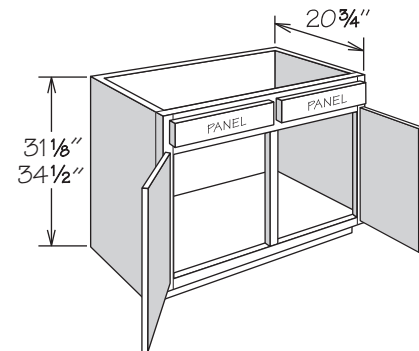
34 1/2" HIGH
 VSB5434H BUTT
 VSB6034H BUTT

A
 27"
 30"

31 1/8" HIGH
 VSB54 BUTT
 VSB60 BUTT

A
 27"
 30"

Vanity Sink Base + 2 Doors NEW | SIZES



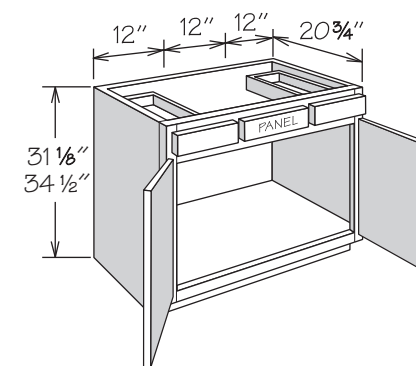
- No shelf
- Subtract 1 1/2" from depth and width for available sink bowl opening

APC
CCH
CFO
FE
PE
RD
RTK

34 1/2" HIGH
VSB3934H
 VSB4234H

31 1/8" HIGH
VSB39
 VSB42

Vanity Sink Base + 2 Butt Doors and 2 Drawers



- No shelf
- Top drawer on each side of sink bowl opening
- Subtract 1 1/2" from depth for available sink bowl opening
- Features two DRB9_ to accommodate sink bowl opening up to 18"

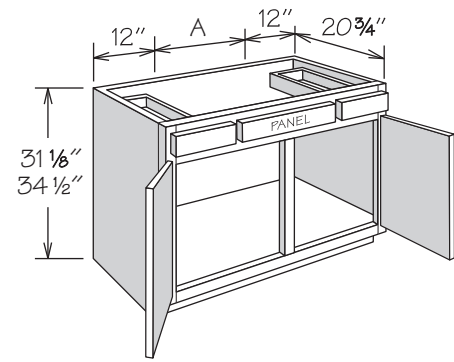
APC
CCH
CCDW
CFO
FADW
FE
PE
RD
RTK

34 1/2" HIGH
 VAN3634H BUTT

31 1/8" HIGH
 VAN36 BUTT

Vanity Sink Base + 2 Doors and 2 Drawers

NEW | SIZES

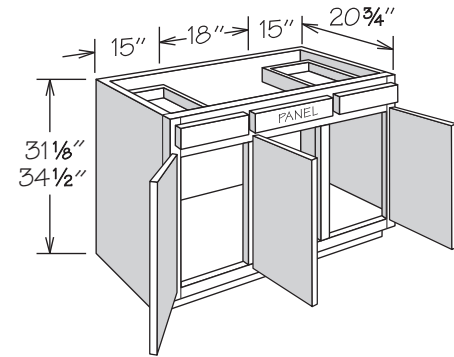


- No shelf
- Top drawer on each side of sink bowl opening
- Subtract 1 1/2" from depth for available sink bowl opening

APC
CCH
CCDW
CFO
FADW
FE
PE
RD
RTK

34 1/2" HIGH	A	MAX. SINK OPENING	31 1/8" HIGH	A	MAX. SINK OPENING
VAN3934H	15"	18"	VAN39	15"	18"
VAN4234H	18"	21"	VAN42	18"	21"

Vanity Sink Base + 3 Doors and 2 Drawers

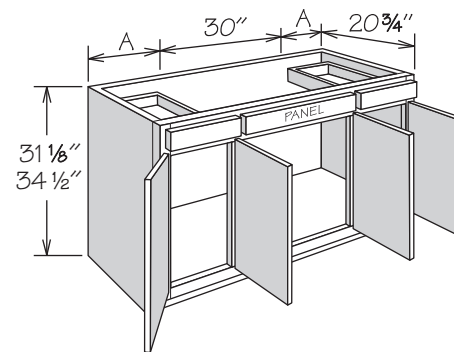


- No shelf
- Top drawer on each side of sink bowl opening
- Subtract 1 1/2" from depth for available sink bowl opening
- Hinged as shown - can be reversed in the field
- Maximum sink bowl opening is 21" wide

APC
CCH
CCDW
CFO
FADW
FE
PE
RD
RTK

34 1/2" HIGH	31 1/8" HIGH
VAN4834H	VAN48

Vanity Sink Base + 4 Butt Doors and 2 Drawers



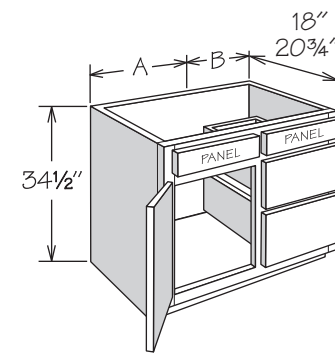
- No shelf
- Top drawer on each side of sink bowl opening
- Subtract 1 1/2" from depth for available sink bowl opening
- Maximum sink bowl opening is 33" wide

APC
CCH
CCDW
CFO
FADW
FE
PE
RD
RTK

34 1/2" HIGH	A	31 1/8" HIGH	A
VAN5434H BK BUTT	12"	VAN54 BK BUTT	12"
VAN6034H BK BUTT	15"	VAN60 BK BUTT	15"

Vanity Combo Sink Base + 1 Door and 2 Drawers

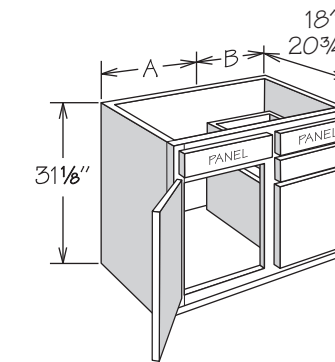
NEW | SIZE



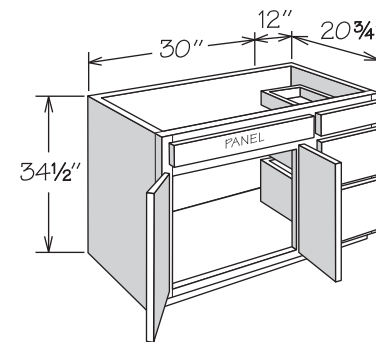
- No shelf
- Allow for plumbing placement to clear drawers
- Drawers available on right or left side (please specify)
- Cabinet shown is right indicating drawers on the right side of the cabinet
- Subtract 1 1/2" from depth and overall cabinet width for available sink bowl opening

APC
CCH
CCDW
CFO
FADW
FE
PE
RD
RTK

34 1/2" HIGH	A	B	31 1/8" HIGH	A	B
20 3/4" Deep			20 3/4" Deep		
VSDB2434H BK	12"	12"	VSDB24 BK	12"	12"
VSDB2734H BK	15"	12"	VSDB27 BK	15"	12"
VSDB3034H BK	18"	12"	VSDB30 BK	18"	12"
VSDB3334H BK	21"	12"	VSDB33 BK	21"	12"
VSDB3634H BK	21"	15"	VSDB36 BK	21"	15"
VSDB3934H BK	21"	18"			
18" Deep			18" Deep		
VSDB241834H BK	12"	12"	VSDB2418 BK	12"	12"
VSDB271834H BK	15"	12"	VSDB2718 BK	15"	12"
VSDB301834H BK	18"	12"	VSDB3018 BK	18"	12"
VSDB331834H BK	21"	12"	VSDB3318 BK	21"	12"
VSDB361834H BK	21"	15"	VSDB3618 BK	21"	15"



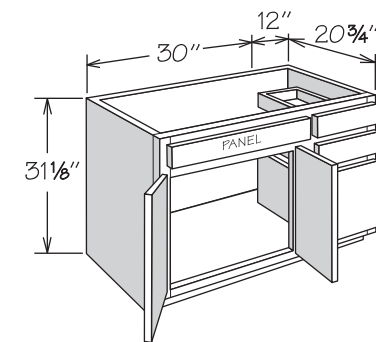
Vanity Combo Sink Base + 2 Butt Doors and 3 Drawers



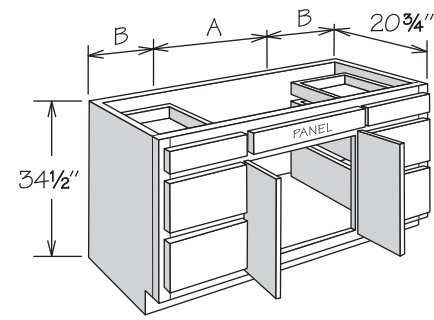
- No shelf
- Drawers available on right or left side (please specify)
- Cabinet shown is right indicating drawers on the right side of the cabinet
- Maximum sink bowl opening is 28 1/2" wide
- Requires off center sink bowl opening

APC
CCH
CCDW
CFO
FADW
FE
PE
RD
RTK

34 1/2" HIGH	31 1/8" HIGH
VSDB4234H BK BUTT	VSDB42 BK BUTT



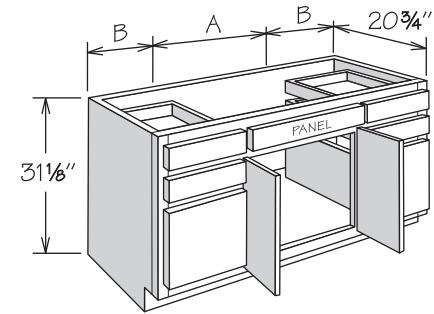
Vanity Combo Sink Base + 2 Butt Doors and 6 Drawers



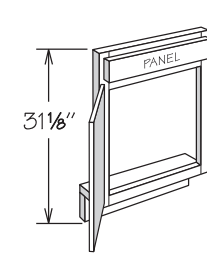
- No shelf
- Subtract 1 1/2" from depth and dimension A for available sink bowl opening

APC
CCH
CCDW
CFO
FADW
FE
PE
RD
RTK

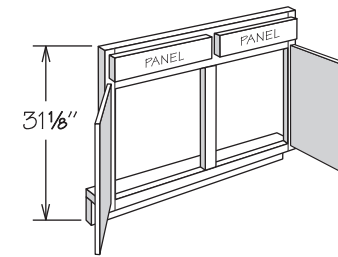
34 1/2" HIGH	A	B	31 1/8" HIGH	A	B
VSDB4834HD BK BUTT	24"	12"	VSDB48D BK BUTT	24"	12"
VSDB5434HD BK BUTT	24"	15"	VSDB54D BK BUTT	24"	15"
VSDB6034HD BK BUTT	30"	15"	VSDB60D BK BUTT	30"	15"



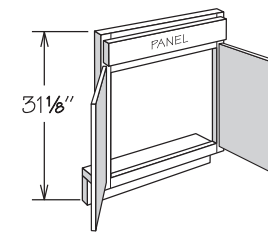
Vanity Sink Front NEW | SIZE



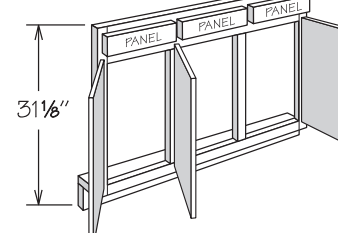
1 DOOR



2 DOORS



2 BUTT DOORS



3 DOORS

- Not trimmable
- Order floor and returns separately (field trimming may be required) - refer to Panel Section for availability (page 180)
- VSF48 hinged as shown, can be reversed in field

CCH

31 1/8" HIGH

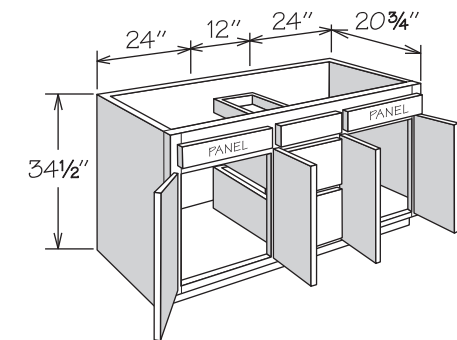
1 Door
VSF21

2 Butt Doors
VSF24 BUTT
VSF30 BUTT
VSF36 BUTT

2 Doors
VSF39
VSF42

3 Doors
VSF48

Vanity Combo Sink Base + 4 Butt Doors and 3 Drawers

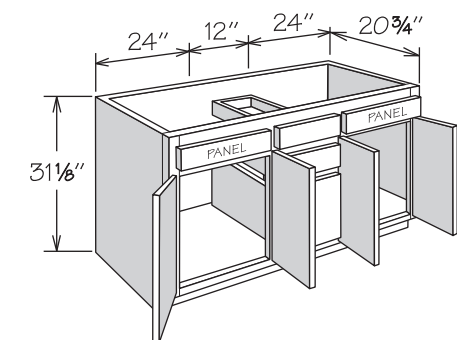


- No shelf
- Subtract 1 1/2" from depth and each 24" dimension for available sink bowl openings

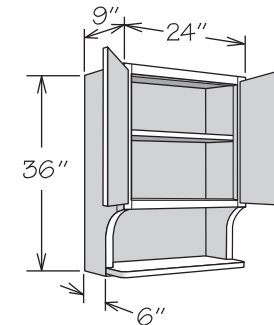
APC
CCH
CCDW
CFO
FADW
FE
PE
RD
RTK

34 1/2" HIGH
VSDB6034HC BK BUTT

31 1/8" HIGH
VSDB60C BK BUTT



Valet Cabinet + 2 Butt Doors

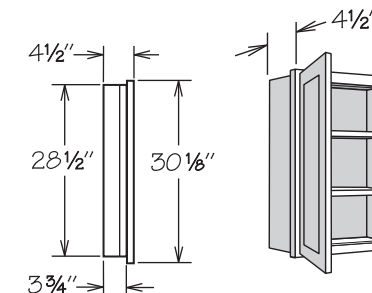


- Matching interior standard
- Flush sides with no face frame or 1/4" reveals
- Bottom opening: 22 1/2" x 10 7/8"
- Features a fixed shelf
- Sides and bottom shelf feature 3/4" engineered wood veneered on both sides

CCH

36" HIGH
VC2436 BUTT

Medicine Cabinet + 1 Door



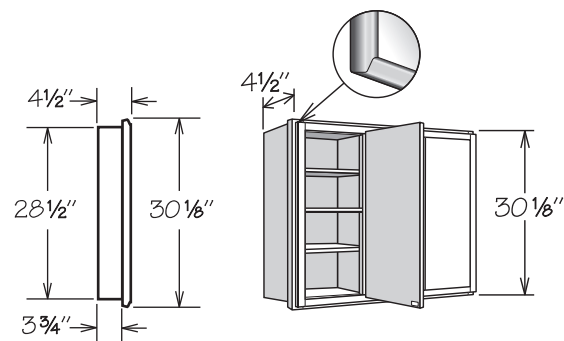
- Two adjustable engineered wood shelves
- Surface or recess mount
- MCM1530 features a mirrored door
- For surface mount installation of wood door styles, trim and apply WEP30 (order separately) to match finish on exterior sides to cabinet frame
- Features Matching Interior standard for Linen and Thermofoil White

28 1/2" HIGH

MC1530
MCM1530

	RECESS MOUNT CUTOUT WIDTH	RECESS MOUNT CUTOUT HEIGHT
MC1530	14 1/2"	28 1/2"
MCM1530	14 1/2"	28 1/2"

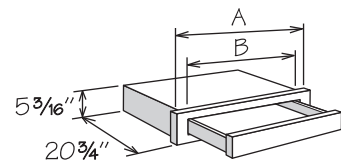
Tri-View Mirror + 3 Doors



- All three mirrored doors swing open for easy access to the six adjustable shelves
- Surface or recess mount
- For surface mount installation of wood door styles, trim and apply WEP30 (order separately) to match finish on exterior sides to cabinet frame
- Chrome hardware
- Features Matching Interior standard on Painted/ Duraform Linen and Thermofoil White

	OVERALL WIDTH	OVERALL HEIGHT	RECESS MOUNT CUTOUT WIDTH	RECESS MOUNT CUTOUT HEIGHT
TV3030	30"	30 1/8"	28 1/2"	28 1/2"
TV3630	36"	30 1/8"	34 1/2"	28 1/2"

Kneehole Drawer Cabinet

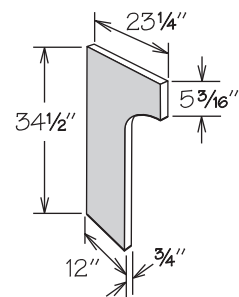


- Designed for desk or vanity application
- Field trimmable in height to 4 3/4"
- Field trimmable in depth to 18" or available with RD-20 through RD-12

CCDW
FADW
RD

	A	B	MAX. TRIM
KDC27/21	27"	17 3/4"	21" (3" each side)
KDC33/27	33"	23 3/4"	27" (3" each side)
KDC36/33	36"	29 3/4"	33" (1 1/2" each side)

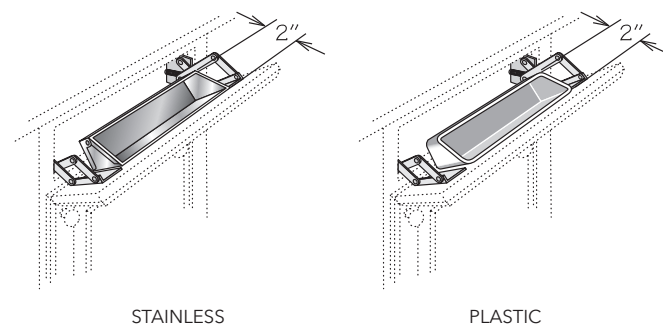
Desk End Panel



- All door styles feature 3/4" veneered engineered wood finished to match cabinet box exterior on both sides
- Recommend QM8 WD be ordered for installation to ensure proper attachment to wall
- Field trimmable

34 1/2" HIGH
DEP

Tilt-Out Tray Kit

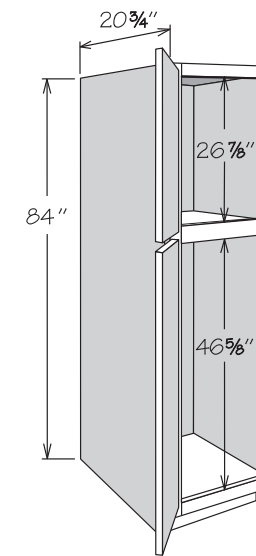


- Field installation accessory
- Kit features tray and one pair of scissor hinges
- For use on existing drawer panels
- STO and TO TRAY 11:
 - » Order one unit for VSB18, VSB48 (center only), VAN48 or VSDB30 (above door only)
 - » Order two units for VSB33 or VSB36
- STO and TO TRAY 14:
 - » Order one unit for VSB21, VSB24, VSB27, VSDB33 (above door only), VSDB36 (above door only), VSDB48D or VSDB54D
 - » Order two units for VSB42, VSB54 or VSDB60C
- STO and TO TRAY 22:
 - » Order one unit for VSB30, VAN54, VAN60, VSDB42 or VSDB60D
 - » Order two units for VSB60
- Sink front, base height, and 18" deep units match vanity sink base sizes as noted above
- Tilt-Out Trays are NOT dishwasher safe

STAINLESS
STO TRAY 11
STO TRAY 14
STO TRAY 22

PLASTIC
TO TRAY 11
TO TRAY 14
TO TRAY 22

Vanity Linen Cabinet + 2 Doors



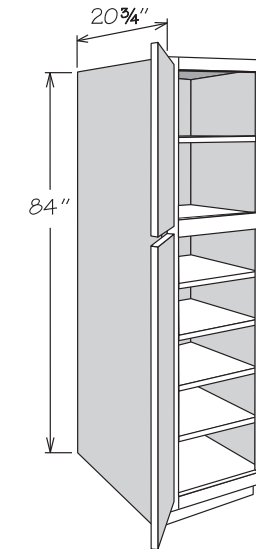
- Shelving and optional interior accessories may be ordered separately (refer to vanity linen cabinet accessories for details)
- Cabinet backs are pre-drilled to accept up to four sliding shelves in lower section
- Must be ordered hinged left or right
- Specialty Door cabinets (SD) feature Matching Interior standard and require a specialty door selection
- Bottom doors will have a center rail except for Charleston, Kinsdale, Lausanne, Maddox and all Duraform and Thermofoil door styles

APC
CCH
CFO
FE
MI
PE
RD

84" HIGH

VLC122184	VLC122184 SD
VLC152184	VLC152184 SD
VLC182184	VLC182184 SD

Vanity Linen Cabinet + 2 Doors and Adjustable Shelves



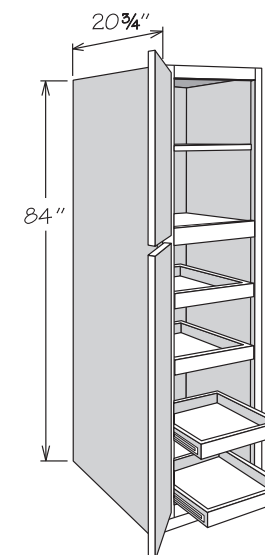
- Features one full-depth adjustable shelf in top section and four full-depth adjustable shelves in lower section
- Full-depth adjustable shelves are 3/4" engineered wood and edge banded on front edge only
- All shelving packaged separately
- Must be ordered hinged left or right
- Specialty Door cabinets (SD) feature Matching Interior standard and require a specialty door selection
- Bottom doors will have a center rail except for Charleston, Kinsdale, Lausanne, Maddox and all Duraform and Thermofoil door styles

APC
CCH
FE
MI
PE
RD

84" HIGH

VLC122184 AS	VLC122184 AS SD
VLC152184 AS	VLC152184 AS SD
VLC182184 AS	VLC182184 AS SD

Vanity Linen Cabinet + 2 Doors and Sliding Shelves



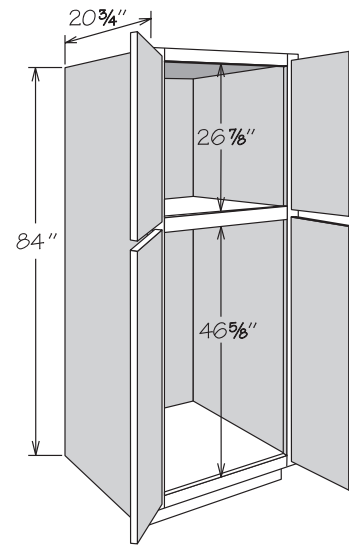
- Features one full-depth adjustable shelf in top section and four sliding shelves in lower section
- Full-depth adjustable shelf is 3/4" engineered wood and edge banded on front edge only
- Adjustable shelf and sliding shelves packaged separately
- Engineered wood sliding shelves included for all construction types
- Must be ordered hinged left or right
- Specialty Door cabinets (SD) feature Matching Interior standard and require a specialty door selection
- Bottom doors will have a center rail except for Charleston, Kinsdale, Lausanne, Maddox and all Duraform and Thermofoil door styles

APC
CCH
CCSS
FASS
FE
MI
PE
RD

84" HIGH

VLC122184 4SSK	VLC122184 4SSK SD
VLC152184 4SSK	VLC152184 4SSK SD
VLC182184 4SSK	VLC182184 4SSK SD

Vanity Linen Cabinet + 4 Butt Doors

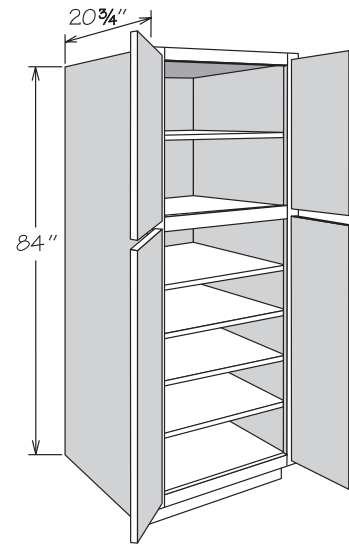


- Shelving and optional interior accessories may be ordered separately (refer to vanity linen cabinet accessories for details)
- Cabinet backs are pre-drilled to accept up to four sliding shelves in lower section
- Specialty Door cabinets (SD) feature Matching Interior standard and require a specialty door selection
- Bottom doors will have a center rail except for Charleston, Kinsdale, Lausanne, Maddox and all Duraform and Thermofoil door styles

APC
CCH
CFO
FE
MI
PE
RD

84" HIGH
VLC242184 BUTT ■
VLC242184 BUTT SD

Vanity Linen Cabinet + 4 Butt Doors and Adjustable Shelves

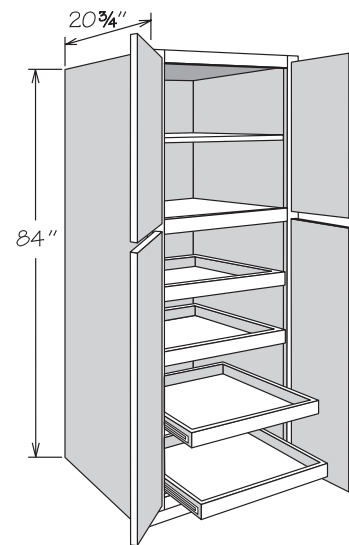


- Features one full-depth adjustable shelf in top section and four full-depth adjustable shelves in lower section
- Full-depth adjustable shelves are 3/4" engineered wood and edge banded on front edge only
- All shelving packaged separately
- Specialty Door cabinets (SD) feature Matching Interior standard and require a specialty door selection
- Bottom doors will have a center rail except for Charleston, Kinsdale, Lausanne, Maddox and all Duraform and Thermofoil door styles

APC
CCH
FE
MI
PE
RD

84" HIGH
VLC242184 AS BUTT ■
VLC242184 AS BUTT SD

Vanity Linen Cabinet + 4 Butt Doors and Sliding Shelves

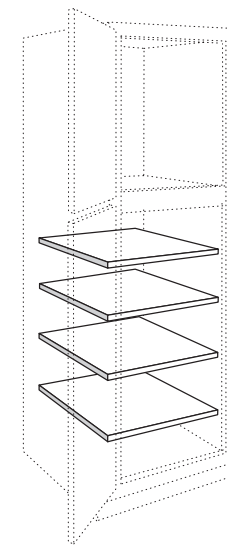


- Features one full-depth adjustable shelf in top section and four sliding shelves in lower section
- Full-depth adjustable shelf is 3/4" engineered wood and edge banded on front edge only
- Adjustable shelf and sliding shelves packaged separately
- Engineered wood sliding shelves with solid hardwood front, MDF bottom, and side-mounted drawer glides
- Specialty Door cabinets (SD) feature Matching Interior standard and require a specialty door selection
- Bottom doors will have a center rail except for Charleston, Kinsdale, Lausanne, Maddox and all Duraform and Thermofoil door styles

APC
CCH
CCSS
FASS
FE
MI
PE
RD

84" HIGH
VLC242184 4SSK BUTT ■
VLC242184 4SSK BUTT SD

Vanity Linen Cabinet + Adjustable Shelves



- Field installation accessory
- 3/4" engineered wood
- Edge banded on front edge only
- CLIP LOCK shelf rests included

APC
MI
RD

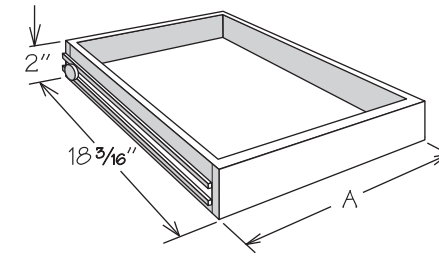
ADJUSTABLE SHELF

S1221
S1521
S1821
S2421

4 PACK SHELF KIT

SK1221
SK1521
SK1821
SK2421

Vanity Linen Cabinet + Sliding Shelves



- Field installation accessory
- Engineered wood sliding shelves with solid hardwood front, MDF bottom, and side-mounted drawer glides
- Includes sliding shelf, all glide hardware, and instructions

CCSS
FASS
RD

SLIDING SHELF KIT

SSK1221
SSK1521
SSK1821
SSK2121
SSK2421

A

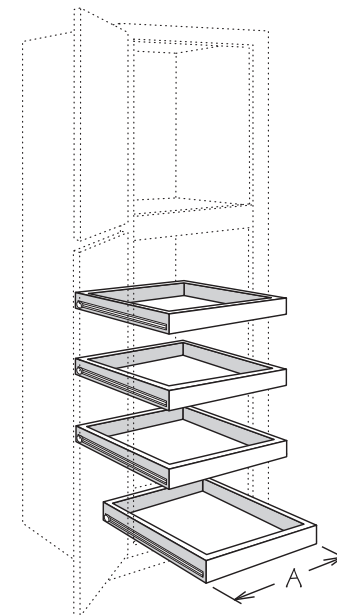
8 1/2"
11 1/2"
14 1/2"
17 1/2"
20 1/2"

4 PACK SLIDING SHELF KIT

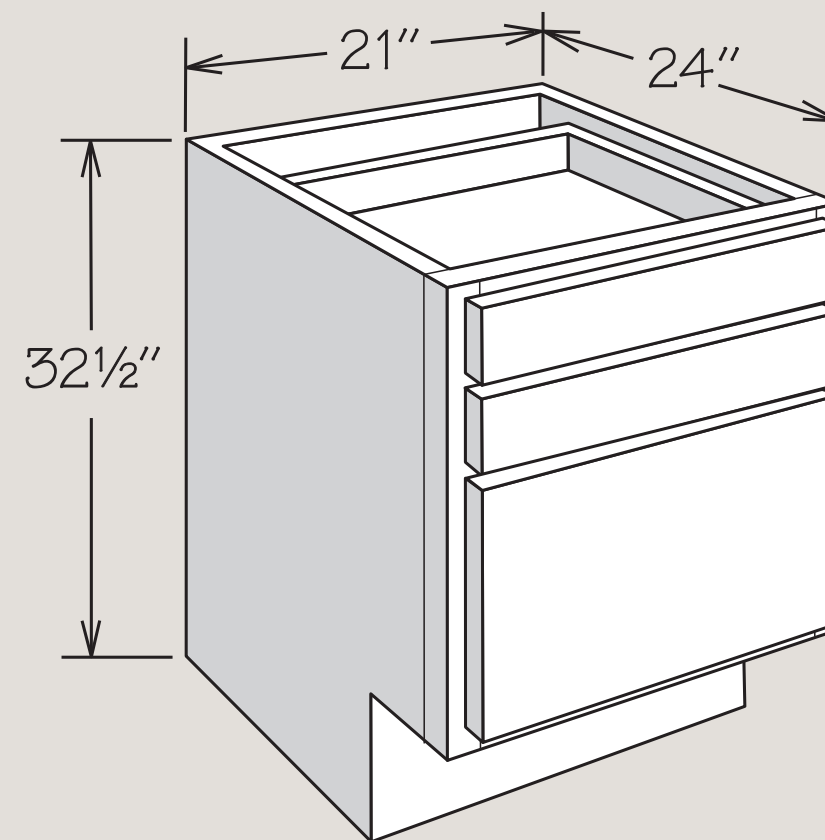
USS1221-4K
USS1521-4K
USS1821-4K
USS2421-4K

A

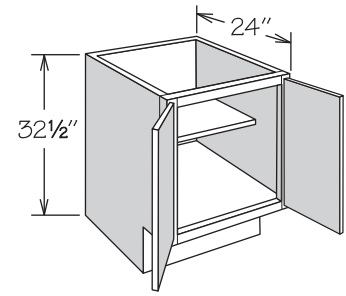
8 1/2"
11 1/2"
14 1/2"
20 1/2"



UNIVERSAL DESIGN CABINETS



Universal Design Base Cabinet + 1 Adjustable Shelf NEW | OPTION



2 BUTT DOORS

- 3/4" half-depth adjustable shelf
- Center support for shelf provided for cabinets 30" or wider

APC
CCH
CFO
FE
FDS
PE
RD
RTK

2 BUTT DOORS

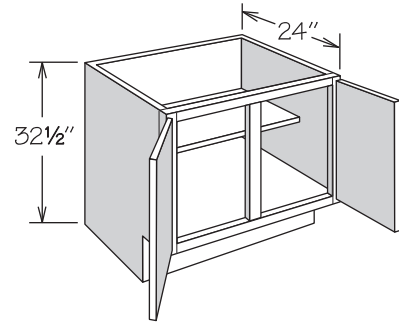
B24 UD BUTT
B27 UD BUTT
B30 UD BUTT
B33 UD BUTT
B36 UD BUTT

2 DOORS

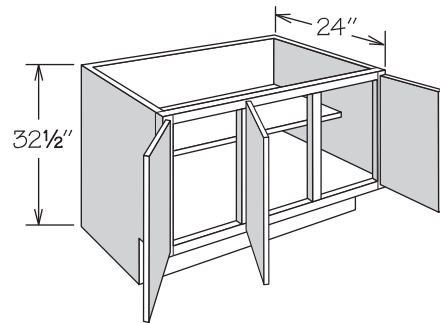
B39 UD
B42 UD

3 DOORS

B45 UD

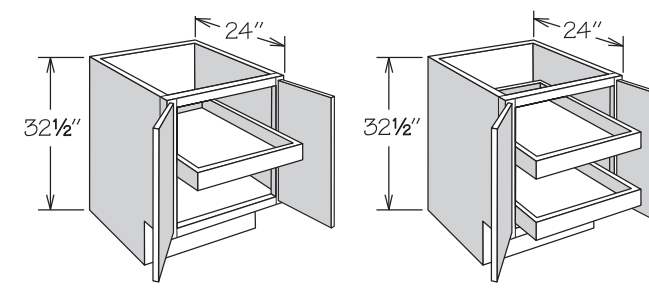


2 DOORS



3 DOORS

Universal Design Base Cabinet + 2 Butt Doors and Sliding Shelves



1 SLIDING SHELF

2 SLIDING SHELVES

- Sliding shelves are not adjustable
- Engineered wood sliding shelves with solid hardwood front, MDF bottom, and side-mounted drawer glides

APC
CCH
CCSS
FASS
FE
PE
RD
RTK

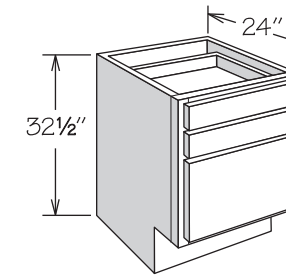
1 SLIDING SHELF

B24 SS1 UD BUTT

2 SLIDING SHELVES

B24 SS2 UD BUTT

Universal Design Drawer Base Cabinet + 3 Drawers



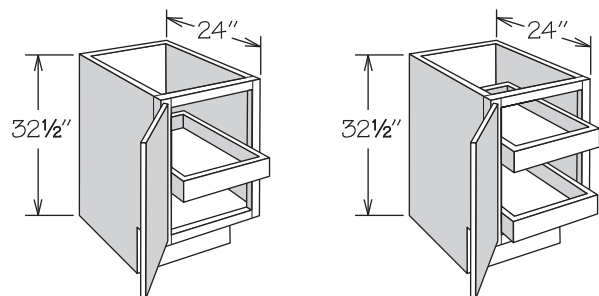
- One large and two standard drawers
- Recessed Toe Kick Both Option (RTKB) not available for the DB12 UD and DB15 UD

APC
CCDW
CFO
FADW
FE
PE
RD
RTK

3 DRAWERS

DB12 UD
DB15 UD
DB18 UD
DB21 UD
DB24 UD

Universal Design Base Cabinet + 1 Door and Sliding Shelves



1 SLIDING SHELF

2 SLIDING SHELVES

- Sliding shelves are not adjustable
- Engineered wood sliding shelf with solid hardwood front, MDF bottom, and side-mounted drawer glides
- Recessed Toe Kick Both Option (RTKB) not available for the B12 SS_ UD and B15 SS_ UD

APC
CCH
CCSS
FASS
FE
PE
RD
RTK

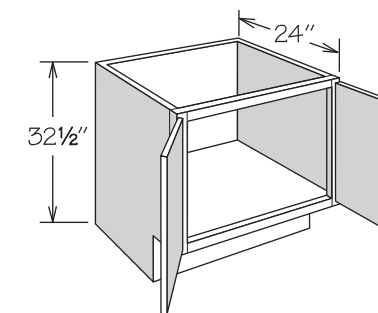
1 SLIDING SHELF

B12 SS1 UD
B15 SS1 UD
B18 SS1 UD
B21 SS1 UD

2 SLIDING SHELVES

B12 SS2 UD
B15 SS2 UD
B18 SS2 UD
B21 SS2 UD

Universal Design Sink Base Cabinet + 2 Butt Doors



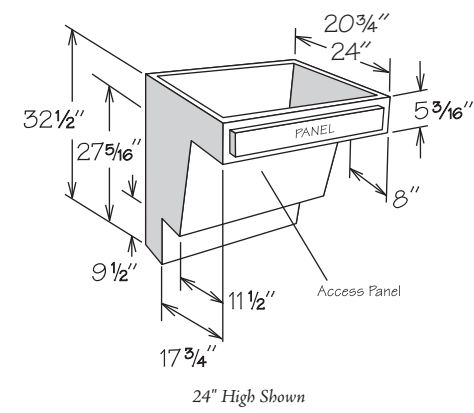
- No shelf
- Full-height back
- Subtract 1 1/2" from width and depth for available sink bowl opening
- Refer to sink manufacturer's specifications for adequate clearance and required installation materials

APC
CCH
CFO
FE
PE
RD
RTK

NO SHELF

SB30 BUTT UD
SB33 BUTT UD
SB36 BUTT UD

Universal Design Plumbing Skirt



- Features plywood sides standard
- Removable front access panel
- Subtract 1 1/2" from width and depth for available sink bowl opening
- Maximum available height inside cabinet for sink bowl is 5"
- Water lines, drains, and P-Trap must be installed at 6" maximum from wall
- Refer to sink manufacturer's specifications for adequate clearance and required installation materials
- Matching toe kick included - BTK8 UD not required

APC
FE

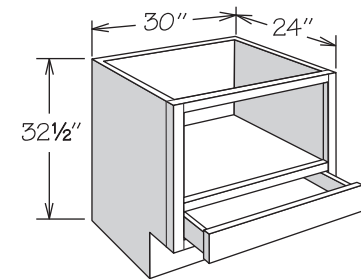
BASE PLUMBING SKIRT

BPS30 UD
BPS36 UD

VANITY PLUMBING SKIRT

VPS30 UD
VPS36 UD

Universal Design Base Multi-Use + 1 Drawer



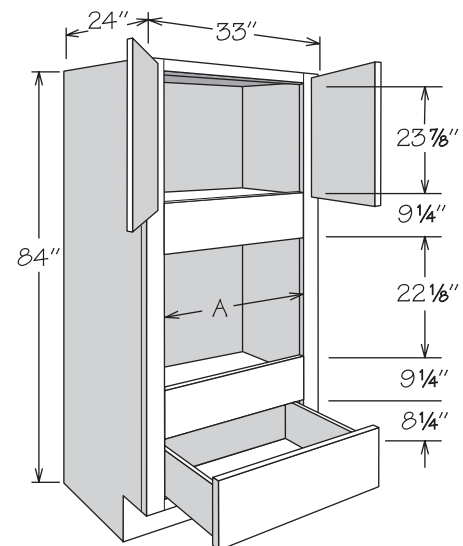
- Designed for mounting microwaves or small appliances below countertop
- Opening dimensions: 26 3/4" wide X 15 1/4" high
- Interior finished to match cabinet box exterior
- Accent molding recommended (order separately)
- Refer to appliance manufacturer's specifications for adequate clearances and required installation materials

APC
CCDW
FADW
FE
PE
RD
RTK

1 DRAWER

BMU30 UD

Universal Design Oven Cabinet

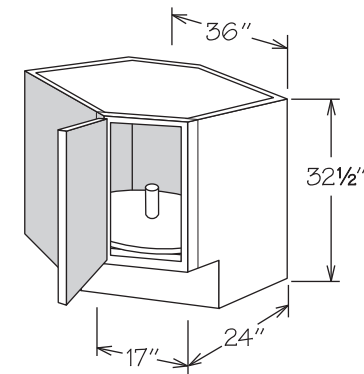


- Features a solid back
- 3/8" stiles
- Full overlay door styles feature face-mount hinges
- No shelf
- Refer to appliance manufacturer's specifications for adequate clearances and required installation materials

APC
CCH
CCDW
CFO
FADW
FE
PE
RD

	A ACTUAL	A MAX	B ACTUAL	B MAX
OVS3384 UD BUTT	26 3/4"	31"	22 1/8"	37 3/8"

Universal Design Corner Base Susan + Spin Unit

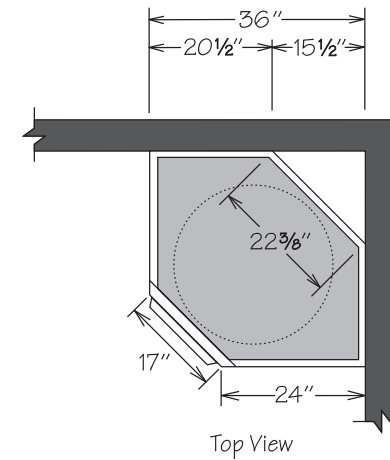


- Features one 28" diameter full round white spin shelf mounted on floor
- Sides are finished
- Cabinet requires a minimum of 34" to fit through doorway
- Additional space recommended if appliance is installed on the hinge side of this cabinet for proper door operation

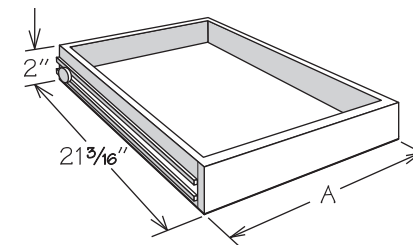
APC
CCH
FE
PE

1 SPIN SHELF

CBS36 UD



Sliding Shelf

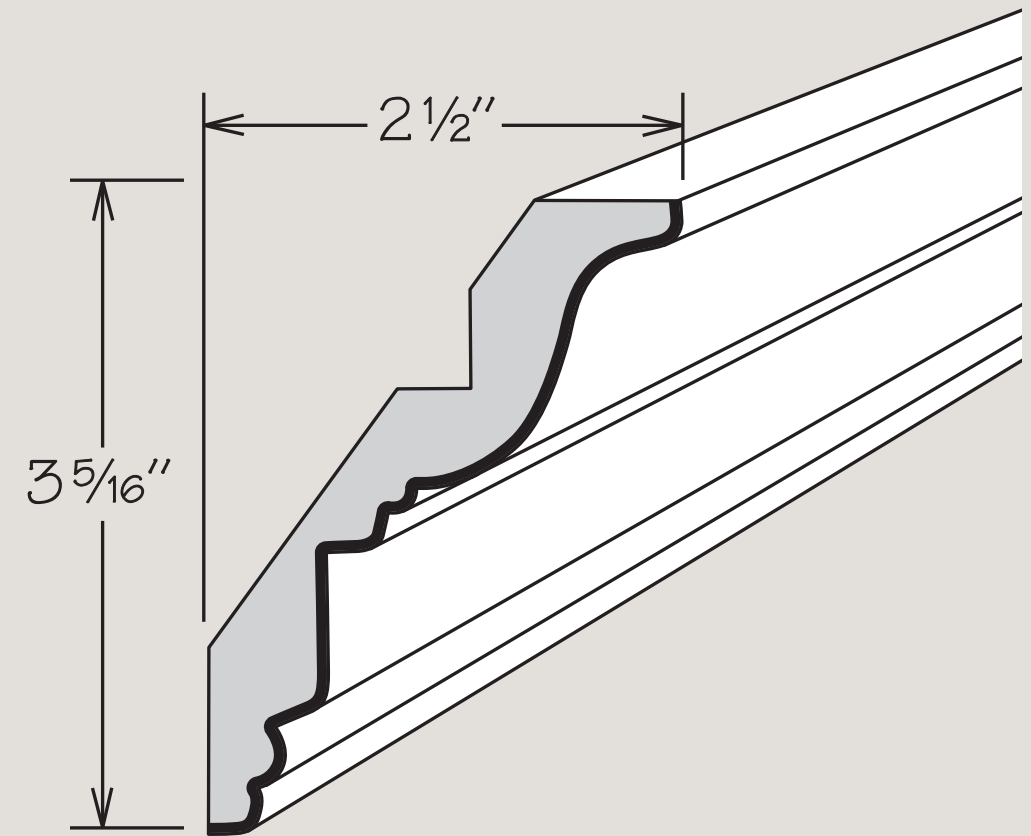


- Field installation accessory
- Engineered wood drawer with solid hardwood front, MDF bottom, and side-mounted drawer glides
- Includes sliding shelf, all glide hardware, and instructions
- SSK drill template is required for all double door cabinets that have fixed center stile - contact Customer Care for drill template

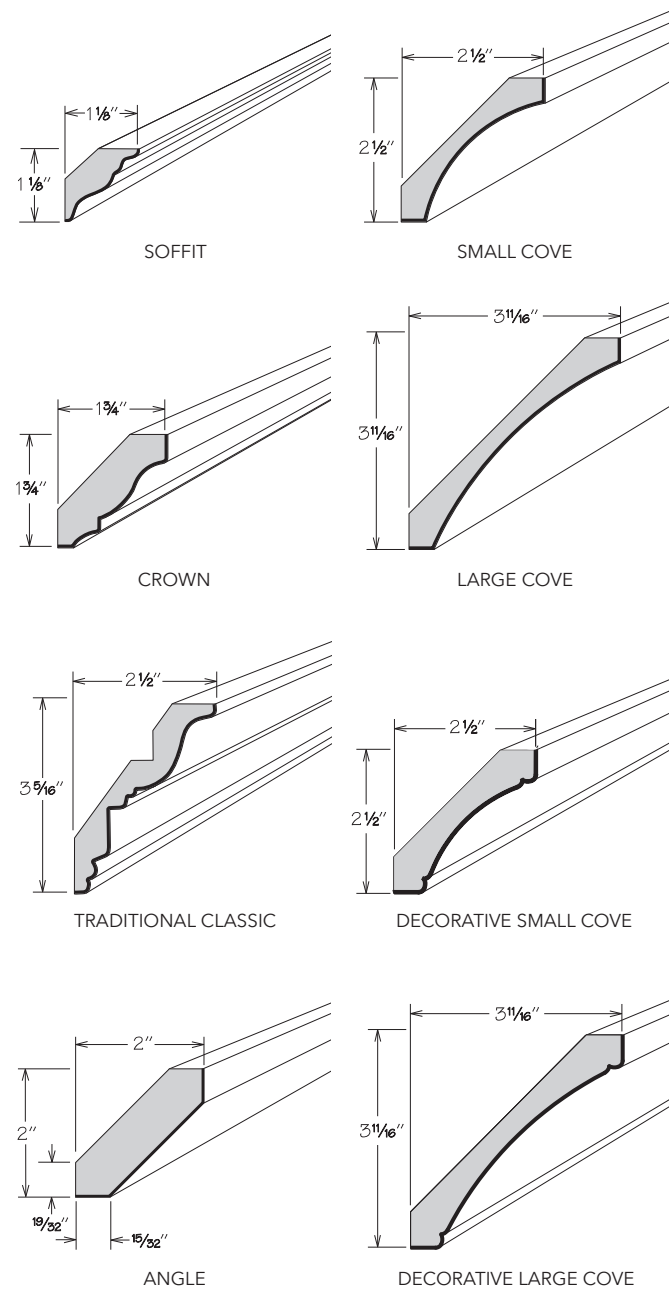
CCSS
FASS
RD

	A
SSK15	11 1/2"
SSK18	14 1/2"
SSK19	16"
SSK21	17 1/2"
SSK24	20 1/2"
SSK27	23 1/2"
SSK30	26 1/2"
SSK33	29 1/2"
SSK36	32 1/2"

MOLDING & TRIM



Crown Molding



- Wood and Painted door styles feature solid wood finished to match cabinet box exterior
- Duraform Breeze, Cascade, and Drift door styles:
 - » Feature Duraform textured wrapped MDF to match cabinet door for ACM8 DT, SCVM8 DT, and LCV8 DT
 - » Feature solid wood finished to match cabinet box exterior for SCM8 WD, CM8 WD, TCCM8 WD, ACM8, SCVM8, LCV8, DSCVM8, and DLCVM8
- Duraform Espresso, Linen, Silk, Stone, and Thermofoil door styles:
 - » Feature Duraform wrapped MDF for SCM8 WD, CM8 WD, TCCM8 WD, and ACM8
 - » Feature solid wood finished to match cabinet box exterior for SCVM8, LCV8, DSCVM8, and DLCVM8
- TCCM8 WD may use CBE8, DM8 WD, OGE8, RM8 WD, SBIM8, SIM8, TBE8, or TBIM8 as accent
- 8 feet long
- Bold line indicates finished surfaces

SOFFIT
SCM8 WD

SMALL COVE
SCVM8
SCVM8 DT

CROWN
CM8 WD

LARGE COVE
LCVM8
LCVM8 DT

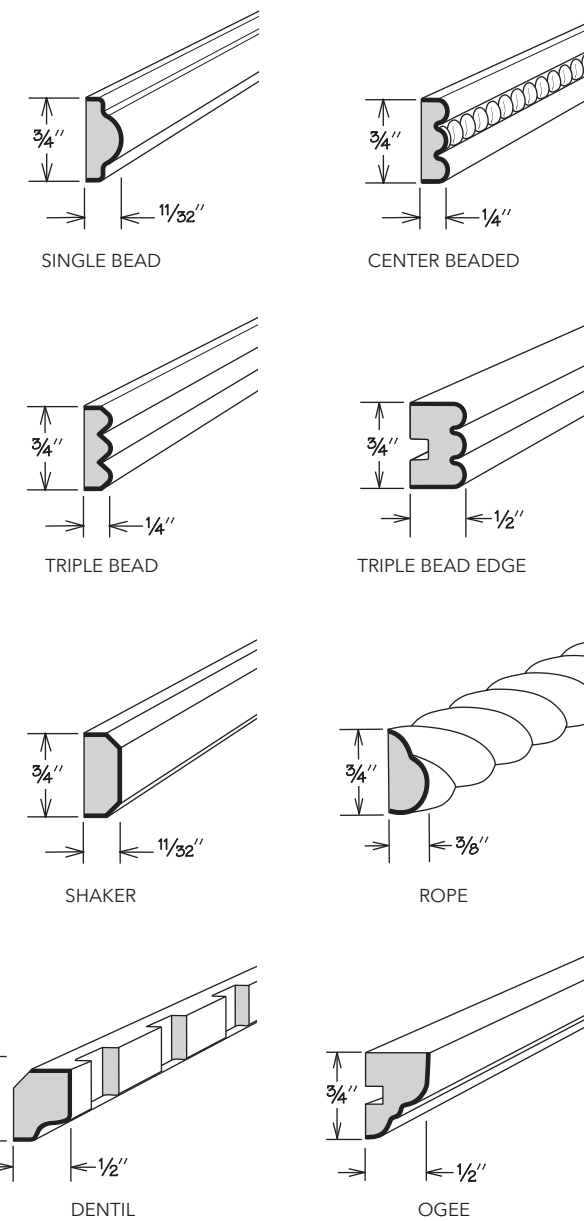
TRADITIONAL CLASSIC
TCCM8 WD

DECORATIVE SMALL COVE
DSCVM8

ANGLE
ACM8
ACM8 DT

DECORATIVE LARGE COVE
DLCVM8

Inset Molding



- All finishes feature solid wood finished to match cabinet box exterior
- CBE8, TBE8, SBIM8, TBIM8, and SIM8 may be used as accent on TCCM8 WD, SQILR8, and ILR8
- DM8 WD, OGE8, and RM8 WD may be used as accent on TCCM8 WD and ILR8
- 8 feet long
- Bold line indicates finished surfaces

SINGLE BEAD
SBIM8

CENTER BEADED
CBE8

TRIPLE BEAD
TBIM8

TRIPLE BEAD EDGE
TBE8

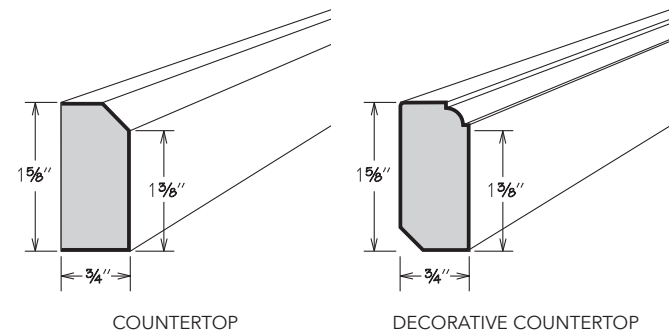
SHAKER
SIM8

ROPE
RM8 WD

DENTIL
DM8 WD

OGEE
OGE8

Edge Molding

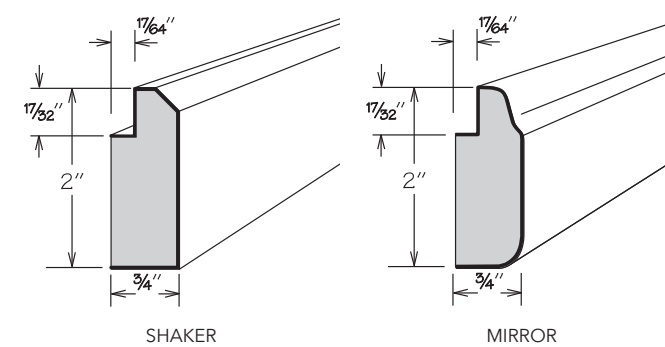


- All finishes (excluding Breeze, Cascade, and Drift) feature solid wood finished to match cabinet box exterior for CTM8 WD and DCTM8
- Duraform Breeze, Cascade, and Drift door styles:
 - » Feature Duraform textured wrapped MDF to match cabinet door for CTM8 DT
 - » Feature solid wood finished to match cabinet box exterior for CTM8 WD and DCTM8
- Can be used as light rail molding (cleating required)
- 8 feet long
- Bold line indicates finished surfaces

COUNTERTOP
CTM8 WD
CTM8 DT

DECORATIVE COUNTERTOP
DCTM8

Mirror Molding

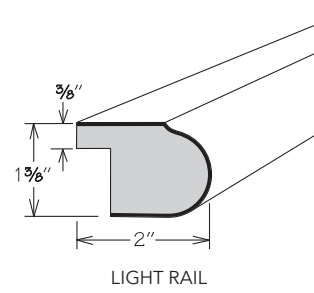


- All finishes feature solid wood finished to match cabinet box exterior
- 8 feet long
- Bold line indicates finished surfaces

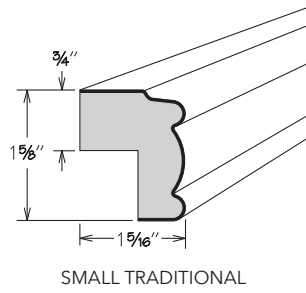
SHAKER
SMM8

MIRROR
MM8

Light Rail Molding

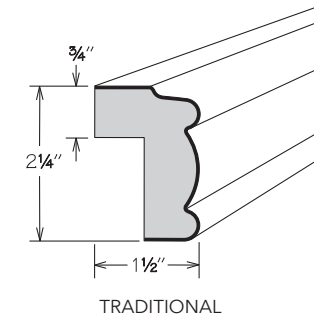


LIGHT RAIL

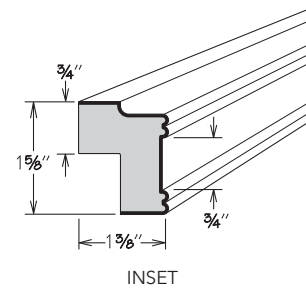


SMALL TRADITIONAL

- Wood, Painted, and Duraform Breeze, Cascade, and Drift door styles are finished to match cabinet box exterior
 - » LR8 WD features veneer wrapped MDF
 - » All other light rail moldings feature solid wood
- Duraform Espresso, Linen, Silk, Stone, and Thermofoil door styles:
 - » Feature Duraform wrapped MDF for TLR8 and LR8
 - » SQILR8, OGLR8, LBM8, STLR8, ILR8, SQLR8, and CLTM8 are finished to match cabinet box exterior
- ILR8, SQILR8, and LBM8 may use CBE8, DM8 WD, RM8 WD, SBIM8, SIM8, TBE8, or TBIM8 as accent
- CLTM8 can be used as light rail molding (cleating required)
- 8 feet long
- Bold line indicates finished surfaces



TRADITIONAL



INSET

LIGHT RAIL

LR8 WD
LR8

TRADITIONAL

TLR8

SQUARE INSET

SQILR8

OGEE

OGLR8

LIBRARY

LBM8

SMALL TRADITIONAL

STLR8

INSET

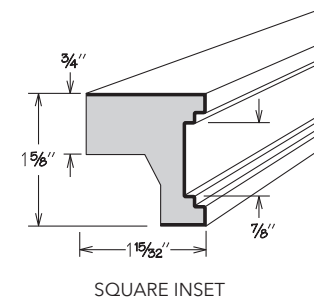
ILR8

SQUARE

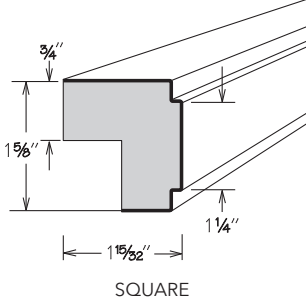
SQLR8

CLASSIC TRIM

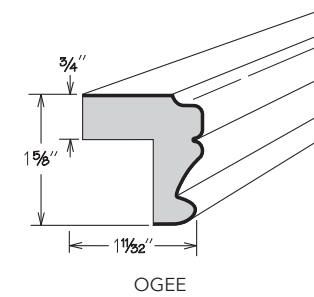
CLTM8



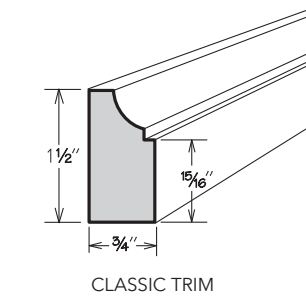
SQUARE INSET



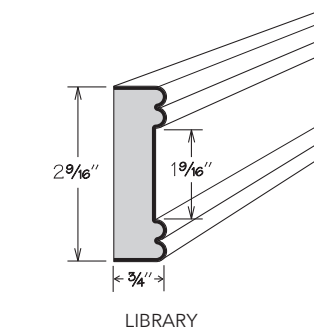
SQUARE



OGEE

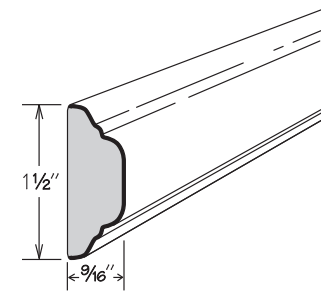


CLASSIC TRIM

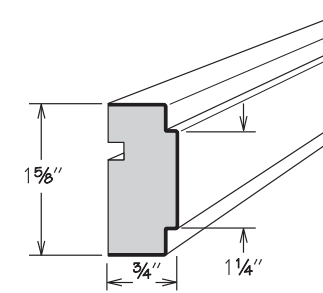


LIBRARY

Chair Rail Molding



CHAIR RAIL



SQUARE CHAIR RAIL

- All finishes feature solid wood finished to match cabinet box exterior
- 8 feet long
- Bold line indicates finished surfaces

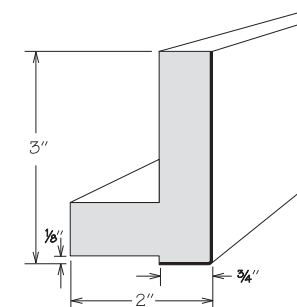
CHAIR RAIL

CR8

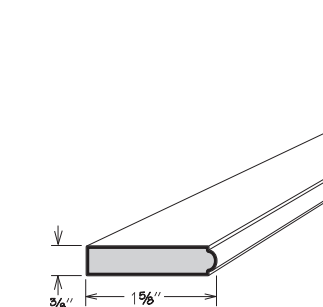
SQUARE CHAIR RAIL

SQCR8

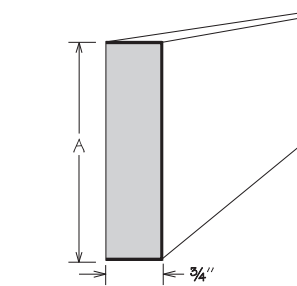
Molding Stock



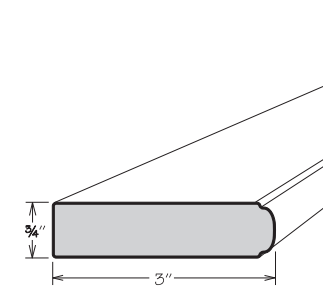
STARTER



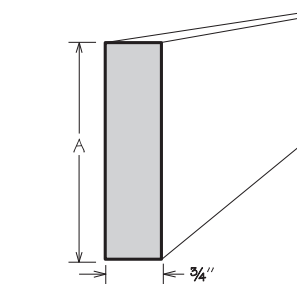
SMALL SINGLE BEAD



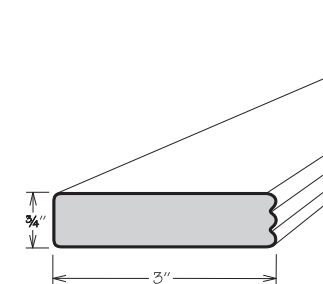
3-SIDED



SINGLE BEAD



4-SIDED

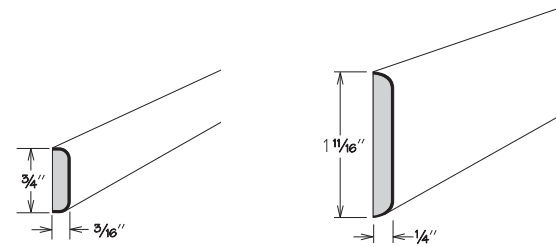


TRIPLE BEAD

- All finishes (excluding Breeze, Cascade, and Drift) feature solid wood finished to match cabinet box exterior for STRM8, S3S396, S3S696, S4S396, S4S696, SBM8, TBM8, and SSBM8
- Duraform Breeze, Cascade, and Drift door styles:
 - » Feature Duraform textured wrapped MDF to match cabinet door for S3S396 DT and S3S696 DT
 - » Feature solid wood finished to match cabinet box exterior for STRM8, S3S396, S3S696, S4S396, S4S696, SBM8, TBM8, and SSBM8
- 3-Sided and 4-Sided Stock may also be used in vertical applications (as a filler) or horizontal applications (as furniture toe)
- 8 feet long
- Bold line indicates finished surfaces

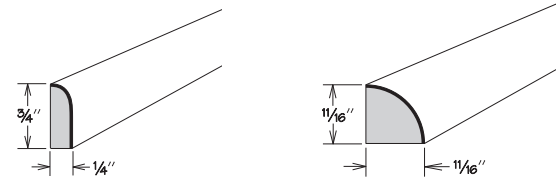
	A		A
STARTER		SINGLE BEAD	
STRM8	-	SBM8	-
3-SIDED		TRIPLE BEAD	
S3S396	3"	TBM8	-
S3S396 DT	3"	SMALL SINGLE BEAD	
S3S696	6"	SSBM8	-
S3S696 DT	6"		
4-SIDED			
S4S396	3"		
S4S696	6"		

Trim Molding



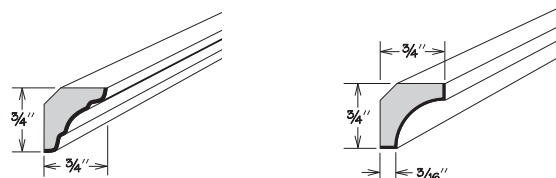
BATTEN

WIDE BATTEN



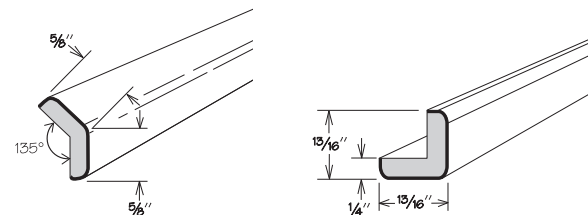
SCRIBE

QUARTER ROUND



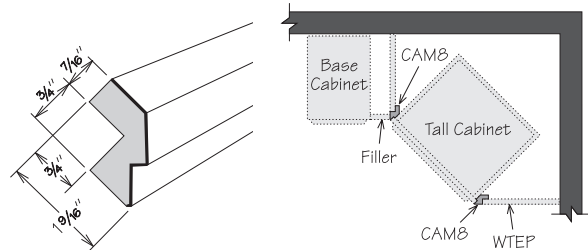
DECORATIVE INSIDE CORNER

INSIDE CORNER



ANGLED OUTSIDE CORNER

OUTSIDE CORNER



CABINET ANGLE

Top View

- All finishes (excluding Breeze, Cascade, and Drift) feature solid wood finished to match cabinet box exterior for BM8 WD, SM8 WD, ICM8, AOSC8, CAM8, WBM8, QR8, QM8 WD, and OCM8
- Duraform Breeze, Cascade, and Drift door styles:
 - » Feature Duraform textured wrapped MDF to match cabinet door for SM8 DT, QM8 DT, and OCM8 DT
 - » Feature solid wood finished to match cabinet box exterior for BM8 WD, SM8 WD, ICM8, AOSC8, CAM8, WBM8, QR8, QM8 WD, and OCM8
- Cabinet Angle Trim
 - » Can be used in corner application to place cabinet at 45° angle
 - » Cannot be installed on cabinets with the Furniture Ends Option (FE)
- 8 feet long
- Bold line indicates finished surfaces

BATTEN

BM8 WD

WIDE BATTEN

WBM8

SCRIBE

SM8 WD
SM8 DT

QUARTER ROUND

QR8

DECORATIVE INSIDE CORNER

ICM8

INSIDE CORNER

QM8 WD
QM8 DT

ANGLED OUTSIDE CORNER

AOSC8

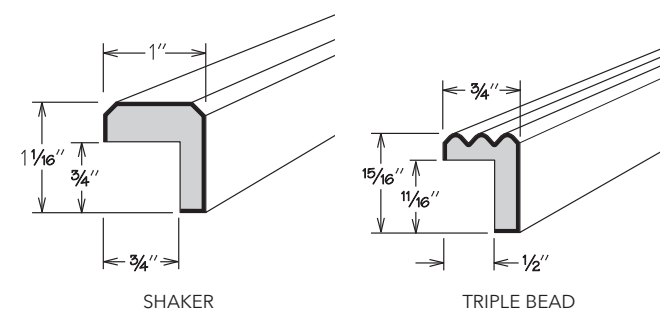
OUTSIDE CORNER

OCM8
OCM8 DT

CABINET ANGLE

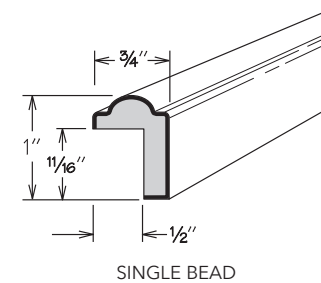
CAM8

Accent Molding



SHAKER

TRIPLE BEAD



SINGLE BEAD

- All finishes feature solid wood finished to match cabinet box exterior
- May be used as accent on Wall China, Wine Storage, Base Microwave, and Universal Design Base Multi-Use cabinets
- 8 feet long
- Bold line indicates finished surfaces

SHAKER

SAM8 WD

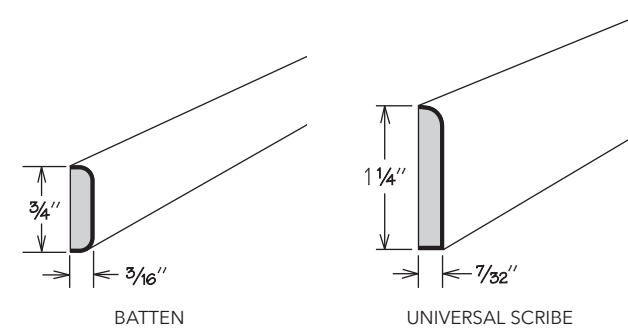
TRIPLE BEAD

TBAM8 WD

SINGLE BEAD

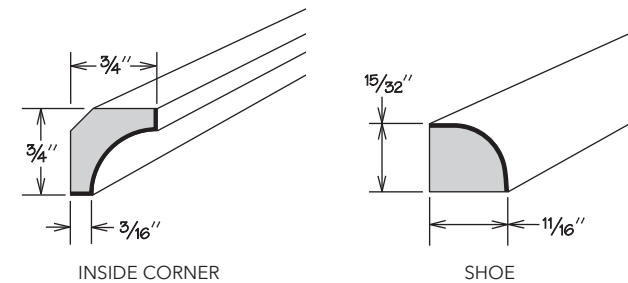
SBAM8 WD

Builder Trim Molding



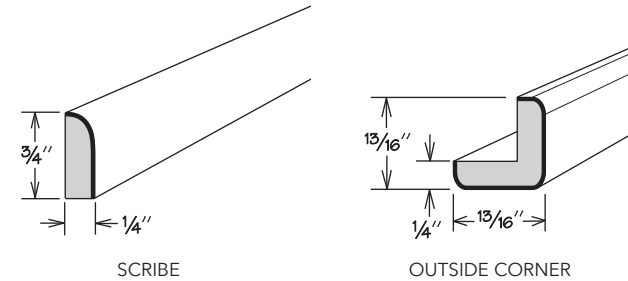
BATTEN

UNIVERSAL SCRIBE



INSIDE CORNER

SHOE



SCRIBE

OUTSIDE CORNER

- Wood door styles feature hardwood finished to match cabinet box exterior
- Duraform, Painted, and Thermofoil door styles are painted hardwood or MDF finished to match cabinet box exterior
- 8 feet long
- Bold line indicates finished surfaces

BATTEN

BM8 BLD

UNIVERSAL SCRIBE

USM8 BLD

INSIDE CORNER

QM8 BLD

SHOE

SHM8 BLD

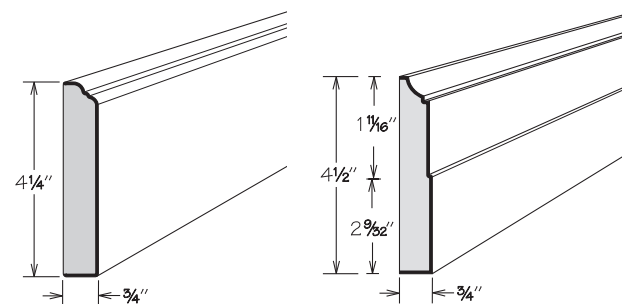
SCRIBE

SM8 BLD

OUTSIDE CORNER

OCM8 BLD

Base Molding



OGEE PILASTER

CLASSIC BASEBOARD

- Wood, Painted, and Duraform Breeze, Cascade, and Drift door styles feature solid wood finished to match cabinet box exterior
- Duraform Espresso, Linen, Silk, Stone, and Thermofoil door styles:
 - » Feature Duraform textured wrapped MDF finished to match cabinet box exterior for OGP8
 - » CLBM8 is solid wood finished to match cabinet box exterior
- For use with furniture toe or top molding applications
- 8 feet long
- Bold line indicates finished surfaces

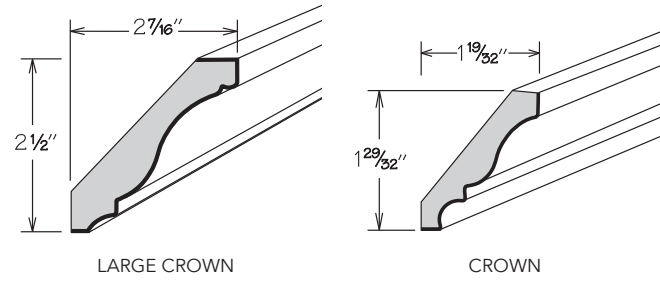
OGEE PILASTER

OGP8

CLASSIC BASEBOARD

CLBM8

Builder Crown Molding

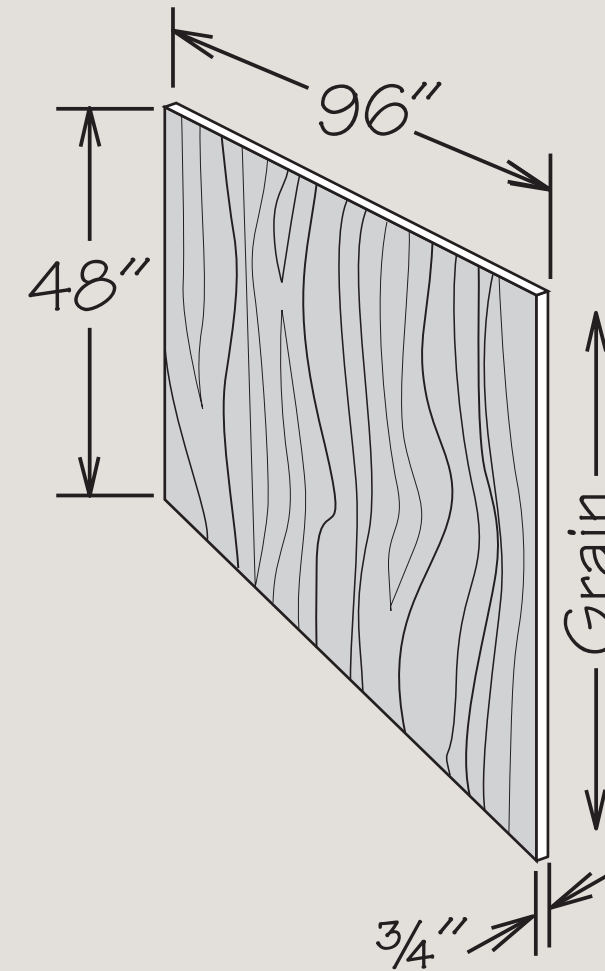


LARGE CROWN
LCM8 BLD

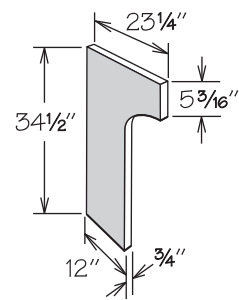
CROWN
CM8 BLD

- Wood door styles feature hardwood finished to match cabinet box exterior
- Duraform, Painted, and Thermofoil door styles are painted hardwood or MDF finished to match cabinet box exterior
- 8 feet long
- Bold line indicates finished surfaces

PANELS, FILLERS & INSTALLATION ITEMS



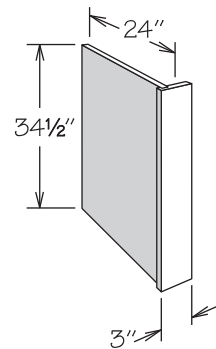
Desk End Panel



- All door styles feature 3/4" veneered engineered wood finished to match cabinet box exterior on both sides
- Recommend QM8 WD be ordered for installation to ensure proper attachment to wall
- Field trimmable

DEP

Dishwasher Return

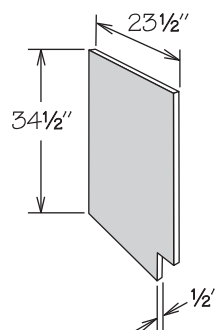


- Reversible for left or right installation
- Solid wood front
- All door styles feature 1/2" engineered wood with TuffTech finish - outside to match cabinet exterior and inside with a natural woodgrain look
- Attaching blocks included
- Field trimmable to 1" in width
- Can be notched for toe kick in the field

APC
FE
PE

DWR3

Sink/Vanity Front Return

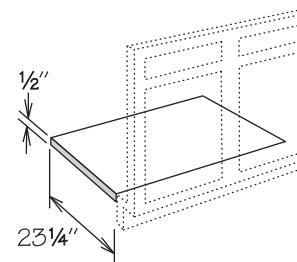


- All door styles feature 1/2" engineered wood with TuffTech finish - outside to match cabinet exterior and inside with a natural woodgrain look
- Specify left or right
- Attaching blocks included
- SFR (R/L) with the Furniture Ends Option (FE) will include a rabbeted front edge

APC
FE
PE

SFRR
SFRL

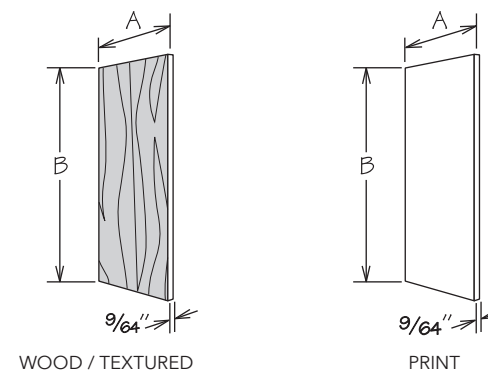
Sink/Vanity Front Floor



- All door styles feature 1/2" engineered wood with TuffTech finish - one side finished with a natural woodgrain look
- 1/2" oversize in width
- FL36X36 to be used for CSF36 (field trim to fit)
- FL48X48 to be used for CSF42 (field trim to fit)
- Field trimmable

FL24
FL36
FL36X36
FL48
FL48X48
FL60
FL72

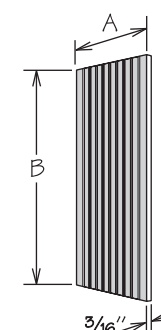
Paneling



- Wood paneling used for all stained door styles, Duraform Cascade and Duraform Espresso, and features 3/4" plywood finished on one side to match cabinet box exterior
- Print paneling used for Duraform (excluding Cascade and Espresso), Painted, and Thermofoil door styles and features 3/4" roll-coated industrial substrate finished on one side to match cabinet box exterior
- Textured paneling features 3/4" textured-wrapped engineered wood finished on one side to match cabinet door - available for Breeze, Cascade, and Drift finishes only
- TEP120 WD can be ordered for all door styles (Stained, Painted, Duraform, and Thermofoil)
- FP9634 DT is shipped as two 48" wide x 34 1/2" high panels
- Field trimmable

WOOD	TEXTURED	PRINT	A	B
WEP30 WD	WEP30 DT	WEP30 PRT	11 1/4"	30 1/8"
WEP42 WD	WEP42 DT	WEP42 PRT	11 1/4"	42 1/8"
WEP48 WD	WEP48 DT	WEP48 PRT	11 1/4"	48"
WEP1542 WD	WEP1542 DT	WEP1542 PRT	14 1/4"	42 1/8"
BEP34 WD	BEP34 DT	BEP34 PRT	23 1/4"	34 1/2"
TEP84 WD	TEP84 DT	TEP84 PRT	23 1/4"	84"
TEP96 WD	TEP96 DT	TEP96 PRT	23 1/4"	96"
TEP120 WD	TEP120 DT	-	23 1/4"	120"
FP4834 WD	FP4834 DT	FP4834 PRT	48"	34 1/2"
FP4896 WD	FP4896 DT	FP4896 PRT	48"	96"
FP9634 WD	FP9634 DT	FP9634 PRT	96"	34 1/2"
FP9648 WD	-	FP9648 PRT	96"	48"

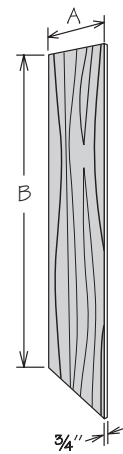
Grooved Paneling



- Grooved every 1 1/2" on one side
- All door styles feature 3/8" plywood finished on one side to match cabinet box exterior
- Field trimmable
- FP9634 Grooved Paneling is shipped as two 48" wide x 34 1/2" high panels

	A	B
WEP30 GROOVED	11 1/4"	30 1/8"
WEP42 GROOVED	11 1/4"	42 1/8"
WEP48 GROOVED	11 1/4"	48"
WEP1542 GROOVED	14 1/4"	42 1/8"
BEP34 GROOVED	23 1/4"	34 1/2"
TEP84 GROOVED	23 1/4"	84"
TEP96 GROOVED	23 1/4"	96"
FP4834 GROOVED	48"	34 1/2"
FP4896 GROOVED	48"	96"
FP9634 GROOVED	96"	34 1/2"

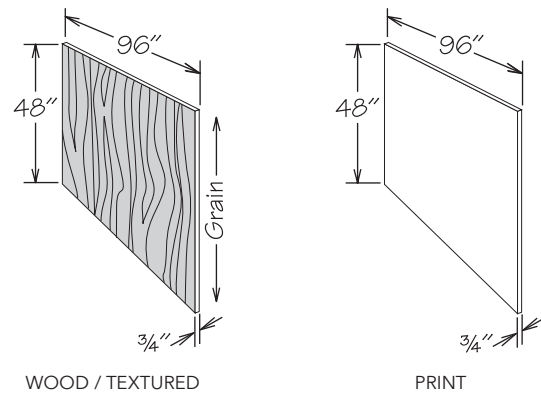
Wood End Panel



- Wood panels feature 3/4" engineered wood finished on both sides to match cabinet box exterior for all door styles
- Textured panels feature 3/4" textured-wrapped engineered wood finished on both sides to match cabinet door - available for Breeze, Cascade, and Drift finishes only
- Edge banded on both long edges
- Field trimmable

WOOD	A	B
WBEP	24"	34 1/2"
WTEP84	24"	84"
WTEP96	24"	96"
WTEP120	24"	120"
DWTEP84	32"	84"
DWTEP96	32"	96"
TEXTURED		
WWEP1330 DT	13"	30 1/8"
WWEP1336 DT	13"	36 1/8"
WWEP1339 DT	13"	39 1/8"
WWEP1342 DT	13"	42 1/8"
WBEP2534 DT	25"	34 1/8"
DWTEP84 DT	32"	84"
DWTEP96 DT	32"	96"
DWTEP120 DT	32"	120"

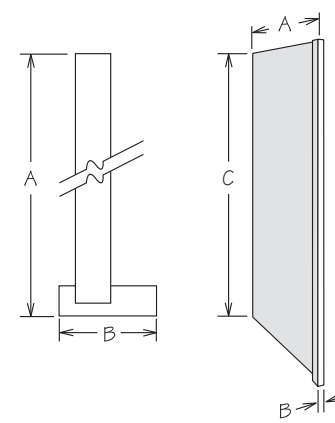
3/4" Panel



- Wood paneling used for all stained door styles, Duraform Cascade and Duraform Espresso, features 3/4" plywood finished on both sides to match cabinet box exterior
- Print paneling used for Duraform (excluding Cascade and Espresso), Painted, and Thermofoil door styles features 3/4" plywood finished on both sides to match cabinet box exterior
- Textured paneling features 3/4" textured-wrapped engineered wood finished on both sides to match cabinet door - available for Breeze, Cascade, and Drift finishes only
- WP9648 DT is shipped as two 48" wide x 48" high panels
- Edge banded on all edges
- Field trimmable

WOOD	PRINT
WP9648 WD	WP9648 PRT
TEXTURED	
WP9648 DT	

Refrigerator Return + 1/2" Panel

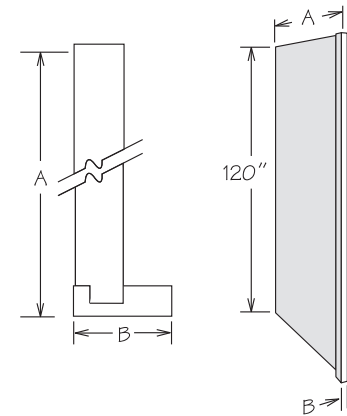


- Reversible for left or right installation
- Solid wood front
- 24" Deep Refrigerator Returns feature 1/2" engineered wood with a TuffTech finish - outside finished to match cabinet exterior and inside with a natural woodgrain look
- 32" Deep Refrigerator Returns feature 1/2" plywood finished on outside to match cabinet exterior and TuffTech natural woodgrain look inside
- Field trimmable in height
- Front filler can be trimmed to a minimum of 1" wide

APC	◆
FE	
MI	
PE	
RD	■

	A	B	C
RR84 ◆	24"	1 5/8"	84"
RR384 ◆	24"	3"	84"
RR96 ◆	24"	1 5/8"	96"
RR396 ◆	24"	3"	96"
RR84 X 32DP ■	32"	1 5/8"	84"
RR384 X 32DP ■	32"	3"	84"
RR96 X 32DP ■	32"	1 5/8"	96"
RR396 X 32DP ■	32"	3"	96"

Refrigerator Return + 3/4" Panel

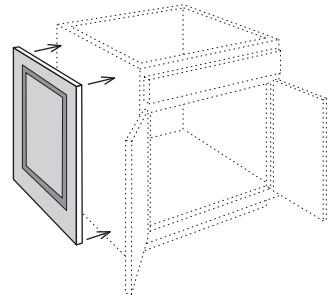


- Reversible for left or right installation
- Solid wood front
- 24" Deep Refrigerator Returns feature 3/4" engineered wood finished on both sides to match cabinet box exterior
- 32" Deep Refrigerator Returns feature 3/4" plywood finished on both sides to match cabinet box exterior
- Field trimmable in height
- Front filler can be trimmed to a minimum of 1" wide

APC	◆
RD	■

	A	B
RR120FL ◆	24"	1 5/8"
RR3120FL ◆	24"	3"
RR120FL X 32DP ■	32"	1 5/8"
RR3120FL X 32DP ■	32"	3"

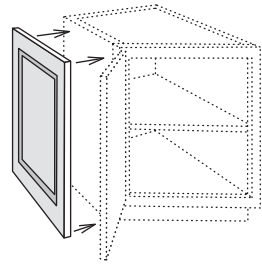
Decorator Matching Doors + Base Cabinets



- Furniture Ends Option (FE) or BEP34 panel is recommended for installation
- Attaches to side of 24" deep base cabinet
- Matches style and finish of cabinet doors
- Panel thickness is 3/4"
- Refer to Timberlake Parts Directory for dimensions

DMDB

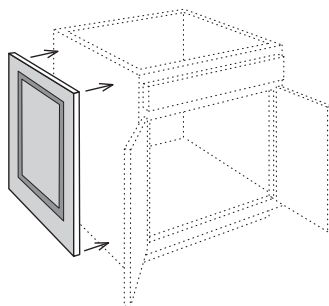
Decorator Matching Doors + BEA12 Base Cabinets



- Furniture Ends Option (FE) or WEP42 panel is recommended for installation
- Attaches to side of BEA12 or BS2434
- Matches style and finish of cabinet doors
- Panel thickness is 3/4"
- Refer to Timberlake Parts Directory for dimensions

DMDBEA12

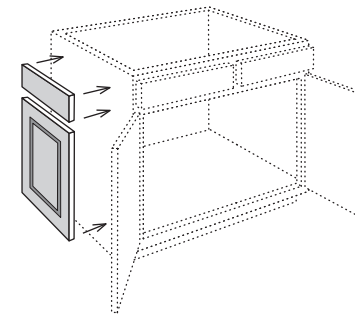
Decorator Matching Doors + Desk Cabinets



- Furniture Ends Option (FE) or BEP34 panel is recommended for installation
- Attaches to side of 21" or 24" deep desk cabinet
- Matches style and finish of cabinet doors
- Panel thickness is 3/4"
- Refer to Timberlake Parts Directory for dimensions

DMDD21
DMDD24

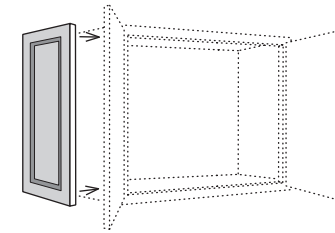
Decorator Matching Doors + Vanity Cabinet



- Furniture Ends Option (FE) or BEP34 panel is recommended for installation
- Attaches to side of 20 3/4" deep x 31 1/8" high vanity cabinet
- For 18" deep x 31 1/8" high vanity cabinetry order DR1827 BUTT ND door
- For Base Height Vanity order door DR2130 ND for 20 3/4" deep or DR1830 ND for 18" deep cabinetry
- Matches style and finish of cabinet doors
- Panel thickness is 3/4"
- Refer to Timberlake Parts Directory for dimensions

DMDV

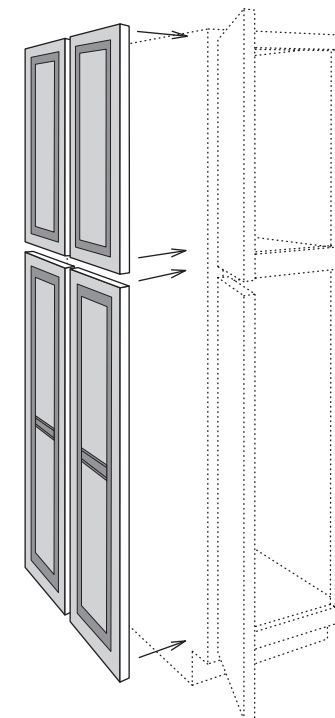
Decorator Matching Doors + Wall Cabinets



- Furniture Ends Option (FE) or WEP30/WEP42 panel is recommended for installation
- Attaches to side of wall cabinet
- Matches style and finish of cabinet doors
- Panel thickness is 3/4"
- Refer to Timberlake Parts Directory for dimensions

DMDW18
DMDW24
DMDW30
DMDW36
DMDW39
DMDW42

Decorator Matching Doors + Tall Cabinets



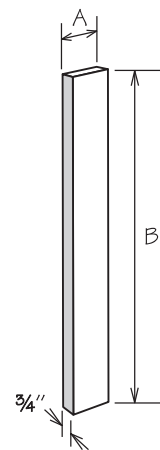
24" Deep Shown

- Furniture Ends Option (FE) or TEP84/TEP96 panel is recommended for installation
- Attaches to side of utility or oven cabinet
- Matches style and finish of cabinet doors
- Panel thickness is 3/4"
- 24" deep features four doors (as shown)
- 12" deep features two doors
- Bottom doors on DMDT will have a center rail except for Charleston, Kinsdale, Lausanne, Maddox and all Duraform and Thermofoil door styles
- Refer to Timberlake Parts Directory for dimensions

12" DEEP
DMDT8412
DMDT9012
DMDT9312
DMDT9612

24" DEEP
DMDT8424
DMDT9024
DMDT9324
DMDT9624

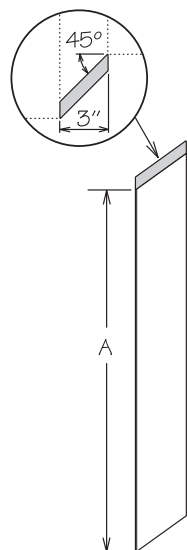
Universal Filler



- Wood fillers:
 - » 3/4" solid wood
 - » UF1__ and UF2__ are finished on front, one long, and both short edges to match cabinet box exterior
 - » UF3__, UF6__, and S3S__ are finished on front and all four edges to match cabinet box exterior
 - » S4S__ are finished on front, back, and all four edges to match cabinet box exterior
- Textured fillers:
 - » 3/4" engineered wood textured-wrapped on front and all four edges to match cabinet door
 - » Available in Breeze, Cascade, and Drift finishes only
- Field trimmable

WOOD	A	B	TEXTURED	A	B
UF1	1"	30 1/2"	S3S396 DT	3"	96"
UF2	2"	30 1/2"	S3S696 DT	6"	96"
UF3	3"	30 1/2"			
UF6	6"	30 1/2"			
UF142	1"	42 1/8"			
UF242	2"	42 1/8"			
UF342	3"	42 1/8"			
UF642	6"	42 1/8"			
UF380	3"	80"			
UF680	6"	80"			
UF392	3"	92"			
UF692	6"	92"			
S3S396	3"	96"			
S3S696	6"	96"			
S4S396	3"	96"			
S4S696	6"	96"			
UF3120	3"	120"			

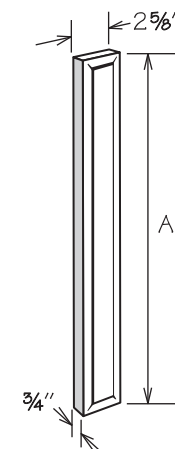
Universal Filler Extension



- 3/4" solid wood
- Finished on front and all four edges to match cabinet box exterior
- Field trimmable

	A
UF E3	30 1/2"
UF E342	42 1/8"

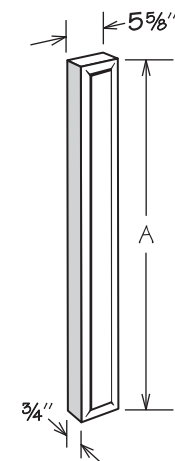
3" Overlay Filler



- For use with full overlay door styles only
- Outside profile matches door
- Wood overlay fillers are 3/4" solid wood with all edges are finished to match cabinet box exterior
- Textured overlay fillers are 3/4" engineered wood textured-wrapped on all edges to match cabinet door - available for Breeze, Cascade, and Drift finishes only
- Indicate door style when ordering
- Not field trimmable
- Must be mounted to a Universal Filler (order separately)

WOOD	TEXTURED	A
WOF312	WOF312 DT	11 1/8"
WOF315	WOF315 DT	14 1/8"
WOF318	WOF318 DT	17 1/8"
WOF321	WOF321 DT	20"
WOF324	WOF324 DT	23 3/8"
WOF327	WOF327 DT	26 1/2"
WOF330	WOF330 DT	29 1/2"
WOF336	WOF336 DT	35 1/2"
WOF339	WOF339 DT	38 1/2"
WOF342	WOF342 DT	41 1/2"
BOF3	BOF3 DT	29 7/8"
DOF3	DOF3 DT	23 3/8"
VOF3	VOF3 DT	26 1/2"
TOF384	TOF384 DT	79 3/8"
TOF390	TOF390 DT	85 3/8"
TOF393	TOF393 DT	88 3/8"
TOF396	TOF396 DT	91 3/8"

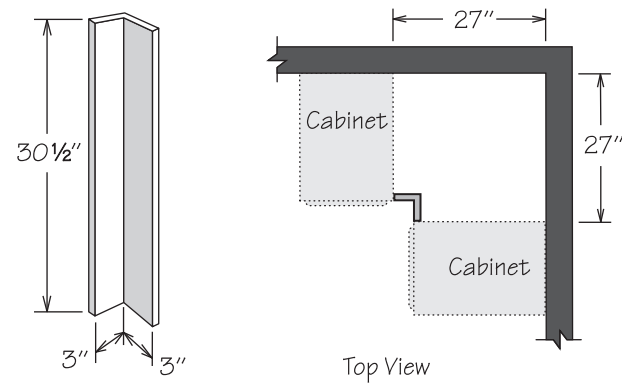
6" Overlay Filler



- For use with full overlay Thermofoil and Duraform door styles only
- Outside profile matches door
- All edges are finished to match cabinet box exterior
- Indicate door style when ordering
- Not field trimmable
- Must be mounted to a Universal Filler (order separately)

	A
WOF630	29 1/2"
WOF636	35 1/2"
WOF639	38 1/2"
WOF642	41 1/2"

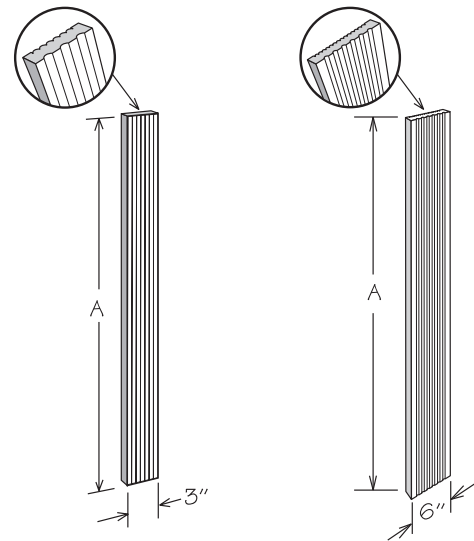
Base Corner Filler



- 3/4" solid wood
- Finished on front and all four edges to match cabinet box exterior
- Trimmable

BCF27

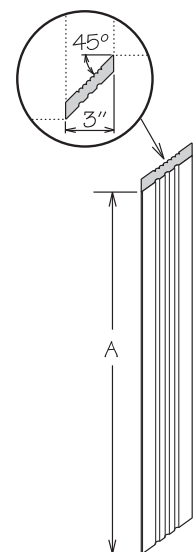
Fluted Beaded Filler + Reversible



- Filler is fluted on one side and beaded on reverse side
- Finished all sides to match cabinet box exterior
- 3/4" solid wood
- Apply decorative blocks for accent
- Field trimmable
- Ensure correct side is exposed when installed

3" WIDE		A
FBF3		30 1/2"
FBF342		42 1/8"
FBF384		84"
FBF396		96"
6" WIDE		A
FBF6		30 1/2"
FBF642		42 1/8"
FBF684		84"
FBF696		96"

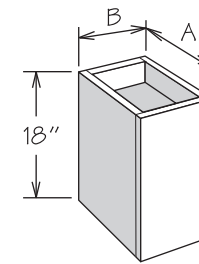
Fluted Beaded Filler Extension + Reversible



- For wall or base application
- Filler is fluted on one side and beaded on reverse side
- Finished all sides to match cabinet box exterior
- 3/4" solid wood
- Apply 3" wide decorative blocks for accent
- Field trimmable
- Ensure correct side is exposed when installed

	A
FBF E3	30 1/2"
FBF E342	42 1/8"

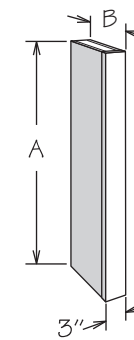
Plain Box Filler



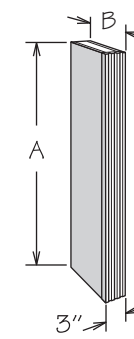
- Veneered engineered wood
- Features 1/4" reveal
- Trimmable in height to 14 1/8" tall
- Reversible for left or right installation

	A	B
WPB91815	15"	9"
WPB121815	15"	12"
WPB91824	24"	9"
WPB121824	24"	12"

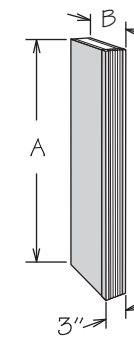
Column Filler



PLAIN (_PC)



FLUTED (_FC)

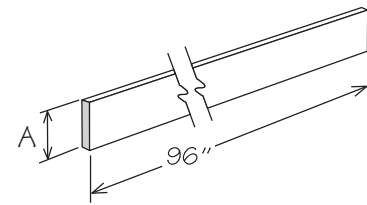


BEADED (_BC)

- 3" wide x 3/4" thick solid wood front
- Finished veneered sides are flush with face
- Reversible for left or right installation
- Top and bottom edges of returns are edge banded
- Apply 3" wide decorative blocks for accent
- Field trimmable to any depth
- Field trimmable in height noted below:
 - » W_C31530 field trimmable to 27 1/8", 24 1/2", 20 5/8", 18 1/8", 15 1/8", or 12 1/8"
 - » W_C31542 field trimmable to 39 1/8" or 36 1/8"
 - » W_C31560 field trimmable to 54" or 48"
 - » B_C32734 field trimmable to 31 1/8" or 28 1/2"
 - » T_C32796 field trimmable to 93" or 90"
 - » T_C32784 not trimmable in height

PLAIN	A	B
Wall		
WPC31530	30 1/8"	15"
WPC31542	42 1/8"	15"
WPC31560	60"	15"
Base		
BPC32734	34 1/2"	27"
Tall		
TPC32784	84"	27"
TPC32796	96"	27"
FLUTED		
Wall		
WFC31530	30 1/8"	15"
WFC31542	42 1/8"	15"
WFC31560	60"	15"
Base		
BFC32734	34 1/2"	27"
Tall		
TFC32784	84"	27"
TFC32796	96"	27"
BEADED		
Wall		
WBC31530	30 1/8"	15"
WBC31542	42 1/8"	15"
WBC31560	60"	15"
Base		
BBC32734	34 1/2"	27"
Tall		
TBC32784	84"	27"
TBC32796	96"	27"

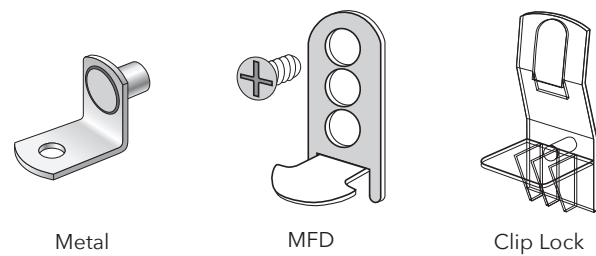
Base Toe Kick



- Wood toe kicks are used for all stained door styles, Duraform Cascade and Duraform Espresso, and are 3/4" plywood finished on one side to match cabinet box exterior
- Print toe kicks are used for Duraform (excluding Duraform Cascade and Espresso), Painted, and Thermofoil door styles and are 3/4" roll-coated industrial substrate finished on one side to match cabinet box exterior
- Textured toe kicks are used for Breeze, Cascade, and Drift finishes and are 3/4" engineered wood textured-wrapped on one side to match cabinet door
- Touch Up Kit recommended for exposed ends
- Field trimmable

WOOD	A
BTK8 WD	3 1/16"
BTK8 WD UD	8"
PRINT	A
BTK8 PRT	3 1/16"
BTK8 PRT UD	8"
TEXTURED	A
BTK8 DT	3 1/16"

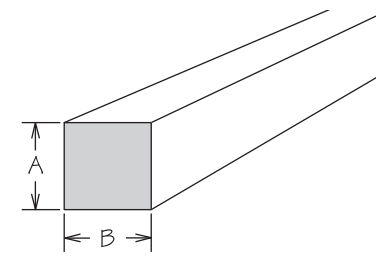
Shelf Rests



- Metal and MFD shelf rests are nickel plated steel
- MFD shelf rests are six position adjustable for alignment of shelf with mullion
- Clip Lock shelf rests are molded clear high-strength polycarbonate

	QTY.
Bookshelves & Wall Shelves	
SHELF REST METAL 4PK	4
SHELF REST METAL 12	12
Mullion & Horizontal Frame Cabinet Shelves	
SHELF REST MFD PK	8
1/2" Base Shelves	
CLIP LOCK SHELF 4 PK	4
3/4" Base & Tall Shelves	
CLIP LOCK SHELF 3/4 4 PK	4

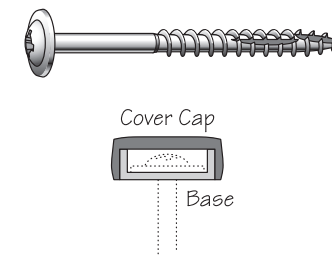
Cleat



- Unfinished
- HWC 1/2X1/2X96 and HWC 3/4X3/4X96 are shipped in two 48" long pieces

	A	B
HWC 1/2X1/2X96	1/2"	1/2"
HWC 3/4X3/4X96	3/4"	3/4"
HWC 1X2X96	3/4"	1 1/2"
HWC 2X4X96	1 1/2"	3 1/2"

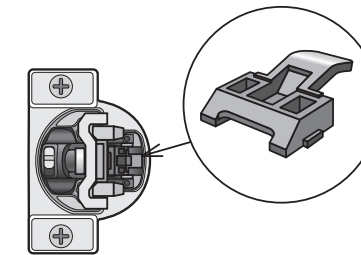
Screws & Screw Cover Caps



- Installation screws are Phillips panhead 2 1/2" long
- Cover caps used to conceal head of installation screw

	QTY.
SCREW INST 2.5 BX100	100
COVER CAP TAN	50
COVER CAP WHT	50

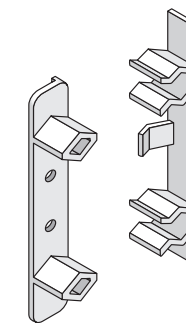
Hinge Restriction Clip



- Limits door opening to 86° to avoid contact with adjacent objects
- For use on CushionClose hinges only
- Package includes 10 per bag (1 required per hinge)

HINGE CC ANG RES CLP	
----------------------	--

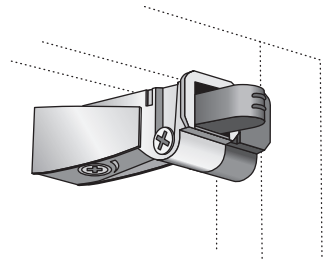
Dummy Drawer Front Fastener



- For installation of one dummy drawer front
- Kit contents:
 - » Two sets of DDF Fasteners
 - » Eight screws
 - » One instruction sheet
- Please refer to cabinet specifications as some cabinets will require more than one kit

DDF FASTENER	
--------------	--

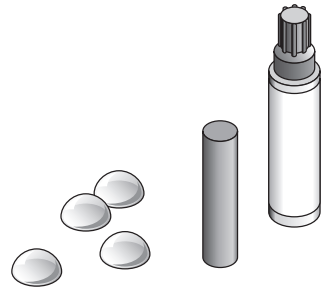
CushionClose Door Buffer



- Field installation accessory
- Slow closing system helps reduce slams and noise
- Package includes one unit and installation instructions
- Pre-drilling of face frames recommended
- One unit per door recommended for doors up to 30" high
- Two units per door recommended for doors 36" and higher
- Not for use on following SKUs: BEA12 FH, BER, BFP3, BPP9, BPP12, BPPUS9, BPPUS12, BTDP9, BWBB, BSS, CAR, DWBB, VWBB, WEA, or WER

CUSH CLOSE DR BUFFER

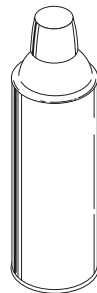
Touch Up Kit



- Kit for repairing minor dents, gouges, scratches, and surface imperfections includes:
 - » Putty Stick
 - » Touch Up Marker
 - » Door bumpers
- Instructions printed on bag

TOUCHUP KIT

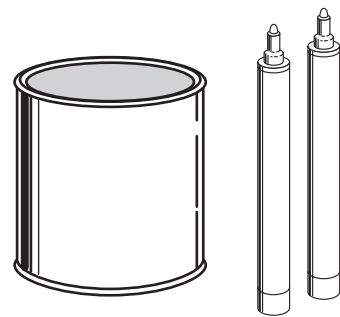
Spray Stain



- SPRAY STAIN TINTED available for wood door styles excluding: Maple Auburn, Maple Cognac, Maple Espresso, Maple Slate, and all Cherry finishes
- SPRAY STAIN CLEAR for use as top coat for all door styles
- Indicate species and finish when ordering
- 11 ounce aerosol spray can

SPRAY STAIN CLEAR
SPRAY STAIN TINTED

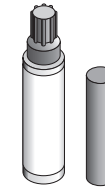
Stain



- STAIN PINT (QUART) used for all non-glazed stains and non-glazed painted finishes
- STAIN GLAZED PINT (QUART) used for all glazed stains and glazed painted finishes
- STAIN TOP COAT strongly recommended for application over ALL finishes (order separately)
- STAIN GLAZED includes STAIN PINT and two STAIN GLAZED PENS per pint
- STAIN GLAZED PENS available for order separately (quantity of two)
- Indicate species and finish when ordering
- PINT covers approximately 40 square feet
- QUART covers approximately 80 square feet
- Instructions included

STAIN PINT
STAIN QUART
STAIN GLAZED PINT
STAIN GLAZED QUART
STAIN GLAZED PENS
STAIN TOP COAT PINT
STAIN TOP COAT QUART

Putty Stick & Marker



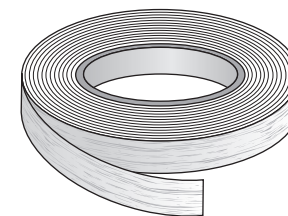
- Indicate species and finish when ordering
- Refer to chart to order correct QTY
- Putty Stick - for filling minor dents, gouges, and scratches made during or after installation
- Touch Up Marker - adds color to minor surface scratches

PUTTY STICK EXT QTY1
PUTTY STICK EXT QTY2
PUTTY STICK INTERIOR
TU MARKER EXT QTY1
TU MARKER EXT QTY2
TU MARKER INTERIOR
TU MARKER DURAFORM

Finish Color	Putty Stick	TU Marker
Cherry Autumn	PUTTY STICK EXT QTY1	TU MARKER EXT QTY2
Cherry Java	PUTTY STICK EXT QTY1	TU MARKER EXT QTY1
Cherry Merlot	PUTTY STICK EXT QTY1	TU MARKER EXT QTY2
Cherry Slate	PUTTY STICK EXT QTY1	TU MARKER EXT QTY1
Cherry Spice	PUTTY STICK EXT QTY2	TU MARKER EXT QTY1
Duraform Breeze	PUTTY STICK EXT QTY1	TU MARKER EXT QTY2
Duraform Cascade	PUTTY STICK EXT QTY1	TU MARKER EXT QTY2
Duraform Drift	PUTTY STICK EXT QTY1	TU MARKER EXT QTY1
Duraform Espresso	PUTTY STICK EXT QTY1	TU MARKER DURAFORM
Duraform Linen	PUTTY STICK EXT QTY2	TU MARKER DURAFORM
Duraform Silk	PUTTY STICK EXT QTY1	TU MARKER DURAFORM
Duraform Stone	PUTTY STICK EXT QTY1	TU MARKER DURAFORM
Maple Auburn	PUTTY STICK EXT QTY1	TU MARKER EXT QTY2
Maple Cognac	PUTTY STICK EXT QTY1	TU MARKER EXT QTY1
Maple Espresso	PUTTY STICK EXT QTY1	TU MARKER EXT QTY2
Maple Mocha	PUTTY STICK EXT QTY1	TU MARKER EXT QTY2
Maple Rye	PUTTY STICK EXT QTY1	TU MARKER EXT QTY1
Maple Slate	PUTTY STICK EXT QTY1	TU MARKER EXT QTY1
Maple Spice	PUTTY STICK EXT QTY1	TU MARKER EXT QTY1
Maple Truffle	PUTTY STICK EXT QTY1	TU MARKER EXT QTY2

Finish Color	Putty Stick	TU Marker
Painted Boulder	PUTTY STICK EXT QTY1	TU MARKER EXT QTY1
Painted Ember	PUTTY STICK EXT QTY1	TU MARKER EXT QTY2
Painted Harbor	PUTTY STICK EXT QTY1	TU MARKER EXT QTY1
Painted Hazelnut	PUTTY STICK EXT QTY1	TU MARKER EXT QTY2
Painted Linen	PUTTY STICK EXT QTY2	TU MARKER EXT QTY2
Painted Pewter	PUTTY STICK EXT QTY2	TU MARKER EXT QTY2
Painted Silk	PUTTY STICK EXT QTY1	TU MARKER EXT QTY1
Painted Stone	PUTTY STICK EXT QTY1	TU MARKER EXT QTY1
Interior	PUTTY STICK INTERIOR	TU MARKER INTERIOR
White	PUTTY STICK EXT QTY2	TU MARKER EXT QTY2

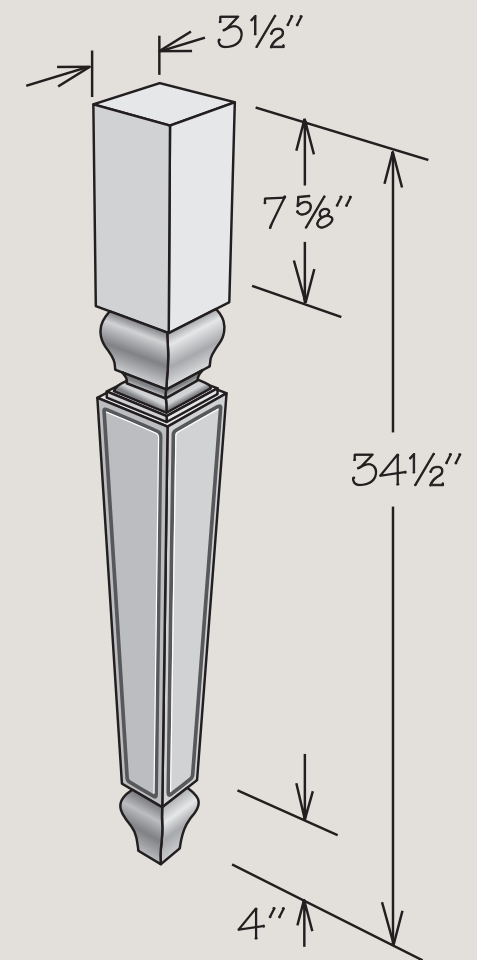
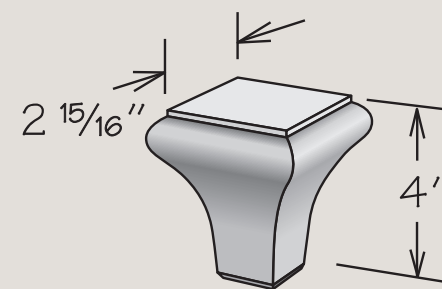
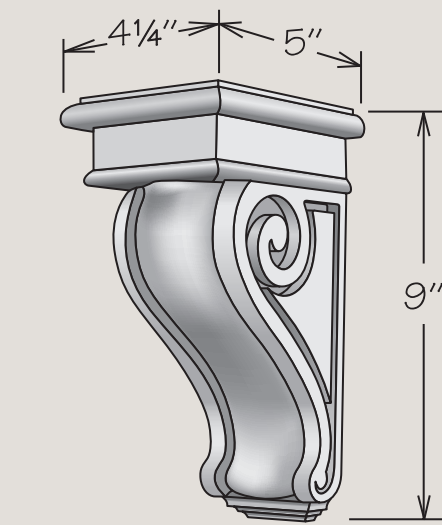
Edge Banding + Textured



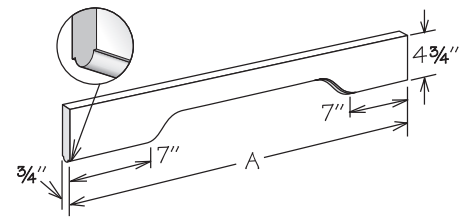
- Available for Breeze, Cascade, and Drift finishes only
- Tape is required for edge band installation
- Trimmable

	HEIGHT	LENGTH
EDGE BAND 25 DT	7/8"	25'
EDGE BAND TAPE 50	1"	50'

DECORATIVE ACCENTS



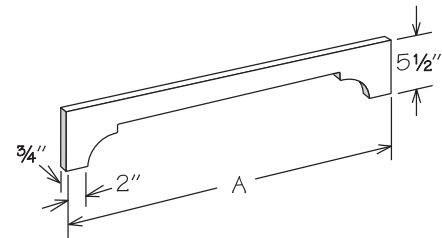
Arched Valance



- Field trimmable
- All door styles feature solid wood finished to match cabinet box exterior
- Dimension from height of arch to top of valance is 2 1/2"

	A	MAX. TRIM (6 1/8" each end)
V36 AR	36 1/4"	24"
V48 AR	48 1/4"	36"
V60 AR	60 1/4"	48"
V72 AR	72 1/4"	60"

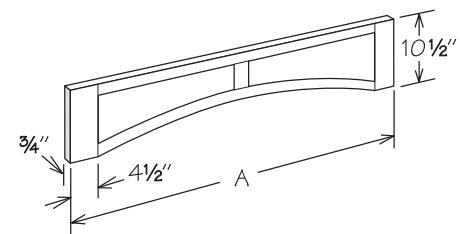
Crown Valance



- Field trimmable
- All door styles feature solid wood finished to match cabinet box exterior
- Dimension from height of arch to top of valance is 2 1/4"

	A	MAX. TRIM (1 1/2" each end)
V30 CR	30 1/4"	27 1/4"
V36 CR	36 1/4"	33 1/4"
V42 CR	42 1/4"	39 1/4"
V48 CR	48 1/4"	45 1/4"
V60 CR	60 1/4"	57 1/4"
V72 CR	72 1/4"	69 1/4"

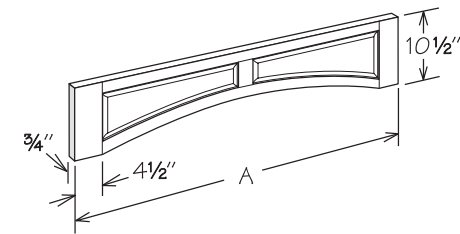
Flat Panel Arched Valance



- Field trimmable
- All door styles feature solid wood finished to match cabinet box exterior
- Dimension from height of arch to top of valance is 8 1/2"

	A	MAX. TRIM (3" each end)	NUMBER OF PANELS
V36 FP	36"	30"	2
V42 FP	42"	36"	2
V48 FP	48"	42"	2
V54 FP	54"	48"	3
V60 FP	60"	54"	3
V66 FP	66"	60"	3
V72 FP	72"	66"	3

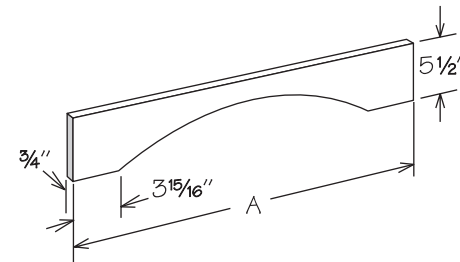
Raised Panel Arched Valance



- Field trimmable
- All door styles feature solid wood finished to match cabinet box exterior
- Dimension from height of arch to top of valance is 8 1/2"

	A	MAX. TRIM (3" each end)	NUMBER OF PANELS
V36 RP	36"	30"	2
V42 RP	42"	36"	2
V48 RP	48"	42"	2
V54 RP	54"	48"	3
V60 RP	60"	54"	3
V66 RP	66"	60"	3
V72 RP	72"	66"	3

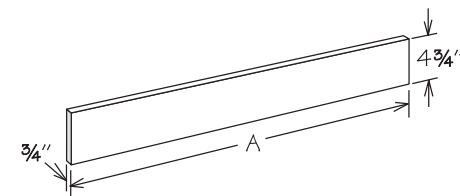
Shaker Valance



- Field trimmable
- All door styles feature solid wood finished to match cabinet box exterior
- Dimension from height of arch to top of valance is 2 1/4"

	A	MAX. TRIM (3 3/8" each end)
V30 SH	30 1/4"	24"
V36 SH	36 1/4"	30"
V42 SH	42 1/4"	36"
V48 SH	48 1/4"	42"
V60 SH	60 1/4"	54"
V72 SH	72 1/4"	66"

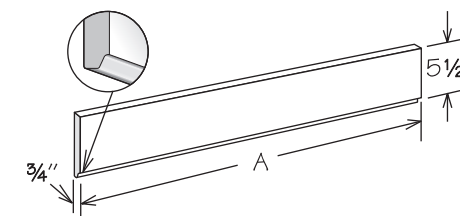
Straight Valance



- Field trimmable
- All door styles feature solid wood finished to match cabinet box exterior

	A
V48 S	48 1/4"
V72 S	72 1/4"

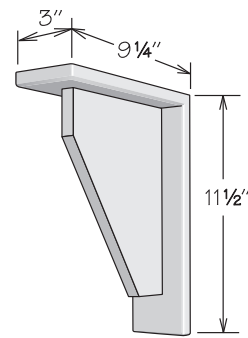
Traditional Valance



- Field trimmable
- All door styles feature solid wood finished to match cabinet box exterior

	A
V36 T	36 1/4"
V72 T	72 1/4"
V96 T	96 1/4"

Countertop Support

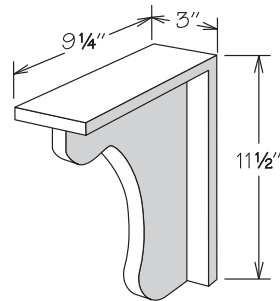


ANGLED

- All door styles feature 3/8" solid wood finished to match cabinet box exterior
- For decorative use only

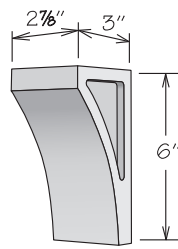
ANGLED
AS12

CURVED
CS12

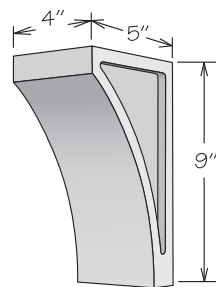


CURVED

Cove Corbels



SMALL



MEDIUM

- All door styles feature solid wood finished to match cabinet box exterior
- Recessed mounting clips included
- For decorative use only
- Complements the Parker, Base Square, and Base Tapered legs and feet

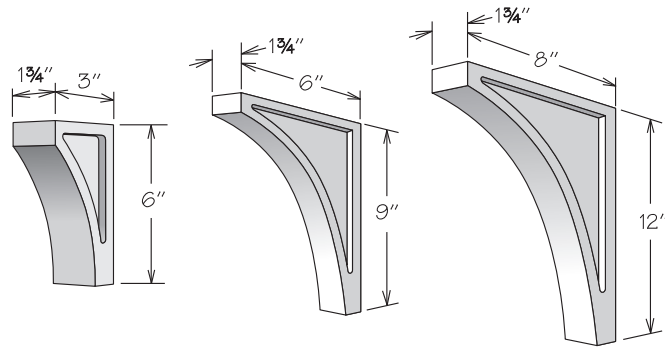
SMALL
CC36

SMALL NARROW
CC26

MEDIUM
CC49

MEDIUM NARROW
CC29

LARGE NARROW
CC212

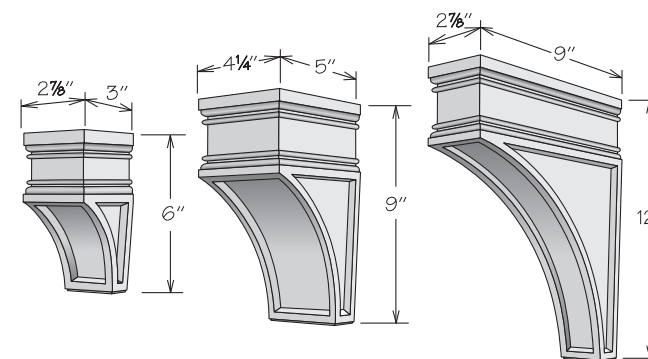


SMALL NARROW

MEDIUM NARROW

LARGE NARROW

Valencia Corbels



SMALL

MEDIUM

LARGE

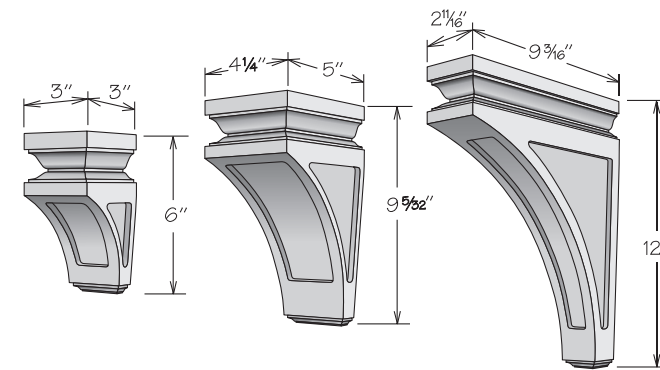
- All door styles feature solid wood finished to match cabinet box exterior
- Recessed mounting clips included
- For decorative use only
- Complements the Estelle legs and foot

SMALL
VC36

LARGE
VC312

MEDIUM
VC49

Belhaven Corbels



SMALL

MEDIUM

LARGE

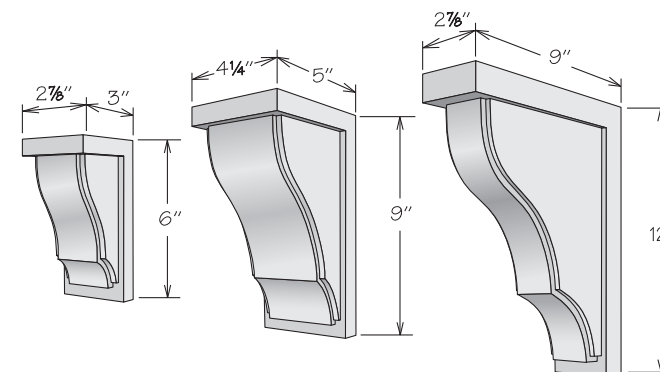
- All door styles feature solid wood finished to match cabinet box exterior
- Recessed mounting clips included
- For decorative use only
- Complements the Yates legs and foot

SMALL
BC36

LARGE
BC312

MEDIUM
BC49

Finley Corbels



SMALL

MEDIUM

LARGE

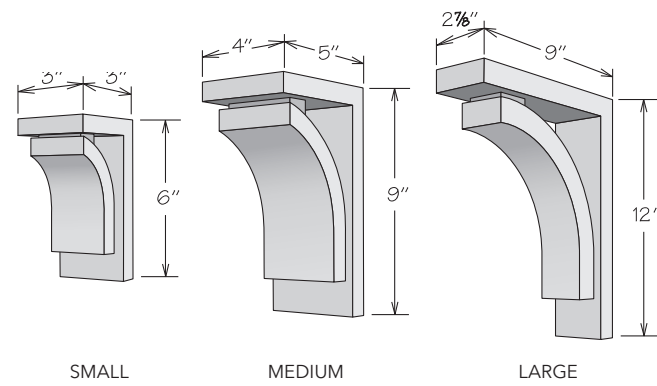
- All door styles feature solid wood finished to match cabinet box exterior
- Recessed mounting clips included
- For decorative use only
- Complements the Orlean legs and foot

SMALL
FC36

LARGE
FC312

MEDIUM
FC49

Prairie Corbels



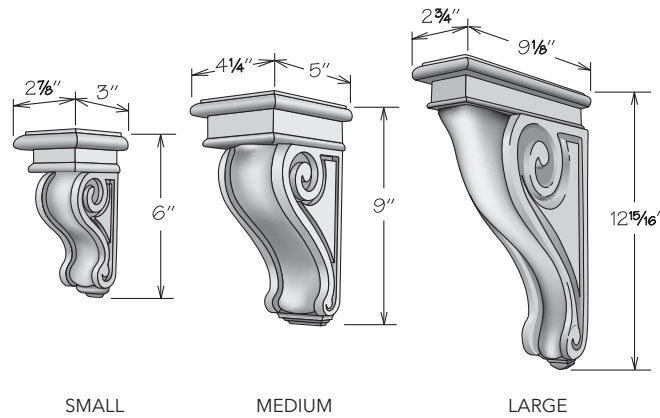
- All door styles feature solid wood finished to match cabinet box exterior
- Recessed mounting clips included
- For decorative use only
- Complements the Parker legs and foot

SMALL
PC36

LARGE
PC312

MEDIUM
PC49

Rosette Corbels



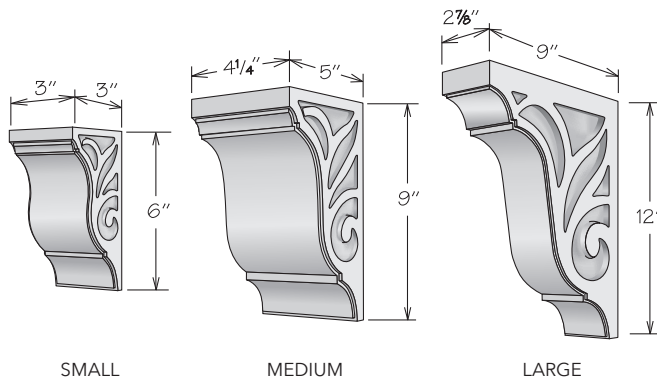
- All door styles feature solid wood finished to match cabinet box exterior
- Recessed mounting clips included
- For decorative use only
- Complements the Base Turned Leg, Accent Turned Foot, and Chantilly legs and foot

SMALL
RC36

LARGE
RC313

MEDIUM
RC49

Laurel Corbels



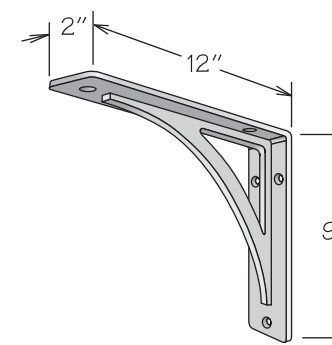
- All door styles feature solid wood finished to match cabinet box exterior
- Recessed mounting clips included
- For decorative use only
- Complements the Chantilly legs and foot

SMALL
LC36

LARGE
LC312

MEDIUM
LC49

Metal Cove Corbel

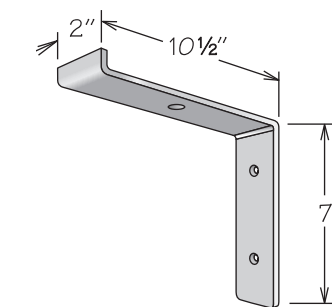


- Mounting clips included
- Can be installed using either height orientation
- For decorative use only
- Will support up to 100 lbs. when installed per included installation instructions

METAL COVE 212 VB
METAL COVE 212 MB
METAL COVE 212 SN
METAL COVE 212 PC

FINISH
Verona Bronze
Matte Black
Satin Nickel
Polished Chrome

Metal Emerson Corbel

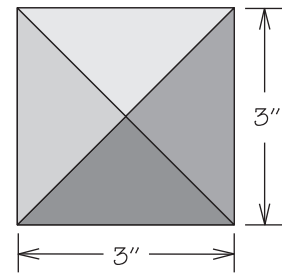


- Mounting clips included
- For decorative use only
- Will support up to 100 lbs. when installed per included installation instructions

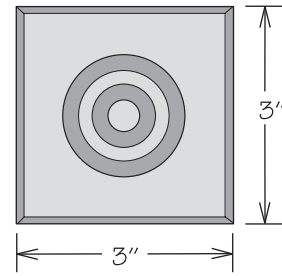
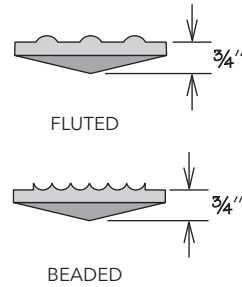
METAL EMERSON 27 VB
METAL EMERSON 27 MB
METAL EMERSON 27 SN
METAL EMERSON 27 PC

FINISH
Verona Bronze
Matte Black
Satin Nickel
Polished Chrome

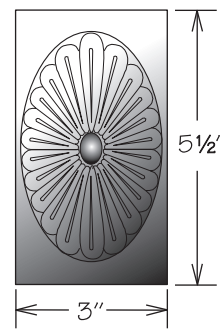
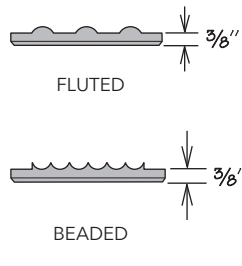
Decorative Blocks



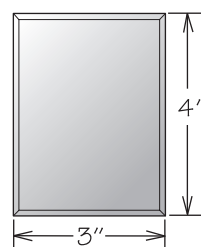
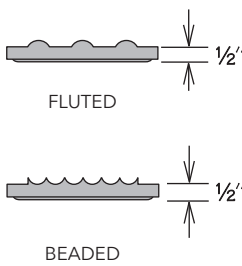
PYRAMID



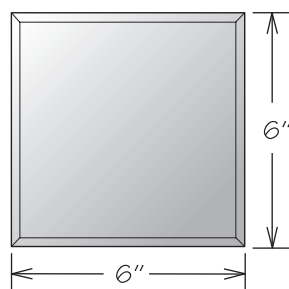
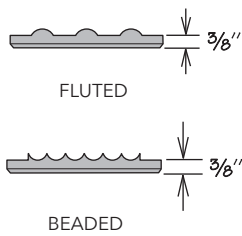
ROSETTE



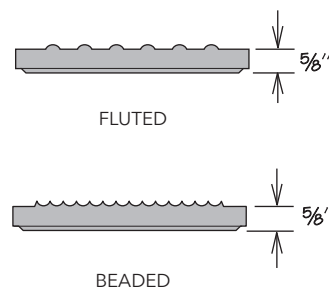
ASTER



PLINTH - 3"



PLINTH - 6"



- All door styles feature solid wood finished to match cabinet box exterior
- For use with Fluted Beaded Fillers

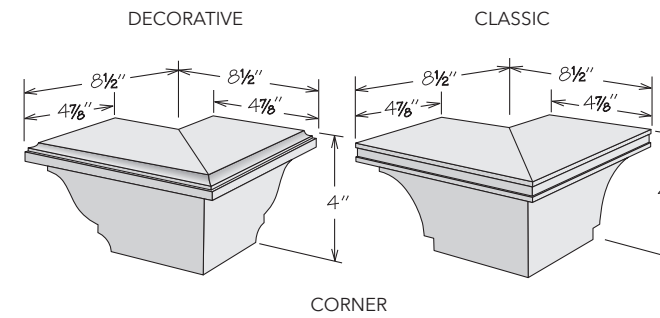
FLUTED

- Pyramid**
FB3X3 PYRAMID
- Rosette**
FB3X3 ROSETTE
- Aster**
FB3X6 ASTER
- Plinth - 3"**
FB3X4 PLINTH
- Plinth - 6"**
FB6X6 PLINTH

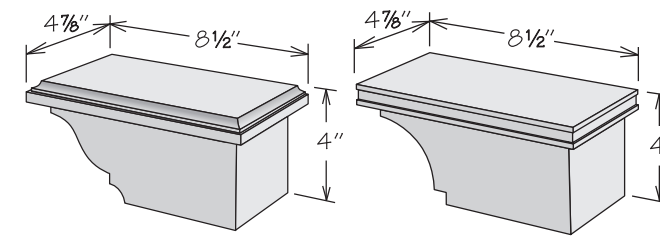
BEADED

- Pyramid**
BB3X3 PYRAMID
- Rosette**
BB3X3 ROSETTE
- Aster**
BB3X6 ASTER
- Plinth - 3"**
BB3X4 PLINTH
- Plinth - 6"**
BB6X6 PLINTH

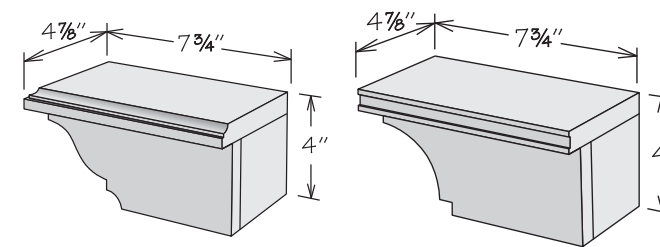
Furniture Toe Kick



CORNER



END (RIGHT SHOWN)



FLUSH (RIGHT SHOWN)

- All door styles feature solid wood finished to match cabinet box exterior
- Duraform and Thermofoil door styles use painted products
- Decorator Matching Door and Furniture End Option (FE) or BEP panel recommended
- Field trimmable in depth
- Furniture Toe Kick Corner is only for use on a cabinet with Recessed Toe Kick Option (RTK) and is reversible for left or right installation
- Furniture Toe Kick End is recommended for end-of-the-run application when space allows for an overhang and must be ordered as left or right (i.e. end-of-run not against a wall, stand alone vanity, etc.)
- Furniture Toe Kick Flush is recommended for applications that do not allow for an overhang and must be ordered as left or right (i.e. against a wall, panel, or when using a left or right together)

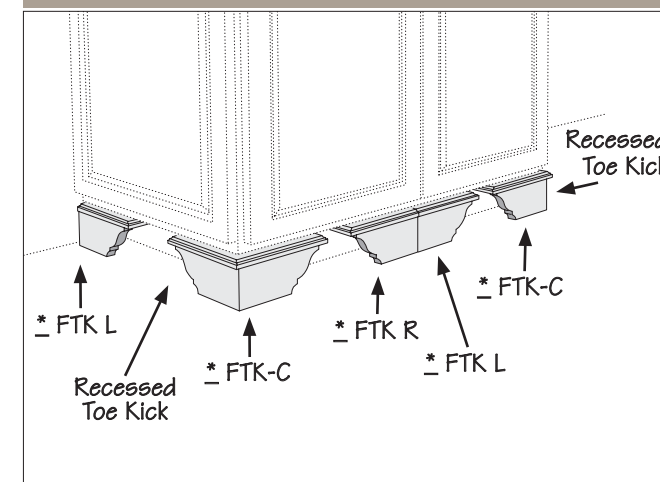
DECORATIVE

- Corner**
DFTK-C
- End**
DFTK-E L
DFTK-E R
- Flush**
DFTK L
DFTK R

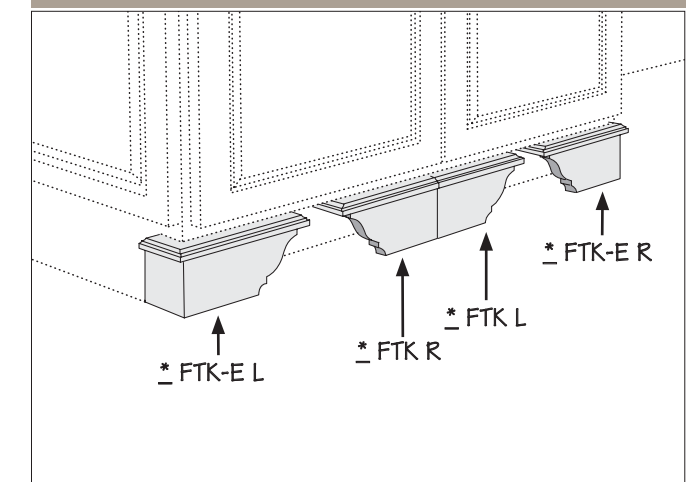
CLASSIC

- Corner**
CFTK-C
- End**
CFTK-E L
CFTK-E R
- Flush**
CFTK L
CFTK R

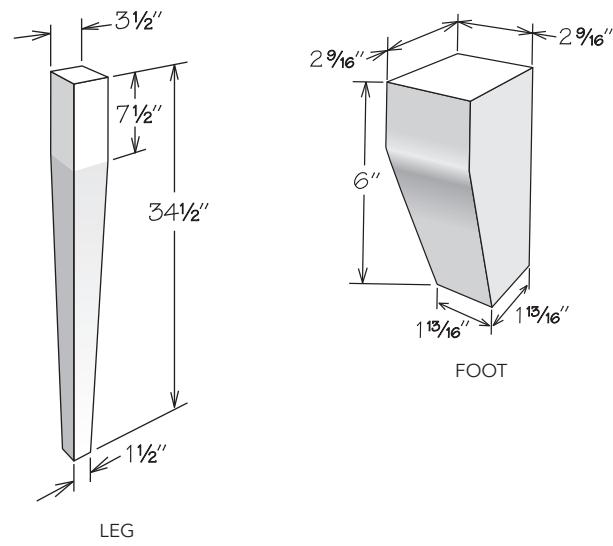
RECESSED TOE KICK APPLICATION



STANDARD TOE KICK APPLICATION



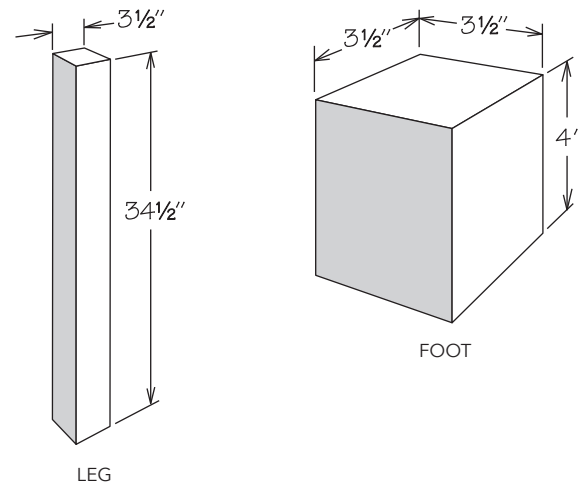
Base Tapered Leg and Foot



- All door styles feature solid wood finished to match cabinet box exterior
- Base Tapered Leg is tapered on all sides and is field trimmable
- Base Tapered Foot is tapered on two sides and is field trimmable to 4" high
- Complements the Cove corbels

LEG _____ **FOOT** _____
BTPL _____ TPF _____

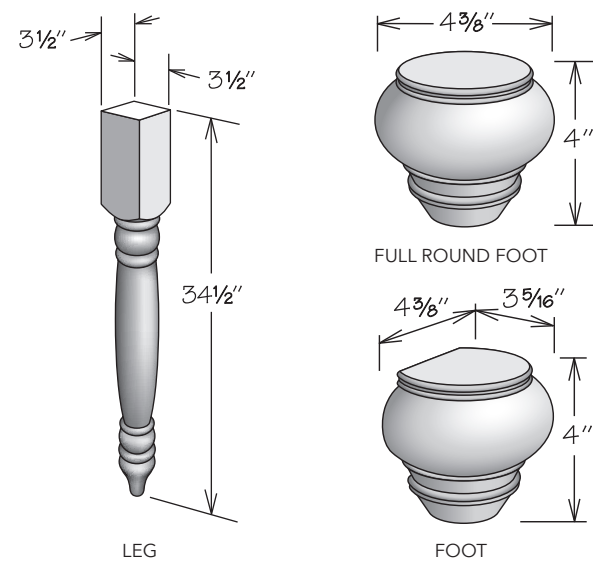
Base Square Leg and Foot



- All door styles feature solid wood finished to match cabinet box exterior
- Base Square Leg is field trimmable
- Complements the Cove corbels

LEG _____ **FOOT** _____
BSQL _____ BSQF _____

Base Turned Leg and Feet

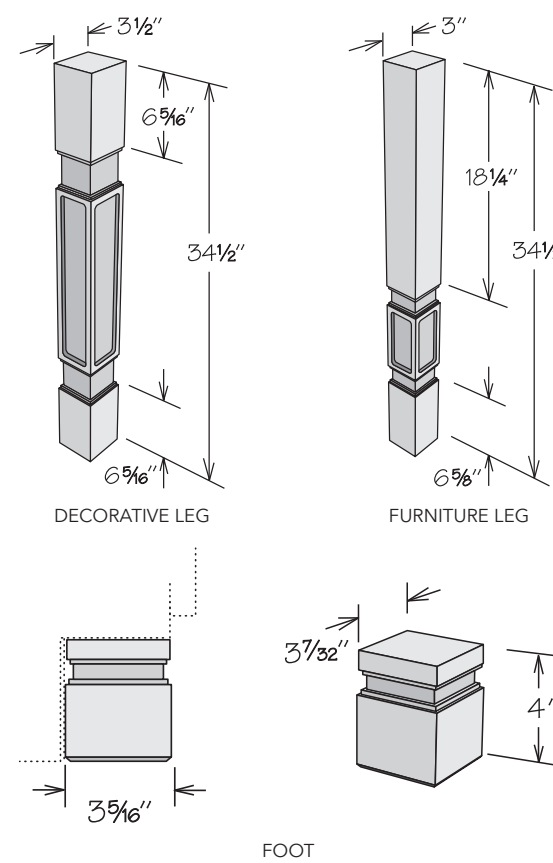


- All door styles feature solid wood finished to match cabinet box exterior
- Base Turned Leg is field trimmable to 28 1/2" high
- Complements the Rosette corbels

LEG _____ **FULL ROUND FOOT** _____
BTL _____ ATF-FR _____

FOOT _____
ATF _____

Parker Legs and Foot

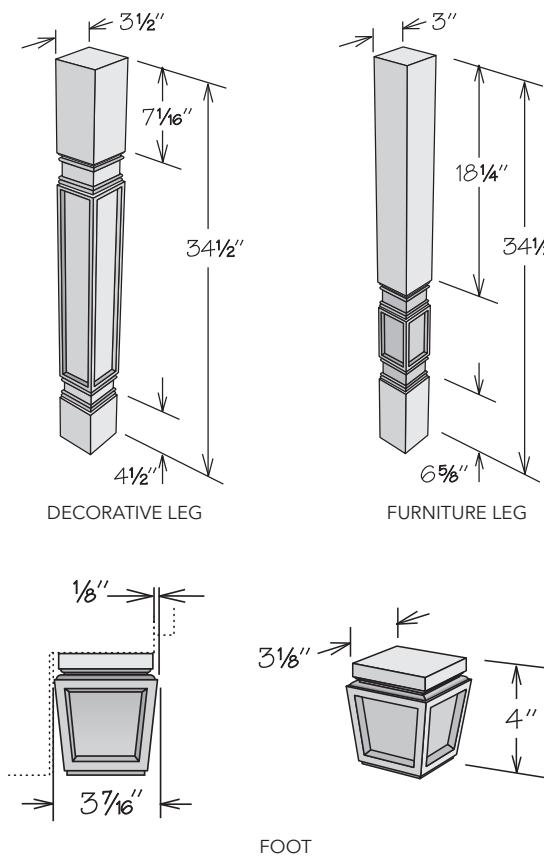


- All door styles feature solid wood finished to match cabinet box exterior
- Legs are field trimmable
- Complements the Prairie and Cove corbels

DECORATIVE LEG _____ **FURNITURE LEG** _____
PDL _____ PFL _____

FOOT _____
PDF _____

Estelle Legs and Foot

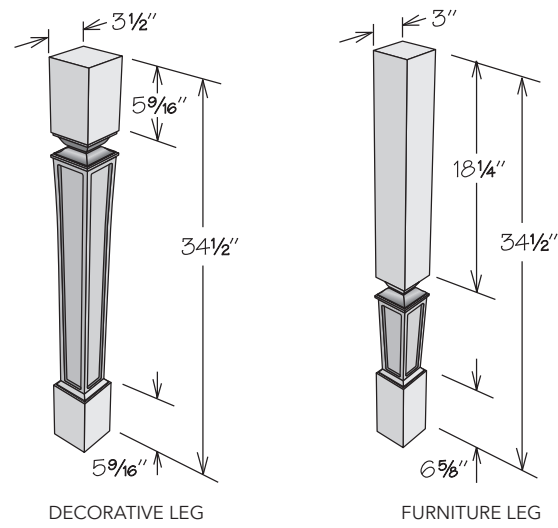


- All door styles feature solid wood finished to match cabinet box exterior
- Legs are field trimmable
- Complements the Valencia corbels

DECORATIVE LEG _____ **FURNITURE LEG** _____
EDL _____ EFL _____

FOOT _____
EDF _____

Yates Legs and Foot



- All door styles feature solid wood finished to match cabinet box exterior
- Legs are field trimmable
- Complements the Belhaven corbels

DECORATIVE LEG

YDL

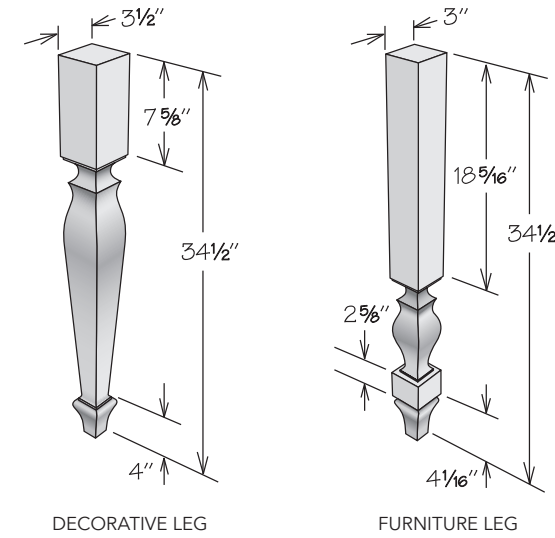
FURNITURE LEG

YFL

FOOT

YDF

Chantilly Legs and Foot



- All door styles feature solid wood finished to match cabinet box exterior
- Legs are field trimmable
- Complements the Laurel and Rosette corbels

DECORATIVE LEG

CDL

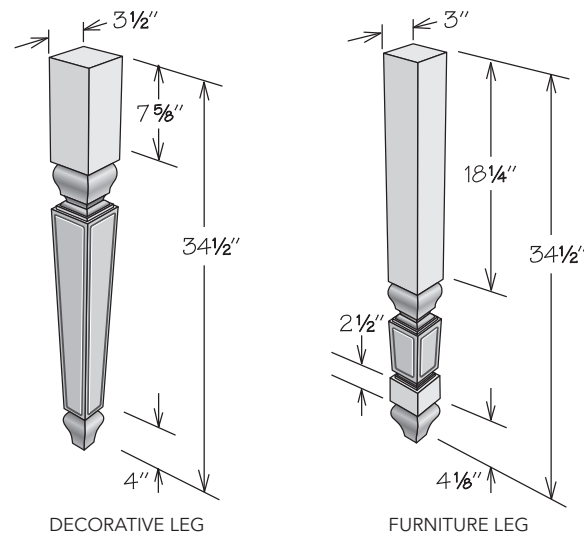
FURNITURE LEG

CFL

FOOT

CDF

Orlean Legs and Foot



- All door styles feature solid wood finished to match cabinet box exterior
- Legs are field trimmable
- Complements the Finley corbels

DECORATIVE LEG

ODL

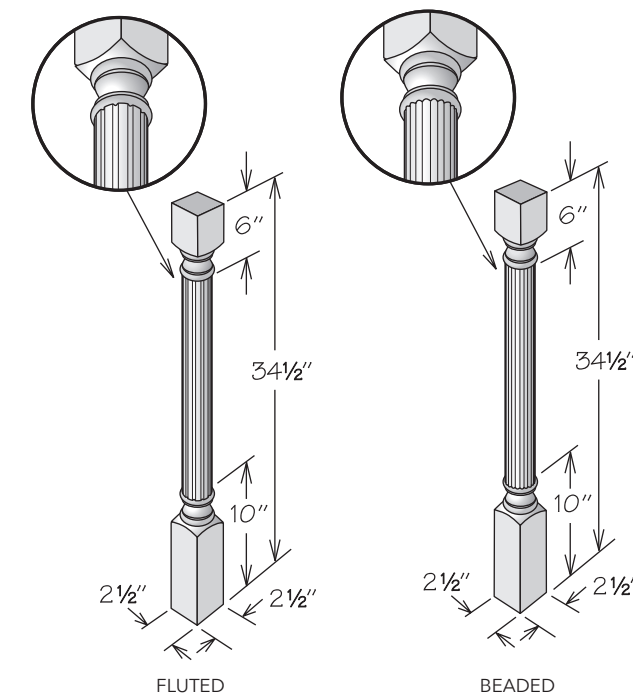
FURNITURE LEG

OFL

FOOT

ODF

Full Turned Post



- All door styles feature solid wood finished to match cabinet box exterior
- Field trimmable to 28 1/2" high

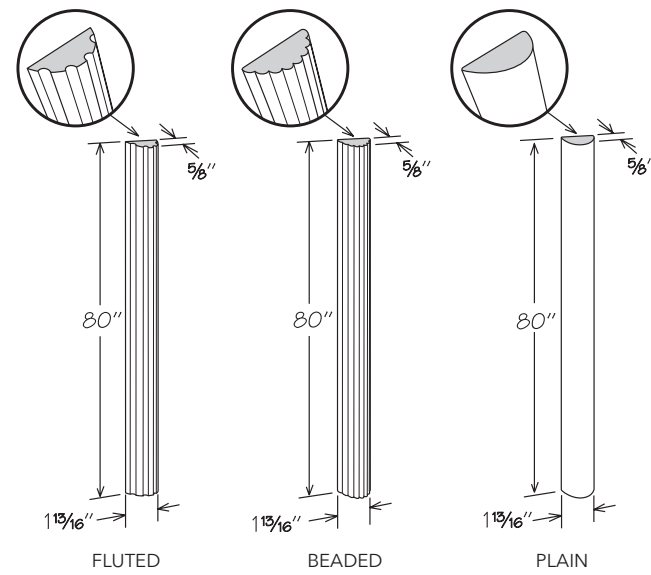
FLUTED

POST234 F

BEADED

POST234 B

Split Post



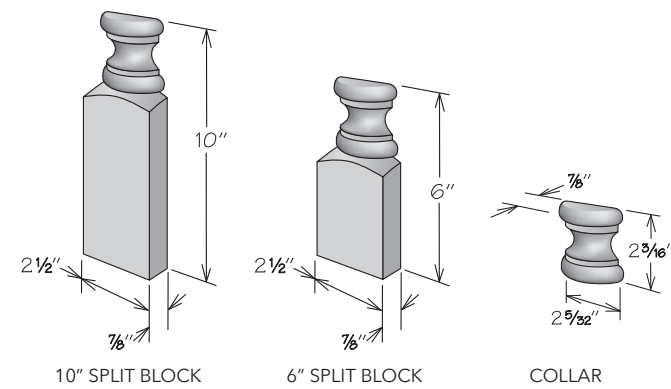
- All door styles feature solid wood finished to match cabinet box exterior
- Field trimmable
- Use with Traditional Split Blocks and Collar to create design element
- Must be mounted to a Universal Filler (order separately)

FLUTED
SPLT POST80 F

BEADED
SPLT POST80 B

PLAIN
SPLT POST80 P

Traditional Split Collar and Blocks



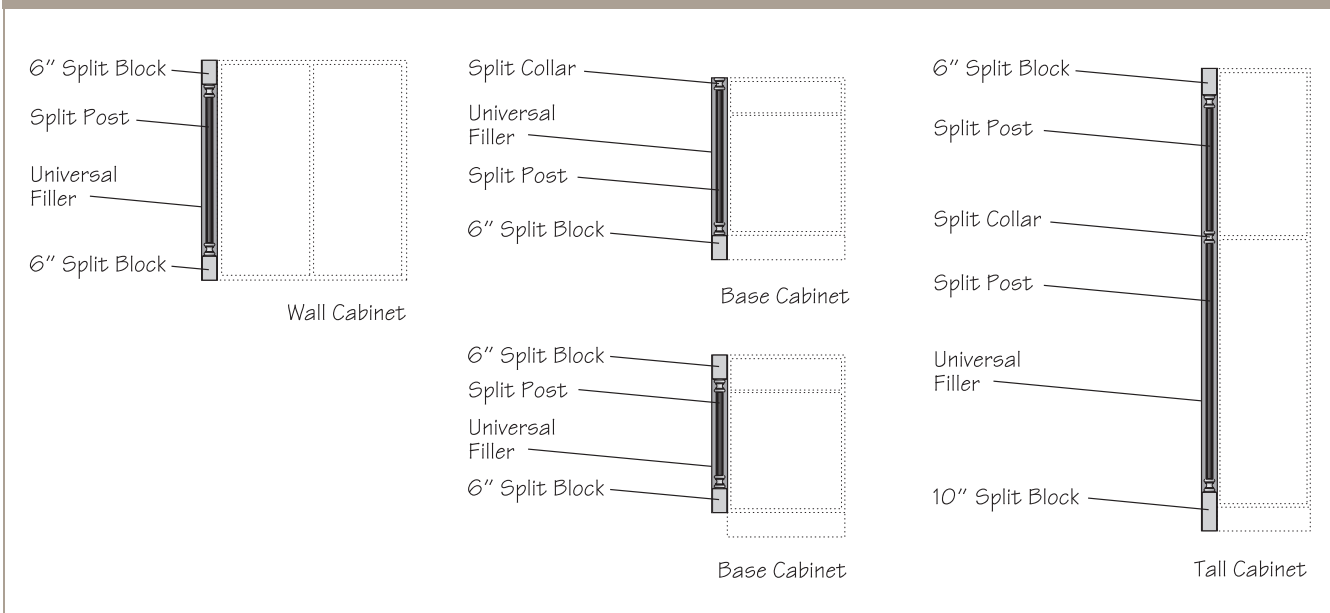
- All door styles feature solid wood finished to match cabinet box exterior
- For floor or wall application
- Use with Split Post, 6" or 10" Traditional Split Block and Traditional Split Collar to create design element
- Must be mounted to a Universal Filler (order separately)

10" SPLIT BLOCK
SPLT BLOCK210 T

COLLAR
SPLT COLLAR T

6" SPLIT BLOCK
SPLT BLOCK26 T

SUGGESTED DESIGN APPLICATIONS



DECORATIVE HARDWARE



Timberlake does not recommend drilling through any door/drawer joint for installation of decorative hardware. Door and drawer fronts must be adjusted before installing decorative hardware. Some decorative hardware has restrictions for use on certain door styles which will be indicated with restriction-specific icons followed by the door style(s) that have the restriction.

RESTRICTION KEY

- NR12** Not recommended on 12" drawers
- NR15** Not recommended on drawers 15" or less
- NR18** Not recommended on drawers 18" or less
- NRKDC** Not recommended on kneehole drawers
- NR** Not recommended for any size drawer

HARDWARE RESTRICTION EXAMPLE

- NR12** New Haven w/ DFO, Windsor w/ DFO
- NR15** Sierra Vista, Charleston

EXPLANATION: This specific hardware is not recommended on:

- 12" drawers for the New Haven w/ DFO and Windsor w/ DFO door styles
- 15" or less drawers for the Sierra Vista and Charleston door styles

Classic



**Classic Pull
Satin Nickel**
PULL 3172SN

3" Center • Overall Length: 5 5/8"



**Classic Pull
Polished Chrome**
PULL 3172PC

3" Center • Overall Length: 5 5/8"



**Classic Pull
Verona Bronze**
PULL 3172VB

3" Center • Overall Length: 5 5/8"



**Classic Pull
Patina**
PULL 3172P

3" Center • Overall Length: 5 5/8"

NR12 Charleston, Kinsdale, Maddox w/ DFO, Sierra Vista, Windsor w/ DFO



**Classic Knob
Satin Nickel**
KNOB 3173SN



**Classic Knob
Polished Chrome**
KNOB 3173PC



**Classic Knob
Weathered Nickel**
KNOB 3173WN



**Classic Knob
Verona Bronze**
KNOB 3173VB



**Classic Knob
Patina**
KNOB 3173P

Ringed



**Ringed Arch Pull
Verona Bronze**
PULL 3672VB

3" Center • Overall Length: 5 1/2"



**Ringed Arch Pull
Matte Black**
PULL 3672MB

3" Center • Overall Length: 5 1/2"



**Ringed Knob
Verona Bronze**
KNOB 3673VB



**Ringed Knob
Matte Black**
KNOB 3673MB

NR12 Charleston, Downing, Maddox w/ DFO, New Haven w/ DFO, Sierra Vista, Windsor w/ DFO

Beaded



**Beaded Pull
Satin Nickel**
PULL 3562SN

96mm Center • Overall Length: 4 1/2"



**Beaded Pull
Polished Nickel**
PULL 3562PN

96mm Center • Overall Length: 4 1/2"



**Beaded Pull
Weathered Nickel**
PULL 3562WN

96mm Center • Overall Length: 4 1/2"



**Beaded Pull
Verona Bronze**
PULL 3562VB

96mm Center • Overall Length: 4 1/2"

NR12 Charleston, Sierra Vista, Windsor w/ DFO

Sculpted NEW FINISHES



**Sculpted Pull
Modern Brushed Gold**
PULL 4302MG

96mm Center • Overall Length: 4 5/8"



**Sculpted Pull
Satin Nickel**
PULL 4302SN

96mm Center • Overall Length: 4 5/8"



**Sculpted Pull
Verona Bronze**
PULL 4302VB

96mm Center • Overall Length: 4 5/8"



**Sculpted Pull
Matte Black**
PULL 4302MB

96mm Center • Overall Length: 4 5/8"

NR12 Charleston, Sierra Vista, Windsor w/ DFO



**Sculpted Knob
Modern Brushed Gold**
KNOB 4303MG



**Sculpted Knob
Satin Nickel**
KNOB 4303SN



**Sculpted Knob
Verona Bronze**
KNOB 4303VB



**Sculpted Knob
Matte Black**
KNOB 4303MB

Twist



**Twist Pull
French Nickel**
PULL 3101FN

5" Center • Overall Length: 5 13/16"



**Twist Pull
Verona Bronze**
PULL 3101VB

5" Center • Overall Length: 5 13/16"



**Twist Knob
French Nickel**
KNOB 3102FN



**Twist Knob
Verona Bronze**
KNOB 3102VB

NR12 Charleston, Downing, Kinsdale, Maddox w/ DFO, New Haven w/ DFO, Sierra Vista, Windsor w/ DFO

Stamped



**Stamped Knob
Satin Nickel**
KNOB 3563SN



**Stamped Knob
Polished Nickel**
KNOB 3563PN



**Stamped Knob
Weathered Nickel**
KNOB 3563WN



**Stamped Knob
Verona Bronze**
KNOB 3563VB

Square NEW FINISHES



Square Pull
Modern Brushed Gold
PULL 4112MG

128mm Center • Overall Length: 5 7/8"

Square Pull
Polished Chrome
PULL 4112PC

128mm Center • Overall Length: 5 7/8"

Square Pull
Satin Nickel
PULL 4112SN

128mm Center • Overall Length: 5 7/8"

Square Pull
Matte Black
PULL 4112MB

128mm Center • Overall Length: 5 7/8"

NR12 Charleston, Downing, Maddox w/ DFO, New Haven w/ DFO, Sierra Vista, Windsor w/ DFO



Square Knob
Modern Brushed Gold
KNOB 4113MG



Square Knob
Polished Chrome
KNOB 4113PC



Square Knob
Satin Nickel
KNOB 4113SN



Square Knob
Matte Black
KNOB 4113MB

Piped



Piped Pull
Satin Nickel
PULL 3582SN

4" Center • Overall Length: 4 3/4"

Piped Pull
Verona Bronze
PULL 3582VB

4" Center • Overall Length: 4 3/4"

Piped Knob
Satin Nickel
KNOB 3583SN

Piped Knob
Verona Bronze
KNOB 3583VB

NR12 Charleston, Sierra Vista, Windsor w/ DFO

Contemporary



Contemporary Pull
Satin Nickel
PULL 4102SN

128mm Center • Overall Length: 5 7/8"

Contemporary Pull
Verona Bronze
PULL 4102VB

128mm Center • Overall Length: 5 7/8"

Contemporary Knob
Satin Nickel
KNOB 4103SN

NR Sierra Vista

Contemporary Knob
Verona Bronze
KNOB 4103VB

NR12 Charleston, Downing, Maddox w/ DFO, New Haven w/ DFO, Sierra Vista, Windsor w/ DFO

Decorative Vine



Decorative Vine Pull
Vintage Nickel
PULL 3552VN

3" or 3 1/2" Center • Overall Length: 5 1/4"

Decorative Vine Knob
Vintage Nickel
KNOB 3553VN

NR12 Charleston, Sierra Vista, Windsor w/ DFO

Rustic



Rustic Pull
Rubbed Bronze
PULL 3337RB

5" Center • Overall Length: 6"

Rustic Knob
Rubbed Bronze
KNOB 3336RB

NR12 Downing, Kinsdale, Maddox w/ DFO, New Haven w/ DFO, Windsor w/ DFO

NR15 Charleston, Sierra Vista

Pillow



Pillow Pull
Satin Nickel
PULL 3512SN

96mm Center • Overall Length: 5 3/8"

Pillow Knob
Satin Nickel
KNOB 3513SN

NR12 Charleston, Downing, Maddox w/ DFO, Sierra Vista, Windsor w/ DFO

Cathedral



Cathedral Pull - 5 1/2"
Polished Nickel
PULL 4202PN

96mm Center • Overall Length: 5 1/2"

Cathedral Pull - 4 3/4"
Verona Bronze
PULL 3572VB

3" Center • Overall Length: 4 3/4"

NR12 Charleston, Downing, Maddox w/ DFO, New Haven w/ DFO, Sierra Vista

NR12 Charleston, Sierra Vista, Windsor w/ DFO

Pyramid



Pyramid Pull
Verona Bronze
PULL 4402VB

160mm Center • Overall Length: 6 7/8"

Pyramid Knob
Verona Bronze
KNOB 4403VB

NR12 Downing, Maddox w/ DFO, New Haven w/ DFO, Windsor w/ DFO

NR15 Charleston, Sierra Vista

Geometric



Geometric Pull
Satin Nickel
PULL 3542SN

96mm Center • Overall Length: 4 7/8"

Geometric Knob
Satin Nickel
KNOB 3543SN

NR12 Charleston, Sierra Vista, Windsor w/ DFO

Turned



Turned Pull
Brushed Tin
PULL 3328BT

5" Center • Overall Length: 5 1/8"

Turned Knob
Brushed Tin
KNOB 3327BT

NR12 Downing, Kinsdale, Sierra Vista, Maddox w/ DFO, New Haven w/ DFO, Windsor w/ DFO

NR15 Charleston, Sierra Vista

NR Charleston, Sierra Vista

Arched



Arched Pull
Satin Nickel
PULL 3652SN

3" Center • Overall Length: 4 7/8"

Arched Pull
Verona Bronze
PULL 3652VB

3" Center • Overall Length: 4 7/8"

NR12 Charleston, Sierra Vista, Windsor w/ DFO

Rectangular NEW | FINISH



**Rectangular Pull
Modern Brushed Gold**
PULL 3502MG

96mm Center • Overall Length: 4 13/16"

NR Kinsdale, Sierra Vista

NR12 Windsor w/ DFO



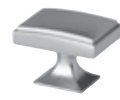
**Rectangular Pull
Satin Nickel**
PULL 3502SN

96mm Center • Overall Length: 4 13/16"



**Rectangular Knob
Modern Brushed Gold**
KNOB 3503MG

NR Kinsdale, Sierra Vista



**Rectangular Knob
Satin Nickel**
KNOB 3503SN



**Rectangular Pull
Polished Nickel**
PULL 3502PN

96mm Center • Overall Length: 4 13/16"

NR Kinsdale, Sierra Vista

NR12 Windsor w/ DFO



**Rectangular Pull
Verona Bronze**
PULL 3502VB

96mm Center • Overall Length: 4 13/16"



**Rectangular Knob
Polished Nickel**
KNOB 3503PN

NR Kinsdale, Sierra Vista



**Rectangular Knob
Verona Bronze**
KNOB 3503VB



**Rectangular Pull
Weathered Verona Bronze**
PULL 3502WVB

96mm Center • Overall Length: 4 13/16"

NR Kinsdale, Sierra Vista

NR12 Windsor w/ DFO



**Rectangular Pull
Matte Black**
PULL 3502MB

96mm Center • Overall Length: 4 13/16"



**Rectangular Knob
Weathered Verona Bronze**
KNOB 3503WVB

NR Kinsdale, Sierra Vista



**Rectangular Knob
Matte Black**
KNOB 3503MB

Modern



**Modern Pull
Satin Nickel**
PULL 3532SN

96mm Center • Overall Length: 4 7/8"

NR Sierra Vista

NR12 Windsor w/ DFO



**Modern Pull
Oiled Bronze**
PULL 3532OB

96mm Center • Overall Length: 4 7/8"

Tailored



**Tailored Knob
Satin Nickel**
KNOB 3533SN



**Tailored Knob
Oiled Bronze**
KNOB 3533OB

Slotted



**Slotted Pull - 7"
Satin Nickel**
PULL 3127SN

5" Center • Overall Length: 7"

NR12 Downing, Maddox w/ DFO, New Haven w/ DFO, Windsor w/ DFO

NR15 Charleston, Sierra Vista



**Slotted Pull - 5 1/4"
Satin Nickel**
PULL 3125SN

96mm Center • Overall Length: 5 1/4"

NR12 Charleston, Sierra Vista, Windsor w/ DFO



**Slotted Pull - 4 1/2"
Satin Nickel**
PULL 3123SN

3" Center • Overall Length: 4 1/2"



**Slotted Pull - 5 1/4"
Polished Chrome**
PULL 3125PC

96mm Center • Overall Length: 5 1/4"

Elliptical



**Elliptical Knob
Satin Nickel**
KNOB 3124SN



**Elliptical Knob
Polished Chrome**
KNOB 3124PC

Domed



**Domed Knob
Polished Nickel**
KNOB 4203PN



**Domed Knob
Verona Bronze**
KNOB 3573VB

Bow



**Bow Pull - 7 3/4"
Satin Nickel**
PULL 3129SN

5" Center • Overall Length: 7 3/4"

NR12 Downing, Charleston, Kinsdale, Maddox w/ DFO, New Haven w/ DFO, Sierra Vista, Windsor w/ DFO



**Bow Pull - 7 3/4"
Modern Bronze**
PULL 3129B

5" Center • Overall Length: 7 3/4"



**Bow Pull - 7 3/4"
Verona Bronze**
PULL 3129VB

5" Center • Overall Length: 7 3/4"



**Bow Pull - 6 1/8"
Satin Nickel**
PULL 3128SN

96mm Center • Overall Length: 6 1/8"

NR12 Charleston, Maddox w/ DFO, Sierra Vista, Windsor w/ DFO

Tab



**Tab Pull - 9"
Satin Nickel**
PULL 1065SN
Overall Length: 9"



**Tab Pull - 6"
Satin Nickel**
PULL 1061SN
Overall Length: 6"



**Tab Pull - 3"
Satin Nickel**
PULL 1057SN
Overall Length: 3"



**Tab Pull - 1 3/4"
Satin Nickel**
PULL 1052SN
Overall Length: 1 3/4"

T-Bar NEW FINISHES



<p>T-Bar Pull - 12 3/8" Modern Brushed Gold PULL 4730MG 256mm Center Overall Length: 12 3/8"</p>	<p>T-Bar Pull - 12 3/8" Polished Chrome PULL 4730PC 256mm Center Overall Length: 12 3/8"</p>	<p>T-Bar Pull - 12 3/8" Satin Nickel PULL 4730SN 256mm Center Overall Length: 12 3/8"</p>	<p>T-Bar Pull - 12 3/8" Verona Bronze PULL 4730VB 256mm Center Overall Length: 12 3/8"</p>	<p>T-Bar Pull - 12 3/8" Matte Black PULL 4730MB 256mm Center Overall Length: 12 3/8"</p>
---	--	---	--	---

- NR12** Any door style
- NR15** Downing, Kinsdale, Maddox w/ DFO, New Haven w/ DFO, Windsor w/ DFO
- NR18** Charleston, Sierra Vista



<p>T-Bar Pull - 9 7/8" Polished Chrome PULL 4722PC 192mm Center • Overall Length: 9 7/8"</p>	<p>T-Bar Pull - 9 7/8" Satin Nickel PULL 4722SN 192mm Center • Overall Length: 9 7/8"</p>	<p>T-Bar Pull - 9 7/8" Verona Bronze PULL 4722VB 192mm Center • Overall Length: 9 7/8"</p>
---	--	---

- NR12** Downing, Kinsdale, Maddox w/ DFO, New Haven w/ DFO, Windsor w/ DFO
- NR12** Charleston, Sierra Vista



<p>T-Bar Pull - 8 5/8" Modern Brushed Gold PULL 4712MG 160mm Center Overall Length: 8 5/8"</p>	<p>T-Bar Pull - 8 5/8" Polished Chrome PULL 4712PC 160mm Center Overall Length: 8 5/8"</p>	<p>T-Bar Pull - 8 5/8" Satin Nickel PULL 4712SN 160mm Center Overall Length: 8 5/8"</p>	<p>T-Bar Pull - 8 5/8" Verona Bronze PULL 4712VB 160mm Center Overall Length: 8 5/8"</p>	<p>T-Bar Pull - 8 5/8" Matte Black PULL 4712MB 160mm Center Overall Length: 8 5/8"</p>
---	--	---	--	---

- NR12** Downing, Maddox w/ DFO, New Haven w/ DFO, Windsor w/ DFO
- NR15** Charleston, Sierra Vista



<p>T-Bar Pull - 7 3/8" Polished Chrome PULL 4702PC 128mm Center • Overall Length: 7 3/8"</p>	<p>T-Bar Pull - 7 3/8" Satin Nickel PULL 4702SN 128mm Center • Overall Length: 7 3/8"</p>	<p>T-Bar Pull - 7 3/8" Verona Bronze PULL 4702VB 128mm Center • Overall Length: 7 3/8"</p>
---	--	---

- NR12** Charleston, Downing, Maddox w/ DFO, New Haven w/ DFO, Sierra Vista, Windsor w/ DFO

T-Bar NEW FINISHES



<p>T-Bar Pull - 5 1/4" Modern Brushed Gold PULL 4701MG 3" Center Overall Length: 5 1/4"</p>	<p>T-Bar Pull - 5 1/4" Polished Chrome PULL 4701PC 3" Center Overall Length: 5 1/4"</p>	<p>T-Bar Pull - 5 1/4" Satin Nickel PULL 4701SN 3" Center Overall Length: 5 1/4"</p>	<p>T-Bar Pull - 5 1/4" Verona Bronze PULL 4701VB 3" Center Overall Length: 5 1/4"</p>	<p>T-Bar Pull - 5 1/4" Matte Black PULL 4701MB 3" Center Overall Length: 5 1/4"</p>
--	---	--	---	--

- NR12** Charleston, Maddox w/ DFO, Sierra Vista, Windsor w/ DFO



<p>T-Bar Knob Modern Brushed Gold KNOB 4703MG</p>	<p>T-Bar Knob Polished Chrome KNOB 4703PC</p>	<p>T-Bar Knob Satin Nickel KNOB 4703SN</p>	<p>T-Bar Knob Verona Bronze KNOB 4703VB</p>	<p>T-Bar Knob Matte Black KNOB 4703MB</p>
--	---	--	---	--

Cup



<p>Cup Pull Satin Nickel PULL 3105SN 3" Center • Overall Length: 4 5/8"</p>	<p>Cup Pull Weathered Nickel PULL 3105WN 3" Center • Overall Length: 4 5/8"</p>	<p>Cup Pull Verona Bronze PULL 3105VB 3" Center • Overall Length: 4 5/8"</p>
--	--	---

- NR** Charleston, Kinsdale, Sierra Vista
- NRKDC** Maddox w/ DFO, New Haven w/ DFO

Rounded Cup



<p>Rounded Cup Pull Satin Nickel PULL 3107SN 3" Center • Overall Length: 3 3/8"</p>	<p>Rounded Cup Pull Weathered Nickel PULL 3107WN 3" Center • Overall Length: 3 3/8"</p>	<p>Rounded Cup Pull Verona Bronze PULL 3107VB 3" Center • Overall Length: 3 3/8"</p>
--	--	---

- NR** Charleston, Kinsdale, Sierra Vista
- NRKDC** Maddox w/ DFO, New Haven w/ DFO

Contour



**Flat Contour Pull
Satin Nickel**
PULL 3230SN

96mm Center • Overall Length: 5 1/4"



**Flat Contour Pull
Weathered Nickel**
PULL 3230WN

96mm Center • Overall Length: 5 1/4"



**Flat Contour Pull
Oiled Bronze**
PULL 3230OB

96mm Center • Overall Length: 5 1/4"

NR12 Charleston, Kinsdale, Maddox w/ DFO, Sierra Vista, Windsor w/ DFO

Reeded



Reeded Pull - 6 3/8"
Verona Bronze
PULL 3332VB

5" Center • Overall Length: 6 3/8"



Reeded Pull - 5"
Verona Bronze
PULL 3331VB

3 3/4" Center • Overall Length: 5"



**Reeded Knob
Verona Bronze**
KNOB 3330VB

NR12 Downing, Charleston, Maddox w/ DFO, New Haven w/ DFO, Sierra Vista, Windsor w/ DFO

NR12 Charleston, Maddox w/ DFO, Sierra Vista, Windsor w/ DFO

Barrel



Barrel Pull - 5 1/2"
Verona Bronze
PULL 3079VB

5" Center • Overall Length: 5 1/2"



Barrel Pull - 4 5/16"
Verona Bronze
PULL 3078VB

3 3/4" Center • Overall Length: 4 5/16"

NR12 Charleston, Downing, Kinsdale, Maddox w/ DFO, New Haven w/ DFO, Sierra Vista, Windsor w/ DFO,

NR12 Charleston, Sierra Vista, Windsor w/ DFO

Stainless Steel



Stainless Steel Pull - 6 3/4"
Stainless Steel
PULL 4213SS

160mm Center • Overall Length: 6 3/4"



Stainless Steel Pull - 5 1/2"
Stainless Steel
PULL 4212SS

128mm Center • Overall Length: 5 1/2"

NR12 Downing, Maddox w/ DFO, New Haven w/ DFO, Windsor w/ DFO

NR15 Charleston, Sierra Vista

NR12 Downing, Charleston, Maddox w/ DFO, New Haven w/ DFO, Sierra Vista, Windsor w/ DFO

Beveled



**Beveled Knob
Verona Bronze**
KNOB 3103VB

Toggle



**Toggle Knob
Satin Nickel**
KNOB 3239SN

Twisted Crescent



**Twisted Crescent Pull
Satin Nickel**
PULL 3122SN

96mm Center • Overall Length: 5 1/8"

NR12 Charleston, Maddox w/ DFO, Sierra Vista, Windsor w/ DFO

Oval



**Oval Knob
Satin Nickel**
KNOB 3653SN



**Oval Knob
Verona Bronze**
KNOB 3653VB

Button



**Button Knob Wide Base
Satin Nickel**
KNOB 0927SN



**Button Knob
Satin Nickel**
KNOB 3213SN



**Button Knob
Patina**
KNOB 3213P

NR Sierra Vista

Rope



**Rope Knob
Satin Nickel**
KNOB 3231SN



**Rope Knob
Weathered Nickel**
KNOB 3231WN



**Rope Knob
Oiled Bronze**
KNOB 3231OB

Coat Hooks



**Satin Nickel
HOOK SN**
3 1/8" Deep • 4" High

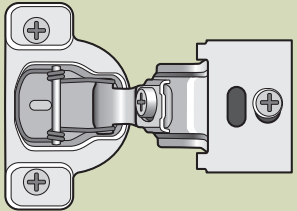
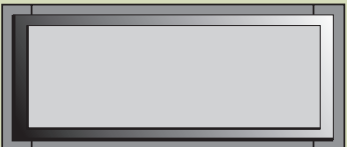
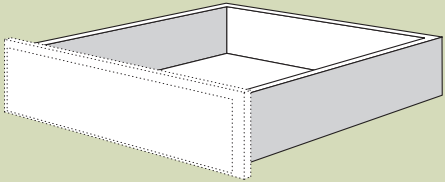
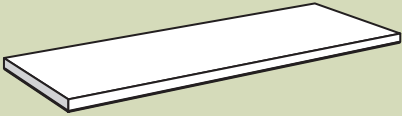
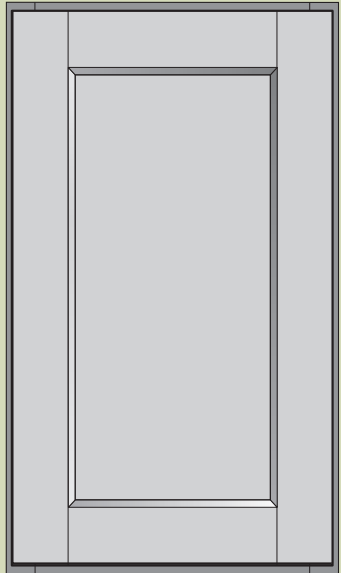


**Polished Chrome
HOOK PC**
3 1/8" Deep • 4" High



**Verona Bronze
HOOK VB**
3 1/8" Deep • 4" High

PARTS DIRECTORY



Also available at www.timberlake.com/parts

Legend

DOOR NOMENCLATURE LEGEND		
Description:		Examples:
DR_	Door - must be ordered as hinged left, right or no drill	SKU: DR1230 Option: Left Hinge
DR_SD	Specialty Door - must be ordered as Aluminum Frame, Horizontal Frame, Mullion Frame, Open Frame or Prairie Frame and as hinged left, right or no drill	SKU: DR1230 SD Option: PFD-Prairie Frame Door Option: Left Hinge
DR_FH	Full-Height Door - used for Full-Height Base, Full-Height Peninsula Base and Full-Height Vanity Base cabinets and must be ordered as hinged left, right or no drill	SKU: DR15 FH Option: Left Hinge
DR_V	Standard Height Vanity Door - must be ordered as hinged left, right or no drill	SKU: DR1821V Option: Right Hinge

DRAWER/PANEL FRONT NOMENCLATURE		
Description:		Examples:
DDF_	Drawer Front - used for Base, Desk, Oven or Vanity standard cabinet drawer	DDF12
DDF_D	Large Drawer Front - used for Standard Overlay Base, Desk, Oven or Vanity large cabinet drawer	DDF12D
DDF_M	Large Drawer Front - used for Full Overlay Base, Desk, Oven or Vanity large cabinet drawer	DDF12M
DDF_VD	Vanity Large Drawer Front - used for Full Overlay Vanity large cabinet drawer	DDF12VD
DDFKDC_	Kneehole Drawer Front - used for Kneehole cabinet drawer	DDFKDC27/21

DRAWER BODY NOMENCLATURE		
Description:		Examples:
DRB_DT FD	Dovetail Drawer Box - for use with full-extension hidden glides	DRB12 X 21DP DT FD
DRB_DT SG	Dovetail Drawer Box - for use with side-mounted drawer glides	DRB12 X 18DP DT SG
DRB_M DT FD	Large Dovetail Drawer Box - for use with full-extension hidden glides	DRB12M X 21DP DT FD
DRB_M DT SG	Large Dovetail Drawer Box - for use with side-mounted drawer glides	DRB12M X 18DP DT SG

ADJUSTABLE SHELVING NOMENCLATURE		
Description:		Examples:
_ " SHELF ¾	Adjustable Shelf - standard construction	12" SHELF ¾
_ " SHELF MI	For standard construction Matching Interior ¾" Adjustable Shelf, replace ¾ with MI	12" SHELF MI
_ " SHELF PLY	For All Plywood Construction ¾" Adjustable Shelf, replace ¾ with PLY NOTE: All Base Cabinet shelves with the All Plywood Construction Option will default to 24" deep	12" SHELF PLY 12" SHELF 24DP PLY
_ " SHELF MI PLY	For All Plywood Construction ¾" Matching Interior Adjustable Shelf, replace ¾ with MI PLY	12" SHELF MI PLY
S _	¾" Adjustable Shelf - used for standard construction Utility, Oven or Vanity Linen cabinets with standard interior	S3024
	¾" Matching Interior AND/OR All Plywood Adjustable Shelf - used for Matching Interior AND/OR All Plywood Construction Utility, Oven or Vanity Linen cabinets, order with Matching Interior AND/OR All Plywood Construction Option(s)	SKU: S3024 Option: MI - Matching Interior AND/OR Option: APC - All Plywood Construction

Adjustable Shelving Notes:
Microwave Wall Cabinet replacement shelves feature Matching Interior standard

Contents

WALL CABINETS

Standard Wall	222
Wall with Spice Rack	223
Peninsula Wall	224
Blind Wall, Blind Peninsula Wall, Wall End Angle	225
Wall Top Hinge, Corner Wall with Tambour, Corner Wall, Peninsula Corner Wall	226
Refrigerator Wall	227
Microwave Wall, Compact Microwave Wall, Wall Range Hood, Wall Easy Reach	228

BASE CABINETS

Standard Base, Base with Sliding Shelves	229
Base with Base Pot & Pan Organizer Cabinet, Peninsula Base, Blind Corner, Base with Drawer Accessory	230
Base with Door Accessory, Base with Roll-Out Tray Divider, Base with Wastebasket(s), Blind Peninsula Corner	231
Full-Height Base, Full-Height Base with Accessory, Full-Height Base with Sliding Shelves	232
Full-Height Base with Wastebasket(s), Base End Angle, Full-Height Peninsula Base	232
Furniture Drawers, Pedestal Drawers	233
Two Drawer Bases, Three Drawer Bases, Three Drawer Base with Drawer Accessory	234
Four Drawer Bases, Four Drawer Base with Drawer Accessory	235
Base Microwave Cabinet, Base Spice Drawer Cabinet, Spice Drawer Cabinet	236
Corner Sink Base, Corner Sink Front, Deep Sink Base, Sink/Range Base and Front	237
Sink Base with Factory Installed Tilt-Out Tray(s)	237
Corner Bases	238

TALL CABINETS

Utility with Adjustable Shelves	239
Utility with Sliding Shelves	240
Utility with Pantry Storage	241
Single Oven Cabinets	242
Double Oven Cabinets	246

VANITY CABINETS

Full-Height Vanity Base	249
31 1/8" Vanity Base, 31 1/8" Vanity Sink Base with Top Drawers, 18" Deep x 31 1/8" Vanity Combo Sink Base	248
31 1/8" Vanity Combo Sink Base	249
34 1/2" Vanity Base, Vanity Base with Factory Installed Wastebasket(s), 34 1/2" Vanity Sink Base with Top Drawers	249
18" Deep x 34 1/2" High Vanity Combo Sink Base	250
34 1/2" Vanity Combo Sink Base	250
Vanity Linen, Medicine Cabinet, Tri-View Mirror, Valet Cabinet	251
31 1/8" Vanity Sink Base, Vanity Sink Front	252
Vanity Drawer Base, Kneehole Drawer Cabinet	253

DESK CABINETS

Desk Door, Desk with Wastebasket(s), Desk Drawer Base, File Drawer Base	254
---	-----

UNIVERSAL DESIGN

Base, with Sliding Shelves, Corner Base, Sink Base, Base Multi-Use, Drawer Base, Plumbing Skirt, Single Oven	255
--	-----

DIMENSIONS

Doors	256
Decorator Doors	257
Shelves, Sliding Shelves, Base Pot & Pan Organizer, Roll-Out Tray Divider	258
Drawer Fronts	259
Drawer Boxes	260
Glass Inserts	262

MISCELLANEOUS PARTS & ACCESSORIES

.	264
-----------	-----

REPLACEMENT DRAWER REFERENCE SHEET

.	266
-----------	-----

SKU	Qty	DOOR	SPECIALTY DOOR	GLASS INSERT	ADJUSTABLE SHELF	
		Part Name	Part Name	Part Name	Qty	*Part Name
STANDARD WALL • 42" HIGH						
W942	1	DR942	-	-	3	9" SHELF 3/4
W1242	1	DR1242	DR1242 SD	DGI-1242	3	12" SHELF 3/4
W1542	1	DR1542	DR1542 SD	DGI-1542	3	15" SHELF 3/4
W1842	1	DR1842	DR1842 SD	DGI-1842	3	18" SHELF 3/4
W2142	1	DR2142	DR2142 SD	DGI-2142	3	21" SHELF 3/4
W2442 BUTT	2	DR1242 BUTT	DR1242 BUTT SD	DGI-1242 BUTT	3	24" SHELF 3/4
W2742 BUTT	2	DR1342 BUTT	DR1342 BUTT SD	DGI-1342 BUTT	3	27" SHELF 3/4
W3042 BUTT	2	DR1542 BUTT	DR1542 BUTT SD	DGI-1542 BUTT	3	30" SHELF 3/4
W3342 BUTT	2	DR1642 BUTT	DR1642 BUTT SD	DGI-1642 BUTT	3	33" SHELF 3/4
W3642 BUTT	2	DR1842 BUTT	DR1842 BUTT SD	DGI-1842 BUTT	3	36" SHELF 3/4
W3942	2	DR1942	DR1942 SD	DGI-1942	3	39" SHELF 3/4
W4242	2	DR2142	DR2142 SD	DGI-2142	3	42" SHELF 3/4
STANDARD WALL • 39" HIGH						
W939	1	DR939	-	-	3	9" SHELF 3/4
W1239	1	DR1239	DR1239 SD	DGI-1239	3	12" SHELF 3/4
W1539	1	DR1539	DR1539 SD	DGI-1539	3	15" SHELF 3/4
W1839	1	DR1839	DR1839 SD	DGI-1839	3	18" SHELF 3/4
W2139	1	DR2139	DR2139 SD	DGI-2139	3	21" SHELF 3/4
W2439 BUTT	2	DR1239 BUTT	DR1239 BUTT SD	DGI-1239 BUTT	3	24" SHELF 3/4
W2739 BUTT	2	DR1339 BUTT	DR1339 BUTT SD	DGI-1339 BUTT	3	27" SHELF 3/4
W3039 BUTT	2	DR1539 BUTT	DR1539 BUTT SD	DGI-1539 BUTT	3	30" SHELF 3/4
W3339 BUTT	2	DR1639 BUTT	DR1639 BUTT SD	DGI-1639 BUTT	3	33" SHELF 3/4
W3639 BUTT	2	DR1839 BUTT	DR1839 BUTT SD	DGI-1839 BUTT	3	36" SHELF 3/4
STANDARD WALL • 36" HIGH						
W936	1	DR936	-	-	2	9" SHELF 3/4
W1236	1	DR1236	DR1236 SD	DGI-1236	2	12" SHELF 3/4
W1536	1	DR1536	DR1536 SD	DGI-1536	2	15" SHELF 3/4
W1836	1	DR1836	DR1836 SD	DGI-1836	2	18" SHELF 3/4
W2136	1	DR2136	DR2136 SD	DGI-2136	2	21" SHELF 3/4
W2436 BUTT	2	DR1236 BUTT	DR1236 BUTT SD	DGI-1236 BUTT	2	24" SHELF 3/4
W2736 BUTT	2	DR1336 BUTT	DR1336 BUTT SD	DGI-1336 BUTT	2	27" SHELF 3/4
W3036 BUTT	2	DR1536 BUTT	DR1536 BUTT SD	DGI-1536 BUTT	2	30" SHELF 3/4
W3336 BUTT	2	DR1636 BUTT	DR1636 BUTT SD	DGI-1636 BUTT	2	33" SHELF 3/4
W3636 BUTT	2	DR1836 BUTT	DR1836 BUTT SD	DGI-1836 BUTT	2	36" SHELF 3/4
W3936	2	DR1936	DR1936 SD	DGI-1936	2	39" SHELF 3/4
W4236	2	DR2136	DR2136 SD	DGI-2136	2	42" SHELF 3/4
STANDARD WALL • 30" HIGH						
W930	1	DR930	-	-	2	9" SHELF 3/4
W1230	1	DR1230	DR1230 SD	DGI-1230	2	12" SHELF 3/4
W1530	1	DR1530	DR1530 SD	DGI-1530	2	15" SHELF 3/4
W1830	1	DR1830	DR1830 SD	DGI-1830	2	18" SHELF 3/4
W2130	1	DR2130	DR2130 SD	DGI-2130	2	21" SHELF 3/4
W2430	1	DR2430	-	-	2	24" SHELF 3/4
W2430 BUTT	2	DR1230 BUTT	DR1230 BUTT SD	DGI-1230 BUTT	2	24" SHELF 3/4
W2730 BUTT	2	DR1330 BUTT	DR1330 BUTT SD	DGI-1330 BUTT	2	27" SHELF 3/4
W3030 BUTT	2	DR1530 BUTT	DR1530 BUTT SD	DGI-1530 BUTT	2	30" SHELF 3/4
W3330 BUTT	2	DR1630 BUTT	DR1630 BUTT SD	DGI-1630 BUTT	2	33" SHELF 3/4
W3630 BUTT	2	DR1830 BUTT	DR1830 BUTT SD	DGI-1830 BUTT	2	36" SHELF 3/4
W3930	2	DR1930	DR1930 SD	DGI-1930	2	39" SHELF 3/4
W4230	2	DR2130	DR2130 SD	DGI-2130	2	42" SHELF 3/4
W4530	3	DR1530	DR1530 SD	DGI-1530	2	45" SHELF 3/4
W4830	2	DR2430	-	-	2	48" SHELF 3/4

SKU	Qty	DOOR	SPECIALTY DOOR	GLASS INSERT	ADJUSTABLE SHELF	
		Part Name	Part Name	Part Name	Qty	*Part Name
STANDARD WALL • 27" HIGH						
W3027 BUTT	2	DR1527 BUTT	DR1527 BUTT SD	DGI-1527 BUTT	1	30" SHELF 3/4
STANDARD WALL • 24" HIGH						
W1224	1	DR1224	DR1224 SD	DGI-1224	1	12" SHELF 3/4
W1524	1	DR1524	DR1524 SD	DGI-1524	1	15" SHELF 3/4
W1824	1	DR1824	DR1824 SD	DGI-1824	1	18" SHELF 3/4
W2124	1	DR2124	DR2124 SD	DGI-2124	1	21" SHELF 3/4
W2424 BUTT	2	DR1224 BUTT	DR1224 BUTT SD	DGI-1224 BUTT	1	24" SHELF 3/4
W2724 BUTT	2	DR1324 BUTT	DR1324 BUTT SD	DGI-1324 BUTT	1	27" SHELF 3/4
W3024 BUTT	2	DR1524 BUTT	DR1524 BUTT SD	DGI-1524 BUTT	1	30" SHELF 3/4
W3324 BUTT	2	DR1624 BUTT	DR1624 BUTT SD	DGI-1624 BUTT	1	33" SHELF 3/4
W3624 BUTT	2	DR1824 BUTT	DR1824 BUTT SD	DGI-1824 BUTT	1	36" SHELF 3/4
W3924	2	DR1924	DR1924 SD	DGI-1924	1	39" SHELF 3/4
W4224	2	DR2124	DR2124 SD	DGI-2124	1	42" SHELF 3/4
W4524	3	DR1524	DR1524 SD	DGI-1524	1	45" SHELF 3/4
STANDARD WALL • 21" HIGH						
W3021 BUTT	2	DR1521 BUTT	DR1521 BUTT SD	DGI-1521 BUTT	-	N/A
W3321 BUTT	2	DR1621 BUTT	DR1621 BUTT SD	DGI-1621 BUTT	-	N/A
W3621 BUTT	2	DR1821 BUTT	DR1821 BUTT SD	DGI-1821 BUTT	-	N/A
W3921	2	DR1921	DR1921 SD	DGI-1921	-	N/A
STANDARD WALL • 18" HIGH						
W1218	1	DR1218	DR1218 SD	DGI-1218	-	N/A
W1518	1	DR1518	DR1518 SD	DGI-1518	-	N/A
W1818	1	DR1818	DR1818 SD	DGI-1818	-	N/A
W2118	1	DR2118	DR2118 SD	DGI-2118	-	N/A
W2418 BUTT	2	DR1218 BUTT	DR1218 BUTT SD	DGI-1218 BUTT	-	N/A
W2718 BUTT	2	DR1318 BUTT	DR1318 BUTT SD	DGI-1318 BUTT	-	N/A
W3018 BUTT	2	DR1518 BUTT	DR1518 BUTT SD	DGI-1518 BUTT	-	N/A
W3318 BUTT	2	DR1618 BUTT	DR1618 BUTT SD	DGI-1618 BUTT	-	N/A
W3618 BUTT	2	DR1818 BUTT	DR1818 BUTT SD	DGI-1818 BUTT	-	N/A
W3918	2	DR1918	DR1918 SD	DGI-1918	-	N/A
W4218	2	DR2118	DR2118 SD	DGI-2118	-	N/A
STANDARD WALL • 15" HIGH						
W3015 BUTT	2	DR1515 BUTT	DR1515 BUTT SD	DGI-1515 BUTT	-	N/A
W3315 BUTT	2	DR1615 BUTT	DR1615 BUTT SD	DGI-1615 BUTT	-	N/A
W3615 BUTT	2	DR1815 BUTT	DR1815 BUTT SD	DGI-1815 BUTT	-	N/A
W3915	2	DR1915	DR1915 SD	DGI-1915	-	N/A
STANDARD WALL • 12" HIGH						
W3012 BUTT	2	DR1512 BUTT	DR1512 BUTT SD	DGI-1512 BUTT	-	N/A
W3312 BUTT	2	DR1612 BUTT	DR1612 BUTT SD	DGI-1612 BUTT	-	N/A
W3612 BUTT	2	DR1812 BUTT	DR1812 BUTT SD	DGI-1812 BUTT	-	N/A
W3912	2	DR1912	DR1912 SD	DGI-1912	-	N/A
WITH SPICE RACK • 42" HIGH						
W1542 SR	1	DR1542	-	-	3	15" SHELF 3/4
W1842 SR	1	DR1842	-	-	3	18" SHELF 3/4
W2142 SR	1	DR2142	-	-	3	21" SHELF 3/4
WITH SPICE RACK • 39" HIGH						
W1539 SR	1	DR1539	-	-	3	15" SHELF 3/4
W1839 SR	1	DR1839	-	-	3	18" SHELF 3/4
W2139 SR	1	DR2139	-	-	3	21" SHELF 3/4

SKU	Qty	DOOR	SPECIALTY DOOR	GLASS INSERT	ADJUSTABLE SHELF	
		Part Name	Part Name	Part Name	Qty	*Part Name
WITH SPICE RACK • 36" HIGH						
W1536 SR	1	DR1536	-	-	2	15" SHELF 3/4
W1836 SR	1	DR1836	-	-	2	18" SHELF 3/4
W2136 SR	1	DR2136	-	-	2	21" SHELF 3/4
WITH SPICE RACK • 30" HIGH						
W1530 SR	1	DR1530	-	-	2	15" SHELF 3/4
W1830 SR	1	DR1830	-	-	2	18" SHELF 3/4
W2130 SR	1	DR2130	-	-	2	21" SHELF 3/4
PENINSULA WALL • 42" HIGH						
PW2442 BUTT	4	DR1242 BUTT	DR1242 BUTT SD	DGI-1242 BUTT	3	24" SHELF PW 3/4
PW3042 BUTT	4	DR1542 BUTT	DR1542 BUTT SD	DGI-1542 BUTT	3	30" SHELF PW 3/4
PW3642 BUTT	4	DR1842 BUTT	DR1842 BUTT SD	DGI-1842 BUTT	3	36" SHELF PW 3/4
PENINSULA WALL • 39" HIGH						
PW2439 BUTT	4	DR1239 BUTT	DR1239 BUTT SD	DGI-1239 BUTT	3	24" SHELF PW 3/4
PW3039 BUTT	4	DR1539 BUTT	DR1539 BUTT SD	DGI-1539 BUTT	3	30" SHELF PW 3/4
PW3639 BUTT	4	DR1839 BUTT	DR1839 BUTT SD	DGI-1839 BUTT	3	36" SHELF PW 3/4
PENINSULA WALL • 36" HIGH						
PW2436 BUTT	4	DR1236 BUTT	DR1236 BUTT SD	DGI-1236 BUTT	2	24" SHELF PW 3/4
PW3036 BUTT	4	DR1536 BUTT	DR1536 BUTT SD	DGI-1536 BUTT	2	30" SHELF PW 3/4
PW3636 BUTT	4	DR1836 BUTT	DR1836 BUTT SD	DGI-1836 BUTT	2	36" SHELF PW 3/4
PENINSULA WALL • 30" HIGH						
PW1230	2	DR1230	DR1230 SD	DGI-1230	2	12" SHELF PW 3/4
PW1530	2	DR1530	DR1530 SD	DGI-1530	2	15" SHELF PW 3/4
PW1830	2	DR1830	DR1830 SD	DGI-1830	2	18" SHELF PW 3/4
PW2430	2	DR2430	-	-	2	24" SHELF PW 3/4
PW2430 BUTT	4	DR1230 BUTT	DR1230 BUTT SD	DGI-1230 BUTT	2	24" SHELF PW 3/4
PW3030 BUTT	4	DR1530 BUTT	DR1530 BUTT SD	DGI-1530 BUTT	2	30" SHELF PW 3/4
PW3630 BUTT	4	DR1830 BUTT	DR1830 BUTT SD	DGI-1830 BUTT	2	36" SHELF PW 3/4
PW4230	4	DR2130	DR2130 SD	DGI-2130	2	42" SHELF PW 3/4
PENINSULA WALL • 27" HIGH						
PW3027 BUTT	4	DR1527 BUTT	DR1527 BUTT SD	DGI-1527 BUTT	1	30" SHELF PW 3/4
PENINSULA WALL • 24" HIGH						
PW1224	2	DR1224	DR1224 SD	DGI-1224	1	12" SHELF PW 3/4
PW1824	2	DR1824	DR1824 SD	DGI-1824	1	18" SHELF PW 3/4
PW2424 BUTT	4	DR1224 BUTT	DR1224 BUTT SD	DGI-1224 BUTT	1	24" SHELF PW 3/4
PW3024 BUTT	4	DR1524 BUTT	DR1524 BUTT SD	DGI-1524 BUTT	1	30" SHELF PW 3/4
PW3624 BUTT	4	DR1824 BUTT	DR1824 BUTT SD	DGI-1824 BUTT	1	36" SHELF PW 3/4
PW4224	4	DR2124	DR2124 SD	DGI-2124	1	42" SHELF PW 3/4
PENINSULA WALL • 21" HIGH						
PW3021 BUTT	4	DR1521 BUTT	DR1521 BUTT SD	DGI-1521 BUTT	-	N/A
PW3621 BUTT	4	DR1821 BUTT	DR1821 BUTT SD	DGI-1821 BUTT	-	N/A
PENINSULA WALL • 18" HIGH						
PW1818	2	DR1818	DR1818 SD	DGI-1818	-	N/A
PW2418 BUTT	4	DR1218 BUTT	DR1218 BUTT SD	DGI-1218 BUTT	-	N/A
PW3018 BUTT	4	DR1518 BUTT	DR1518 BUTT SD	DGI-1518 BUTT	-	N/A
PW3618 BUTT	4	DR1818 BUTT	DR1818 BUTT SD	DGI-1818 BUTT	-	N/A
PW4218	4	DR2118	DR2118 SD	DGI-2118	-	N/A

SKU	Qty	DOOR	SPECIALTY DOOR	GLASS INSERT	ADJUSTABLE SHELF	
		Part Name	Part Name	Part Name	Qty	*Part Name
BLIND WALL • 42" HIGH						
BLW24/2742	1	DR1242	DR1242 SD	DGI-1242	3	24" SHELF 3/4
BLW30/3342	1	DR1842	DR1842 SD	DGI-1842	3	30" SHELF 3/4
BLW33/3642	1	DR2142	DR2142 SD	DGI-2142	3	33" SHELF 3/4
BLW36/3942 BUTT	2	DR1242 BUTT	DR1242 BUTT SD	DGI-1242 BUTT	3	36" SHELF 3/4
BLW39/4242 BUTT	2	DR1342 BUTT	DR1342 BUTT SD	DGI-1342 BUTT	3	39" SHELF 3/4
BLW42/4542 BUTT	2	DR1542 BUTT	DR1542 BUTT SD	DGI-1542 BUTT	3	42" SHELF 3/4
BLIND WALL • 39" HIGH						
BLW24/2739	1	DR1239	DR1239 SD	DGI-1239	3	24" SHELF 3/4
BLW30/3339	1	DR1839	DR1839 SD	DGI-1839	3	30" SHELF 3/4
BLW33/3639	1	DR2139	DR2139 SD	DGI-2139	3	33" SHELF 3/4
BLW36/3939 BUTT	2	DR1239 BUTT	DR1239 BUTT SD	DGI-1239 BUTT	3	36" SHELF 3/4
BLW39/4239 BUTT	2	DR1339 BUTT	DR1339 BUTT SD	DGI-1339 BUTT	3	39" SHELF 3/4
BLW42/4539 BUTT	2	DR1539 BUTT	DR1539 BUTT SD	DGI-1539 BUTT	3	42" SHELF 3/4
BLIND WALL • 36" HIGH						
BLW24/2736	1	DR1236	DR1236 SD	DGI-1236	2	24" SHELF 3/4
BLW30/3336	1	DR1836	DR1836 SD	DGI-1836	2	30" SHELF 3/4
BLW33/3636	1	DR2136	DR2136 SD	DGI-2136	2	33" SHELF 3/4
BLW36/3936 BUTT	2	DR1236 BUTT	DR1236 BUTT SD	DGI-1236 BUTT	2	36" SHELF 3/4
BLW39/4236 BUTT	2	DR1336 BUTT	DR1336 BUTT SD	DGI-1336 BUTT	2	39" SHELF 3/4
BLW42/4536 BUTT	2	DR1536 BUTT	DR1536 BUTT SD	DGI-1536 BUTT	2	42" SHELF 3/4
BLIND WALL • 30" HIGH						
BLW24/2730	1	DR1230	DR1230 SD	DGI-1230	2	24" SHELF 3/4
BLW27/3030	1	DR1530	DR1530 SD	DGI-1530	2	27" SHELF 3/4
BLW30/3330	1	DR1830	DR1830 SD	DGI-1830	2	30" SHELF 3/4
BLW33/3630	1	DR2130	DR2130 SD	DGI-2130	2	33" SHELF 3/4
BLW36/3930	1	DR2430	-	-	2	36" SHELF 3/4
BLW36/3930 BUTT	2	DR1230 BUTT	DR1230 BUTT SD	DGI-1230 BUTT	2	36" SHELF 3/4
BLW39/4230 BUTT	2	DR1330 BUTT	DR1330 BUTT SD	DGI-1330 BUTT	2	39" SHELF 3/4
BLW42/4530 BUTT	2	DR1530 BUTT	DR1530 BUTT SD	DGI-1530 BUTT	2	42" SHELF 3/4
BLW45/4830 BUTT	2	DR1630 BUTT	DR1630 BUTT SD	DGI-1630 BUTT	2	45" SHELF 3/4
BLW48/5130 BUTT	2	DR1830 BUTT	DR1830 BUTT SD	DGI-1830 BUTT	2	48" SHELF 3/4
BLIND WALL • 24" HIGH						
BLW24/2724	1	DR1224	DR1224 SD	DGI-1224	1	24" SHELF 3/4
BLW27/3024	1	DR1524	DR1524 SD	DGI-1524	1	27" SHELF 3/4
BLW30/3324	1	DR1824	DR1824 SD	DGI-1824	1	30" SHELF 3/4
BLW33/3624	1	DR2124	DR2124 SD	DGI-2124	1	33" SHELF 3/4
BLW36/3924 BUTT	2	DR1224 BUTT	DR1224 BUTT SD	DGI-1224 BUTT	1	36" SHELF 3/4
BLIND PENINSULA WALL						
BLPW2442 BUTT	1 2	DR1242 DR1242 BUTT	DR1242 SD DR1242 BUTT SD	DGI-1242 DGI-1242 BUTT	3	24" SHELF PW 3/4
BLPW2439 BUTT	1 2	DR1239 DR1239 BUTT	DR1239 SD DR1239 BUTT SD	DGI-1239 DGI-1239 BUTT	3	24" SHELF PW 3/4
BLPW2436 BUTT	1 2	DR1236 DR1236 BUTT	DR1236 SD DR1236 BUTT SD	DGI-1236 DGI-1236 BUTT	2	24" SHELF PW 3/4
BLPW2430 BUTT	1 2	DR1230 DR1230 BUTT	DR1230 SD DR1230 BUTT SD	DGI-1230 DGI-1230 BUTT	2	24" SHELF PW 3/4
BLPW2424 BUTT	1 2	DR1224 DR1224 BUTT	DR1224 SD DR1224 BUTT SD	DGI-1224 DGI-1224 BUTT	1	24" SHELF PW 3/4
WALL END ANGLE						
WEA1242	1	DR1542	DR1542 SD	DGI-1542	3	WEA SHELF 3/4
WEA1239	1	DR1539	DR1539 SD	DGI-1539	3	WEA SHELF 3/4
WEA1236	1	DR1536	DR1536 SD	DGI-1536	2	WEA SHELF 3/4
WEA1230	1	DR1530	DR1530 SD	DGI-1530	2	WEA SHELF 3/4

SKU	Qty	DOOR	SPECIALTY DOOR	GLASS INSERT	ADJUSTABLE SHELF	
		Part Name	Part Name	Part Name	Qty	*Part Name
WALL TOP HINGE • 12" HIGH						
WTH4212	1	DR4212 WTH	DR4212 WTH SD	DGI-1242	-	N/A
WALL TOP HINGE • 15" HIGH						
WTH3015	1	DR3015 WTH	DR3015 WTH SD	DGI-1530	-	N/A
WTH3615	1	DR3615 WTH	DR3615 WTH SD	DGI-1536	-	N/A
WALL TOP HINGE • 18" HIGH						
WTH3018	1	DR3018 WTH	DR3018 WTH SD	DGI-1830	-	N/A
WTH3618	1	DR3618 WTH	DR3618 WTH SD	DGI-1836	-	N/A
WALL TOP HINGE • 15" HIGH X 24" DEEP						
WTH3015 X 24DP	1	DR3015 WTH	DR3015 WTH SD	DGI-1530	-	N/A
WTH3615 X 24DP	1	DR3615 WTH	DR3615 WTH SD	DGI-1536	-	N/A
WALL TOP HINGE • 18" HIGH X 24" DEEP						
WTH3018 X 24DP	1	DR3018 WTH	DR3018 WTH SD	DGI-1830	-	N/A
WTH3618 X 24DP	1	DR3618 WTH	DR3618 WTH SD	DGI-1836	-	N/A
CORNER WALL • 42" HIGH						
CW2442	1	DR1542	DR1542 SD	DGI-1542	3	CW SHELF ADJ 3/4
CW2742	1	DR1542	DR1542 SD	DGI-1542	3	CW27 SHELF ADJ 3/4
CWS2442 WD	1	DR1542	DR1542 SD	DGI-1542	3	CWS24 SHELF WD NP
CORNER WALL • 39" HIGH						
CW2439	1	DR1539	DR1539 SD	DGI-1539	3	CW SHELF ADJ 3/4
CW2739	1	DR1539	DR1539 SD	DGI-1539	3	CW27 SHELF ADJ 3/4
CWS2439 WD	1	DR1539	DR1539 SD	DGI-1539	3	CWS24 SHELF WD NP
CORNER WALL • 36" HIGH						
CW2436	1	DR1536	DR1536 SD	DGI-1536	2	CW SHELF ADJ 3/4
CW2736	1	DR1536	DR1536 SD	DGI-1536	2	CW27 SHELF ADJ 3/4
CWS2436 WD	1	DR1536	DR1536 SD	DGI-1536	2	CWS24 SHELF WD NP
CORNER WALL • 30" HIGH						
CW2430	1	DR1530	DR1530 SD	DGI-1530	2	CW SHELF ADJ 3/4
CW2730	1	DR1530	DR1530 SD	DGI-1530	2	CW27 SHELF ADJ 3/4
CWS2430	1	DR1530	DR1530 SD	DGI-1530	1	CWS UNIT RAS
CWS2430 WD	1	DR1530	DR1530 SD	DGI-1530	2	CWS24 SHELF WD NP
CORNER WALL • 24" HIGH						
CW2424	1	DR1524	DR1524 SD	DGI-1524	-	N/A
CW2724	1	DR1524	DR1524 SD	DGI-1524	-	N/A
CORNER WALL • 18" HIGH						
CW2418	1	DR1518	DR1518 SD	DGI-1518	-	N/A
CW2718	1	DR1518	DR1518 SD	DGI-1518	-	N/A
PENINSULA CORNER WALL						
PWCW2442 BUTT	1 2	DR1542 DR1242 BUTT	DR1530 SD DR1230 BUTT SD	DGI-1530 DGI-1230 BUTT	3	PWCW SHELF 3/4
PWCW2439 BUTT	1 2	DR1539 DR1239 BUTT	DR1536 SD DR1236 BUTT SD	DGI-1536 DGI-1236 BUTT	3	PWCW SHELF 3/4
PWCW2436 BUTT	1 2	DR1536 DR1236 BUTT	DR1539 SD DR1239 BUTT SD	DGI-1539 DGI-1239 BUTT	2	PWCW SHELF 3/4
PWCW2430 BUTT	1 2	DR1530 DR1230 BUTT	DR1542 SD DR1242 BUTT SD	DGI-1542 DGI-1242 BUTT	2	PWCW SHELF 3/4

SKU	Qty	DOOR	SPECIALTY DOOR	GLASS INSERT	ADJUSTABLE SHELF	
		Part Name	Part Name	Part Name	Qty	*Part Name
REFRIGERATOR WALL • 27" HIGH X 24" DEEP						
W3027 X 24 DP BUTT	2	DR1527 BUTT	DR1527 BUTT SD	DGI-1527 BUTT	1	30" SHELF 3/4
REFRIGERATOR WALL • 24" HIGH X 24" DEEP						
W3024 X 24 DP BUTT	2	DR1524 BUTT	DR1524 BUTT SD	DGI-1524 BUTT	1	30" SHELF 3/4
W3324 X 24 DP BUTT	2	DR1624 BUTT	DR1624 BUTT SD	DGI-1624 BUTT	1	33" SHELF 3/4
W3624 X 24 DP BUTT	2	DR1824 BUTT	DR1824 BUTT SD	DGI-1824 BUTT	1	36" SHELF 3/4
W3924 X 24 DP	2	DR1924	DR1924 SD	DGI-1924	1	39" SHELF 3/4
REFRIGERATOR WALL • 21" HIGH X 24" DEEP						
W3021 X 24 DP BUTT	2	DR1521 BUTT	DR1521 BUTT SD	DGI-1521 BUTT	-	N/A
W3321 X 24 DP BUTT	2	DR1621 BUTT	DR1621 BUTT SD	DGI-1621 BUTT	-	N/A
W3621 X 24 DP BUTT	2	DR1821 BUTT	DR1821 BUTT SD	DGI-1821 BUTT	-	N/A
W3921 X 24 DP BUTT	2	DR1921	DR1921 SD	DGI-1921	-	N/A
REFRIGERATOR WALL • 18" HIGH X 24" DEEP						
W3018 X 24 DP BUTT	2	DR1518 BUTT	DR1518 BUTT SD	DGI-1518 BUTT	-	N/A
W3318 X 24 DP BUTT	2	DR1618 BUTT	DR1618 BUTT SD	DGI-1618 BUTT	-	N/A
W3618 X 24 DP BUTT	2	DR1818 BUTT	DR1818 BUTT SD	DGI-1818 BUTT	-	N/A
W3918 X 24 DP	2	DR1918	DR1918 SD	DGI-1918	-	N/A
REFRIGERATOR WALL • 15" HIGH X 24" DEEP						
W3015 X 24 DP BUTT	2	DR1515 BUTT	DR1515 BUTT SD	DGI-1515 BUTT	-	N/A
W3315 X 24 DP BUTT	2	DR1615 BUTT	DR1615 BUTT SD	DGI-1615 BUTT	-	N/A
W3615 X 24 DP BUTT	2	DR1815 BUTT	DR1815 BUTT SD	DGI-1815 BUTT	-	N/A
W3915 X 24 DP	2	DR1915	DR1915 SD	DGI-1915	-	N/A
REFRIGERATOR WALL • 12" HIGH X 24" DEEP						
W3012 X 24 DP BUTT	2	DR1512 BUTT	DR1512 BUTT SD	DGI-1512 BUTT	-	N/A
W3312 X 24 DP BUTT	2	DR1612 BUTT	DR1612 BUTT SD	DGI-1612 BUTT	-	N/A
W3612 X 24 DP BUTT	2	DR1812 BUTT	DR1812 BUTT SD	DGI-1812 BUTT	-	N/A
W3912 X 24 DP	2	DR1912	DR1912 SD	DGI-1912	-	N/A
STRAIGHT APPLIANCE GARAGE						
AGSD24	2	DR1218 BUTT	DR1218 BUTT SD	DGI-1218 BUTT	-	N/A
CORNER APPLIANCE GARAGE						
AGD2418	1	DR1518	DR1518 SD	DGI-1518	-	N/A
AGD2718	1	DR1518	DR1518 SD	DGI-1518	-	N/A

SKU	DOOR		ADJUSTABLE SHELF	
	Qty	Part Name	Qty	*Part Name
MICROWAVE WALL • 42" HIGH				
WMC301842 BUTT	2	DR1521 BUTT	-	N/A
WMC302142 BUTT	2	DR1521 BUTT	-	N/A
WALL MICROWAVE • 42" HIGH				
WMSC271842 BUTT	2	DR1324 BUTT	1	WMSC2718 TOP SHELF
WALL MICROWAVE • 39" HIGH				
WMC301839 BUTT	2	DR1518 BUTT	-	N/A
WMC302139 BUTT	2	DR1518 BUTT	-	N/A
WALL MICROWAVE • 36" HIGH				
WMC301836 BUTT	2	DR1515 BUTT	-	N/A
WMC302136 BUTT	2	DR1515 BUTT	-	N/A
WALL MICROWAVE • 36" HIGH				
WMSC271236 BUTT	2	DR1315 BUTT	-	N/A
WMSC271836 BUTT	2	DR1315 BUTT	-	N/A
WMSC301236 BUTT	2	DR1515 BUTT	-	N/A
COMPACT WALL MICROWAVE				
WCMSC241236 BUTT	2	DR1218 BUTT	-	N/A
WCMSC271236 BUTT	2	DR1318 BUTT	-	N/A
WALL RANGE HOOD • 30" HIGH				
WRH3030 SV	2	DR1521 BUTT	-	N/A
WRH3630 SV	2	DR1821 BUTT	-	N/A
WRH3030 AV	2	DR1521 BUTT	-	N/A
WRH3630 AV	2	DR1821 BUTT	-	N/A
WALL RANGE HOOD • 27" HIGH				
WRH3027 SV	2	DR1518 BUTT	-	N/A
WRH3627 SV	2	DR1818 BUTT	-	N/A
WRH3027 AV	2	DR1518 BUTT	-	N/A
WRH3627 AV	2	DR1818 BUTT	-	N/A
WALL RANGE HOOD • 24" HIGH				
WRH3024 SV	2	DR1515 BUTT	-	N/A
WRH3624 SV	2	DR1815 BUTT	-	N/A
WRH3024 AV	2	DR1515 BUTT	-	N/A
WRH3624 AV	2	DR1815 BUTT	-	N/A
WALL EASY REACH				
WER2442	1 1	DR1242 WER DRILL DR1242 WER ND	3	WER SHELF 3/4
WER2439	1 1	DR1239 WER DRILL DR1239 WER ND	3	WER SHELF 3/4
WER2436	1 1	DR1236 WER DRILL DR1236 WER ND	2	WER SHELF 3/4
WER2430	1 1	DR1230 WER DRILL DR1230 WER ND	2	WER SHELF 3/4

SKU	DOOR		DRAWER FRONT		DRAWER BODY		SHELF / ACCESSORY		
	Qty	Part Name	Qty	Part Name	Qty	PORTFOLIO SELECT Part Name	PORTFOLIO Part Name	Qty	*Part Name
STANDARD BASE									
B12	1	DR1224	1	DDF12	1	DRB12 X 21DP DT FD	DRB12 X 21DP SG	1	12" SHELF 3/4
B15	1	DR1524	1	DDF15	1	DRB15 X 21DP DT FD	DRB15 X 21DP SG	1	15" SHELF 3/4
B18	1	DR1824	1	DDF18	1	DRB18 X 21DP DT FD	DRB18 X 21DP SG	1	18" SHELF 3/4
B21	1	DR2124	1	DDF21	1	DRB21 X 21DP DT FD	DRB21 X 21DP SG	1	21" SHELF 3/4
B24	1	DR2424	1	DDF24	1	DRB24 X 21DP DT FD	DRB24 X 21DP SG	1	24" SHELF 3/4
B24 BUTT	2	DR1224 BUTT	1	DDF24	1	DRB24 X 21DP DT FD	DRB24 X 21DP SG	1	24" SHELF 3/4
B27 BUTT	2	DR1324 BUTT	1	DDF27	1	DRB27 X 21DP DT FD	DRB27 X 21DP SG	1	27" SHELF 3/4
B30 BUTT	2	DR1524 BUTT	1	DDF30	1	DRB30 X 21DP DT FD	DRB30 X 21DP SG	1	30" SHELF 3/4
B33 BUTT	2	DR1624 BUTT	1	DDF33	1	DRB33 X 21DP DT FD	DRB33 X 21DP SG	1	33" SHELF 3/4
B36	2	DR1824	2	DDF18	2	DRB18 X 21DP DT FD	DRB18 X 21DP SG	1	36" SHELF 3/4
B36 1TD BUTT	2	DR1824 BUTT	1	DDF36	1	DRB36 X 21DP DT FD	DRB36 X 21DP SG	1	36" SHELF 3/4
B39	2	DR1924	2	DDF19	2	DRB19 X 21DP DT FD	DRB19 X 21DP SG	1	39" SHELF 3/4
B42	2	DR2124	2	DDF21	2	DRB21 X 21DP DT FD	DRB21 X 21DP SG	1	42" SHELF 3/4
B45	3	DR1524	3	DDF15	3	DRB15 X 21DP DT FD	DRB15 X 21DP SG	1	45" SHELF 3/4
B48	2	DR2424	2	DDF24	2	DRB24 X 21DP DT FD	DRB24 X 21DP SG	1	48" SHELF 3/4
BASE WITH ONE SLIDING SHELF									
B12 SS1	1	DR1224	1	DDF12	1	DRB12 X 21DP DT FD	DRB12 X 21DP SG	1	SSK12
B15 SS1	1	DR1524	1	DDF15	1	DRB15 X 21DP DT FD	DRB15 X 21DP SG	1	SSK15
B18 SS1	1	DR1824	1	DDF18	1	DRB18 X 21DP DT FD	DRB18 X 21DP SG	1	SSK18
B21 SS1	1	DR2124	1	DDF21	1	DRB21 X 21DP DT FD	DRB21 X 21DP SG	1	SSK21
B24 SS1	1	DR2424	1	DDF24	1	DRB24 X 21DP DT FD	DRB24 X 21DP SG	1	SSK24
B24 SS1 BUTT	2	DR1224 BUTT	1	DDF24	1	DRB24 X 21DP DT FD	DRB24 X 21DP SG	1	SSK24
B27 SS1 BUTT	2	DR1324 BUTT	1	DDF27	1	DRB27 X 21DP DT FD	DRB27 X 21DP SG	1	SSK27
B30 SS1 BUTT	2	DR1524 BUTT	1	DDF30	1	DRB30 X 21DP DT FD	DRB30 X 21DP SG	1	SSK30
B33 SS1 BUTT	2	DR1624 BUTT	1	DDF33	1	DRB33 X 21DP DT FD	DRB33 X 21DP SG	1	SSK33
B36 SS1 1TD BUTT	2	DR1824 BUTT	1	DDF36	1	DRB36 X 21DP DT FD	DRB36 X 21DP SG	1	SSK36
BASE WITH TWO HORIZONTAL SLIDING SHELVES									
B36 SS1	2	DR1824	2	DDF18	2	DRB18 X 21DP DT FD	DRB18 X 21DP SG	2	SSK18
B39 SS1	2	DR1924	2	DDF19	2	DRB19 X 21DP DT FD	DRB19 X 21DP SG	2	SSK19
B42 SS1	2	DR2124	2	DDF21	2	DRB21 X 21DP DT FD	DRB21 X 21DP SG	2	SSK21
B48 SS1	2	DR2424	2	DDF24	2	DRB24 X 21DP DT FD	DRB24 X 21DP SG	2	SSK24
BASE WITH TWO VERTICAL SLIDING SHELVES									
B12 SS2	1	DR1224	1	DDF12	1	DRB12 X 21DP DT FD	DRB12 X 21DP SG	2	SSK12
B15 SS2	1	DR1524	1	DDF15	1	DRB15 X 21DP DT FD	DRB15 X 21DP SG	2	SSK15
B18 SS2	1	DR1824	1	DDF18	1	DRB18 X 21DP DT FD	DRB18 X 21DP SG	2	SSK18
B21 SS2	1	DR2124	1	DDF21	1	DRB21 X 21DP DT FD	DRB21 X 21DP SG	2	SSK21
B24 SS2	1	DR2424	1	DDF24	1	DRB24 X 21DP DT FD	DRB24 X 21DP SG	2	SSK24
B24 SS2 BUTT	2	DR1224 BUTT	1	DDF24	1	DRB24 X 21DP DT FD	DRB24 X 21DP SG	2	SSK24
B27 SS2 BUTT	2	DR1324 BUTT	1	DDF27	1	DRB27 X 21DP DT FD	DRB27 X 21DP SG	2	SSK27
B30 SS2 BUTT	2	DR1524 BUTT	1	DDF30	1	DRB30 X 21DP DT FD	DRB30 X 21DP SG	2	SSK30
B33 SS2 BUTT	2	DR1624 BUTT	1	DDF33	1	DRB33 X 21DP DT FD	DRB33 X 21DP SG	2	SSK33
B36 SS2 1TD BUTT	2	DR1824 BUTT	1	DDF36	1	DRB36 X 21DP DT FD	DRB36 X 21DP SG	2	SSK36
BASE WITH THREE HORIZONTAL SLIDING SHELVES									
B45 SS1	3	DR1524	3	DDF15	3	DRB15 X 21DP DT FD	DRB15 X 21DP SG	3	SSK15
BASE WITH FOUR SLIDING SHELVES									
B30 SS2 BUTT	2	DR1524 BUTT	1	DDF30	1	DRB30 X 21DP DT FD	DRB30 X 21DP SG	4	SSK15
B33 SS2 BUTT	2	DR1624 BUTT	1	DDF33	1	DRB33 X 21DP DT FD	DRB33 X 21DP SG	4	SSK16
B36 SS2	2	DR1824	2	DDF18	2	DRB18 X 21DP DT FD	DRB18 X 21DP SG	4	SSK18
B36 SS2 1TD BUTT	2	DR1824 BUTT	1	DDF36	1	DRB36 X 21DP DT FD	DRB36 X 21DP SG	4	SSK18
B39 SS2	2	DR1924	2	DDF19	2	DRB19 X 21DP DT FD	DRB19 X 21DP SG	4	SSK19
B42 SS2	2	DR2124	2	DDF21	2	DRB21 X 21DP DT FD	DRB21 X 21DP SG	4	SSK21
B48 SS2	2	DR2424	2	DDF24	2	DRB24 X 21DP DT FD	DRB24 X 21DP SG	4	SSK24
BASE WITH SIX SLIDING SHELVES									
B45 SS2	3	DR1524	3	DDF15	3	DRB15 X 21DP DT FD	DRB15 X 21DP SG	6	SSK15

SKU	DOOR		DRAWER FRONT		DRAWER BODY		SHELF / ACCESSORY		
	Qty	Part Name	Qty	Part Name	PORTFOLIO SELECT	PORTFOLIO	Qty	*Part Name	
					Part Name	Part Name			
BASE POT AND PAN ORGANIZER CABINET									
B24 FABPPO	1	DR2424	1	DDF24	1	DRB24 X 21DP DT FD	DRB24 X 21DP SG	1	BPOKFA24
B24 BUTT FABPPO	2	DR1224 BUTT	1	DDF24	1	DRB24 X 21DP DT FD	DRB24 X 21DP SG	1	BPOKFA24
B27 BUTT FABPPO	2	DR1324 BUTT	1	DDF27	1	DRB27 X 21DP DT FD	DRB27 X 21DP SG	1	BPOKFA27
B30 BUTT FABPPO	2	DR1524 BUTT	1	DDF30	1	DRB30 X 21DP DT FD	DRB30 X 21DP SG	1	BPOKFA30
B33 BUTT FABPPO	2	DR1624 BUTT	1	DDF33	1	DRB33 X 21DP DT FD	DRB33 X 21DP SG	1	BPOKFA33
B36 1TD BUTT FABPPO	2	DR1824 BUTT	1	DDF36	1	DRB36 X 21DP DT FD	DRB36 X 21DP SG	1	BPOKFA36
PENINSULA BASE									
PB12	2	DR1224	2	DDF12	2	DRB12 X 21DP DT FD	DRB12 X 21DP SG	1	12" SHELF PB 3/4
PB18	2	DR1824	2	DDF18	2	DRB18 X 21DP DT FD	DRB18 X 21DP SG	1	18" SHELF PB 3/4
PB24	2	DR2424	2	DDF24	2	DRB24 X 21DP DT FD	DRB24 X 21DP SG	1	24" SHELF PB 3/4
PB24 BUTT	4	DR1224 BUTT	2	DDF24	2	DRB24 X 21DP DT FD	DRB24 X 21DP SG	1	24" SHELF PB 3/4
PB30 BUTT	4	DR1524 BUTT	2	DDF30	2	DRB30 X 21DP DT FD	DRB30 X 21DP SG	1	30" SHELF PB 3/4
PB36	4	DR1824	2	DDF18 DDF36	2	DRB18 X 21DP DT FD	DRB18 X 21DP SG	1	36" SHELF PB 3/4
PB36 1TD BUTT	4	DR1824 BUTT	2	DDF36	2	DRB36 X 21DP DT FD	DRB36 X 21DP SG	1	36" SHELF PB 3/4
PB42	4	DR2124	4	DDF21	4	DRB21 X 21DP DT FD	DRB21 X 21DP SG	1	42" SHELF PB 3/4
BLIND CORNER									
BLB36/39	1	DR1224	1	DDF12	1	DRB12 X 21DP DT FD	DRB12 X 21DP SG	1	27" SHELF 3/4
BLB39/42	1	DR1524	1	DDF15	1	DRB15 X 21DP DT FD	DRB15 X 21DP SG	1	33" SHELF 3/4
BLB42/45	1	DR1824	1	DDF18	1	DRB18 X 21DP DT FD	DRB18 X 21DP SG	1	39" SHELF 3/4
BLB45/48	1	DR2124	1	DDF21	1	DRB21 X 21DP DT FD	DRB21 X 21DP SG	1	45" SHELF 3/4
BLB48/51	1	DR2424	1	DDF24	1	DRB24 X 21DP DT FD	DRB24 X 21DP SG	1	48" SHELF 3/4
STANDARD BASE WITH FACTORY INSTALLED CUTLERY DIVIDER									
B15 CD	1	DR1524	1	DDF15	1	DRB15 X 21DP DT FD	DRB15 X 21DP DT FD	1	15" SHELF 3/4
B18 CD	1	DR1824	1	DDF18	1	DRB18 X 21DP DT FD	DRB18 X 21DP DT FD	1	18" SHELF 3/4
B21 CD	1	DR2124	1	DDF21	1	DRB21 X 21DP DT FD	DRB21 X 21DP DT FD	1	21" SHELF 3/4
B24 CD	1	DR2424	1	DDF24	1	DRB24 X 21DP DT FD	DRB24 X 21DP DT FD	1	24" SHELF 3/4
B24 BUTT CD	2	DR1224 BUTT	1	DDF24	1	DRB24 X 21DP DT FD	DRB24 X 21DP DT FD	1	24" SHELF 3/4
STANDARD BASE WITH FACTORY INSTALLED SPICE DRAWER INSERT									
B15 SDI	1	DR1524	1	DDF15	1	DRB15 X 21DP DT FD	DRB15 X 21DP DT FD	1	15" SHELF 3/4
B18 SDI	1	DR1824	1	DDF18	1	DRB18 X 21DP DT FD	DRB18 X 21DP DT FD	1	18" SHELF 3/4
B21 SDI	1	DR2124	1	DDF21	1	DRB21 X 21DP DT FD	DRB21 X 21DP DT FD	1	21" SHELF 3/4
B24 SDI	1	DR2424	1	DDF24	1	DRB24 X 21DP DT FD	DRB24 X 21DP DT FD	1	24" SHELF 3/4
B24 BUTT SDI	2	DR1224 BUTT	1	DDF24	1	DRB24 X 21DP DT FD	DRB24 X 21DP DT FD	1	24" SHELF 3/4
STANDARD BASE WITH FACTORY INSTALLED WOOD TIERED CUTLERY DIVIDER									
B15 WTCDFD	1	DR1524	1	DDF15	1	WTCDFD15	WTCDFD15	1	15" SHELF 3/4
B18 WTCDFD	1	DR1824	1	DDF18	1	WTCDFD18	WTCDFD18	1	18" SHELF 3/4
B21 WTCDFD	1	DR2124	1	DDF21	1	WTCDFD21	WTCDFD21	1	21" SHELF 3/4
B24 WTCDFD	1	DR2424	1	DDF24	1	WTCDFD24	WTCDFD24	1	24" SHELF 3/4
B24 BUTT WTCDFD	2	DR1224 BUTT	1	DDF24	1	WTCDFD24	WTCDFD24	1	24" SHELF 3/4
BASE WITH ONE SLIDING SHELF AND FACTORY INSTALLED CUTLERY DIVIDER									
B15 SS1 CD	1	DR1524	1	DDF15	1	DRB15 X 21DP DT FD	DRB15 X 21DP DT FD	1	SSK15
B18 SS1 CD	1	DR1824	1	DDF18	1	DRB18 X 21DP DT FD	DRB18 X 21DP DT FD	1	SSK18
B21 SS1 CD	1	DR2124	1	DDF21	1	DRB21 X 21DP DT FD	DRB21 X 21DP DT FD	1	SSK21
B24 SS1 CD	1	DR2424	1	DDF24	1	DRB24 X 21DP DT FD	DRB24 X 21DP DT FD	1	SSK24
B24 SS1 BUTT CD	2	DR1224 BUTT	1	DDF24	1	DRB24 X 21DP DT FD	DRB24 X 21DP DT FD	1	SSK24
BASE WITH ONE SLIDING SHELF AND FACTORY INSTALLED SPICE DRAWER INSERT									
B15 SS1 SDI	1	DR1524	1	DDF15	1	DRB15 X 21DP DT FD	DRB15 X 21DP DT FD	1	SSK15
B18 SS1 SDI	1	DR1824	1	DDF18	1	DRB18 X 21DP DT FD	DRB18 X 21DP DT FD	1	SSK18
B21 SS1 SDI	1	DR2124	1	DDF21	1	DRB21 X 21DP DT FD	DRB21 X 21DP DT FD	1	SSK21
B24 SS1 SDI	1	DR2424	1	DDF24	1	DRB24 X 21DP DT FD	DRB24 X 21DP DT FD	1	SSK24
B24 SS1 BUTT SDI	2	DR1224 BUTT	1	DDF24	1	DRB24 X 21DP DT FD	DRB24 X 21DP DT FD	1	SSK24

SKU	DOOR		DRAWER FRONT		DRAWER BODY		SHELF / ACCESSORY		
	Qty	Part Name	Qty	Part Name	PORTFOLIO SELECT	PORTFOLIO	Qty	*Part Name	
					Part Name	Part Name			
BASE WITH ONE SLIDING SHELF AND FACTORY INSTALLED WOOD TIERED CUTLERY DIVIDER									
B15 SS1 WTCDFD	1	DR1524	1	DDF15	1	WTCDFD15	WTCDFD15	1	SSK15
B18 SS1 WTCDFD	1	DR1824	1	DDF18	1	WTCDFD18	WTCDFD18	1	SSK18
B21 SS1 WTCDFD	1	DR2124	1	DDF21	1	WTCDFD21	WTCDFD21	1	SSK21
B24 SS1 WTCDFD	1	DR2424	1	DDF24	1	WTCDFD24	WTCDFD24	1	SSK24
B24 SS1 BUTT WTCDFD	2	DR1224 BUTT	1	DDF24	1	WTCDFD24	WTCDFD24	1	SSK24
BASE WITH TWO SLIDING SHELVES AND FACTORY INSTALLED CUTLERY DIVIDER									
B15 SS2 CD	1	DR1524	1	DDF15	1	DRB15 X 21DP DT FD	DRB15 X 21DP DT FD	2	SSK15
B18 SS2 CD	1	DR1824	1	DDF18	1	DRB18 X 21DP DT FD	DRB18 X 21DP DT FD	2	SSK18
B21 SS2 CD	1	DR2124	1	DDF21	1	DRB21 X 21DP DT FD	DRB21 X 21DP DT FD	2	SSK21
B24 SS2 CD	1	DR2424	1	DDF24	1	DRB24 X 21DP DT FD	DRB24 X 21DP DT FD	2	SSK24
B24 SS2 BUTT CD	2	DR1224 BUTT	1	DDF24	1	DRB24 X 21DP DT FD	DRB24 X 21DP DT FD	2	SSK24
BASE WITH TWO SLIDING SHELVES AND FACTORY INSTALLED SPICE DRAWER INSERT									
B15 SS2 SDI	1	DR1524	1	DDF15	1	DRB15 X 21DP DT FD	DRB15 X 21DP DT FD	2	SSK15
B18 SS2 SDI	1	DR1824	1	DDF18	1	DRB18 X 21DP DT FD	DRB18 X 21DP DT FD	2	SSK18
B21 SS2 SDI	1	DR2124	1	DDF21	1	DRB21 X 21DP DT FD	DRB21 X 21DP DT FD	2	SSK21
B24 SS2 SDI	1	DR2424	1	DDF24	1	DRB24 X 21DP DT FD	DRB24 X 21DP DT FD	2	SSK24
B24 SS2 BUTT SDI	2	DR1224 BUTT	1	DDF24	1	DRB24 X 21DP DT FD	DRB24 X 21DP DT FD	2	SSK24
BASE WITH TWO SLIDING SHELVES AND FACTORY INSTALLED WOOD TIERED CUTLERY DIVIDER									
B15 SS2 WTCDFD	1	DR1524	1	DDF15	1	WTCDFD15	WTCDFD15	2	SSK15
B18 SS2 WTCDFD	1	DR1824	1	DDF18	1	WTCDFD18	WTCDFD18	2	SSK18
B21 SS2 WTCDFD	1	DR2124	1	DDF21	1	WTCDFD21	WTCDFD21	2	SSK21
B24 SS2 WTCDFD	1	DR2424	1	DDF24	1	WTCDFD24	WTCDFD24	2	SSK24
B24 SS2 BUTT WTCDFD	2	DR1224 BUTT	1	DDF24	1	WTCDFD24	WTCDFD24	2	SSK24
BASE WITH DOOR ACCESSORY									
B15 PBDSU	1	DR1524	1	DDF15	1	DRB15 X 21DP DT FD	DRB15 X 21DP SG	1	15" SHELF 3/4
B18 PBDSU	1	DR1824	1	DDF18	1	DRB18 X 21DP DT FD	DRB18 X 21DP SG	1	18" SHELF 3/4
B18 CBDR	1	DR1824	1	DDF18	1	DRB18 X 21DP DT FD	DRB18 X 21DP SG	1	18" SHELF 3/4
BASE WITH ROLL-OUT TRAY DIVIDER									
B12 FAROTD	1	DR1224	1	DDF12	1	DRB12 X 21DP DT FD	DRB12 X 21DP SG	1	ROTKFA12
B15 FAROTD	1	DR1524	1	DDF15	1	DRB15 X 21DP DT FD	DRB15 X 21DP SG	1	ROTKFA15
BASE WITH BOTTOM MOUNT WASTEBASKET(S)									
BWBB15	1	DR1524 ND	1	DDF15	1	DRB15 X 21DP DT FD	DRB15 X 21DP SG	1	BWBB15_OL KIT
BWBB15-2	1	DR1524 ND	1	DDF15	1	DRB15 X 21DP DT FD	DRB15 X 21DP SG	1	BWBB15-2_OL KIT
BWBB18-2	1	DR1824 ND	1	DDF18	1	DRB18 X 21DP DT FD	DRB18 X 21DP SG	1	BWBB18-2_OL KIT
BWBB21-2	1	DR2124 ND	1	DDF21	1	DRB21 X 21DP DT FD	DRB21 X 21DP SG	1	BWBB21-2_OL KIT
BLIND PENINSULA CORNER									
PBC24	1	DR2424	1	DDF24	1	DRB24 X 21DP DT FD	DRB24 X 21DP SG	1	24" SHELF PB 3/4
PBC24 BUTT	2	DR1224 BUTT	1	DDF24	1	DRB24 X 21DP DT FD	DRB24 X 21DP SG	1	24" SHELF PB 3/4

SKU	DOOR		ADJUSTABLE SHELF/ACCESSORY		
	Qty	Full Overlay	Standard Overlay	Qty	*For All Plywood Construction Adjustable Shelf, refer to Parts Directory legend
		Part Name	Part Name		*Part Name
FULL-HEIGHT BASE					
TB9	1	DR9FH	DR930	-	N/A
B12 FH	1	DR12FH	DR1230	1	12" SHELF 3/4
B15 FH	1	DR15FH	DR1530	1	15" SHELF 3/4
B18 FH	1	DR18FH	DR1830	1	18" SHELF 3/4
B21 FH	1	DR21FH	DR2130	1	21" SHELF 3/4
B24 BUTT FH	2	DR12BUTT FH	DR1230 BUTT	1	24" SHELF 3/4
B30 BUTT FH	2	DR15BUTT FH	DR1530 BUTT	1	30" SHELF 3/4
B36 BUTT FH	2	DR18BUTT FH	DR1830 BUTT	1	36" SHELF 3/4
FULL-HEIGHT BASE WITH ACCESSORY					
TB9 TDS	1	DR9FH	DR930	1	9" SHELF 24 DP 3/4
BTDP9	1	DR9FH ND	DR930 ND	1	BTDP9 KIT
BPP9	1	DR9FH ND	DR930 ND	1	BPP9 KIT
BPP12	1	DR12 FH ND	DR1230 ND	1	BPP12 KIT
BPPUS9	1	DR9FH ND	DR930 ND	1	BPPUS9 KIT
BPPUS12	1	DR12FH ND	DR1230 ND	1	BPPUS12 KIT
FULL-HEIGHT BASE WITH TWO SLIDING SHELVES					
B18 FH SS2	1	DR18FH	DR1830	2	SSK18
B24 BUTT FH SS2	2	DR12BUTT FH	DR1230 BUTT	2	SSK24
B30 BUTT FH SS2	2	DR15BUTT FH	DR1530 BUTT	2	SSK30
FULL-HEIGHT BASE WITH FOUR SLIDING SHELVES					
B18 FH SS4	1	DR18FH	DR1830	4	SSK18
B24 BUTT FH SS4	2	DR12BUTT FH	DR1230 BUTT	4	SSK24
B30 BUTT FH SS4	2	DR15BUTT FH	DR1530 BUTT	4	SSK30
FULL-HEIGHT BASE WITH BOTTOM MOUNT WASTEBASKET(S)					
BWBB15 FH	1	DR15FH ND	DR1530 ND	1	BWBB15 FH _OL KIT
BWBB18 FH	1	DR18FH ND	DR1830 ND	1	BWBB18 FH _OL KIT
BWBB21-2 FH	1	DR21FH ND	DR2130 ND	1	BWBB21-2 FH _OL KIT
BASE END ANGLE					
BEA12 FH	1	DR15FH	DR1530	1	BEA12 SHELF 3/4
BEA24 FH	2	DR18FH	DR1830	1	BEA SHELF 3/4
FULL-HEIGHT PENINSULA BASE					
PB12 FH	2	DR12FH	DR1230	1	12" SHELF PB 3/4
PB18 FH	2	DR18FH	DR1830	1	18" SHELF PB 3/4
PB24 BUTT FH	4	DR12BUTT FH	DR1230 BUTT	1	24" SHELF PB 3/4
PB30 BUTT FH	4	DR15BUTT FH	DR1530 BUTT	1	30" SHELF PB 3/4
PB36 BUTT FH	4	DR18BUTT FH	DR1830 BUTT	1	36" SHELF PB 3/4

SKU	DRAWER FRONT		DRAWER BODY		
	Qty	Full Overlay	Standard Overlay	PORTFOLIO SELECT	PORTFOLIO
		Part Name	Part Name	Part Name	Part Name
FURNITURE DRAWERS • 12" DEEP X 6" HIGH					
FD121206	1	DDF12	DDF12	DRB12 X 9DP DT FD	DRB12 X 9DP SG
FD151206	1	DDF15	DDF15	DRB15 X 9DP DT FD	DRB15 X 9DP SG
FD181206	1	DDF18	DDF18	DRB18 X 9DP DT FD	DRB18 X 9DP SG
FD211206	1	DDF21	DDF21	DRB21 X 9DP DT FD	DRB21 X 9DP SG
FD241206	1	DDF24	DDF24	DRB24 X 9DP DT FD	DRB24 X 9DP SG
FD271206	1	DDF27	DDF27	DRB27 X 9DP DT FD	DRB27 X 9DP SG
FD301206	1	DDF30	DDF30	DRB30 X 9DP DT FD	DRB30 X 9DP SG
FD331206	1	DDF33	DDF33	DRB33 X 9DP DT FD	DRB33 X 9DP SG
FD361206	1	DDF36	DDF36	DRB36 X 9DP DT FD	DRB36 X 9DP SG
FURNITURE DRAWERS • 24" DEEP X 6" HIGH					
FD122406	1	DDF12	DDF12	DRB12 X 21DP DT FD	DRB12 X 21DP SG
FD152406	1	DDF15	DDF15	DRB15 X 21DP DT FD	DRB15 X 21DP SG
FD182406	1	DDF18	DDF18	DRB18 X 21DP DT FD	DRB18 X 21DP SG
FD212406	1	DDF21	DDF21	DRB21 X 21DP DT FD	DRB21 X 21DP SG
FD242406	1	DDF24	DDF24	DRB24 X 21DP DT FD	DRB24 X 21DP SG
FD272406	1	DDF27	DDF27	DRB27 X 21DP DT FD	DRB27 X 21DP SG
FD302406	1	DDF30	DDF30	DRB30 X 21DP DT FD	DRB30 X 21DP SG
FD332406	1	DDF33	DDF33	DRB33 X 21DP DT FD	DRB33 X 21DP SG
FD362406	1	DDF36	DDF36	DRB36 X 21DP DT FD	DRB36 X 21DP SG
FURNITURE DRAWERS • 12" DEEP X 12" HIGH					
FD121212	1	DDF12M	DDF12D	DRB12M X 9DP DT FD	DRB12M X 9DP SG
FD151212	1	DDF15M	DDF15D	DRB15M X 9DP DT FD	DRB15M X 9DP SG
FD181212	1	DDF18M	DDF18D	DRB18M X 9DP DT FD	DRB18M X 9DP SG
FD211212	1	DDF21M	DDF21D	DRB21M X 9DP DT FD	DRB21M X 9DP SG
FD241212	1	DDF24M	DDF24D	DRB24M X 9DP DT FD	DRB24M X 9DP SG
FD271212	1	DDF27M	DDF27D	DRB27M X 9DP DT FD	DRB27M X 9DP SG
FD301212	1	DDF30M	DDF30D	DRB30M X 9DP DT FD	DRB30M X 9DP SG
FD331212	1	DDF33M	DDF33D	DRB33M X 9DP DT FD	DRB33M X 9DP SG
FD361212	1	DDF36M	DDF36D	DRB36M X 9DP DT FD	DRB36M X 9DP SG
FURNITURE DRAWERS • 24" DEEP X 12" HIGH					
FD122412	1	DDF12M	DDF12D	DRB12M X 21DP DT FD	DRB12M X 21DP SG
FD152412	1	DDF15M	DDF15D	DRB15M X 21DP DT FD	DRB15M X 21DP SG
FD182412	1	DDF18M	DDF18D	DRB18M X 21DP DT FD	DRB18M X 21DP SG
FD212412	1	DDF21M	DDF21D	DRB21M X 21DP DT FD	DRB21M X 21DP SG
FD242412	1	DDF24M	DDF24D	DRB24M X 21DP DT FD	DRB24M X 21DP SG
FD272412	1	DDF27M	DDF27D	DRB27M X 21DP DT FD	DRB27M X 21DP SG
FD302412	1	DDF30M	DDF30D	DRB30M X 21DP DT FD	DRB30M X 21DP SG
FD332412	1	DDF33M	DDF33D	DRB33M X 21DP DT FD	DRB33M X 21DP SG
FD362412	1	DDF36M	DDF36D	DRB36M X 21DP DT FD	DRB36M X 21DP SG
PEDESTAL DRAWERS					
PD1217 1DWR	1	DDF12M	DDF12D	DRB12M X 21DP DT FD	DRB12M X 21DP SG
PD1517 1DWR	1	DDF15M	DDF15D	DRB15M X 21DP DT FD	DRB15M X 21DP SG
PD1817 1DWR	1	DDF18M	DDF18D	DRB18M X 21DP DT FD	DRB18M X 21DP SG
PD2117 1DWR	1	DDF21M	DDF21D	DRB21M X 21DP DT FD	DRB21M X 21DP SG
PD2417 1DWR	1	DDF24M	DDF24D	DRB24M X 21DP DT FD	DRB24M X 21DP SG
PD2717 1DWR	1	DDF27M	DDF27D	DRB27M X 21DP DT FD	DRB27M X 21DP SG
PD3017 1DWR	1	DDF30M	DDF30D	DRB30M X 21DP DT FD	DRB30M X 21DP SG
PD3317 1DWR	1	DDF33M	DDF33D	DRB33M X 21DP DT FD	DRB33M X 21DP SG
PD3617 1DWR	1	DDF36M	DDF36D	DRB36M X 21DP DT FD	DRB36M X 21DP SG

SKU	DRAWER / PANEL FRONT			DRAWER BODY	
	Qty	Full Overlay	Standard Overlay	PORTFOLIO SELECT	PORTFOLIO
		Part Name	Part Name	Part Name	Part Name
TWO DRAWER BASE					
DB30 2DWR	2	DDF30 2DB	DDF30 2DB	DRB30 HD X 21DPDTFD	2 DRB30 HD X 21DPDTFD
DB36 2DWR	2	DDF36 2DB	DDF36 2DB	DRB36 HD X 21DPDTFD	2 DRB36 HD X 21DPDTFD
TWO DRAWER BASE WITH PEG DISH ORGANIZER					
DB30 2DWR PDO	2	DDF30 2DB	DDF30 2DB	DRB30 HD X 21DPDTFD	2 DRB30 HD X 21DPDTFD
DB36 2DWR PDO	2	DDF36 2DB	DDF36 2DB	DRB36 HD X 21DPDTFD	2 DRB36 HD X 21DPDTFD
TWO DRAWER BASE WITH SCALLOPED FULL WIDTH TRAY					
DB30 2DWR SFWT	2	DDF30 2DB	DDF30 2DB	DRB30 HD X 21DPDTFD SDROT30	2 DRB30 HD X 21DPDTFD SDROT30
DB36 2DWR SFWT	2	DDF36 2DB	DDF36 2DB	DRB36 HD X 21DPDTFD SDROT36	2 DRB36 HD X 21DPDTFD SDROT36
TWO DRAWER BASE WITH SCALLOPED FULL WIDTH TRAY & PEG DISH ORGANIZER					
DB30 2DWR SFWT PDO	2	DDF30 2DB	DDF30 2DB	DRB30 HD X 21DPDTFD SDROT30	2 DRB30 HD X 21DPDTFD SDROT30
DB36 2DWR SFWT PDO	2	DDF36 2DB	DDF36 2DB	DRB36 HD X 21DPDTFD SDROT36	2 DRB36 HD X 21DPDTFD SDROT36
THREE DRAWER BASE					
DB12	1 2	DDF12 DDF12M	DDF12 DDF12D	DRB12 X 21DP DT FD DRB12M X 21DP DT FD	1 2 DRB12 X 21DP SG DRB12M X 21DP SG
DB15	1 2	DDF15 DDF15M	DDF15 DDF15D	DRB15 X 21DP DT FD DRB15M X 21DP DT FD	1 2 DRB15 X 21DP SG DRB15M X 21DP SG
DB18	1 2	DDF18 DDF18M	DDF18 DDF18D	DRB18 X 21DP DT FD DRB18M X 21DP DT FD	1 2 DRB18 X 21DP SG DRB18M X 21DP SG
DB21	1 2	DDF21 DDF21M	DDF21 DDF21D	DRB21 X 21DP DT FD DRB21M X 21DP DT FD	1 2 DRB21 X 21DP SG DRB21M X 21DP SG
DB24	1 2	DDF24 DDF24M	DDF24 DDF24D	DRB24 X 21DP DT FD DRB24M X 21DP DT FD	1 2 DRB24 X 21DP SG DRB24M X 21DP SG
DB27	1 2	DDF27 DDF27M	DDF27 DDF27D	DRB27 X 21DP DT FD DRB27M X 21DP DT FD	1 2 DRB27 X 21DP SG DRB27M X 21DP SG
DB30	1 2	DDF30 DDF30M	DDF30 DDF30D	DRB30 X 21DP DT FD DRB30M X 21DP DT FD	1 2 DRB30 X 21DP SG DRB30M X 21DP SG
DB33	1 2	DDF33 DDF33M	DDF33 DDF33D	DRB33 X 21DP DT FD DRB33M X 21DP DT FD	1 2 DRB33 X 21DP SG DRB33M X 21DP SG
DB36 1TD	1 2	DDF36 DDF36M	DDF36 DDF36D	DRB36 X 21DP DT FD DRB36M X 21DP DT FD	1 2 DRB36 X 21DP SG DRB36M X 21DP SG
THREE DRAWER BASE WITH FACTORY INSTALLED WOOD TIERED CUTLERY DIVIDER					
DB15 WTCD	1 2	DDF15 DDF15M	DDF15 DDF15D	WTCCKFD15 DRB15M X 21DP DT FD	1 2 WTCCKFD15 DRB24M X 21DP SG
DB18 WTCD	1 2	DDF18 DDF18M	DDF18 DDF18D	WTCCKFD18 DRB18M X 21DP DT FD	1 2 WTCCKFD18 DRB24M X 21DP SG
DB21 WTCD	1 2	DDF21 DDF21M	DDF21 DDF21D	WTCCKFD21 DRB21M X 21DP DT FD	1 2 WTCCKFD21 DRB24M X 21DP SG
DB24 WTCD	1 2	DDF24 DDF24M	DDF24 DDF24D	WTCCKFD24 DRB24M X 21DP DT FD	1 2 WTCCKFD24 DRB24M X 21DP SG
THREE DRAWER BASE WITH FACTORY INSTALLED CUTLERY DIVIDER					
DB15 CD	1 2	DDF15 DDF15M	DDF15 DDF15D	DRB15 X 21DP DT FD DRB15M X 21DP DT FD	1 2 DRB15 X 21DP DT FD DRB15M X 21DP SG
DB18 CD	1 2	DDF18 DDF18M	DDF18 DDF18D	DRB18 X 21DP DT FD DRB18M X 21DP DT FD	1 2 DRB18 X 21DP DT FD DRB18M X 21DP SG
DB21 CD	1 2	DDF21 DDF21M	DDF21 DDF21D	DRB21 X 21DP DT FD DRB21M X 21DP DT FD	1 2 DRB21 X 21DP DT FD DRB21M X 21DP SG
DB24 CD	1 2	DDF24 DDF24M	DDF24 DDF24D	DRB24 X 21DP DT FD DRB24M X 21DP DT FD	1 2 DRB24 X 21DP DT FD DRB24M X 21DP SG

SKU	DRAWER / PANEL FRONT			DRAWER BODY	
	Qty	Full Overlay	Standard Overlay	PORTFOLIO SELECT	PORTFOLIO
		Part Name	Part Name	Part Name	Part Name
THREE DRAWER BASE WITH FACTORY INSTALLED SPICE DRAWER					
DB15 SDI	1 2	DDF15 DDF15M	DDF15 DDF15D	DRB15 X 21DP DT FD DRB15M X 21DP DT FD	1 2 DRB15 X 21DP DT FD DRB15M X 21DP SG
DB18 SDI	1 2	DDF18 DDF18M	DDF18 DDF18D	DRB18 X 21DP DT FD DRB18M X 21DP DT FD	1 2 DRB18 X 21DP DT FD DRB18M X 21DP SG
DB21 SDI	1 2	DDF21 DDF21M	DDF21 DDF21D	DRB21 X 21DP DT FD DRB21M X 21DP DT FD	1 2 DRB21 X 21DP DT FD DRB21M X 21DP SG
DB24 SDI	1 2	DDF24 DDF24M	DDF24 DDF24D	DRB24 X 21DP DT FD DRB24M X 21DP DT FD	1 2 DRB24 X 21DP DT FD DRB24M X 21DP SG
FOUR DRAWER BASE					
DB12 4DWR	3 1	DDF12 DDF12M	DDF12 DDF12D	DRB12 X 21DP DT FD DRB12M X 21DP DT FD	3 1 DRB12 X 21DP SG DRB12M X 21DP SG
DB15 4DWR	3 1	DDF15 DDF15M	DDF15 DDF15D	DRB15 X 21DP DT FD DRB15M X 21DP DT FD	3 1 DRB15 X 21DP SG DRB15M X 21DP SG
DB18 4DWR	3 1	DDF18 DDF18M	DDF18 DDF18D	DRB18 X 21DP DT FD DRB18M X 21DP DT FD	3 1 DRB18 X 21DP SG DRB18M X 21DP SG
DB21 4DWR	3 1	DDF21 DDF21M	DDF21 DDF21D	DRB21 X 21DP DT FD DRB21M X 21DP DT FD	3 1 DRB21 X 21DP SG DRB21M X 21DP SG
DB24 4DWR	3 1	DDF24 DDF24M	DDF24 DDF24D	DRB24 X 21DP DT FD DRB24M X 21DP DT FD	3 1 DRB24 X 21DP SG DRB24M X 21DP SG
DB36	2 2	DDF18 DDF36M	DDF18 DDF36D	DRB18 X 21DP DT FD DRB36M X 21DP DT FD	2 2 DRB18 X 21DP SG DRB36M X 21DP SG
FOUR DRAWER BASE WITH FACTORY INSTALLED WOOD TIERED CUTLERY DIVIDER					
DB15 4DWR WTCD	1 2 1	DDF15 DDF15 DDF15M	DDF15 DDF15 DDF15D	WTCCKFD15 DRB15 X 21DP DT FD DRB15M X 21DP DT FD	1 2 1 WTCCKFD15 DRB15M X 21DP SG DRB15M X 21DP SG
DB18 4DWR WTCD	1 2 1	DDF18 DDF18 DDF18M	DDF18 DDF18 DDF18D	WTCCKFD18 DRB18 X 21DP DT FD DRB18M X 21DP DT FD	1 2 1 WTCCKFD18 DRB18 X 21DP SG DRB18M X 21DP SG
DB21 4DWR WTCD	1 2 1	DDF21 DDF21 DDF21M	DDF21 DDF21 DDF21D	WTCCKFD21 DRB21 X 21DP DT FD DRB21M X 21DP DT FD	1 2 1 WTCCKFD21 DRB21 X 21DP SG DRB21M X 21DP SG
DB24 4DWR WTCD	1 2 1	DDF24 DDF24 DDF24M	DDF24 DDF24 DDF24D	WTCCKFD24 DRB24 X 21DP DT FD DRB24M X 21DP DT FD	1 2 1 WTCCKFD24 DRB24 X 21DP SG DRB24M X 21DP SG
FOUR DRAWER BASE WITH FACTORY INSTALLED CUTLERY DIVIDER					
DB15 4DWR CD	3 1	DDF15 DDF15M	DDF15 DDF15D	DRB15 X 21DP DT FD DRB15M X 21DP DT FD	1 2 1 DRB15 X 21DP DT FD DRB15M X 21DP SG DRB15M X 21DP SG
DB18 4DWR CD	3 1	DDF18 DDF18M	DDF18 DDF18D	DRB18 X 21DP DT FD DRB18M X 21DP DT FD	1 2 1 DRB18 X 21DP DT FD DRB18 X 21DP SG DRB18M X 21DP SG
DB21 4DWR CD	3 1	DDF21 DDF21M	DDF21 DDF21D	DRB21 X 21DP DT FD DRB21M X 21DP DT FD	1 2 1 DRB21 X 21DP DT FD DRB21 X 21DP SG DRB21M X 21DP SG
DB24 4DWR CD	3 1	DDF24 DDF24M	DDF24 DDF24D	DRB24 X 21DP DT FD DRB24M X 21DP DT FD	1 2 1 DRB24 X 21DP DT FD DRB24 X 21DP SG DRB24M X 21DP SG

SKU	DRAWER / PANEL FRONT			DRAWER BODY	DRAWER BODY	
	Qty	Full Overlay	Standard Overlay	PORTFOLIO SELECT	Qty	PORTFOLIO
		Part Name	Part Name	Part Name		Part Name
FOUR DRAWER BASE WITH FACTORY INSTALLED SPICE DRAWER INSERT						
DB15 4DWR SDI	3 1	DDF15 DDF15M	DDF15 DDF15D	DRB15 X 21DP DT FD DRB15M X 21DP DT FD	1 2 1	DRB15 X 21DP DT FD DRB15 X 21DP SG DRB15M X 21DP SG
DB18 4DWR SDI	3 1	DDF18 DDF18M	DDF18 DDF18D	DRB18 X 21DP DT FD DRB18M X 21DP DT FD	1 2 1	DRB18 X 21DP DT FD DRB18 X 21DP SG DRB18M X 21DP SG
DB21 4DWR SDI	3 1	DDF21 DDF21M	DDF21 DDF21D	DRB21 X 21DP DT FD DRB21M X 21DP DT FD	1 2 1	DRB21 X 21DP DT FD DRB21 X 21DP SG DRB21M X 21DP SG
DB24 4DWR SDI	3 1	DDF24 DDF24M	DDF24 DDF24D	DRB24 X 21DP DT FD DRB24M X 21DP DT FD	1 2 1	DRB24 X 21DP DT UN DRB24 X 21DP SG DRB24M X 21DP SG
BASE MICROWAVE CABINET						
BMC24	2	DDF24	DDF24	DRB24 X 21DP DT FD	2	DRB24 X 21DP SG
BMC27	2	DDF27	DDF27	DRB27 X 21DP DT FD	2	DRB27 X 21DP SG
BMC30	2	DDF30	DDF30	DRB30 X 21DP DT FD	2	DRB30 X 21DP SG
BASE SPICE DRAWER CABINET						
BSDC6	5	DDF SDC	DDF SDC	DRB6 BSDC6	5	DRB6 BSDC6
WALL SPICE DRAWER CABINET						
SDC18	3	DDF SDC	DDF SDC	DRB6 SDC30	3	DRB6 SDC30
SDC24	4	DDF SDC	DDF SDC	DRB6 SDC30	4	DRB6 SDC30
SDC30	5	DDF SDC	DDF SDC	DRB6 SDC30	5	DRB6 SDC30
SDC36	6	DDF SDC	DDF SDC	DRB6 SDC30	6	DRB6 SDC30

SKU	DOOR			PANEL	
	Qty	Part Name		Qty	Part Name
CORNER SINK BASE					
CSB36	1	DR1524		1	DDF15
CORNER SINK FRONT					
CSF36	1	DR1524		1	DDF15
CSF42	1	DR2424		1	DDF24
DEEP SINK/RANGE BASE					
DSB30 BUTT	2	DR1521 BUTT		-	N/A
DSB33 BUTT	2	DR1621 BUTT		-	N/A
DSB36 BUTT	2	DR1521 BUTT		-	N/A
DSB39	2	DR1921		-	N/A
SINK BASE MULTI-STORAGE					
SBMS30 BUTT STO	2	DR1524 BUTT		1	DDF30 DRILL
SBMS36 BUTT STO	2	DR1824 BUTT		1	DDF36 DRILL
SINK/COOKTOP BASE AND FRONT					
SF12	1	DR1224		1	DDF12
SF15	1	DR1524		1	DDF15
SB18 / SF18	1	DR1824		1	DDF18
SB21 / SF21	1	DR2124		1	DDF21
SB24 / SF24	1	DR2424		1	DDF24
SB24 BUTT / SF24 BUTT	2	DR1224 BUTT		1	DDF24
SB27 BUTT / SF27 BUTT	2	DR1324 BUTT		1	DDF27
SB30 BUTT / SF30 BUTT	2	DR1524 BUTT		1	DDF30
SB33 BUTT / SF33 BUTT	2	DR1624 BUTT		1	DDF33
SB36 BUTT / SF36 BUTT	2	DR1824 BUTT		1	DDF36
SB39 / SF39	2	DR1924		2	DDF19
SB42 / SF42	2	DR2124		2	DDF21
SB45 / SF45	3	DR1524		3	DDF15
SB48 / SF48	2	DR2424		2	DDF24
SINK BASE WITH FACTORY INSTALLED TILT-OUT TRAY(S)					
SB18 STO (TO)	1	DR1824		1	DDF18 DRILL
SB21 STO (TO)	1	DR2124		1	DDF21 DRILL
SB24 STO (TO)	1	DR2424		1	DDF24 DRILL
SB24 BUTT STO (TO)	2	DR1224 BUTT		1	DDF24 DRILL
SB27 BUTT STO (TO)	2	DR1324 BUTT		1	DDF27 DRILL
SB30 BUTT STO (TO)	2	DR1524 BUTT		1	DDF30 DRILL
SB33 BUTT STO (TO)	2	DR1624 BUTT		1	DDF33 DRILL
SB36 BUTT STO (TO)	2	DR1824 BUTT		1	DDF36 DRILL
SB39 STO (TO)	2	DR1924		2	DDF19 DRILL
SB42 STO (TO)	2	DR2124		2	DDF21 DRILL
SB48 STO (TO)	2	DR2424		2	DDF24 DRILL

SKU	DOOR		SPIN UNIT	
	Qty	Part Name	Qty	Part Name
CORNER BASE				
BER33 (L/R)	1 1	DR930 BER DRILL DR930 BER ND	-	N/A
BER3336L	1 1	DR930 BER DRILL DR1230 BER ND	-	N/A
BER3336R	1 1	DR930 BER ND DR1230 BER DRILL	--	N/A
BER36 (L/R)	1 1	DR1230 BER DRILL DR1230 BER ND	-	N/A
BER3633L	1 1	DR1230 BER DRILL DR930 BER ND	-	N/A
BER3633R	1 1	DR1230 BER ND DR930 BER DRILL	-	N/A
BSS33 (L/R)	1 1	DR930 BER DRILL DR930 BER ND	1	BSS33 UNIT RAS
BSS33 (L/R) WD	1 1	DR930 BER DRILL DR930 BER ND	2	BSS33 SHELF WD NP
BSS3336L	1 1	DR930 BER DRILL DR1230 BER ND	1	BSS33 UNIT RAS
BSS3336L WD	1 1	DR930 BER DRILL DR1230 BER ND	2	BSS3336 SHELF WD NP
BSS3336R	1 1	DR930 BER ND DR1230 BER DRILL	1	BSS33 UNIT RAS
BSS3336R WD	1 1	DR930 BER ND DR1230 BER DRILL	2	BSS3336 SHELF WD NP
BSS36 (L/R)	1 1	DR1230 BER DRILL DR1230 BER ND	1	BSS36 UNIT RAS
BSS36 (L/R) WD	1 1	DR1230 BER DRILL DR1230 BER ND	2	BSS36 SHELF WD NP
BSS3633L	1 1	DR1230 BER DRILL DR930 BER ND	1	BSS33 UNIT RAS
BSS3633L WD	1 1	DR1230 BER DRILL DR930 BER ND	2	BSS3633 SHELF WD NP
BSS3633R	1 1	DR1230 BER ND DR930 BER DRILL	1	BSS33 UNIT RAS
BSS3633R WD	1 1	DR1230 BER ND DR930 BER DRILL	2	BSS3633 SHELF WD NP
CAR36 (L/R)	1 1	DR1230 BER DRILL DR1230 BER ND	1	CAR36 UNIT RAS
CAR36 (L/R) WD	1 1 1	DR1230 BER DRILL DR1230 BER ND	2 1 1	CAR36 SHELF WD BSSCWSCAR T-SHAFT RA WOOD SPIN SHELF HDW
CBS36	1	DRCBS36	1	CBS36 UNIT RAS
CBS36 WD	1	DRCBS36	2	CBS SHELF WD NP

SKU	Qty	DOOR	SPECIALTY DOOR	GLASS INSERT	ADJUSTABLE SHELF	
		Part Name	Part Name	Part Name	Qty	*Part Name
UTILITY WITH ADJUSTABLE SHELVES • 12" DEEP X 84" HIGH						
UT1212 X 84 AS	1 1	DR1230 DR1250	DR1230 SD	DGI-1230	5	S1212
UT1512 X 84 AS	1 1	DR1530 DR1550	DR1530 SD	DGI-1530	5	S1512
UT1812 X 84 AS	1 1	DR1830 DR1850	DR1830 SD	DGI-1830	5	S1812
UT2412 X 84 AS BUTT	2 2	DR1230 BUTT DR1250 BUTT	DR1230 BUTT SD	DGI-1230 BUTT	5	S2412
UTILITY WITH ADJUSTABLE SHELVES • 12" DEEP X 90" HIGH						
UT1512 X 90 AS	1 1	DR1536 DR1550	DR1536 SD	DGI-1536	6	S1512
UT1812 X 90 AS	1 1	DR1836 DR1850	DR1836 SD	DGI-1836	6	S1812
UT2412 X 90 AS BUTT	2 2	DR1236 BUTT DR1250 BUTT	DR1236 BUTT SD	DGI-1236 BUTT	6	S2412
UTILITY WITH ADJUSTABLE SHELVES • 12" DEEP X 93" HIGH						
UT1512 X 93 AS	1 1	DR1539 DR1550	DR1539 SD	DGI-1539	7	S1512
UT1812 X 93 AS	1 1	DR1839 DR1850	DR1839 SD	DGI-1839	7	S1812
UT2412 X 93 AS BUTT	2 2	DR1239 BUTT DR1250 BUTT	DR1239 BUTT SD	DGI-1239 BUTT	7	S2412
UTILITY WITH ADJUSTABLE SHELVES • 12" DEEP X 96" HIGH						
UT1512 X 96 AS	1 1	DR1542 DR1550	DR1542 SD	DGI-1542	7	S1512
UT1812 X 96 AS	1 1	DR1842 DR1850	DR1842 SD	DGI-1842	7	S1812
UT2412 X 96 AS BUTT	2 2	DR1242 BUTT DR1250 BUTT	DR1242 BUTT SD	DGI-1242 BUTT	7	S2412
UTILITY WITH ADJUSTABLE SHELVES • 24" DEEP X 84" HIGH						
UT1224 X 84 AS	1 1	DR1230 DR1250	DR1230 SD	DGI-1230	5	S1224
UT1524 X 84 AS	1 1	DR1530 DR1550	DR1530 SD	DGI-1530	5	S1524
UT1824 X 84 AS	1 1	DR1830 DR1850	DR1830 SD	DGI-1830	5	S1824
UT2424 X 84 AS BUTT	2 2	DR1230 BUTT DR1250 BUTT	DR1230 BUTT SD	DGI-1230 BUTT	5	S2424
UT3024 X 84 AS BUTT	2 2	DR1530 BUTT DR1550 BUTT	DR1530 BUTT SD	DGI-1530 BUTT	5	S3024
UT3624 X 84 AS BUTT	2 2	DR1830 BUTT DR1850 BUTT	DR1830 BUTT SD	DGI-1830 BUTT	5	S3624
UTILITY WITH ADJUSTABLE SHELVES • 24" DEEP X 90" HIGH						
UT1524 X 90 AS	1 1	DR1536 DR1550	DR1536 SD	DGI-1536	6	S1524
UT1824 X 90 AS	1 1	DR1836 DR1850	DR1836 SD	DGI-1836	6	S1824
UT2424 X 90 AS BUTT	2 2	DR1236 BUTT DR1250 BUTT	DR1236 BUTT SD	DGI-1236 BUTT	6	S2424
UT3024 X 90 AS BUTT	2 2	DR1536 BUTT DR1550 BUTT	DR1536 BUTT SD	DGI-1536 BUTT	6	S3024
UT3624 X 90 AS BUTT	2 2	DR1836 BUTT DR1850 BUTT	DR1836 BUTT SD	DGI-1836 BUTT	6	S3624

*For All Plywood Construction and/or Matching Interior Adjustable Shelf, refer to Parts Directory legend

SKU	Qty	DOOR	SPECIALTY DOOR	GLASS INSERT	ADJUSTABLE SHELF	
		Part Name	Part Name	Part Name	Qty	*Part Name
UTILITY WITH ADJUSTABLE SHELVES • 24" DEEP X 93" HIGH						
UT1524 X 93 AS	1 1	DR1539 DR1550	DR1539 SD	DGI-1539	7	S1524
UT1824 X 93 AS	1 1	DR1839 DR1850	DR1839 SD	DGI-1839	7	S1824
UT2424 X 93 AS BUTT	2 2	DR1239 BUTT DR1250 BUTT	DR1239 BUTT SD	DGI-1239 BUTT	7	S2424
UT3024 X 93 AS BUTT	2 2	DR1539 BUTT DR1550 BUTT	DR1539 BUTT SD	DGI-1539 BUTT	7	S3024
UT3624 X 93 AS BUTT	2 2	DR1839 BUTT DR1850 BUTT	DR1839 BUTT SD	DGI-1839 BUTT	7	S3624
UTILITY WITH ADJUSTABLE SHELVES • 24" DEEP X 96" HIGH						
UT1524 X 96 AS	1 1	DR1542 DR1550	DR1542 SD	DGI-1542	7	S1524
UT1824 X 96 AS	1 1	DR1842 DR1850	DR1842 SD	DGI-1842	7	S1824
UT2424 X 96 AS BUTT	2 2	DR1242 BUTT DR1250 BUTT	DR1242 BUTT SD	DGI-1242 BUTT	7	S2424
UT3024 X 96 AS BUTT	2 2	DR1542 BUTT DR1550 BUTT	DR1542 BUTT SD	DGI-1542 BUTT	7	S3024
UT3624 X 96 AS BUTT	2 2	DR1842 BUTT DR1850 BUTT	DR1842 BUTT SD	DGI-1842 BUTT	7	S3624
UTILITY WITH SLIDING SHELVES • 84" HIGH						
UT1224 X 84 4SSK	1 1	DR1230 DR1250	DR1230 SD	DGI-1230	1 4	S1224 SSK12
UT1524 X 84 4SSK	1 1	DR1530 DR1550	DR1530 SD	DGI-1530	1 4	S1524 SSK15
UT1824 X 84 4SSK	1 1	DR1830 DR1850	DR1830 SD	DGI-1830	1 4	S1824 SSK18
UT2424 X 84 4SSK BUTT	2 2	DR1230 BUTT DR1250 BUTT	DR1230 BUTT SD	DGI-1230 BUTT	1 4	S2424 SSK24
UT3024 X 84 4SSK BUTT	2 2	DR1530 BUTT DR1550 BUTT	DR1530 BUTT SD	DGI-1530 BUTT	1 4	S3024 SSK30
UT3624 X 84 4SSK BUTT	2 2	DR1830 BUTT DR1850 BUTT	DR1830 BUTT SD	DGI-1830 BUTT	1 4	S3624 SSK36
UTILITY WITH SLIDING SHELVES • 90" HIGH						
UT1524 X 90 4SSK	1 1	DR1536 DR1550	DR1536 SD	DGI-1536	2 4	S1524 SSK15
UT1824 X 90 4SSK	1 1	DR1836 DR1850	DR1836 SD	DGI-1836	2 4	S1824 SSK18
UT2424 X 90 4SSK BUTT	2 2	DR1236 BUTT DR1250 BUTT	DR1236 BUTT SD	DGI-1236 BUTT	2 4	S2424 SSK24
UT3024 X 90 4SSK BUTT	2 2	DR1536 BUTT DR1550 BUTT	DR1536 BUTT SD	DGI-1536 BUTT	2 4	S3024 SSK30
UT3624 X 90 4SSK BUTT	2 2	DR1836 BUTT DR1850 BUTT	DR1836 BUTT SD	DGI-1836 BUTT	2 4	S3624 SSK36

SKU	Qty	DOOR	SPECIALTY DOOR	GLASS INSERT	ADJUSTABLE SHELF	
		Part Name	Part Name	Part Name	Qty	*Part Name
UTILITY WITH SLIDING SHELVES • 93" HIGH						
UT1524 X 93 4SSK	1 1	DR1539 DR1550	DR1539 SD	DGI-1539	3 4	S1524 SSK15
UT1824 X 93 4SSK	1 1	DR1839 DR1850	DR1839 SD	DGI-1839	3 4	S1824 SSK18
UT2424 X 93 4SSK BUTT	2 2	DR1239 BUTT DR1250 BUTT	DR1239 BUTT SD	DGI-1239 BUTT	3 4	S2424 SSK24
UT3024 X 93 4SSK BUTT	2 2	DR1539 BUTT DR1550 BUTT	DR1539 BUTT SD	DGI-1539 BUTT	3 4	S3024 SSK30
UT3624 X 93 4SSK BUTT	2 2	DR1839 BUTT DR1850 BUTT	DR1839 BUTT SD	DGI-1839 BUTT	3 4	S3624 SSK36
UTILITY WITH SLIDING SHELVES • 96" HIGH						
UT1524 X 96 4SSK	1 1	DR1542 DR1550	DR1542 SD	DGI-1542	3 4	S1524 SSK15
UT1824 X 96 4SSK	1 1	DR1842 DR1850	DR1842 SD	DGI-1842	3 4	S1824 SSK18
UT2424 X 96 4SSK BUTT	2 2	DR1242 BUTT DR1250 BUTT	DR1242 BUTT SD	DGI-1242 BUTT	3 4	S2424 SSK24
UT3024 X 96 4SSK BUTT	2 2	DR1542 BUTT DR1550 BUTT	DR1542 BUTT SD	DGI-1542 BUTT	3 4	S3024 SSK30
UT3624 X 96 4SSK BUTT	2 2	DR1842 BUTT DR1850 BUTT	DR1842 BUTT SD	DGI-1842 BUTT	3 4	S3624 SSK36
UTILITY WITH PANTRY STORAGE • 24" DEEP X 84" HIGH						
UT3624 X 84 PCDS BUTT	2 2	DR1830 BUTT DR1850 BUTT	DR1830 BUTT SD	DGI-1830 BUTT	1 1 2 1	S3624 PCKS36 PDSK18 PSK36
UTILITY WITH PANTRY STORAGE • 24" DEEP X 90" HIGH						
UT3624 X 90 PCDS BUTT	2 2	DR1836 BUTT DR1850 BUTT	DR1836 BUTT SD	DGI-1836 BUTT	2 1 2 1	S3624 PCKS36 PDSK18 PSK36
UTILITY WITH PANTRY STORAGE • 24" DEEP X 93" HIGH						
UT3624 X 93 PCDS BUTT	2 2	DR1839 BUTT DR1850 BUTT	DR1839 BUTT SD	DGI-1839 BUTT	3 1 2 1	S3624 PCKS36 PDSK18 PSK36
UTILITY WITH PANTRY STORAGE • 24" DEEP X 96" HIGH						
UT3624 X 96 PCDS BUTT	2 2	DR1842 BUTT DR1850 BUTT	DR1842 BUTT SD	DGI-1842 BUTT	3 1 2 1	S3624 PCKS36 PDSK18 PSK36

SKU	DOOR		ADJUSTABLE SHELF	
	Qty	Part Name	Qty	*Part Name
SINGLE OVEN CABINETS WITH 4 BUTT DOORS • 84" HIGH				
OVS2784 BUTT	2 2	DR1318 BUTT DR1324 BUTT	-	N/A
OVS3084 BUTT	2 2	DR1518 BUTT DR1524 BUTT	-	N/A
OVS3384 BUTT	2 2	DR1618 BUTT DR1624 BUTT	-	N/A
SINGLE OVEN CABINETS WITH 4 BUTT DOORS • 90" HIGH				
OVS2790 AS BUTT	4	DR1324 BUTT	1	S2724
OVS3090 AS BUTT	4	DR1524 BUTT	1	S3024
OVS3390 AS BUTT	4	DR1624 BUTT	1	S3324
SINGLE OVEN CABINETS WITH 4 BUTT DOORS • 93" HIGH				
OVS2793 AS BUTT	2 2	DR1327 BUTT DR1324 BUTT	2	S2724
OVS3093 AS BUTT	2 2	DR1527 BUTT DR1524 BUTT	2	S3024
OVS3393 AS BUTT	2 2	DR1627 BUTT DR1624 BUTT	2	S3324
SINGLE OVEN CABINETS WITH 4 BUTT DOORS • 96" HIGH				
OVS2796 AS BUTT	2 2	DR1330 BUTT DR1324 BUTT	2	S2724
OVS3096 AS BUTT	2 2	DR1530 BUTT DR1524 BUTT	2	S3024
OVS3396 AS BUTT	2 2	DR1630 BUTT DR1624 BUTT	2	S3324
SINGLE OVEN CABINETS WITH BASE POT & PAN ORGANIZER • 84" HIGH				
OVS2784 BUTT FABPPO	2 2	DR1318 BUTT DR1324 BUTT	-	N/A BPPOKFA24
OVS3084 BUTT FABPPO	2 2	DR1518 BUTT DR1524 BUTT	-	N/A BPPOKFA27
OVS3384 BUTT FABPPO	2 2	DR1618 BUTT DR1624 BUTT	-	N/A BPPOKFA30
SINGLE OVEN CABINETS WITH BASE POT & PAN ORGANIZER • 90" HIGH				
OVS2790 BUTT FABPPO	4	DR1324 BUTT	1 1	S2724 BPPOKFA24
OVS3090 BUTT FABPPO	4	DR1524 BUTT	1 1	S3024 BPPOKFA27
OVS3390 BUTT FABPPO	4	DR1624 BUTT	1 1	S3324 BPPOKFA30
SINGLE OVEN CABINETS WITH BASE POT & PAN ORGANIZER • 93" HIGH				
OVS2793 BUTT FABPPO	2 2	DR1327 BUTT DR1324 BUTT	2 1	S2724 BPPOKFA24
OVS3093 BUTT FABPPO	2 2	DR1527 BUTT DR1524 BUTT	2 1	S3024 BPPOKFA27
OVS3393 BUTT FABPPO	2 2	DR1627 BUTT DR1624 BUTT	2 1	S3324 BPPOKFA30
SINGLE OVEN CABINETS WITH BASE POT & PAN ORGANIZER • 96" HIGH				
OVS2796 BUTT FABPPO	2 2	DR1330 BUTT DR1324 BUTT	2 1	S2724 BPPOKFA24
OVS3096 BUTT FABPPO	2 2	DR1530 BUTT DR1524 BUTT	2 1	S3024 BPPOKFA27
OVS3396 BUTT FABPPO	2 2	DR1630 BUTT DR1624 BUTT	2 1	S3324 BPPOKFA30

SKU	DOOR		DRAWER FRONT		DRAWER BODY		ADJUSTABLE SHELF		
	Qty	Part Name	Qty	Full Overlay Part Name	Standard Overlay Part Name	PORTFOLIO SELECT Part Name	PORTFOLIO Part Name	Qty	*Part Name
SINGLE OVEN CABINETS WITH 4 BUTT DOORS AND 1 DRAWER • 84" HIGH									
OVS2784 BUTT 1DWR	2 2	DR1318 BUTT DR1324 BUTT	1	DDF27	DDF27	DRB24 X 21DP DT FD	DRB24 X 21DP SG	-	N/A
OVS3084 BUTT 1DWR	2 2	DR1518 BUTT DR1524 BUTT	1	DDF30	DDF30	DRB27 X 21DP DT FD	DRB27 X 21DP SG	-	N/A
OVS3384 BUTT 1DWR	2 2	DR1618 BUTT DR1624 BUTT	1	DDF33	DDF33	DRB30 X 21DP DT FD	DRB30 X 21DP SG	-	N/A
SINGLE OVEN CABINETS WITH 4 BUTT DOORS AND 1 DRAWER • 90" HIGH									
OVS2790 AS BUTT 1DWR	4	DR1324 BUTT	1	DDF27	DDF27	DRB24 X 21DP DT FD	DRB24 X 21DP SG	1	S2724
OVS3090 AS BUTT 1DWR	4	DR1524 BUTT	1	DDF30	DDF30	DRB27 X 21DP DT FD	DRB27 X 21DP SG	1	S3024
OVS3390 AS BUTT 1DWR	4	DR1624 BUTT	1	DDF33	DDF33	DRB30 X 21DP DT FD	DRB30 X 21DP SG	1	S3324
SINGLE OVEN CABINETS WITH 4 BUTT DOORS AND 1 DRAWER • 93" HIGH									
OVS2793 AS BUTT 1DWR	2 2	DR1327 BUTT DR1324 BUTT	1	DDF27	DDF27	DRB24 X 21DP DT FD	DRB24 X 21DP SG	2	S2724
OVS3093 AS BUTT 1DWR	2 2	DR1527 BUTT DR1524 BUTT	1	DDF30	DDF30	DRB27 X 21DP DT FD	DRB27 X 21DP SG	2	S3024
OVS3393 AS BUTT 1DWR	2 2	DR1627 BUTT DR1624 BUTT	1	DDF33	DDF33	DRB30 X 21DP DT FD	DRB30 X 21DP SG	2	S3324
SINGLE OVEN CABINETS WITH 4 BUTT DOORS AND 1 DRAWER • 96" HIGH									
OVS2796 AS BUTT 1DWR	2 2	DR1330 BUTT DR1324 BUTT	1	DDF27	DDF27	DRB24 X 21DP DT FD	DRB24 X 21DP SG	2	S2724
OVS3096 AS BUTT 1DWR	2 2	DR1530 BUTT DR1524 BUTT	1	DDF30	DDF30	DRB27 X 21DP DT FD	DRB27 X 21DP SG	2	S3024
OVS3396 AS BUTT 1DWR	2 2	DR1630 BUTT DR1624 BUTT	1	DDF33	DDF33	DRB30 X 21DP DT FD	DRB30 X 21DP SG	2	S3324
SINGLE OVEN CABINETS WITH 4 BUTT DOORS, 1 DRAWER AND 1 POT & PAN ORGANIZER • 84" HIGH									
OVS2784 BUTT 1DWR FABPPO	2 2	DR1318 BUTT DR1324 BUTT	1	DDF27	DDF27	DRB24 X 21DP DT FD	DRB24 X 21DP SG	1	N/A BPPOKFA24
OVS3084 BUTT 1DWR FABPPO	2 2	DR1518 BUTT DR1524 BUTT	1	DDF30	DDF30	DRB27 X 21DP DT FD	DRB27 X 21DP SG	1	N/A BPPOKFA27
OVS3384 BUTT 1DWR FABPPO	2 2	DR1618 BUTT DR1624 BUTT	1	DDF33	DDF33	DRB30 X 21DP DT FD	DRB30 X 21DP SG	1	N/A BPPOKFA30
SINGLE OVEN CABINETS WITH 4 BUTT DOORS, 1 DRAWER AND 1 POT & PAN ORGANIZER • 90" HIGH									
OVS2790 BUTT 1DWR FABPPO	4	DR1324 BUTT	1	DDF27	DDF27	DRB24 X 21DP DT FD	DRB24 X 21DP SG	1 1	S2724 BPPOKFA24
OVS3090 BUTT 1DWR FABPPO	4	DR1524 BUTT	1	DDF30	DDF30	DRB27 X 21DP DT FD	DRB27 X 21DP SG	1 1	S3024 BPPOKFA27
OVS3390 BUTT 1DWR FABPPO	4	DR1624 BUTT	1	DDF33	DDF33	DRB30 X 21DP DT FD	DRB30 X 21DP SG	1 1	S3324 BPPOKFA30
SINGLE OVEN CABINETS WITH 4 BUTT DOORS, 1 DRAWER AND 1 POT & PAN ORGANIZER • 93" HIGH									
OVS2793 BUTT 1DWR FABPPO	2 2	DR1327 BUTT DR1324 BUTT	1	DDF27	DDF27	DRB24 X 21DP DT FD	DRB24 X 21DP SG	2 1	S2724 BPPOKFA24
OVS3093 BUTT 1DWR FABPPO	2 2	DR1527 BUTT DR1524 BUTT	1	DDF30	DDF30	DRB27 X 21DP DT FD	DRB27 X 21DP SG	2 1	S3024 BPPOKFA27
OVS3393 BUTT 1DWR FABPPO	2 2	DR1627 BUTT DR1624 BUTT	1	DDF33	DDF33	DRB30 X 21DP DT FD	DRB30 X 21DP SG	2 1	S3324 BPPOKFA30
SINGLE OVEN CABINETS WITH 4 BUTT DOORS, 1 DRAWER AND 1 POT & PAN ORGANIZER • 96" HIGH									
OVS2796 BUTT 1DWR FABPPO	2 2	DR1330 BUTT DR1324 BUTT	1	DDF27	DDF27	DRB24 X 21DP DT FD	DRB24 X 21DP SG	2 1	S2724 BPPOKFA24
OVS3096 BUTT 1DWR FABPPO	2 2	DR1530 BUTT DR1524 BUTT	1	DDF30	DDF30	DRB27 X 21DP DT FD	DRB27 X 21DP SG	2 1	S3024 BPPOKFA27
OVS3396 BUTT 1DWR FABPPO	2 2	DR1630 BUTT DR1624 BUTT	1	DDF33	DDF33	DRB30 X 21DP DT FD	DRB30 X 21DP SG	2 1	S3324 BPPOKFA30

SKU	DOOR		DRAWER FRONT		DRAWER BODY		ADJUSTABLE SHELF		
	Qty	Part Name	Qty	Full Overlay	Standard Overlay	PORTFOLIO SELECT	PORTFOLIO	*For All Plywood Construction Adjustable Shelf, refer to Parts Directory legend	
				Part Name	Part Name	Part Name	Part Name		*Part Name
SINGLE OVEN CABINETS WITH 4 BUTT DOORS AND 2 DRAWERS • 84" HIGH									
OVS2784 BUTT 2DWR	2 2	DR1318 BUTT DR1324 BUTT	2	DDF27	DDF27	DRB24 X 21DP DT FD	DRB24 X 21DP SG	-	N/A
OVS3084 BUTT 2DWR	2 2	DR1518 BUTT DR1524 BUTT	2	DDF30	DDF30	DRB27 X 21DP DT FD	DRB27 X 21DP SG	-	N/A
OVS3384 BUTT 2DWR	2 2	DR1618 BUTT DR1624 BUTT	2	DDF33	DDF33	DRB30 X 21DP DT FD	DRB30 X 21DP SG	-	N/A
SINGLE OVEN CABINETS WITH 4 BUTT DOORS AND 2 DRAWERS • 90" HIGH									
OVS2790 AS BUTT 2DWR	4	DR1324 BUTT	2	DDF27	DDF27	DRB24 X 21DP DT FD	DRB24 X 21DP SG	1	S2724
OVS3090 AS BUTT 2DWR	4	DR1524 BUTT	2	DDF30	DDF30	DRB27 X 21DP DT FD	DRB27 X 21DP SG	1	S3024
OVS3390 AS BUTT 2DWR	4	DR1624 BUTT	2	DDF33	DDF33	DRB30 X 21DP DT FD	DRB30 X 21DP SG	1	S3324
SINGLE OVEN CABINETS WITH 4 BUTT DOORS AND 2 DRAWERS • 93" HIGH									
OVS2793 AS BUTT 2DWR	2 2	DR1327 BUTT DR1324 BUTT	2	DDF27	DDF27	DRB24 X 21DP DT FD	DRB24 X 21DP SG	2	S2724
OVS3093 AS BUTT 2DWR	2 2	DR1527 BUTT DR1524 BUTT	2	DDF30	DDF30	DRB27 X 21DP DT FD	DRB27 X 21DP SG	2	S3024
OVS3393 AS BUTT 2DWR	2 2	DR1627 BUTT DR1624 BUTT	2	DDF33	DDF33	DRB30 X 21DP DT FD	DRB30 X 21DP SG	2	S3324
SINGLE OVEN CABINETS WITH 4 BUTT DOORS AND 2 DRAWERS • 96" HIGH									
OVS2796 AS BUTT 2DWR	2 2	DR1330 BUTT DR1324 BUTT	2	DDF27	DDF27	DRB24 X 21DP DT FD	DRB24 X 21DP SG	2	S2724
OVS3096 AS BUTT 2DWR	2 2	DR1530 BUTT DR1524 BUTT	2	DDF30	DDF30	DRB27 X 21DP DT FD	DRB27 X 21DP SG	2	S3024
OVS3396 AS BUTT 2DWR	2 2	DR1630 BUTT DR1624 BUTT	2	DDF33	DDF33	DRB27 X 21DP DT FD	DRB30 X 21DP SG	2	S3324
SINGLE OVEN CABINETS WITH 4 BUTT DOORS, 2 DRAWERS AND 1 POT & PAN ORGANIZER • 84" HIGH									
OVS2784 BUTT 2DWR FABPPO	2 2	DR1318 BUTT DR1324 BUTT	2	DDF27	DDF27	DRB24 X 21DP DT FD	DRB24 X 21DP SG	1	N/A BPPOKFA24
OVS3084 BUTT 2DWR FABPPO	2 2	DR1518 BUTT DR1524 BUTT	2	DDF30	DDF30	DRB27 X 21DP DT FD	DRB27 X 21DP SG	1	N/A BPPOKFA27
OVS3384 BUTT 2DWR FABPPO	2 2	DR1618 BUTT DR1624 BUTT	2	DDF33	DDF33	DRB30 X 21DP DT FD	DRB30 X 21DP SG	1	N/A BPPOKFA30
SINGLE OVEN CABINETS WITH 4 BUTT DOORS, 2 DRAWERS AND 1 POT & PAN ORGANIZER • 90" HIGH									
OVS2790 BUTT 2DWR FABPPO	4	DR1324 BUTT	2	DDF27	DDF27	DRB24 X 21DP DT FD	DRB24 X 21DP SG	1 1	S2724 BPPOKFA24
OVS3090 BUTT 2DWR FABPPO	4	DR1524 BUTT	2	DDF30	DDF30	DRB27 X 21DP DT FD	DRB27 X 21DP SG	1 1	S3024 BPPOKFA27
OVS3390 BUTT 2DWR FABPPO	4	DR1624 BUTT	2	DDF33	DDF33	DRB27 X 21DP DT FD	DRB30 X 21DP SG	1 1	S3324 BPPOKFA30
SINGLE OVEN CABINETS WITH 4 BUTT DOORS, 2 DRAWERS AND 1 POT & PAN ORGANIZER • 93" HIGH									
OVS2793 BUTT 2DWR FABPPO	2 2	DR1327 BUTT DR1324 BUTT	2	DDF27	DDF27	DRB24 X 21DP DT FD	DRB24 X 21DP SG	2 1	S2724 BPPOKFA24
OVS3093 BUTT 2DWR FABPPO	2 2	DR1527 BUTT DR1524 BUTT	2	DDF30	DDF30	DRB27 X 21DP DT FD	DRB27 X 21DP SG	2 1	S3024 BPPOKFA27
OVS3393 BUTT 2DWR FABPPO	2 2	DR1627 BUTT DR1624 BUTT	2	DDF33	DDF33	DRB30 X 21DP DT FD	DRB30 X 21DP SG	2 1	S3324 BPPOKFA30
SINGLE OVEN CABINETS WITH 4 BUTT DOORS, 2 DRAWERS AND 1 POT & PAN ORGANIZER • 96" HIGH									
OVS2796 BUTT 2DWR FABPPO	2 2	DR1330 BUTT DR1324 BUTT	2	DDF27	DDF27	DRB24 X 21DP DT FD	DRB24 X 21DP SG	2 1	S2724 BPPOKFA24
OVS3096 BUTT 2DWR FABPPO	2 2	DR1530 BUTT DR1524 BUTT	2	DDF30	DDF30	DRB24 X 21DP DT FD	DRB27 X 21DP SG	2 1	S3024 BPPOKFA27
OVS3396 BUTT 2DWR FABPPO	2 2	DR1630 BUTT DR1624 BUTT	2	DDF33	DDF33	DRB30 X 21DP DT FD	DRB30 X 21DP SG	2 1	S3324 BPPOKFA30

SKU	DOOR		DRAWER FRONT		DRAWER BODY		ADJUSTABLE SHELF		
	Qty	Part Name	Qty	Full Overlay	Standard Overlay	PORTFOLIO SELECT	PORTFOLIO	*For All Plywood Construction Adjustable Shelf, refer to Parts Directory legend	
				Part Name	Part Name	Part Name	Part Name		*Part Name
SINGLE OVEN CABINETS WITH 2 BUTT DOORS AND 3 DRAWERS • 84" HIGH									
OVS2784 BUTT 3DWR	2	DR1318 BUTT	1 2	DDF27 DDF27M	DDF27 DDF27D	DRB24 X 21DP DT FD DRB24M X 21DP DT FD	DRB24 X 21DP SG DRB24M X 21DP SG	-	N/A
OVS3084 BUTT 3DWR	2	DR1518 BUTT	1 2	DDF30 DDF30M	DDF30 DDF30D	DRB27 X 21DP DT FD DRB27M X 21DP DT FD	DRB27 X 21DP SG DRB27M X 21DP SG	-	N/A
OVS3384 BUTT 3DWR	2	DR1618 BUTT	1 2	DDF33 DDF33M	DDF33 DDF33D	DRB30 X 21DP DT FD DRB30M X 21DP DT FD	DRB30 X 21DP SG DRB30M X 21DP SG	-	N/A
SINGLE OVEN CABINETS WITH 2 BUTT DOORS AND 3 DRAWERS • 90" HIGH									
OVS2790 AS BUTT 3DWR	2	DR1324 BUTT	1 2	DDF27 DDF27M	DDF27 DDF27D	DRB24 X 21DP DT FD DRB24M X 21DP DT FD	DRB24 X 21DP SG DRB24M X 21DP SG	1	S2724
OVS3090 AS BUTT 3DWR	2	DR1524 BUTT	1 2	DDF30 DDF30M	DDF30 DDF30D	DRB27 X 21DP DT FD DRB27M X 21DP DT FD	DRB27 X 21DP SG DRB27M X 21DP SG	1	S3024
OVS3390 AS BUTT 3DWR	2	DR1624 BUTT	1 2	DDF33 DDF33M	DDF33 DDF33D	DRB30 X 21DP DT FD DRB30M X 21DP DT FD	DRB30 X 21DP SG DRB30M X 21DP SG	1	S3324
SINGLE OVEN CABINETS WITH 2 BUTT DOORS AND 3 DRAWERS • 93" HIGH									
OVS2793 AS BUTT 3DWR	2	DR1327 BUTT	1 2	DDF27 DDF27M	DDF27 DDF27D	DRB24 X 21DP DT FD DRB24M X 21DP DT FD	DRB24 X 21DP SG DRB24M X 21DP SG	2	S2724
OVS3093 AS BUTT 3DWR	2	DR1527 BUTT	1 2	DDF30 DDF30M	DDF30 DDF30D	DRB27 X 21DP DT FD DRB27M X 21DP DT FD	DRB27 X 21DP SG DRB27M X 21DP SG	2	S3024
OVS3393 AS BUTT 3DWR	2	DR1627 BUTT	1 2	DDF33 DDF33M	DDF33 DDF33D	DRB30 X 21DP DT FD DRB30M X 21DP DT FD	DRB30 X 21DP SG DRB30M X 21DP SG	2	S3324
SINGLE OVEN CABINETS WITH 2 BUTT DOORS AND 3 DRAWERS • 96" HIGH									
OVS2796 AS BUTT 3DWR	2	DR1330 BUTT	1 2	DDF27 DDF27M	DDF27 DDF27D	DRB24 X 21DP DT FD DRB24M X 21DP DT FD	DRB24 X 21DP SG DRB24M X 21DP SG	2	S2724
OVS3096 AS BUTT 3DWR	2	DR1530 BUTT	1 2	DDF30 DDF30M	DDF30 DDF30D	DRB27 X 21DP DT FD DRB27M X 21DP DT FD	DRB27 X 21DP SG DRB27M X 21DP SG	2	S3024
OVS3396 AS BUTT 3DWR	2	DR1630 BUTT	1 2	DDF33 DDF33M	DDF33 DDF33D	DRB30 X 21DP DT FD DRB30M X 21DP DT FD	DRB30 X 21DP SG DRB30M X 21DP SG	2	S3324
SINGLE OVEN CABINETS WITH 2 BUTT DOORS 4 DRAWERS • 84" HIGH									
OVS2784 BUTT 4DWR	2	DR1318 BUTT	2 2	DDF27 DDF27M	DDF27 DDF27D	DRB24 X 21DP DT FD DRB24M X 21DP DT FD	DRB24 X 21DP SG DRB24M X 21DP SG	-	N/A
OVS3084 BUTT 4DWR	2	DR1518 BUTT	2 2	DDF30 DDF30M	DDF30 DDF30D	DRB27 X 21DP DT FD DRB27M X 21DP DT FD	DRB27 X 21DP SG DRB27M X 21DP SG	-	N/A
OVS3384 BUTT 4DWR	2	DR1618 BUTT	2 2	DDF33 DDF33M	DDF33 DDF33D	DRB30 X 21DP DT FD DRB30M X 21DP DT FD	DRB30 X 21DP SG DRB30M X 21DP SG	-	N/A
SINGLE OVEN CABINETS WITH 2 BUTT DOORS 4 DRAWERS • 90" HIGH									
OVS2790 AS BUTT 4DWR	2	DR1324 BUTT	2 2	DDF27 DDF27M	DDF27 DDF27D	DRB24 X 21DP DT FD DRB24M X 21DP DT FD	DRB24 X 21DP SG DRB24M X 21DP SG	1	S2724
OVS3090 AS BUTT 4DWR	2	DR1524 BUTT	2 2	DDF30 DDF30M	DDF30 DDF30D	DRB27 X 21DP DT FD DRB27M X 21DP DT FD	DRB27 X 21DP SG DRB27M X 21DP SG	1	S3024
OVS3390 AS BUTT 4DWR	2	DR1624 BUTT	2 2	DDF33 DDF33M	DDF33 DDF33D	DRB30 X 21DP DT FD DRB30M X 21DP DT FD	DRB30 X 21DP SG DRB30M X 21DP SG	1	S3324
SINGLE OVEN CABINETS WITH 2 BUTT DOORS 4 DRAWERS • 93" HIGH									
OVS2793 AS BUTT 4DWR	2	DR1327 BUTT	2 2	DDF27 DDF27M	DDF27 DDF27D	DRB24 X 21DP DT FD DRB24M X 21DP DT FD	DRB24 X 21DP SG DRB24M X 21DP SG	2	S2724
OVS3093 AS BUTT 4DWR	2	DR1527 BUTT	2 2	DDF30 DDF30M	DDF30 DDF30D	DRB27 X 21DP DT FD DRB27M X 21DP DT FD	DRB27 X 21DP SG DRB27M X 21DP SG	2	S3024
OVS3393 AS BUTT 4DWR	2	DR1627 BUTT	2 2	DDF33 DDF33M	DDF33 DDF33D	DRB30 X 21DP DT FD DRB30M X 21DP DT FD	DRB30 X 21DP SG DRB30M X 21DP SG	2	S3324
SINGLE OVEN CABINETS WITH 2 BUTT DOORS 4 DRAWERS • 96" HIGH									
OVS2796 AS BUTT 4DWR	2	DR1330 BUTT	2 2	DDF27 DDF27M	DDF27 DDF27D	DRB24 X 21DP DT FD DRB24M X 21DP DT FD	DRB24 X 21DP SG DRB24M X 21DP SG	2	S2724
OVS3096 AS BUTT 4DWR	2	DR1530 BUTT	2 2	DDF30 DDF30M	DDF30 DDF30D	DRB27 X 21DP DT FD DRB27M X 21DP DT FD	DRB27 X 21DP SG DRB27M X 21DP SG	2	S3024
OVS3396 AS BUTT 4DWR	2	DR1630 BUTT	2 2	DDF33 DDF33M	DDF33 DDF33D	DRB30 X 21DP DT FD DRB30M X 21DP DT FD	DRB30 X 21DP SG DRB30M X 21DP SG	2	S3324

SKU	DOOR		DRAWER FRONT		DRAWER BODY		ADJUSTABLE SHELF		
	Qty	Part Name	Qty	Part Name	Part Name	Part Name	Qty	*For All Plywood Construction Adjustable Shelf, refer to Parts Directory legend	
								*Part Name	
SINGLE OVEN CABINETS WITH 2 BUTT DOORS AND 2 DRAWERS • 84" HIGH									
OVS2784 BUTT 2DDWR	2	DR1318 BUTT	2	DDF27M	DDF27D	DRB24M X 21DP DT FD	DRB24M X 21DP SG	-	N/A
OVS3084 BUTT 2DDWR	2	DR1518 BUTT	2	DDF30M	DDF30D	DRB27M X 21DP DT FD	DRB27M X 21DP SG	-	N/A
OVS3384 BUTT 2DDWR	2	DR1618 BUTT	2	DDF33M	DDF33D	DRB30M X 21DP DT FD	DRB30M X 21DP SG	-	N/A
SINGLE OVEN CABINETS WITH 2 BUTT DOORS AND 2 DRAWERS • 90" HIGH									
OVS2790 AS BUTT 2DDWR	2	DR1324 BUTT	2	DDF27M	DDF27D	DRB24M X 21DP DT FD	DRB24M X 21DP SG	1	S2724
OVS3090 AS BUTT 2DDWR	2	DR1524 BUTT	2	DDF30M	DDF30D	DRB27M X 21DP DT FD	DRB27M X 21DP SG	1	S3024
OVS3390 AS BUTT 2DDWR	2	DR1624 BUTT	2	DDF33M	DDF33D	DRB30M X 21DP DT FD	DRB30M X 21DP SG	1	S3324
SINGLE OVEN CABINETS WITH 2 BUTT DOORS AND 2 DRAWERS • 93" HIGH									
OVS2793 AS BUTT 2DDWR	2	DR1327 BUTT	2	DDF27M	DDF27D	DRB24M X 21DP DT FD	DRB24M X 21DP SG	2	S2724
OVS3093 AS BUTT 2DDWR	2	DR1527 BUTT	2	DDF30M	DDF30D	DRB27M X 21DP DT FD	DRB27M X 21DP SG	2	S3024
OVS3393 AS BUTT 2DDWR	2	DR1627 BUTT	2	DDF33M	DDF33D	DRB30M X 21DP DT FD	DRB30M X 21DP SG	2	S3324
SINGLE OVEN CABINETS WITH 2 BUTT DOORS AND 2 DRAWERS • 96" HIGH									
OVS2796 AS BUTT 2DDWR	2	DR1330 BUTT	2	DDF27M	DDF27D	DRB24M X 21DP DT FD	DRB24M X 21DP SG	2	S2724
OVS3096 AS BUTT 2DDWR	2	DR1530 BUTT	2	DDF30M	DDF30D	DRB27M X 21DP DT FD	DRB27M X 21DP SG	2	S3024
OVS3396 AS BUTT 2DDWR	2	DR1630 BUTT	2	DDF33M	DDF33D	DRB30M X 21DP DT FD	DRB30M X 21DP SG	2	S3324

SKU	DOOR		ADJUSTABLE SHELF	
	Qty	Part Name	Qty	*For All Plywood Construction Adjustable Shelf, refer to Parts Directory legend
				*Part Name
DOUBLE OVEN CABINETS WITH 2 BUTT DOORS AND NO DRAWER • 84" HIGH				
OVD2784 BUTT NDWR	2	DR1318 BUTT	-	N/A
OVD3084 BUTT NDWR	2	DR1518 BUTT	-	N/A
OVD3384 BUTT NDWR	2	DR1618 BUTT	-	N/A
DOUBLE OVEN CABINETS WITH 2 BUTT DOORS AND NO DRAWER • 90" HIGH				
OVD2790 AS BUTT NDWR	2	DR1324 BUTT	1	S2724
OVD3090 AS BUTT NDWR	2	DR1524 BUTT	1	S3024
OVD3390 AS BUTT NDWR	2	DR1624 BUTT	1	S3324
DOUBLE OVEN CABINETS WITH 2 BUTT DOORS AND NO DRAWER • 93" HIGH				
OVD2793 AS BUTT NDWR	2	DR1327 BUTT	2	S2724
OVD3093 AS BUTT NDWR	2	DR1527 BUTT	2	S3024
OVD3393 AS BUTT NDWR	2	DR1627 BUTT	2	S3324
DOUBLE OVEN CABINETS WITH 2 BUTT DOORS AND NO DRAWER • 96" HIGH				
OVD2796 AS BUTT NDWR	2	DR1330 BUTT	2	S2724
OVD3096 AS BUTT NDWR	2	DR1530 BUTT	2	S3024
OVD3396 AS BUTT NDWR	2	DR1630 BUTT	2	S3324

SKU	DOOR		DRAWER FRONT		DRAWER BODY		ADJUSTABLE SHELF		
	Qty	Part Name	Qty	Part Name	Part Name	Part Name	Qty	*For All Plywood Construction Adjustable Shelf, refer to Parts Directory legend	
								*Part Name	
DOUBLE OVEN CABINETS WITH 2 BUTT DOORS, 1 DRAWER • 84" HIGH									
OVD2784 BUTT	2	DR1318 BUTT	1	DDFOV27	DDF27	DRB24 X 21DP DT FD	DRB24 X 21DP SG	-	N/A
OVD3084 BUTT	2	DR1518 BUTT	1	DDFOV30	DDF30	DRB27 X 21DP DT FD	DRB27 X 21DP SG	-	N/A
OVD3384 BUTT	2	DR1618 BUTT	1	DDFOV33	DDF33	DRB30 X 21DP DT FD	DRB30 X 21DP SG	-	N/A
DOUBLE OVEN CABINETS WITH 2 BUTT DOORS, 1 DRAWER • 90" HIGH									
OVD2790 AS BUTT	2	DR1324 BUTT	1	DDFOV27	DDF27	DRB24 X 21DP DT FD	DRB24 X 21DP SG	1	S2724
OVD3090 AS BUTT	2	DR1524 BUTT	1	DDFOV30	DDF30	DRB27 X 21DP DT FD	DRB27 X 21DP SG	1	S3024
OVD3390 AS BUTT	2	DR1624 BUTT	1	DDFOV33	DDF33	DRB30 X 21DP DT FD	DRB30 X 21DP SG	1	S3324
DOUBLE OVEN CABINETS WITH 2 BUTT DOORS, 1 DRAWER • 93" HIGH									
OVD2793 AS BUTT	2	DR1327 BUTT	1	DDFOV27	DDF27	DRB24 X 21DP DT FD	DRB24 X 21DP SG	2	S2724
OVD3093 AS BUTT	2	DR1527 BUTT	1	DDFOV30	DDF30	DRB27 X 21DP DT FD	DRB27 X 21DP SG	2	S3024
OVD3393 AS BUTT	2	DR1627 BUTT	1	DDFOV33	DDF33	DRB30 X 21DP DT FD	DRB30 X 21DP SG	2	S3324
DOUBLE OVEN CABINETS WITH 2 BUTT DOORS, 1 DRAWER • 96" HIGH									
OVD2796 AS BUTT	2	DR1330 BUTT	1	DDFOV27	DDF27	DRB24 X 21DP DT FD	DRB24 X 21DP SG	2	S2724
OVD3096 AS BUTT	2	DR1530 BUTT	1	DDFOV30	DDF30	DRB27 X 21DP DT FD	DRB27 X 21DP SG	2	S3024
OVD3396 AS BUTT	2	DR1630 BUTT	1	DDFOV33	DDF33	DRB30 X 21DP DT FD	DRB30 X 21DP SG	2	S3324
DOUBLE OVEN CABINETS WITH 2 BUTT DOORS AND 1 LARGE DRAWER • 84" HIGH									
OVD2784 BUTT 1DDWR	2	DR1318 BUTT	1	DDF27M	DDF27D	DRB24M X 21DP DT FD	DRB24M X 21DP SG	-	N/A
OVD3084 BUTT 1DDWR	2	DR1518 BUTT	1	DDF30M	DDF30D	DRB27M X 21DP DT FD	DRB27M X 21DP SG	-	N/A
OVD3384 BUTT 1DDWR	2	DR1618 BUTT	1	DDF33M	DDF33D	DRB30M X 21DP DT FD	DRB30M X 21DP SG	-	N/A
DOUBLE OVEN CABINETS WITH 2 BUTT DOORS AND 1 LARGE DRAWER • 90" HIGH									
OVD2790 AS BUTT 1DDWR	2	DR1324 BUTT	1	DDF27M	DDF27D	DRB24M X 21DP DT FD	DRB24M X 21DP SG	1	S2724
OVD3090 AS BUTT 1DDWR	2	DR1524 BUTT	1	DDF30M	DDF30D	DRB27M X 21DP DT FD	DRB27M X 21DP SG	1	S3024
OVD3390 AS BUTT 1DDWR	2	DR1624 BUTT	1	DDF33M	DDF33D	DRB30M X 21DP DT FD	DRB30M X 21DP SG	1	S3324
DOUBLE OVEN CABINETS WITH 2 BUTT DOORS AND 1 LARGE DRAWER • 93" HIGH									
OVD2793 AS BUTT 1DDWR	2	DR1327 BUTT	1	DDF27M	DDF27D	DRB24M X 21DP DT FD	DRB24M X 21DP SG	2	S2724
OVD3093 AS BUTT 1DDWR	2	DR1527 BUTT	1	DDF30M	DDF30D	DRB27M X 21DP DT FD	DRB27M X 21DP SG	2	S3024
OVD3393 AS BUTT 1DDWR	2	DR1627 BUTT	1	DDF33M	DDF33D	DRB30M X 21DP DT FD	DRB30M X 21DP SG	2	S3324
DOUBLE OVEN CABINETS WITH 2 BUTT DOORS AND 1 LARGE DRAWER • 96" HIGH									
OVD2796 AS BUTT 1DDWR	2	DR1330 BUTT	1	DDF27M	DDF27D	DRB24M X 21DP DT FD	DRB24M X 21DP SG	2	S2724
OVD3096 AS BUTT 1DDWR	2	DR1530 BUTT	1	DDF30M	DDF30D	DRB27M X 21DP DT FD	DRB27M X 21DP SG	2	S3024
OVD3396 AS BUTT 1DDWR	2	DR1630 BUTT	1	DDF33M	DDF33D	DRB30M X 21DP DT FD	DRB30M X 21DP SG	2	S3324
DOUBLE OVEN CABINETS WITH 2 BUTT DOORS AND 2 DRAWERS • 84" HIGH									
OVD2784 BUTT 2DWR	2	DR1318 BUTT	2	DDF27	DDF27	DRB24 X 21DP DT FD	DRB24 X 21DP SG	-	N/A
OVD3084 BUTT 2DWR	2	DR1518 BUTT	2	DDF30	DDF30	DRB27 X 21DP DT FD	DRB27 X 21DP SG	-	N/A
OVD3384 BUTT 2DWR	2	DR1618 BUTT	2	DDF33	DDF33	DRB30 X 21DP DT FD	DRB30 X 21DP SG	-	N/A
DOUBLE OVEN CABINETS WITH 2 BUTT DOORS AND 2 DRAWERS • 90" HIGH									
OVD2790 AS BUTT 2DWR	2	DR1324 BUTT	2	DDF27	DDF27	DRB24 X 21DP DT FD	DRB24 X 21DP SG	1	S2724
OVD3090 AS BUTT 2DWR	2	DR1524 BUTT	2	DDF30	DDF30	DRB27 X 21DP DT FD	DRB27 X 21DP SG	1	S3024
OVD3390 AS BUTT 2DWR	2	DR1624 BUTT	2	DDF33	DDF33	DRB30 X 21DP DT FD	DRB30 X 21DP SG	1	S3324
DOUBLE OVEN CABINETS WITH 2 BUTT DOORS AND 2 DRAWERS • 93" HIGH									
OVD2793 AS BUTT 2DWR	2	DR1327 BUTT	2	DDF27	DDF27	DRB24 X 21DP DT FD	DRB24 X 21DP SG	2	S2724
OVD3093 AS BUTT 2DWR	2	DR1527 BUTT	2	DDF30	DDF30	DRB27 X 21DP DT FD	DRB27 X 21DP SG	2	S3024
OVD3393 AS BUTT 2DWR	2	DR1627 BUTT	2	DDF33	DDF33	DRB30 X 21DP DT FD	DRB30 X 21DP SG	2	S3324
DOUBLE OVEN CABINETS WITH 2 BUTT DOORS AND 2 DRAWERS • 96" HIGH									
OVD2796 AS BUTT 2DWR	2	DR1330 BUTT	2	DDF27	DDF27	DRB24 X 21DP DT FD	DRB24 X 21DP SG	2	S2724
OVD3096 AS BUTT 2DWR	2	DR1530 BUTT	2	DDF30	DDF30	DRB27 X 21DP DT FD	DRB27 X 21DP SG	2	S3024
OVD3396 AS BUTT 2DWR	2	DR1630 BUTT	2	DDF33	DDF33	DRB30 X 21DP DT FD	DRB30 X 21DP SG	2	S3324
OVEN MICROWAVE CABINET • 96" HIGH									
OMC3396 AS OS BUTT	2	DR1624 BUTT	1	DDFOV33	DDF33	DRB30 X 21DP DT FD	DRB30 X 21DP SG	1	S3324

SKU	DOOR		
	Qty	Full Overlay	Standard Overlay
		Part Name	Part Name
VANITY FULL-HEIGHT BASE • 34 1/2" HIGH			
VB1234H FH	1	DR12FH	DR1230
VB1534H FH	1	DR15FH	DR1530
VB1834H FH	1	DR18FH	DR1830
VB2434H BUTT FH	2	DR12BUTT FH	DR1230 BUTT
VB3034H BUTT FH	2	DR15BUTT FH	DR1530 BUTT
VB3634H BUTT FH	2	DR18BUTT FH	DR1830 BUTT

SKU	DOOR		DRAWER FRONT / PANEL		DRAWER BODY			
	Qty	Part Name	Qty	Full Overlay	Standard Overlay	Qty	PORTFOLIO SELECT	PORTFOLIO
				Part Name	Part Name		Part Name	Part Name
VANITY BASE • 31 1/8" HIGH								
VB12	1	DR1221V	1	DDF12	DDF12	1	DRB12 X 18DP DT FD	DRB12 X 18DP SG
VB15	1	DR1521V	1	DDF15	DDF15	1	DRB15 X 18DP DT FD	DRB15 X 18DP SG
VB18	1	DR1821V	1	DDF18	DDF18	1	DRB18 X 18DP DT FD	DRB18 X 18DP SG
VB21	1	DR2121V	1	DDF21	DDF21	1	DRB21 X 18DP DT FD	DRB21 X 18DP SG
VB24 BUTT	2	DR1221V BUTT	1	DDF24	DDF24	1	DRB24 X 18DP DT FD	DRB24 X 18DP SG
VB27 BUTT	2	DR1321V BUTT	1	DDF27	DDF27	1	DRB27 X 18DP DT FD	DRB27 X 18DP SG
VB30 BUTT	2	DR1521V BUTT	1	DDF30	DDF30	1	DRB30 X 18DP DT FD	DRB30 X 18DP SG
VB33 BUTT	2	DR1621V BUTT	1	DDF33	DDF33	1	DRB33 X 18DP DT FD	DRB33 X 18DP SG
VB36 BUTT	2	DR1821V BUTT	1	DDF36	DDF36	1	DRB36 X 18DP DT FD	DRB36 X 18DP SG
VANITY SINK BASE WITH TOP DRAWERS • 31 1/8" HIGH								
VAN36 BUTT	2	DR1821V BUTT	3	DDF12	DDF12	2	DRB10 X 18DP DT FD	DRB10 X 18DP SG
VAN39	2	DR1921V	2	DDF12 DDF15	DDF12 DDF15	2	DRB12 X 18DP DT FD	DRB12 X 18DP SG
VAN42	2	DR2121V	2	DDF12 DDF18	DDF12 DDF18	2	DRB12 X 18DP DT FD	DRB12 X 18DP SG
VAN48	2	DR1521V DR1821V	2	DDF15 DDF18	DDF15 DDF18	2	DRB15 X 18DP DT FD	DRB15 X 18DP SG
VAN54 BK BUTT	2	DR1221V DR1521V BUTT	2	DDF12 DDF30	DDF12 DDF30	2	DRB12 X 18DP DT FD	DRB12 X 18DP SG
VAN60 BK BUTT	2	DR1521V DR1521V BUTT	2	DDF15 DDF30	DDF15 DDF30	2	DRB15 X 18DP DT FD	DRB15 X 18DP SG
VANITY COMBO SINK BASE • 18" DEEP X 31 1/8" HIGH								
VSDB2418 BK	1	DR1221V	3	DDF12 DDF12VD	DDF12 DDF12D	1	DRB12 X 15DP DT FD DRB12M X 15DP DT FD	DRB12 X 15DP SG DRB12M X 15DP SG
VSDB2718 BK	1	DR1521V	1	DDF15 DDF12 DDF12VD	DDF15 DDF12 DDF12D	1	DRB12 X 15DP DT FD DRB12M X 15DP DT FD	DRB12 X 15DP SG DRB12M X 15DP SG
VSDB3018 BK	1	DR1821V	1	DDF18 DDF12 DDF12VD	DDF18 DDF12 DDF12D	1	DRB12 X 15DP DT FD DRB12M X 15DP DT FD	DRB12 X 15DP SG DRB12M X 15DP SG
VSDB3318 BK	1	DR2121V	1	DDF21 DDF12 DDF12VD	DDF21 DDF12 DDF12D	1	DRB12 X 15DP DT FD DRB12M X 15DP DT FD	DRB12 X 15DP SG DRB12M X 15DP SG
VSDB3618 BK	1	DR2121V	1	DDF21 DDF15 DDF15VD	DDF21 DDF15 DDF15D	1	DRB15 X 15DP DT FD DRB15M X 15DP DT FD	DRB15 X 15DP SG DRB15M X 15DP SG

SKU	DOOR		DRAWER FRONT / PANEL		DRAWER BODY			
	Qty	Part Name	Qty	Full Overlay	Standard Overlay	Qty	PORTFOLIO SELECT	PORTFOLIO
				Part Name	Part Name		Part Name	Part Name
VANITY COMBO SINK BASE • 31 1/8" HIGH								
VSDB24 BK	1	DR1221V	3	DDF12 DDF12VD	DDF12 DDF12D	1	DRB12 X 18DP DT FD DRB12M X 18DP DT FD	DRB12 X 18DP SG DRB12M X 18DP SG
VSDB27 BK	1	DR1521V	1	DDF15 DDF12 DDF12VD	DDF15 DDF12 DDF12D	1	DRB12 X 18DP DT FD DRB12M X 18DP DT FD	DRB12 X 18DP SG DRB12M X 18DP SG
VSDB30 BK	1	DR1821V	1	DDF18 DDF12 DDF12VD	DDF18 DDF12 DDF12D	1	DRB12 X 18DP DT FD DRB12M X 18DP DT FD	DRB12 X 18DP SG DRB12M X 18DP SG
VSDB33 BK	1	DR2121V	1	DDF21 DDF12 DDF12VD	DDF21 DDF12 DDF12D	1	DRB12 X 18DP DT FD DRB12M X 18DP DT FD	DRB12 X 18DP SG DRB12M X 18DP SG
VSDB36 BK	1	DR2121V	1	DDF21 DDF15 DDF15VD	DDF21 DDF15 DDF15D	1	DRB15 X 18DP DT FD DRB15M X 18DP DT FD	DRB15 X 18DP SG DRB15M X 18DP SG
VSDB42 BK BUTT	2	DR1521V BUTT	1	DDF30 DDF12 DDF12VD	DDF30 DDF12 DDF12D	2	DRB12 X 18DP DT FD DRB12M X 18DP DT FD	DRB12 X 18DP SG DRB12M X 18DP SG
VSDB48D BK BUTT	2	DR1221V BUTT	1	DDF24 DDF12 DDF12VD	DDF24 DDF12 DDF12D	4	DRB12 X 18DP DT FD DRB12M X 18DP DT FD	DRB12 X 18DP SG DRB12M X 18DP SG
VSDB54D BK BUTT	2	DR1221V BUTT	1	DDF24 DDF15 DDF15VD	DDF24 DDF15 DDF15D	4	DRB15 X 18DP DT FD DRB15M X 18DP DT FD	DRB15 X 18DP SG DRB15M X 18DP SG
VSDB60C BK BUTT	4	DR1221V BUTT	2	DDF24 DDF12 DDF12VD	DDF24 DDF12 DDF12D	2	DRB12 X 18DP DT FD DRB12M X 18DP DT FD	DRB12 X 18DP SG DRB12M X 18DP SG
VSDB60D BK BUTT	2	DR1521V BUTT	1	DDF30 DDF15 DDF15VD	DDF30 DDF15 DDF15D	4	DRB15 X 18DP DT FD DRB15M X 18DP DT FD	DRB15 X 18DP SG DRB15M X 18DP SG
VANITY BASE • 34 1/2" HIGH								
VB1234H	1	DR1224	1	DDF12	DDF12	1	DRB12 X 18DP DT FD	DRB12 X 18DP SG
VB1534H	1	DR1524	1	DDF15	DDF15	1	DRB15 X 18DP DT FD	DRB15 X 18DP SG
VB1834H	1	DR1824	1	DDF18	DDF18	1	DRB18 X 18DP DT FD	DRB18 X 18DP SG
VB2134H	1	DR2124	1	DDF21	DDF21	1	DRB21 X 18DP DT FD	DRB21 X 18DP SG
VB2434H BUTT	2	DR1224 BUTT	1	DDF24	DDF24	1	DRB24 X 18DP DT FD	DRB24 X 18DP SG
VB2734H BUTT	2	DR1324 BUTT	1	DDF27	DDF27	1	DRB27 X 18DP DT FD	DRB27 X 18DP SG
VB3034H BUTT	2	DR1524 BUTT	1	DDF30	DDF30	1	DRB30 X 18DP DT FD	DRB30 X 18DP SG
VB3334H BUTT	2	DR1624 BUTT	1	DDF33	DDF33	1	DRB33 X 18DP DT FD	DRB33 X 18DP SG
VB3634H BUTT	2	DR1824 BUTT	1	DDF36	DDF36	1	DRB36 X 18DP DT FD	DRB36 X 18DP SG
VANITY BASE WITH BOTTOM MOUNT WASTEBASKET • 34 1/2" HIGH								
VWBB1834H	1	DR1824 ND	1	DDF18	DDF18	1	DRB18 X 18DP DT FD VWBB1834H_OL KIT	DRB18 X 18DP DT UN VWBB1834H_OL KIT
VANITY SINK BASE WITH TOP DRAWERS • 34 1/2" HIGH								
VAN3634H BUTT	2	DR1824 BUTT	3	DDF12	DDF12	2	DRB10 X 18DP DT FD	DRB10 X 18DP SG
VAN3934H	2	DR1924	2	DDF12 DDF15	DDF12 DDF15	2	DRB12 X 18DP DT FD	DRB12 X 18DP SG
VAN4234H	2	DR2124	2	DDF12 DDF18	DDF12 DDF18	2	DRB12 X 18DP DT FD	DRB12 X 18DP SG
VAN4834H	2	DR1524 DR1824	2	DDF15 DDF18	DDF15 DDF18	2	DRB15 X 18DP DT FD	DRB15 X 18DP SG
VAN5434H BK BUTT	2	DR1224 DR1524 BUTT	2	DDF12 DDF30	DDF12 DDF30	2	DRB12 X 18DP DT FD	DRB12 X 18DP SG
VAN6034H BK BUTT	2	DR1524 DR1524 BUTT	2	DDF15 DDF30	DDF15 DDF30	2	DRB15 X 18DP DT FD	DRB15 X 18DP SG

SKU	DOOR		DRAWER FRONT / PANEL			DRAWER BODY		
	Qty	Part Name	Qty	Full Overlay	Standard Overlay	Qty	PORTFOLIO SELECT	PORTFOLIO
				Part Name	Part Name		Part Name	Part Name
VANITY COMBO SINK BASE • 18" DEEP X 34 1/2" HIGH								
VSDB241834H BK	1	DR1224	2 2	DDF12 DDF12M	DDF12 DDF12D	2	DRB12M X 15DP DT FD	DRB12M X 15DP SG
VSDB271834H BK	1	DR1524	1 1 2	DDF15 DDF12 DDF12M	DDF15 DDF12 DDF12D	2	DRB12M X 15DP DT FD	DRB12M X 15DP SG
VSDB301834H BK	1	DR1824	1 1 2	DDF18 DDF12 DDF12M	DDF18 DDF12 DDF12D	2	DRB12M X 15DP DT FD	DRB12M X 15DP SG
VSDB331834H BK	1	DR2124	1 2 1	DDF21 DDF12 DDF12M	DDF21 DDF12 DDF12D	2	DRB12M X 15DP DT FD	DRB12M X 15DP SG
VSDB361834H BK	1	DR2124	1 1 2	DDF21 DDF15 DDF15M	DDF21 DDF15 DDF15D	2	DRB15M X 15DP DT FD	DRB15M X 15DP SG
VANITY COMBO SINK BASE • 34 1/2" HIGH								
VSDB2434H BK	1	DR1224	2 2	DDF12 DDF12M	DDF12 DDF12D	2	DRB12M X 18DP DT FD	DRB12M X 18DP SG
VSDB2734H BK	1	DR1524	1 1 2	DDF15 DDF12 DDF12M	DDF15 DDF12 DDF12D	2	DRB12M X 18DP DT FD	DRB12M X 18DP SG
VSDB3034H BK	1	DR1824	1 1 2	DDF18 DDF12 DDF12M	DDF18 DDF12 DDF12D	2	DRB12M X 18DP DT FD	DRB12M X 18DP SG
VSDB3334H BK	1	DR2124	1 1 2	DDF21 DDF12 DDF12M	DDF21 DDF12 DDF12D	2	DRB12M X 18DP DT FD	DRB12M X 18DP SG
VSDB3634H BK	1	DR2124	1 1 2	DDF21 DDF15 DDF15M	DDF21 DDF15 DDF15D	2	DRB15M X 18DP DT FD	DRB15M X 18DP SG
VSDB3934H BK	1	DR2124	1 1 2	DDF21 DDF18 DDF18M	DDF21 DDF18 DDF18D	2	DRB18M X 18DP DT FD	DRB18M X 18DP SG
VSDB4234H BK BUTT	2	DR1524 BUTT	1 1 2	DDF30 DDF12 DDF12M	DDF30 DDF12 DDF12D	1 2	DRB12 X 18DP DT FD DRB12M X 18DP DT FD	DRB12 X 18DP SG DRB12M X 18DP SG
VSDB4834HD BK BUTT	2	DR1224 BUTT	1 2 4	DDF24 DDF12 DDF12M	DDF24 DDF12 DDF12D	2 4	DRB12 X 18DP DT FD DRB12M X 18DP DT FD	DRB12 X 18DP SG DRB12M X 18DP SG
VSDB5434HD BK BUTT	2	DR1224 BUTT	1 2 4	DDF24 DDF15 DDF15M	DDF24 DDF15 DDF15D	2 4	DRB15 X 18DP DT FD DRB15M X 18DP DT FD	DRB15 X 18DP SG DRB15M X 18DP SG
VSDB6034HC BK BUTT	4	DR1224 BUTT	2 1 2	DDF24 DDF12 DDF12M	DDF24 DDF12 DDF12D	1 2	DRB12 X 18DP DT FD DRB12M X 18DP DT FD	DRB12 X 18DP SG DRB12M X 18DP SG
VSDB6034HD BK BUTT	2	DR1524 BUTT	1 2 4	DDF30 DDF15 DDF15M	DDF30 DDF15 DDF15D	2 4	DRB15 X 18DP DT FD DRB15M X 18DP DT FD	DRB15 X 18DP SG DRB15M X 18DP SG

SKU	DOOR / SPECIALTY DOOR			GLASS INSERT	ADJUSTABLE SHELF	
	Qty	Part Name	Part Name	Part Name	Qty	*For All Plywood Construction and/or Matching Interior Adjustable Shelf, refer to Parts Directory legend
						*Part Name
VANITY LINEN WITH ADJUSTABLE SHELVES						
VLC122184 AS	1 1	DR1230 DR1250	DR1230 SD	DGI-1230	5	S1221
VLC152184 AS	1 1	DR1530 DR1550	DR1530 SD	DGI-1530	5	S1521
VLC182184 AS	1 1	DR1830 DR1850	DR1830 SD	DGI-1830	5	S1821
VLC242184 AS BUTT	2 2	DR1230 BUTT DR1250 BUTT	DR1230 BUTT SD	DGI-1230 BUTT	5	S2421
VANITY LINEN WITH SLIDING SHELVES						
VLC122184 4SSK	1 1	DR1230 DR1250	DR1230 SD	DGI-1230	1 4	S1221 SSK1221
VLC152184 4SSK	1 1	DR1530 DR1550	DR1530 SD	DGI-1530	1 4	S1521 SSK1521
VLC182184 4SSK	1 1	DR1830 DR1850	DR1830 SD	DGI-1830	1 4	S1821 SSK1821
VLC242184 4SSK BUTT	2 2	DR1230 BUTT DR1250 BUTT	DR1230 BUTT SD	DGI-1230 BUTT	1 4	S2421 SSK2421
MEDICINE CABINET						
MC1530	1	DR1530	-	-	-	N/A
MCM1530	1	DRMCM1530	-	-	-	N/A
TRI-VIEW MIRROR						
TV3030	3	MIRROR TV3030	-	-	3 6	TV30 SHELF 9 TV30 SHELF 18
TV3630	3	MIRROR TV3630	-	-	3 6	TV36 SHELF 11 TV36 SHELF 22
VALET CABINET						
VC2436 BUTT	2	DR1224 BUTT	-	-	-	N/A

SKU	DOOR		DRAWER FRONT / PANEL	
	Qty	Part Name	Qty	Part Name
VANITY SINK BASE • 31 1/8" HIGH				
VSB15	1	DR1521V	1	DDF15
VSB18	1	DR1821V	1	DDF18
VSB21	1	DR2121V	1	DDF21
VSB24 BUTT	2	DR1221V BUTT	1	DDF24
VSB27 BUTT	2	DR1321V BUTT	1	DDF27
VSB30 BUTT	2	DR1521V BUTT	1	DDF30
VSB33 BUTT	2	DR1621V BUTT	1	DDF33
VSB36 BUTT	2	DR1821V BUTT	1	DDF36
VSB39	2	DR1921V	1	DDF39
VSB42	2	DR2121V	2	DDF21
VSB48	2 1	DR1521V DR1821V	2 1	DDF15 DDF18
VSB54 BUTT	4	DR1321V BUTT	2	DDF27
VSB60 BUTT	4	DR1521V BUTT	2	DDF30
VANITY SINK BASE • 18" DEEP X 31 1/8" HIGH				
VSB2418 BUTT	2	DR1221V BUTT	1	DDF24
VSB3018 BUTT	2	DR1521V BUTT	1	DDF30
VSB3618 BUTT	2	DR1821V BUTT	1	DDF36
VANITY SINK BASE • 34 1/2" HIGH				
VSB1534H	1	DR1524	1	DDF15
VSB1834H	1	DR1824	1	DDF18
VSB2134H	1	DR2124	1	DDF21
VSB2434H BUTT	2	DR1224 BUTT	1	DDF24
VSB2734H BUTT	2	DR1324 BUTT	1	DDF27
VSB3034H BUTT	2	DR1524 BUTT	1	DDF30
VSB3334H BUTT	2	DR1624 BUTT	1	DDF33
VSB3634H BUTT	2	DR1824 BUTT	1	DDF36
VSB3934H	2	DR1924	1	DDF39
VSB4234H	2	DR2124	2	DDF21
VSB4834H	2 1	DR1524 DR1824	2 1	DDF15 DDF18
VSB5434H BUTT	4	DR1324 BUTT	2	DDF27
VSB6034H BUTT	4	DR1524 BUTT	2	DDF30
VANITY SINK BASE • 18" DEEP X 34 1/2" HIGH				
VSB243418H BUTT	2	DR1224 BUTT	1	DDF24
VSB303418H BUTT	2	DR1524 BUTT	1	DDF30
VSB363418H BUTT	2	DR1824 BUTT	1	DDF36
VANITY SINK FRONT				
VSF21	1	DR2121V	1	DDF21
VSF24 BUTT	2	DR1221V BUTT	1	DDF24
VSF30 BUTT	2	DR1521V BUTT	1	DDF30
VSF36 BUTT	2	DR1821V BUTT	1	DDF36
VSF39	2	DR1921V	2	DDF19
VSF42	2	DR2121V	2	DDF21
VSF48	2 1	DR1521V DR1821V	2 1	DDF15 DDF18

SKU	Qty	DRAWER FRONT		DRAWER BODY	
		Full Overlay	Standard Overlay	PORTFOLIO SELECT	PORTFOLIO
		Part Name	Part Name	Part Name	Part Name
VANITY DRAWER BASE • 31 1/8" HIGH					
VDB12	2 1	DDF12 DDF12VD	DDF12 DDF12D	DRB12 X 18DP DT FD DRB12M X 18DP DT FD	DRB12 X 18DP SG DRB12M X 18DP SG
VDB15	2 1	DDF15 DDF15VD	DDF15 DDF15D	DRB15 X 18DP DT FD DRB15M X 18DP DT FD	DRB15 X 18DP SG DRB15M X 18DP SG
VDB18	2 1	DDF18 DDF18VD	DDF18 DDF18D	DRB18 X 18DP DT FD DRB18M X 18DP DT FD	DRB18 X 18DP SG DRB18M X 18DP SG
VDB21	2 1	DDF21 DDF21VD	DDF21 DDF21D	DRB21 X 18DP DT FD DRB21M X 18DP DT FD	DRB21 X 18DP SG DRB21M X 18DP SG
VDB24	2 1	DDF24 DDF24VD	DDF24 DDF24D	DRB24 X 18DP DT FD DRB24M X 18DP DT FD	DRB24 X 18DP SG DRB24M X 18DP SG
VANITY DRAWER BASE • 34 1/2" HIGH					
VDB1234H	1 2	DDF12 DDF12M	DDF12 DDF12D	DRB12 X 18DP DT FD DRB12M X 18DP DT FD	DRB12 X 18DP SG DRB12M X 18DP SG
VDB1534H	1 2	DDF15 DDF15M	DDF15 DDF15D	DRB15 X 18DP DT FD DRB15M X 18DP DT FD	DRB15 X 18DP SG DRB15M X 18DP SG
VDB1834H	1 2	DDF18 DDF18M	DDF18 DDF18D	DRB18 X 18DP DT FD DRB18M X 18DP DT FD	DRB18 X 18DP SG DRB18M X 18DP SG
VDB2134H	1 2	DDF21 DDF21M	DDF21 DDF21D	DRB21 X 18DP DT FD DRB21M X 18DP DT FD	DRB21 X 18DP SG DRB21M X 18DP SG
VDB2434H	1 2	DDF24 DDF24M	DDF24 DDF24D	DRB24 X 18DP DT FD DRB24M X 18DP DT FD	DRB24 X 18DP SG DRB24M X 18DP SG

SKU	DRAWER FRONT				DRAWER BODY/ACCESSORY	
	Qty	Full Overlay	Standard Overlay	PORTFOLIO SELECT	PORTFOLIO	
		Part Name	Part Name	Part Name	Part Name	
KNEEHOLE DRAWER CABINET						
KDC27/21	1	DDFKDC27/21	DDFKDC27/21	DRBKDC27X 15DP DT FD	DRBKDC27X 15DP DT SG	
KDC33/27	1	DDFKDC33/27	DDFKDC33/27	DRBKDC33X 15DP DT FD	DRBKDC33X 15DP DT SG	
KDC36/33	1	DDFKDC36/33	DDFKDC36/33	DRBKDC36X 15DP DT FD	DRBKDC36X 15DP DT SG	
DESK DRAWER BASE • 21" DEEP						
DDR1221	2 1	DDF12 DDF12M	DDF12 DDF12D	DRB12 X 18DP DT FD DRB12M X 18DP DT FD	DRB12 X 18DP SG DRB12M X 18DP SG	
DDR1521	2 1	DDF15 DDF15M	DDF15 DDF15D	DRB15 X 18DP DT FD DRB15M X 18DP DT FD	DRB15 X 18DP SG DRB15M X 18DP SG	
DDR1821	2 1	DDF18 DDF18M	DDF18 DDF18D	DRB18 X 18DP DT FD DRB18M X 18DP DT FD	DRB18 X 18DP SG DRB18M X 18DP SG	
DDR2121	2 1	DDF21 DDF21M	DDF21 DDF21D	DRB21 X 18DP DT FD DRB21M X 18DP DT FD	DRB21 X 18DP SG DRB21M X 18DP SG	
DDR2421	2 1	DDF24 DDF24M	DDF24 DDF24D	DRB24 X 18DP DT FD DRB24M X 18DP DT FD	DRB24 X 18DP SG DRB24M X 18DP SG	
DESK DRAWER BASE • 24" DEEP						
DDR1224	2 1	DDF12 DDF12M	DDF12 DDF12D	DRB12 X 21DP DT FD DRB12M X 21DP DT FD	DRB12 X 21DP SG DRB12M X 21DP SG	
DDR1524	2 1	DDF15 DDF15M	DDF15 DDF15D	DRB15 X 21DP DT FD DRB15M X 21DP DT FD	DRB15 X 21DP SG DRB15M X 21DP SG	
DDR1824	2 1	DDF18 DDF18M	DDF18 DDF18D	DRB18 X 21DP DT FD DRB18M X 21DP DT FD	DRB18 X 21DP SG DRB18M X 21DP SG	
DDR2124	2 1	DDF21 DDF21M	DDF21 DDF21D	DRB21 X 21DP DT FD DRB21M X 21DP DT FD	DRB21 X 21DP SG DRB21M X 21DP SG	
DDR2424	2 1	DDF24 DDF24M	DDF24 DDF24D	DRB24 X 21DP DT FD DRB24M X 21DP DT FD	DRB24 X 21DP SG DRB24M X 21DP SG	
DESK FILE PULL-OUT CABINET						
DFDC1821	1 1	DDF18 DR1818	DDF18 DR1818	DRB18 X 18DP DT FD DFDC FILE UNIT 21	DRB18 X 18DP DT FD DFDC FILE UNIT 21	
DFDC1824	1 1	DDF18 DR1818	DDF18 DR1818	DRB18 X 21DP DT FD DFDC FILE UNIT 24	DRB18 X 21DP DT FD DFDC FILE UNIT 24	
FULL-HEIGHT DESK WITH BOTTOM MOUNT WASTEBASKET(S)						
DWBB1821	1	DR1824 ND	DR1824 ND	DWBB1821_OL KIT	DWBB1821_OL KIT	
DWBB1824	1	DR1824 ND	DR1824 ND	DWBB1824_OL KIT	DWBB1824_OL KIT	

SKU	DOOR		DRAWER FRONT		DRAWER BODY		ADJUSTABLE SHELF		
	Qty	Part Name	Full Overlay	Standard Overlay	PORTFOLIO SELECT	PORTFOLIO	Qty	*Part Name	
			Part Name	Part Name	Part Name	Part Name			
DESK DOOR • 21" DEEP									
DDO1221	1	DR1218	1	DDF12	DDF12	DRB12 X 18DP DT FD	DRB12 X 18DP SG	1	12" SHELF 21DP 3/4
DDO1521	1	DR1518	1	DDF15	DDF15	DRB15 X 18DP DT FD	DRB15 X 18DP SG	1	15" SHELF 21DP 3/4
DDO1821	1	DR1818	1	DDF18	DDF18	DRB18 X 18DP DT FD	DRB18 X 18DP SG	1	18" SHELF 21DP 3/4
DDO2121	1	DR2118	1	DDF21	DDF21	DRB21 X 18DP DT FD	DRB21 X 18DP SG	1	21" SHELF 21DP 3/4
DDO2421 BUTT	2	DR1218 BUTT	1	DDF24	DDF24	DRB24 X 18DP DT FD	DRB24 X 18DP SG	1	24" SHELF 21DP 3/4
DESK DOOR • 24" DEEP									
DDO1224	1	DR1218	1	DDF12	DDF12	DRB12 X 21DP DT FD	DRB12 X 21DP SG	1	12" SHELF 24DP 3/4
DDO1524	1	DR1518	1	DDF15	DDF15	DRB15 X 21DP DT FD	DRB15 X 21DP SG	1	15" SHELF 24DP 3/4
DDO1824	1	DR1818	1	DDF18	DDF18	DRB18 X 21DP DT FD	DRB18 X 21DP SG	1	18" SHELF 24DP 3/4
DDO2124	1	DR2118	1	DDF21	DDF21	DRB21 X 21DP DT FD	DRB21 X 21DP SG	1	21" SHELF 24DP 3/4
DDO2424 BUTT	2	DR1218 BUTT	1	DDF24	DDF24	DRB24 X 21DP DT FD	DRB24 X 21DP SG	1	24" SHELF 24DP 3/4

SKU	Qty	DOOR		SHELF / ACCESSORY	
		Part Name	Qty	*For All Plywood Construction Adjustable Shelf, refer to Parts Directory legend	
				*Part Name	
UNIVERSAL DESIGN BASE					
B24 UD BUTT	2	DR1224 BUTT	1	24" SHELF 3/4	
B27 UD BUTT	2	DR1324 BUTT	1	27" SHELF 3/4	
B30 UD BUTT	2	DR1524 BUTT	1	30" SHELF 3/4	
B33 UD BUTT	2	DR1624 BUTT	1	33" SHELF 3/4	
B36 UD BUTT	2	DR1824 BUTT	1	36" SHELF 3/4	
B39 UD	2	DR1924	1	39" SHELF 3/4	
B42 UD	2	DR2124	1	42" SHELF 3/4	
B45 UD	3	DR1524	1	45" SHELF 3/4	
UNIVERSAL DESIGN BASE WITH ONE SLIDING SHELF					
B12 SS1 UD	1	DR1224	1	SSK12	
B15 SS1 UD	1	DR1524	1	SSK15	
B18 SS1 UD	1	DR1824	1	SSK18	
B21 SS1 UD	1	DR2124	1	SSK21	
B24 SS1 UD BUTT	2	DR1224 BUTT	1	SSK24	
UNIVERSAL DESIGN BASE WITH TWO SLIDING SHELVES					
B12 SS2 UD	1	DR1224	2	SSK12	
B15 SS2 UD	1	DR1524	2	SSK15	
B18 SS2 UD	1	DR1824	2	SSK18	
B21 SS2 UD	1	DR2124	2	SSK21	
B24 SS2 UD BUTT	2	DR1224 BUTT	2	SSK24	
UNIVERSAL DESIGN CORNER BASE SUSAN					
CBS36 UD	1	DR1524	1	CBS36 SHELF RAS	
UNIVERSAL DESIGN SINK BASE					
SB30 UD BUTT	2	DR1524 BUTT	-	N/A	
SB33 UD BUTT	2	DR1624 BUTT	-	N/A	
SB36 UD BUTT	2	DR1824 BUTT	-	N/A	

SKU	DOOR		DRAWER FRONT		DRAWER BODY	
	Qty	Part Name	Full Overlay	Standard Overlay	PORTFOLIO SELECT	PORTFOLIO
			Part Name	Part Name	Part Name	Part Name
UNIVERSAL DESIGN SINGLE OVEN						
OVS3384 UD BUTT	2	DR1627 BUTT	1	DDF33M	DDF33D	DRB30M X 21DP DT FD DRB30M X 21DP SG
UNIVERSAL DESIGN BASE MULTI-USE						
BMU30 UD	-	N/A	1	DDF30	DDF30	DRB30 X 21DP DT FD DRB30 X 21DP SG
UNIVERSAL DESIGN DRAWER BASE						
DB12 UD	-	N/A	2 1	DDF12 DDF12M	DDF12 DDF12D	DRB12 X 21DP DT FD DRB12M X 21DP DT FD DRB12 X 21DP SG DRB12M X 21DP SG
DB15 UD	-	N/A	2 1	DDF15 DDF15M	DDF15 DDF15D	DRB15 X 21DP DT FD DRB15M X 21DP DT FD DRB15 X 21DP SG DRB15M X 21DP SG
DB18 UD	-	N/A	2 1	DDF18 DDF18M	DDF18 DDF18D	DRB18 X 21DP DT FD DRB18M X 21DP DT FD DRB18 X 21DP SG DRB18M X 21DP SG
DB21 UD	-	N/A	2 1	DDF21 DDF21M	DDF21 DDF21D	DRB21 X 21DP DT FD DRB21M X 21DP DT FD DRB21 X 21DP SG DRB21M X 21DP SG
DB24 UD	-	N/A	2 1	DDF24 DDF24M	DDF24 DDF24D	DRB24 X 21DP DT FD DRB24M X 21DP DT FD DRB24 X 21DP SG DRB24M X 21DP SG
UNIVERSAL DESIGN BASE PLUMBING SKIRT						
BPS30 UD	-	N/A	1	DDFKDC33/27	DDFKDC30/27	N/A N/A
BPS36 UD	-	N/A	1	DDFKDC36/33	DDFKDC36/33	N/A N/A
UNIVERSAL DESIGN VANITY PLUMBING SKIRT						
VPS30 UD	-	N/A	1	DDFKDC33/27	DDFKDC30/27	N/A N/A
VPS36 UD	-	N/A	1	DDFKDC36/33	DDFKDC36/33	N/A N/A

SHELVES	
Part Name	Dimensions
3/4" Shelves	
9" SHELF 3/4	7 1/4" x 10 1/4" x 3/4"
12" SHELF 3/4	10 1/4" x 10 1/4" x 3/4"
15" SHELF 3/4	13 1/4" x 10 1/4" x 3/4"
18" SHELF 3/4	16 1/4" x 10 1/4" x 3/4"
21" SHELF 3/4	19 1/4" x 10 1/4" x 3/4"
24" SHELF 3/4	22 1/4" x 10 1/4" x 3/4"
27" SHELF 3/4	25 1/4" x 10 1/4" x 3/4"
30" SHELF 3/4	28 1/4" x 10 1/4" x 3/4"
33" SHELF 3/4	31 1/4" x 10 1/4" x 3/4"
36" SHELF 3/4	34 1/4" x 10 1/4" x 3/4"
39" SHELF 3/4	37 1/4" x 10 1/4" x 3/4"
42" SHELF 3/4	40 1/4" x 10 1/4" x 3/4"
45" SHELF 3/4	43 1/4" x 10 1/4" x 3/4"
48" SHELF 3/4	46 1/4" x 10 1/4" x 3/4"
12" SHELF PB 3/4	10 3/16" x 22 1/8" x 3/4"
18" SHELF PB 3/4	16 3/16" x 22 1/8" x 3/4"
24" SHELF PB 3/4	22 3/16" x 22 1/8" x 3/4"
24" SHELF PB 3/4	22 3/16" x 22 1/8" x 3/4"
30" SHELF PB 3/4	28 3/16" x 22 1/8" x 3/4"
36" SHELF PB 3/4	34 3/16" x 22 1/8" x 3/4"
42" SHELF PB 3/4	40 3/16" x 22 1/8" x 3/4"
12" SHELF PW 3/4	10 1/4" x 10 1/4" x 3/4"
15" SHELF PW 3/4	13 1/4" x 10 1/4" x 3/4"
18" SHELF PW 3/4	16 1/4" x 10 1/4" x 3/4"
24" SHELF PW 3/4	22 1/4" x 10 1/4" x 3/4"
30" SHELF PW 3/4	28 1/4" x 10 1/4" x 3/4"
36" SHELF PW 3/4	34 1/4" x 10 1/4" x 3/4"
42" SHELF PW 3/4	40 1/4" x 10 1/4" x 3/4"
S1212	10 1/4" x 10 1/4" x 3/4"
S1512	13 1/4" x 10 1/4" x 3/4"
S1812	16 1/4" x 10 1/4" x 3/4"
S2412	22 1/4" x 10 1/4" x 3/4"
S3612	34 3/16" x 10 1/4" x 3/4"
S1221	10 3/16" x 18 7/8" x 3/4"
S1521	13 3/16" x 18 7/8" x 3/4"
S1821	16 3/16" x 18 7/8" x 3/4"
S2421	22 3/16" x 18 7/8" x 3/4"
S1224	10 3/16" x 22 1/8" x 3/4"
S1524	13 3/16" x 22 1/8" x 3/4"
S1824	16 3/16" x 22 1/8" x 3/4"
S2424	22 3/16" x 22 1/8" x 3/4"
S2724	25 3/16" x 22 1/8" x 3/4"
S3024	28 3/16" x 22 1/8" x 3/4"
S3324	31 3/16" x 22 1/8" x 3/4"
S3624	34 3/16" x 22 1/8" x 3/4"
Oven Support Shelves	
OSS27	25 5/16" x 22 3/8"
OSS30	28 5/16" x 22 3/8"
OSS33	31 5/16" x 22 3/8"
Miscellaneous Shelves	
TV30 SHELF 9	8 7/8" x 3" x 1/2"
TV30 SHELF 18	17 9/32" x 3" x 1/2"
TV36 SHELF 11	10 7/8" x 3" x 1/2"
TV36 SHELF 22	21 9/32" x 3" x 1/2"
WMSC2718 TOP SHELF	25 1/4" x 16 1/4" x 3/4"

SLIDING ACCESSORIES	
Part Name	Dimensions
Sliding Shelves	
SSK12	8 1/2" x 21 3/16" x 2"
SSK15	11 1/2" x 21 3/16" x 2"
SSK16	13" x 21 3/16" x 2"
SSK18	14 1/2" x 21 3/16" x 2"
SSK19	16" x 21 3/16" x 2"
SSK21	17 1/2" x 21 3/16" x 2"
SSK24	20 1/2" x 21 3/16" x 2"
SSK27	23 1/2" x 21 3/16" x 2"
SSK30	26 1/2" x 21 3/16" x 2"
SSK33	29 1/2" x 21 3/16" x 2"
SSK36	32 1/2" x 21 3/16" x 2"
SSK1221	8 1/2" x 18 3/16" x 2"
SSK1521	11 1/2" x 18 3/16" x 2"
SSK1821	14 1/2" x 18 3/16" x 2"
SSK2421	20 1/2" x 18 3/16" x 2"
Base Pot & Pan Organizers	
BPPOKFA24	19 3/4" x 21" x 19"
BPPOKFA27	22 3/4" x 21" x 19"
BPPOKFA30	25 3/4" x 21" x 19"
BPPOKFA33	28 3/4" x 21" x 19"
BPPOKFA36	31 3/4" x 21" x 19"
Roll-Out Tray Dividers	
ROTDKFA12	7 3/4" x 21"
ROTDKFA15	10 3/4" x 21"

DRAWER FRONTS		
Part Name	Full Overlay	Standard Overlay
Standard Drawer Front		
DDF12	11 9/16" x 5 13/16"	9 7/8" x 5 1/8"
DDF15	14 9/16" x 5 13/16"	12 7/8" x 5 1/8"
DDF18	17 9/16" x 5 13/16"	15 7/8" x 5 1/8"
DDF19	19 1/16" x 5 13/16"	17 3/8" x 5 1/8"
DDF21	20 9/16" x 5 13/16"	18 7/8" x 5 1/8"
DDF24	23 9/16" x 5 13/16"	21 7/8" x 5 1/8"
DDF27	26 9/16" x 5 13/16"	24 7/8" x 5 1/8"
DDF30	29 9/16" x 5 13/16"	27 7/8" x 5 1/8"
DDF33	32 9/16" x 5 13/16"	30 7/8" x 5 1/8"
DDF36	35 9/16" x 5 13/16"	33 7/8" x 5 1/8"
DDF18 DRILL	17 9/16" x 5 13/16"	15 7/8" x 5 1/8"
DDF19 DRILL	19 1/16" x 5 13/16"	17 3/8" x 5 1/8"
DDF21 DRILL	20 9/16" x 5 13/16"	18 7/8" x 5 1/8"
DDF24 DRILL	23 9/16" x 5 13/16"	21 7/8" x 5 1/8"
DDF27 DRILL	26 9/16" x 5 13/16"	24 7/8" x 5 1/8"
DDF30 DRILL	29 9/16" x 5 13/16"	27 7/8" x 5 1/8"
DDF33 DRILL	32 9/16" x 5 13/16"	30 7/8" x 5 1/8"
DDF36 DRILL	35 9/16" x 5 13/16"	33 7/8" x 5 1/8"
DDFOV27	26 9/16" x 7 7/16"	-
DDFOV30	29 9/16" x 7 7/16"	-
DDFOV33	32 9/16" x 7 7/16"	-
Large Drawer Front		
DDF12D	-	9 7/8" x 10 13/16"
DDF12M	11 9/16" x 11 27/32"	-
DDF12VD	11 9/16" x 13 3/8"	-
DDF15D	-	12 7/8" x 10 13/16"
DDF15M	14 9/16" x 11 27/32"	-
DDF15VD	14 9/16" x 13 3/8"	-
DDF18D	-	15 7/8" x 10 13/16"
DDF18M	17 9/16" x 11 27/32"	-
DDF18VD	17 9/16" x 13 3/8"	-
DDF21D	-	18 7/8" x 10 13/16"
DDF21M	20 9/16" x 11 27/32"	-
DDF21VD	20 9/16" x 13 3/8"	-
DDF24D	-	21 7/8" x 10 13/16"
DDF24M	23 9/16" x 11 27/32"	-
DDF24VD	23 9/16" x 13 3/8"	-
DDF27D	-	24 7/8" x 10 13/16"
DDF27M	26 9/16" x 11 27/32"	-
DDF30D	-	27 7/8" x 10 13/16"
DDF30M	29 9/16" x 11 27/32"	-
DDF33D	-	30 7/8" x 10 13/16"
DDF33M	32 9/16" x 11 27/32"	-
DDF36D	-	33 7/8" x 10 13/16"
DDF36M	35 9/16" x 11 27/32"	-
2DB Drawer Front		
DDF30 2DB	29 9/16" x 14 27/32"	27 7/8" x 13 13/16"
DDF36 2DB	35 9/16" x 14 27/32"	33 7/8" x 13 13/16"
Miscellaneous Drawer Front		
DDFKDC27/21	20 9/16" x 4 7/16"	18 7/8" x 3 3/4"
DDFKDC33/27	26 9/16" x 4 7/16"	24 7/8" x 3 3/4"
DDFKDC36/33	32 9/16" x 4 7/16"	30 7/8" x 3 3/4"
DDF SDC	5 11/16" x 5 1/2" x 1/2"	5 11/16" x 5 1/2" x 1/2"

GLASS INSERTS				
	A, D5, G, I, 28, 30, 44, 47, 48	35, 54, 57, 58	39, 40, 42	D3, N, Y, 18, 19, 56
12" WIDE				
DGI-1218	8" x 13 15/16"	6 21/64" x 12 25/64"	6 21/64" x 12 25/64"	6 21/64" x 12 25/64"
DGI-1218 BUTT	8" x 13 15/16"	6 9/16" x 12 25/64"	6 21/64" x 12 25/64"	7 25/64" x 12 25/64"
DGI-1224	8" x 20 5/16"	6 21/64" x 18 49/64"	6 21/64" x 18 49/64"	6 21/64" x 18 49/64"
DGI-1224 BUTT	8" x 20 5/16"	6 9/16" x 18 49/64"	6 21/64" x 18 49/64"	7 25/64" x 18 49/64"
DGI-1230	8" x 25 15/16"	6 21/64" x 24 25/64"	6 21/64" x 24 25/64"	6 21/64" x 24 25/64"
DGI-1230 BUTT	8" x 25 15/16"	6 9/16" x 24 25/64"	6 21/64" x 24 25/64"	7 25/64" x 24 25/64"
DGI-1236	8" x 31 15/16"	6 21/64" x 30 25/64"	6 21/64" x 30 25/64"	6 21/64" x 30 25/64"
DGI-1236 BUTT	8" x 31 15/16"	6 9/16" x 30 25/64"	6 21/64" x 30 25/64"	7 25/64" x 30 25/64"
DGI-1239	8" x 34 15/16"	6 21/64" x 33 25/64"	6 21/64" x 33 25/64"	6 21/64" x 33 25/64"
DGI-1239 BUTT	8" x 34 15/16"	6 9/16" x 33 25/64"	6 21/64" x 33 25/64"	7 25/64" x 33 25/64"
DGI-1242	8" x 37 15/16"	6 21/64" x 36 25/64"	6 21/64" x 36 25/64"	6 21/64" x 36 25/64"
DGI-1242 BUTT	8" x 37 15/16"	6 9/16" x 36 25/64"	6 21/64" x 36 25/64"	7 25/64" x 36 25/64"
13" WIDE				
DGI-1318 BUTT	9 1/2" x 13 15/16"	8 1/16" x 12 25/64"	7 53/64" x 12 25/64"	8 57/64" x 12 25/64"
DGI-1324 BUTT	9 1/2" x 20 5/16"	8 1/16" x 18 49/64"	7 53/64" x 18 49/64"	8 57/64" x 18 49/64"
DGI-1330 BUTT	9 1/2" x 25 15/16"	8 1/16" x 24 25/64"	7 53/64" x 24 25/64"	8 57/64" x 24 25/64"
DGI-1336 BUTT	9 1/2" x 31 15/16"	8 1/16" x 30 25/64"	7 53/64" x 30 25/64"	8 57/64" x 30 25/64"
DGI-1339 BUTT	9 1/2" x 34 15/16"	8 1/16" x 33 25/64"	7 53/64" x 33 25/64"	8 57/64" x 33 25/64"
DGI-1342 BUTT	9 1/2" x 37 15/16"	6 9/16" x 36 25/64"	7 53/64" x 36 25/64"	8 57/64" x 36 25/64"
15" WIDE				
DGI-1512 BUTT	11" x 7 15/16"	9 9/16" x 6 25/64"	9 21/64" x 6 25/64"	10 25/64" x 6 25/64"
DGI-1515 BUTT	11" x 10 15/16"	9 9/16" x 9 25/64"	9 21/64" x 9 25/64"	10 25/64" x 9 25/64"
DGI-1518	11" x 13 15/16"	9 21/64" x 12 25/64"	9 21/64" x 12 25/64"	9 21/64" x 12 25/64"
DGI-1518 BUTT	11" x 13 15/16"	9 9/16" x 12 25/64"	9 21/64" x 12 25/64"	10 25/64" x 12 25/64"
DGI-1521 BUTT	11" x 16 7/16"	9 9/16" x 14 57/64"	9 21/64" x 14 57/64"	10 25/64" x 14 57/64"
DGI-1524	11" x 20 5/16"	9 21/64" x 18 49/64"	9 21/64" x 18 49/64"	9 21/64" x 18 49/64"
DGI-1524 BUTT	11" x 20 5/16"	9 9/16" x 18 49/64"	9 21/64" x 18 49/64"	10 25/64" x 18 49/64"
DGI-1527 BUTT	11" x 22 15/16"	9 9/16" x 21 25/64"	9 21/64" x 21 25/64"	10 25/64" x 21 25/64"
DGI-1530	11" x 25 15/16"	9 21/64" x 24 25/64"	9 21/64" x 24 25/64"	9 21/64" x 24 25/64"
DGI-1530 BUTT	11" x 25 15/16"	9 9/16" x 24 25/64"	9 21/64" x 24 25/64"	10 25/64" x 24 25/64"
DGI-1536	11" x 31 15/16"	9 21/64" x 30 25/64"	9 21/64" x 30 25/64"	9 21/64" x 30 25/64"
DGI-1536 BUTT	11" x 31 15/16"	9 9/16" x 30 25/64"	9 21/64" x 30 25/64"	10 25/64" x 30 25/64"
DGI-1539	11" x 34 15/16"	9 21/64" x 33 25/64"	9 21/64" x 33 25/64"	9 21/64" x 33 25/64"
DGI-1539 BUTT	11" x 34 15/16"	9 9/16" x 33 25/64"	9 21/64" x 33 25/64"	10 25/64" x 33 25/64"
DGI-1542	11" x 37 15/16"	9 21/64" x 36 25/64"	9 21/64" x 36 25/64"	9 21/64" x 36 25/64"
DGI-1542 BUTT	11" x 37 15/16"	9 9/16" x 36 25/64"	9 21/64" x 36 25/64"	10 25/64" x 36 25/64"
16" WIDE				
DGI-1612 BUTT	12 1/2" x 7 15/16"	11 1/16" x 6 25/64"	10 53/64" x 6 25/64"	11 57/64" x 6 25/64"
DGI-1615 BUTT	12 1/2" x 10 15/16"	11 1/16" x 9 25/64"	10 53/64" x 9 25/64"	11 57/64" x 9 25/64"
DGI-1618 BUTT	12 1/2" x 13 15/16"	11 1/16" x 12 25/64"	10 53/64" x 12 25/64"	11 57/64" x 12 25/64"
DGI-1621 BUTT	12 1/2" x 16 7/16"	11 1/16" x 14 57/64"	10 53/64" x 14 57/64"	11 57/64" x 14 57/64"
DGI-1624 BUTT	12 1/2" x 20 5/16"	11 1/16" x 18 49/64"	10 53/64" x 18 49/64"	11 57/64" x 18 49/64"
DGI-1630 BUTT	12 1/2" x 25 15/16"	11 1/16" x 24 25/64"	10 53/64" x 24 25/64"	11 57/64" x 24 25/64"
DGI-1636 BUTT	12 1/2" x 31 15/16"	11 1/16" x 30 25/64"	10 53/64" x 30 25/64"	11 57/64" x 30 25/64"
DGI-1639 BUTT	12 1/2" x 34 15/16"	11 1/16" x 33 25/64"	10 53/64" x 33 25/64"	11 57/64" x 33 25/64"
DGI-1642 BUTT	12 1/2" x 37 15/16"	11 1/16" x 36 25/64"	10 53/64" x 36 25/64"	11 57/64" x 36 25/64"

GLASS INSERTS				
	A, D5, G, I, 28, 30, 44, 47, 48	35, 54, 57, 58	39, 40, 42	D3, N, Y, 18, 19, 56
18" WIDE				
DGI-1812 BUTT	14" x 7 15/16"	12 9/16" x 6 25/64"	12 21/64" x 6 25/64"	13 25/64" x 6 25/64"
DGI-1815 BUTT	14" x 10 15/16"	12 9/16" x 9 25/64"	12 21/64" x 9 25/64"	13 25/64" x 9 25/64"
DGI-1818	14" x 13 15/16"	12 21/64" x 12 25/64"	12 21/64" x 12 25/64"	12 21/64" x 12 25/64"
DGI-1818 BUTT	14" x 13 15/16"	12 9/16" x 12 25/64"	12 21/64" x 12 25/64"	13 25/64" x 12 25/64"
DGI-1821 BUTT	14" x 16 7/16"	12 9/16" x 14 57/64"	12 21/64" x 14 57/64"	13 25/64" x 14 57/64"
DGI-1824	14" x 20 5/16"	12 21/64" x 18 49/64"	12 21/64" x 18 49/64"	12 21/64" x 18 49/64"
DGI-1824 BUTT	14" x 20 5/16"	12 9/16" x 18 49/64"	12 21/64" x 18 49/64"	13 25/64" x 18 49/64"
DGI-1830	14" x 25 15/16"	12 21/64" x 24 25/64"	12 21/64" x 24 25/64"	12 21/64" x 24 25/64"
DGI-1830 BUTT	14" x 25 15/16"	12 9/16" x 24 25/64"	12 21/64" x 24 25/64"	13 25/64" x 24 25/64"
DGI-1836	14" x 31 15/16"	12 21/64" x 30 25/64"	12 21/64" x 30 25/64"	12 21/64" x 30 25/64"
DGI-1836 BUTT	14" x 31 15/16"	12 9/16" x 30 25/64"	12 21/64" x 30 25/64"	13 25/64" x 30 25/64"
DGI-1839	14" x 34 15/16"	12 21/64" x 33 25/64"	12 21/64" x 33 25/64"	12 21/64" x 33 25/64"
DGI-1839 BUTT	14" x 34 15/16"	12 9/16" x 33 25/64"	12 21/64" x 33 25/64"	13 25/64" x 33 25/64"
DGI-1842	14" x 37 15/16"	12 21/64" x 36 25/64"	12 21/64" x 36 25/64"	12 21/64" x 36 25/64"
DGI-1842 BUTT	14" x 37 15/16"	12 9/16" x 36 25/64"	12 21/64" x 36 25/64"	13 25/64" x 36 25/64"
19" WIDE				
DGI-1912	15 1/2" x 7 15/16"	13 53/64" x 6 25/64"	13 53/64" x 6 25/64"	13 53/64" x 6 25/64"
DGI-1915	15 1/2" x 10 15/16"	13 53/64" x 9 25/64"	13 53/64" x 9 25/64"	13 53/64" x 9 25/64"
DGI-1918	15 1/2" x 13 15/16"	13 53/64" x 12 25/64"	13 53/64" x 12 25/64"	13 53/64" x 12 25/64"
DGI-1921	15 1/2" x 16 7/16"	13 53/64" x 14 57/64"	13 53/64" x 14 57/64"	13 53/64" x 14 57/64"
DGI-1924	15 1/2" x 20 5/16"	13 53/64" x 18 49/64"	13 53/64" x 18 49/64"	13 53/64" x 18 49/64"
DGI-1930	15 1/2" x 25 15/16"	13 53/64" x 24 25/64"	13 53/64" x 24 25/64"	13 53/64" x 24 25/64"
DGI-1936	15 1/2" x 31 15/16"	13 53/64" x 30 25/64"	13 53/64" x 30 25/64"	13 53/64" x 30 25/64"
DGI-1942	15 1/2" x 37 15/16"	13 53/64" x 36 25/64"	13 53/64" x 36 25/64"	13 53/64" x 36 25/64"
21" WIDE				
DGI-2118	17" x 13 15/16"	15 21/64" x 12 25/64"	15 21/64" x 12 25/64"	15 21/64" x 12 25/64"
DGI-2124	17" x 20 5/16"	15 21/64" x 18 49/64"	15 21/64" x 18 49/64"	15 21/64" x 18 49/64"
DGI-2130	17" x 25 15/16"	15 21/64" x 24 25/64"	15 21/64" x 24 25/64"	15 21/64" x 24 25/64"
DGI-2136	17" x 31 15/16"	15 21/64" x 30 25/64"	15 21/64" x 30 25/64"	15 21/64" x 30 25/64"
DGI-2139	17" x 34 15/16"	15 21/64" x 33 25/64"	15 21/64" x 33 25/64"	15 21/64" x 33 25/64"
DGI-2142	17" x 37 15/16"	15 21/64" x 36 25/64"	15 21/64" x 36 25/64"	15 21/64" x 36 25/64"

MISCELLANEOUS PARTS & ACCESSORIES

HINGES	
Part Name	Description
HINGE 170 FRAMED	Door-to-frame hinge for BER, BSS, CAR or WER cabinet
HINGE ER	Hinge for BER, BSS, CAR or WER24 cabinet
HINGE KIT TRI-VIEW	Hinge Kit for Tri-View Mirror (3 pulls & 3 hinges)
PCSK HINGE	Center hinge for PCSK36
HINGE TILT OUT 45	Hinge for Factory Installed Tilt-Out Tray
HINGE FOL 6WY 45	6-Way Adjustable Full Overlay (FOL) door hinge
HINGE SOL 6WY 45	6-Way Adjustable Standard Overlay (SOL) door hinge
HINGE FACEMOUNT 45	Hinge for facemount oven applications
HINGE FOL CC6WAY 45	Hinge with 6-Way Adjustment and CushionClose for FOL doors using the shallow cup
HINGE FOL CC6WAY 45DP	Hinge with 6-Way Adjustment and CushionClose for FOL doors using the deep cup
HINGE CCFACEMOUNT 45	Hinge with CushionClose for facemount oven applications
HINGE SOL CC6WAY 45	Hinge with 6-Way Adjustment and CushionClose for all SOL door styles
HINGE CC ANG RES CLP	Door Opening Angle Restriction Clip, 86 degrees (for use on integrated CushionClose Hinges only - qty 1 per hinge)
HINGE SPACER SHIM	Spaces shim installed between the hinge and face frame, adds inward left/right adjustment (for use on all hinges as needed)

GLIDES/TRACKS/CHANNELS FOR 21" DEEP VANITY/DESK	
Part Name	Description
CHANNEL V L	Left channel for 21" deep Vanity/Desk
CHANNEL V R	Right channel for 21" deep Vanity/Desk
TRACK V L	Left track for 21" deep Vanity/Desk
TRACK V R	Right track for 21" deep Vanity/Desk
GLIDE FD NCL VAN21	Left full-extension glide for 21" deep Vanity/Desk
GLIDE FD NCR VAN21	Right full-extension glide for 21" deep Vanity/Desk
GLIDE FD CCL VAN21	Left CushionClose Glide for 21" deep Vanity/Desk
GLIDE FD CCR VAN21	Right CushionClose Glide for 21" deep Vanity/Desk
GLIDE DROTCLVLC	Left full-extension CushionClose Vanity Linen Sliding Shelf Glide
GLIDE DROTCCRVLC	Right full-extension CushionClose Vanity Linen Sliding Shelf Glide
GLIDE DROTFAVLC	Left full-extension Vanity Linen Sliding Shelf Glide
GLIDE DROTFAVLC	Right full-extension Vanity Linen Sliding Shelf Glide

TRACKS/CHANNELS FOR 18" DEEP VANITY OR KNEEHOLE DRAWER CABINET	
Part Name	Description
CHANNEL V 18L	Left channel for 18" deep Vanity or for Kneehole Drawer Cabinet
CHANNEL V 18R	Right channel for 18" deep Vanity or for Kneehole Drawer Cabinet
TRACK GA 16L	Left track for 18" deep Vanity or for Kneehole Drawer Cabinet
TRACK GA 16R	Right track for 18" deep Vanity or for Kneehole Drawer Cabinet

WHITE PLASTIC SPIN SHELVES AND PARTS	
Part Name	Description
BSSCAR HUB RAS	With rollers, fits into shelf for pole attachment
BSSCWSCAR BRKT RAS	Top and bottom mounting brackets
BSSCWSCAR COLLAR ASM	Locking adjustable shelf collar for top shelf
BSSCWSCAR T-SHAFT RA	Metal post on which shelves spin (1 required)
BSS33 SHELF RAS	White spin shelf for BSS33/BSS3336/BSS3633 (2 required)
BSS36 SHELF RAS	White spin shelf for BSS36 (2 required)
BSS33 UNIT RAS	Complete spin unit for BSS33
BSS36 UNIT RAS	Complete spin unit for BSS36
CAR SHELF RAS	White spin shelf for CAR36 (2 required)
CAR36 UNIT RAS	Complete spin unit for CAR36
CBS SHELF RAS	White spin shelf for CBS36 (2 required)
CWS HUB RAS	With rollers, fits into shelf for pole attachment
CWS SHELF RAS	White spin shelf for CWS2430 (2 required)

WOOD SPIN SHELF UNITS - ALL PLYWOOD CONSTRUCTION	
Part Name	Description
BSS33 SHELF WD NP PLY	Wood spin unit and plywood shelf for BSS33 WD
BSS3336 SHELF WD NP PLY	Wood spin unit and plywood shelf for BSS3336 WD
BSS36 SHELF WD NP PLY	Wood spin unit and plywood shelf for BSS36 WD
BSS3633 SHELF WD NP PLY	Wood spin unit and plywood shelf for BSS3633 WD
CBS SHELF WD NP PLY	Wood spin unit and plywood shelf for CBS36 WD
CWS24 SHLF WD NP MI	Wood spin unit and matching interior shelf for CWS__WD
CWS24 SHLF WD NP PLY	Wood spin unit and plywood shelf for CWS__WD
CWS24 SHELF WDNPMIPLY	Wood spin unit and matching interior plywood shelf for CWS__WD

GLIDES/TRACKS/CHANNELS FOR 24" DEEP BASE/DESK OR SLIDING SHELF	
Part Name	Description
CHANNEL 21L	Left channel for 24" deep base/desk drawer and sliding shelf
CHANNEL 21R	Right channel for 24" deep base/desk drawer and sliding shelf
CHANNEL SS1 L	Left channel for sliding shelf
CHANNEL SS1R	Right channel for sliding shelf
GLIDE FD CCL24	Left CushionClose Glide
GLIDE FD CCR24	Right CushionClose Glide
GLIDE HD CCL24	Left CushionClose Glide for 2 Drawer Base and Bottom-Mounted Wastebasket cabinets
GLIDE HD CCR24	Right CushionClose Glide for 2 Drawer Base and Bottom-Mounted Wastebasket cabinets
GLIDE DROTCL24	Left CushionClose glide for SDROT, FABPPOK, SSK, FAROTDK
GLIDE DROTCCR24	Right CushionClose glide for SDROT, FABPPOK, SSK, FAROTDK
GLIDE DROTFA24	Left full-extension glide for FABPPOK, SSK, FAROTDK
GLIDE DROTFA24	Right full-extension glide for FABPPOK, SSK, FAROTDK
GLIDE FD NCL24	Left full-extension hidden glide
GLIDE FD NCR24	Right full-extension hidden glide
TRACK GA 21L	Left track for 24" deep base/desk drawer and sliding shelf
TRACK GA 21R	Right track for 24" deep base/desk drawer and sliding shelf

MISCELLANEOUS PARTS & ACCESSORIES

CLIPS / BRACKETS	
Part Name	Description
BRACKET CHAN B	Back bracket for side-mounted channels
BRACKET GLIDE HD BOT	Bottom bracket for 2 Drawer Base and Bottom-Mounted Wastebasket cabinets
BRACKET GL B DROTUNI	Back bracket for all OVD cabinets, KDC cabinets, SDROT's and any pull-out unit that features full-extension glides
BRACKET GL PBC L FG	Left back bracket for Peninsula Base Corner (PBC) full-extension hidden glide
BRACKET GL PBC R FG	Right back bracket for Peninsula Base Corner (PBC) full-extension hidden glide
BRACKET GL BD RDL FG	Left back bracket for any bottom drawer that uses the GLIDE FD CCL__ W/EXT (excluding PB, PBC, 2DB)
BRACKET GL BD RDR FG	Right back bracket for any bottom drawer that uses the GLIDE FD CCR__ W/EXT (excluding PB, PBC, 2DB)
BRACKET GL BD UNI FG	Left/right back bracket for any bottom drawer that uses the full-extension glide (excluding PB, PBC, 2DB)
BRACKET GL BD UNI FG	Left/right back bracket for any bottom drawer that use the GLIDE FD CC__ (excluding PB, PBC, 2DB)
BRACKET GL PB L FG	Left back bracket for Peninsula Base full-extension hidden glide
BRACKET GL PB R FG	Right back bracket for Peninsula Base full-extension hidden glide
BRACKET GL UD RDL FG	Left back bracket for any upper drawer(s) that uses the GLIDE FD CCL__ W/EXT (excluding PB, PBC, 2DB)
BRACKET GL UD RDR FG	Right back bracket for any upper drawer(s) that uses the GLIDE FD CCR__ W/EXT (excluding PB, PBC, 2DB)
BRACKET GL UD UNI FG	Left/right back bracket for any upper drawer(s) that use the GLIDE FD CC__ (excluding PB, PBC, 2DB)
BRACKET RED DP REAR	Back bracket for reduced depth side-mounted glide
CLIP HD DRB BACK L	Left back bracket for 2 Drawer Base and Bottom-Mounted Wastebasket cabinets
CLIP HD DRB BACK R	Right back bracket for 2 Drawer Base and Bottom-Mounted Wastebasket cabinets
CLIP DDF	Drawer front clip
CLIP MIRROR MCM FOL	Clip for MCM1530 full overlay Mirror door
CLIP MIRROR MCM SOL	Clip for MCM1530 standard overlay Mirror door
CLIP MIRROR TRIVIEW	Clip for TV3030/TV3630 Tri-View Mirror door
CLIP PILASTER	Shelf rest for PSK36 shelf and Pilaster Kit
CLIP REAR SHELF	Middle shelf rest for 27" or wider wall cabinet shelf
CLIP SHELF NP SPIN	Locking shelf clip for NP Spin Units (Base 4 required, Wall 5 required)
DDF BRACKET FOL	DDF attachment bracket for Kinsdale, New Haven w/ DFO and Maddox w/ DFO door styles and FOL Wastebasket cabinets
DDF BRACKET CCAP FOL	Cover cap for DDF attachment bracket for Kinsdale, New Haven w/ DFO and Maddox w/ DFO door styles and FOL Wastebasket cabinets
DDF BRACKET SOL	DDF attachment bracket for Downing door styles and SOL wastebasket cabinets
DDF BRACKET CCAP SOL	Cover cap DDF attachment bracket for Downing door styles and SOL wastebasket cabinets
DDF BRACKET FOL OVEN	Oven DDF attachment bracket for Kinsdale, New Haven w/ DFO and Maddox w/ DFO door styles
DDF BKT CCAP FOL OVEN	Cover cap oven DDF attachment bracket for Kinsdale, New Haven w/ DFO and Maddox w/ DFO door styles
DDF BRACKET SOLOVEN	Oven DDF attachment bracket for Downing door styles
DDF BKT CCAP SOL OVEN	Cover cap oven DDF attachment bracket for Downing door styles
DRB HD MOUNT CLIP L	Left drawer release clip for 2 Drawer Base and Bottom-Mounted Wastebasket cabinets
DRB HD MOUNT CLIP R	Right drawer release clip for 2 Drawer Base and Bottom-Mounted Wastebasket cabinets
DRB MOUNT CLIP L FD	Left drawer release clip for left full-extension hidden glide
DRB MOUNT CLIP R FD	Right drawer release clip for right full-extension hidden glide
DROTFA MOUNT CLIP L	Left release clip for SDROT
DROTFA MOUNT CLIP R	Right release clip for SDROT
MOUNT BRACKET GA SS1	Bracket for side-mounted channels
SHELF REST OSS 6PK	Package of six clips for Oven Support Shelf Kit
SHELF SUPT ADJ BASE	Middle shelf rest for 27" or wider base cabinet shelf
SPACER GL BD FRT FG	Left/right front drawer clip for bottom drawer on VDB__34H & DB__ cabinets (excluding 2DB)
SPACER GL KDC FRT FG	Left/right front drawer clip for KDC

SCREWS	
Part Name	Description
SCREW BOLT EXT RD FG	Bolt for RD extender
SCREW BRACKET DDF	Screw to attach L bracket to DDF (Kinsdale and Downing door styles)
SCREW BRACKET DRB	Screw to attach L bracket to DRB (Kinsdale and Downing door styles)
SCREW CHANNEL	Channel installation screw (1 per channel)
SCREW DDF 1 1/4"	Drawer front installation screw
SCREW DDF 1"	Drawer front installation screw for 5-piece drawer fronts
SCREW DDF SDC	SDC drawer front installation screw (1 per drawer body)
SCREW EXTENDER RD	Screw for RD extender (1 per extender)
SCREW GLIDE FD	Screw that attaches glide brackets to front face frame of cabinet (qty 1 per glide)
SCREW HINGE/DR	Hinge-to-door screw (2 per door)
SCREW HINGE/FR	Hinge-to-frame screw (1 per hinge)
SCREW NUT EXT RD FG	Nut for RD extender
SCREW TRACK	Track installation screw (3 per track)

MISCELLANEOUS SHELVING	
Part Name	Description
BS18 SHELF 1PK	Single Shelf for BS18__
BS18 SHELF 4PK	4 Pack Shelf Kit for BS18__
BS24 SHELF 1PK	Single Shelf for BS24__
BS24 SHELF 4PK	4 Pack Shelf Kit for BS24__
BS30 SHELF 1PK	Single Shelf for BS30__
BS30 SHELF 4PK	4 Pack Shelf Kit for BS30__
BS36 SHELF 1PK	Single Shelf for BS36__
BS36 SHELF 4PK	4 Pack Shelf Kit for BS36__
S369	Shelf for PSK36 Shelf and Pilaster Kit
WCMSC2412 SHELF	Microwave shelf for WCMSC241236 BUTT
WCMSC2712 SHELF	Microwave shelf for WCMSC271236 BUTT
WMSC2712 SHELF	Microwave shelf for WMSC271236 BUTT
WMSC2718 SHELF	Microwave shelf for WMSC271836 BUTT
WMSC3012 SHELF	Microwave shelf for WMSC301236

MISCELLANEOUS PARTS & ACCESSORIES

MISCELLANEOUS	
Part Name	Description
BASE CORNER BLOCK WD	Plywood corner block
BFP3 FRONT FILLER	Filler for BFP3 Base Filler Pull-Out
BPP9 KIT	Kit for BPP9 Base Pull-Out
BPP12 KIT	Kit for BPP12 Base Pull-Out
BPPUS9 KIT	Kit for BPPUS9 Base Pull-Out Utensil Storage
BPPUS12 KIT	Kit for BPPUS12 Base Pull-Out Utensil Storage
BTDP9 KIT	Kit for BTDP9 Base Tray Divider Pull-Out
BUMPER CLEAR	Door bumper (Strip of 4 bumpers)
BUMPER CLEAR 55	Door bumper (Strip of 55 bumpers)
BUMPER CLEAR DWR	Drawer bumper (Strip of 4 bumpers)
BUMPER CLEAR DT	Door bumper for Breeze, Cascade & Drift door styles - Sheet of 4
BUMPER CLEAR DT 55	Door bumper for Breeze, Cascade & Drift door styles - Sheet of 55
BWBB15 FH FOL KIT	Wastebasket kit for FOL BWBB15 FH
BWBB15 FH SOL KIT	Wastebasket kit for SOL BWBB15 FH
BWBB15 FOL KIT	Wastebasket kit for FOL BWBB15
BWBB15 SOL KIT	Wastebasket kit for SOL BWBB15
BWBB15-2 FOL KIT	Wastebasket kit for FOL BWBB15-2
BWBB15-2 SOL KIT	Wastebasket kit for SOL BWBB15-2
BWBB18 FH FOL KIT	Wastebasket kit for FOL BWBB18 FH
BWBB18 FH SOL KIT	Wastebasket kit for SOL BWBB18 FH
BWBB18-2 FOL KIT	Wastebasket kit for FOL BWBB18-2
BWBB18-2 SOL KIT	Wastebasket kit for SOL BWBB18-2
BWBB21-2 FH FOL KIT	Wastebasket kit for FOL BWBB21-2 FH
BWBB21-2 FH SOL KIT	Wastebasket kit for SOL BWBB21-2 FH
BWBB21-2 FOL KIT	Wastebasket kit for FOL BWBB21-2
BWBB21-2 SOL KIT	Wastebasket kit for SOL BWBB21-2
COVER CAP 10MM TAN	Tan cover cap for cabinet backs
COVER CAP 10MM WHT	White cover cap for cabinet backs
DWBB1821 FOL KIT	Wastebasket kit for FOL DWBB1821
DWBB1821 SOL KIT	Wastebasket kit for SOL DWBB1821
DWBB1824 FOL KIT	Wastebasket kit for FOL DWBB1824
DWBB1824 SOL KIT	Wastebasket kit for SOL DWBB1824
DFDC FILE UNIT 21	File unit for DFDC1821
DFDC FILE UNIT 24	File unit for DFDC1824
FRAME SPACER BPP9	Unit stabilizer and frame spacer for BPP9 and BTDP9
KNOB SDC	Wooden knob for SDC/BSDC6
LATCH TILT OUT TRAY	Latch for Factory Installed Tilt-Out Tray
MAG CATCH TV BLK	Black magnetic catch for TV3030/TV3630 Tri-View Mirror
MAG CATCH TV WHT	White magnetic catch for TV3030/TV3630 Tri-View Mirror
MC SHELF HDW	Package of 4 shelf clips for MC/MCM cabinet
MIRROR TV3030	Mirror for TV3030
MIRROR TV3630	Mirror for TV3630
PDO30	Peg Dish Organizer for 30" Specialty 2 Drawer Base
PDO36	Peg Dish Organizer for 36" Specialty 2 Drawer Base
PEG KIT 4 PK	Package of 4 pegs for Peg Dish Organizer
PK36	Pilaster kit for PSK36 Shelf & Pilaster Kit
PULL TRIVIEW	Chrome pull for TV3030/TV3630 Tri-View Mirror
ROT DIVIDER KIT	Divider for ROTDK12/ROTDK15

MISCELLANEOUS	
Part Name	Description
ROT PROTECTOR	End plastic protector on Sliding Shelves and Deep Dovetail Sliding Shelves
SDROT30	Scalloped Roll-Out Tray for 30" Specialty 2 Drawer Base
SDROT36	Scalloped Roll-Out Tray for 36" Specialty 2 Drawer Base
TRAY ST TILT OUT 11	Stainless Tray ONLY for Factory Installed Tilt-Out
TRAY ST TILT OUT 14	Stainless Tray ONLY for Factory Installed Tilt-Out
TRAY ST TILT OUT 24	Stainless Tray ONLY for Factory Installed Tilt-Out
TRAY TILT OUT 11	Plastic Tray ONLY for Factory Installed Tilt-Out
TRAY TILT OUT 14	Plastic Tray ONLY for Factory Installed Tilt-Out
TRAY TILT OUT 24	Plastic Tray ONLY for Factory Installed Tilt-Out
VWBB1834H FOL KIT	Wastebasket kit for FOL VWBB1834H
VWBB1834H SOL KIT	Wastebasket kit for SOL VWBB1834H
WASTEBASKET 27QT SLV	Silver 27-Quart trashcan
WASTEBASKET 35QT SLV	Silver 35-Quart trashcan
WASTEBASKET 50QT SLV	Silver 50-Quart trashcan
WCC DOWEL	Dowel for WCC cabinet
WCC24 4PC RAIL	Top and bottom dowel rails for WCC2415
WCC30 4PC RAIL	Top and bottom dowel rails for WCC3015
WCC36 4PC RAIL	Top and bottom dowel rails for WCC3615
WOOD SPIN HOLE PLUG	Plug for Wood Spin shelf
WTH DOOR STAY	One Door Stay for Wall Top Hinge cabinet
WTH DR STAY DR BRK	One Door Bracket for WTH DOOR STAY
WTH DR STAY FR BRK	One Frame bracket for WTH DOOR STAY
WTH HEX KEY BAG	One Hex Key for WTH DOOR STAY

REPLACEMENT PARTS FOR 24" DEEP BASE AND DESK DRAWERS

SIDE-MOUNTED GLIDES	
Part Name	Description
DRB__ x 21DP SG	Small drawer body
DRB__M x 21DP SG	Large drawer body
CHANNEL 21L	Left channel for drawer - attaches to cabinet (qty 1 per drawer)
CHANNEL 21R	Right channel for drawer - attaches to cabinet (qty 1 per drawer)
TRACK GA 21L	Left track for drawer - attaches to drawer body (qty 1 per drawer)
TRACK GA 21R	Right track for drawer - attaches to drawer body (qty 1 per drawer)
BRACKET CHAN B	Back bracket for channel - attaches channel to cabinet (qty 2 per drawer)
SCREW CHANNEL	Channel screw - attaches channel to face frame (qty 1 per drawer)
SCREW TRACK	Track screw - attaches track to drawer body (qty 3 per drawer)
FULL-EXTENSION GLIDES	
DRB__ x 21DP DT FD	Small drawer body - release clips attached
DRB__M x 21DP DT FD	Large drawer body - release clips attached
GLIDE FD NCL24	Left full-extension hidden glide (qty 1 per drawer)
GLIDE FD NCR24	Right full-extension hidden glide (qty 1 per drawer)
BRACKET GL BD UNI FG	Back bracket for any bottom drawer (qty 2 per drawer)
BRACKET GL UD UNI FG	Back bracket for any upper drawer (qty 2 per drawer)
SCREW GLIDE FD	Screw to attach front clip for drawer (qty 2 per drawer)
DRB MOUNT CLIP L FD	Left drawer release clip for drawer glide - included with replacement drawer body (qty 1 per drawer)
DRB MOUNT CLIP R FD	Right drawer release clip for drawer glide - included with replacement drawer body (qty 1 per drawer)
CUSHIONCLOSE GLIDES	
DRB__ x 21DP DT FD	Small drawer body - release clips attached
DRB__M x 21DP DT FD	Large drawer body - release clips attached
GLIDE FD CCL24	Left CushionClose Glide (qty 1 per drawer)
GLIDE FD CCR 24	Right CushionClose Glide (qty 1 per drawer)
BRACKET GL BD UNI FG	Back bracket for any bottom drawer (qty 2 per drawer)
BRACKET GL UD UNI FG	Back bracket for any upper drawer (qty 2 per drawer)
SCREW GLIDE FD	Screw to attach front clip for drawer (qty 2 per drawer)
DRB MOUNT CLIP L FD	Left drawer release clip for drawer glide - included with replacement drawer body (qty 1 per drawer)
DRB MOUNT CLIP R FD	Right drawer release clip for drawer glide - included with replacement drawer body (qty 1 per drawer)

REPLACEMENT PARTS FOR 21" DEEP VANITY AND DESK DRAWERS

SIDE-MOUNTED GLIDES	
Part Name	Description
DRB__ x 18DP SG	Small drawer body
DRB__M x 18DP SG	Large drawer body
CHANNEL V L	Left channel for drawer - attaches to cabinet (qty 1 per drawer)
CHANNEL V R	Right channel for drawer - attaches to cabinet (qty 1 per drawer)
TRACK V L	Left track for drawer - attaches to drawer body (qty 1 per drawer)
TRACK V R	Right track for drawer - attaches to drawer body (qty 1 per drawer)
BRACKET CHAN B	Back bracket for channel - attaches channel to cabinet (qty 2 per drawer)
SCREW CHANNEL	Channel screw - attaches channel to face frame (qty 1 per drawer)
SCREW TRACK	Track screw - attaches track to drawer body (qty 3 per drawer)
FULL-EXTENSION GLIDES	
DRB__ x 18DP DT FD	Small drawer body - release clips attached
DRB__M x 18DP DT FD	Large drawer body - release clips attached
GLIDE FD NCLVAN21	Left full-extension glide (qty 1 per drawer)
GLIDE FD NCRVAN21	Right full-extension glide (qty 1 per drawer)
BRACKET GL BD UNI FG	Back bracket for any bottom drawer (qty 2 per drawer)
BRACKET GL UD UNI FG	Back bracket for any upper drawer (qty 2 per drawer)
SCREW GLIDE FD	Screw to attach front clip for drawer (qty 2 per drawer)
DRB MOUNT CLIP L FD	Left drawer release clip for drawer glide - included with replacement drawer body (qty 1 per drawer)
DRB MOUNT CLIP R FD	Right drawer release clip for drawer glide - included with replacement drawer body (qty 1 per drawer)
CUSHIONCLOSE GLIDES	
DRB__ x 18DP DT FD	Small drawer body - release clips attached
DRB__M x 18DP DT FD	Large drawer body - release clips attached
GLIDE FD CCLVAN21	Left CushionClose Glide (qty 1 per drawer)
GLIDE FD CCRVAN21	Right CushionClose Glide (qty 1 per drawer)
BRACKET GL BD UNI FG	Back bracket for any bottom drawer (qty 2 per drawer)
BRACKET GL UD UNI FG	Back bracket for any upper drawer (qty 2 per drawer)
SCREW GLIDE FD	Screw to attach front clip for drawer (qty 2 per drawer)
DRB MOUNT CLIP L FD	Left drawer release clip for drawer glide - included with replacement drawer body (qty 1 per drawer)
DRB MOUNT CLIP R FD	Right drawer release clip for drawer glide - included with replacement drawer body (qty 1 per drawer)

REPLACEMENT PARTS FOR
18" DEEP VANITY/KNEEHOLE DRAWERS

SIDE-MOUNTED GLIDES	
Part Name	Description
DRB__x 15DP SG	Small drawer body
DRB__M x 15DP SG	Large drawer body
DRBKDC_X 15DP DT SG	Kneehole drawer body
CHANNEL V 18L	Left channel for drawer - attaches to cabinet (qty 1 per drawer)
CHANNEL V 18R	Right channel for drawer - attaches to cabinet (qty 1 per drawer)
TRACK GA 16L	Left track for drawer - attaches to drawer body (qty 1 per drawer)
TRACK GA 16R	Right track for drawer - attaches to drawer body (qty 1 per drawer)
BRACKET CHAN B	Back bracket for channel - attaches channel to cabinet (qty 2 per drawer)
SCREW CHANNEL	Channel screw - attaches channel to face frame (qty 1 per drawer)
SCREW TRACK	Track screw - attaches track to drawer body (qty 3 per drawer)
FULL-EXTENSION GLIDES	
DRB__x 15DP DT FD	Small drawer body - release clips attached
DRB__M x 15DP DT FD	Large drawer body - release clips attached
DRBKDC_X 15DP DT FD	Kneehole drawer body - release clips attached
GLIDE FD NCL18	Left full-extension hidden glide (qty 1 per drawer)
GLIDE FD NCR18	Right full-extension hidden glide (qty 1 per drawer)
BRACKET GL BD UNI FG	Back bracket for any bottom drawer (qty 2 per drawer)
BRACKET GL UD UNI FG	Back bracket for any upper drawer (qty 2 per drawer)
SCREW GLIDE FD	Screw to attach front clip for drawer (qty 2 per drawer)
DRB MOUNT CLIP L FD	Left drawer release clip for drawer glide - included with replacement drawer body (qty 1 per drawer)
DRB MOUNT CLIP R FD	Right drawer release clip for drawer glide - included with replacement drawer body (qty 1 per drawer)
CUSHIONCLOSE GLIDES	
DRB__x 15DP DT FD	Small drawer body - release clips attached
DRB__M x 15DP DT FD	Large drawer body - release clips attached
DRBKDC_X 15DP DT FD	Kneehole drawer body - release clips attached
GLIDE FD CCL18	Left full-extension hidden glide (qty 1 per drawer)
GLIDE FD CCR18	Right full-extension hidden glide (qty 1 per drawer)
BRACKET GL BD UNI FG	Back bracket for any bottom drawer (qty 2 per drawer)
BRACKET GL UD UNI FG	Back bracket for any upper drawer (qty 2 per drawer)
SCREW GLIDE FD	Screw to attach front clip for drawer (qty 2 per drawer)
DRB MOUNT CLIP L FD	Left drawer release clip for drawer glide - included with replacement drawer body (qty 1 per drawer)
DRB MOUNT CLIP R FD	Right drawer release clip for drawer glide - included with replacement drawer body (qty 1 per drawer)

REPLACEMENT PARTS FOR SLIDING SHELVES, BASE
POT & PAN ORGANIZERS AND ROLL-OUT TRAY DIVIDER KITS

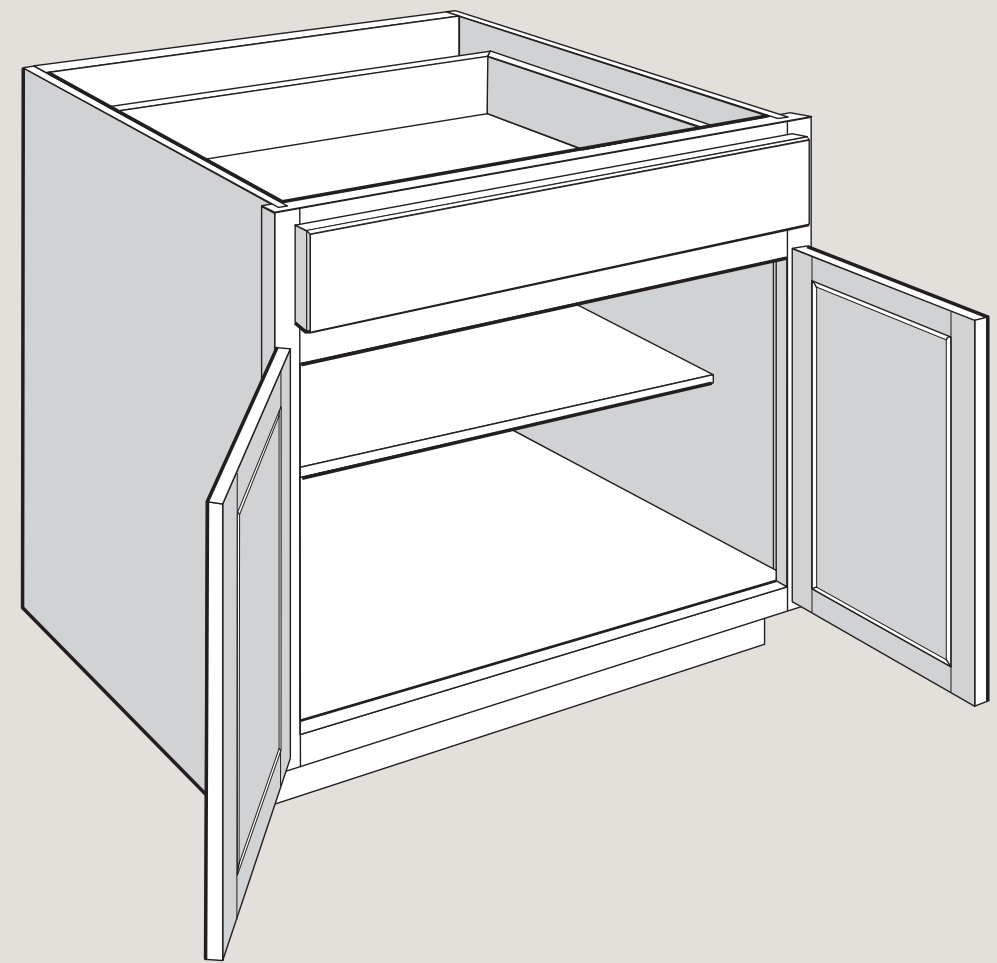
FULL DEPTH WITH SIDE-MOUNTED GLIDES	
Part Name	Description
SSK_	Sliding Shelf Kit
CHANNEL SS1L	Left channel for sliding shelf - attaches to cabinet (qty 1 per drawer)
CHANNEL SS1R	Right channel for sliding shelf - attaches to cabinet (qty 1 per drawer)
TRACK GA 21L	Left track for sliding shelf - attaches to drawer body (qty 1 per drawer)
TRACK GA 21R	Right track for sliding shelf - attaches to drawer body (qty 1 per drawer)
BRACKET CHAN B	Back bracket for channel - attaches channel to cabinet (qty 2 per drawer)
SCREW CHANNEL	Channel screw - attaches channel to face frame (qty 1 per sliding shelf)
SCREW TRACK	Track screw - attaches track to drawer body (qty 3 per drawer)
FULL DEPTH WITH FULL-EXTENSION GLIDES	
SSK_	Sliding Shelf Kit (ships with ALL installation hardware)
GLIDE DROTFA18	Left full-extension glide (qty 1 per sliding shelf)
GLIDE DROTFA24	Right full-extension glide (qty 1 per sliding shelf)
SCREW GLIDE CC	Attachment screws for front brackets (2 per sliding shelf)
BRACKET GL B DROTUNI	Back bracket for drawer glide (qty 2 per sliding shelf)
BRACKETDROT FRT MTL	Front bracket for drawer glide - will ship with attachment screws (qty 2 per sliding shelf)
DROTFA MOUNT CLIP L	Left release clip for sliding shelf
DROTFA MOUNT CLIP R	Right release clip for sliding shelf
FULL DEPTH WITH CUSHIONCLOSE GLIDES	
SSK_	Sliding Shelf Kit (ships with ALL installation hardware)
GLIDE DROTCC18	Left CushionClose Glide (qty 1 per sliding shelf)
GLIDE DROTCCR24	Right CushionClose Glide (qty 1 per sliding shelf)
SCREW GLIDE CC	Attachment screws for front brackets (2 per sliding shelf)
BRACKET GL B DROTUNI	Back bracket for drawer glide (qty 2 per sliding shelf)
BRACKETDROT FRT MTL	Front bracket for drawer glide - will ship with attachment screws (qty 2 per sliding shelf)
DROTFA MOUNT CLIP L	Left release clip for sliding shelf
DROTFA MOUNT CLIP R	Right release clip for sliding shelf

REPLACEMENT PARTS FOR TWO DRAWER BASE

WASTEBASKET WITH FULL-EXTENSION GLIDES	
Part Name	Description
BWBB__ _OL KIT	Base Bottom Mounted Wastebasket Kit (includes all installation items)
DWBB18__ _OL KIT	Desk Bottom Mounted Wastebasket Kit (includes all installation items)
VWBB1834H _OL KIT	Vanity Bottom Mounted Wastebasket Kit (includes all installation items)
GLIDE HD FAR24	Right Heavy Duty Glide for BWBB__, DWBB1824 (qty 1 per pull-out)
GLIDE HD FAL24	Left Heavy Duty Glide for BWBB__, DWBB1824 (qty 1 per pull-out)
GLIDE HD FAR21	Right Heavy Duty Glide for DWBB1821, VWBB1834H (qty 1 per pull-out)
GLIDE HD FAL21	Left Heavy Duty Glide for DWBB1821, VWBB1834H (qty 1 per pull-out)
CLIP HD DRB BACK L	Left back clip for wastebasket pull-out (qty 1 per glide)
CLIP HD DRB BACK R	Right back clip for wastebasket pull-out (qty 1 per glide)
SCREW GLIDE FD	Screw that attaches glide brackets to front face frame of cabinet (qty 1 per glide)
SCREW TRACK	Screw that attaches the door to the drawer box using "L" brackets (qty 2 per bracket)
SCREW BRACKET DDF	Attaches "L" bracket to drawer front (qty 2 per bracket)
SCREW BRACKET DRB	Attaches "L" bracket to drawer box (qty 2 per bracket)
BRACKET GLIDE HD BOT	Heavy Duty Glide Back Bracket - mounts to cabinet floor (qty 1 per glide)
DDF BRACKET FOL	Metal "L" bracket for FOL door attachment (qty 4 per door)
DDF BRACKET CCAP FOL	Plastic "L" bracket cover cap for DDF BRACKET FOL (qty 1 per bracket)
DDF BRACKET SOL	Metal "L" bracket for SOL door attachment (qty 4 per door)
DDF BRACKET CCAP SOL	Plastic "L" bracket cover cap for DDF BRACKET SOL (qty 1 per bracket)
WASTEBASKET 27QT SLV	Silver 27 QT Wastebasket
WASTEBASKET 35QT SLV	Silver 35 QT Wastebasket
WASTEBASKET 50QT SLV	Silver 50 QT Wastebasket
TWO DRAWER BASE WITH STANDARD CUSHIONCLOSE GLIDES	
Part Name	Description
DRB__ HD x 21DPDTFD	Drawer body - release clips attached
GLIDE HD CCL24	Left CushionClose Glide (qty 1 per drawer)
GLIDE HD CCR24	Right CushionClose Glide (qty 1 per drawer)
CLIP HD DRB BACK L	Left back bracket for drawer glide (qty 1 per drawer)
CLIP HD DRB BACK R	Right back bracket for drawer glide (qty 1 per drawer)
BRACKET GL HD BOT	Bottom bracket for glide (qty 2 per drawer)
DRB HD MOUNT CLIP L	Left drawer release clip for drawer glide - included with replacement drawer body (qty 1 per drawer)

WASTEBASKET WITH CUSHIONCLOSE GLIDES	
Part Name	Description
DRB HD MOUNT CLIP R	Right drawer release clip for drawer glide - included with replacement drawer body (qty 1 per drawer)
BWBB__ _OL KIT	Base Bottom Mounted Wastebasket Kit (includes all installation items)
DWBB18__ _OL KIT	Desk Bottom Mounted Wastebasket Kit (includes all installation items)
VWBB1834H _OL KIT	Vanity Bottom Mounted Wastebasket Kit (includes all installation items)
GLIDE HD CCL24	CushionClose Heavy Duty Glide for BWBB__, DWBB1824 (qty 1 per pull-out)
GLIDE HD CCR24	CushionClose Heavy Duty Glide for BWBB__, DWBB1824 (qty 1 per pull-out)
GLIDE HD CCL21	CushionClose Heavy Duty Glide for DWBB1821, VWBB1834H (qty 1 per pull-out)
GLIDE HD CCR21	CushionClose Heavy Duty Glide for DWBB1821, VWBB1834H (qty 1 per pull-out)
CLIP HD DRB BACK L	Left back clip for wastebasket pull-out (qty 1 per glide)
CLIP HD DRB BACK R	Right back clip for wastebasket pull-out (qty 1 per glide)
SCREW GLIDE FD	Screw that attaches glide brackets to front face frame of cabinet (qty 1 per glide)
SCREW TRACK	Screw that attaches the door to the drawer box using "L" brackets (qty 2 per bracket)
SCREW BRACKET DDF	Attaches "L" bracket to drawer front (qty 2 per bracket)
SCREW BRACKET DRB	Attaches "L" bracket to drawer box (qty 2 per bracket)
BRACKET GLIDE HD BOT	Heavy Duty Glide Back Bracket - mounts to cabinet floor (qty 1 per glide)
DDF BRACKET FOL	Metal "L" bracket for FOL door attachment (qty 4 per door)
DDF BRACKET CCAP FOL	Plastic "L" bracket cover cap for DDF BRACKET FOL (qty 1 per bracket)
DDF BRACKET SOL	Metal "L" bracket for SOL door attachment (qty 4 per door)
DDF BRACKET CCAP SOL	Plastic "L" bracket cover cap for DDF BRACKET SOL (qty 1 per bracket)
WASTEBASKET 27QT SLV	Silver 27 QT Wastebasket
WASTEBASKET 35QT SLV	Silver 35 QT Wastebasket
WASTEBASKET 50QT SLV	Silver 50 QT Wastebasket

INDEX



	Code	Page
3-Sided Stock	S3S__	175
4-Sided Stock	S4S__	175
A		
Accent Turned Foot	ATF	204
Accent Turned Foot, Full Round	ATF-FR	204
Adjustable Shelf Kit	S/SK__	148, 163
All Plywood Construction Option	APC	52
Aluminum Frame Door Profiles	AFBA/AFVI	70
Angle Crown Molding	ACM8	172
Angled Countertop Support	AS12__	198
Angled Outside Corner Molding	AOSC8	176
Aster Block - 3"	_B3X6 ASTER	202
Asymmetrical Base Easy Reach	BER__	113
Asymmetrical Base Super Susan with Wood Spin Units	BSS__ WD	113
B		
Base Bookshelf	BS2434	133
Base Cabinet Construction	-	39
Base Cabinet Decorator Matching Doors	DMDB	184
Base Cabinet Dimensions	-	40
Base Cabinet with Cutting Board Door Rack Kit	B18 CBDR	99
Base Cabinet with Factory Installed Drawer Organizers	B__	100
Base Cabinet with Factory Installed Roll-Out Tray Divider	B__ FAROTD	98
Base Cabinet with Plastic Bag Door Storage Kit	B__ PBDSU	99
Base Cabinet, 1 Factory Installed Wastebasket	BWBB15	99
Base Cabinet, 2 Factory Installed Wastebaskets	BWBB__-2	99
Base Cabinets	-	97
Base Cabinet Tray Divider Pull-Out	BTDP9	104
Base Cabinet, Standard with 2 Butt Doors	B__	101
Base Cabinet, Standard with Center Stile	B__	102
Base Cabinet, Standard with 1 Door	B__	98
Base Cabinet, Universal Design	B__ UD	166
Base Cabinet, with 2 Butt Doors and Sliding Shelves	B__ SS__	101
Base Cabinet, with Center Stile and Sliding Shelves	B__ SS__	102
Base Cabinet, with 1 Door and Sliding Shelves	B__ SS__	98
Base Column Filler	B_C__	189
Base Corner Filler	BCF27	188
Base Easy Reach	BER__	112
Base End Angle	BEA__ FH	121
Base Filler Pull-Out	BFP3	122
Base Locking Shelf Rest	-	44
Base Microwave Cabinet	BMC__	121
Base Oven Cabinet Universal	BOCU__	122
Base Pantry Pull-Out	BPP__	104
Base Pot & Pan Organizer Kit	BPPOKFA__	123
Base Recycling Kit	BR2B15	126
Base Spice Drawer Cabinet	BSDC6	120
Base Square Leg and Foot	BSQL, BSQF	204
Base Super Susan with Wood Spin Units	BSS__ WD	112
Base Tapered Leg	BTPL	204
Base Toe Kick	BTK8	190
Base Turned Leg	BTL	204
Base Utensil Storage Pull-Out	BPPU__	104
Base Wine Rack Cabinet	BWRC6	120
Batten Molding	BM8 WD	176
Batten Molding, Builder	BM8 BLD	177
BeautyGuard Finishing System	-	36
Blind Corner Base Installation Chart	-	115
Blind Corner Base	BLB__	115

	Code	Page
Blind Corner Closure	BLC__	95
Blind Peninsula Corner Base	PBC__	111
Blind Peninsula Wall Cabinet	BLPW__	81
Blind Peninsula Wall Cabinet Installation Chart	-	81
Blind Wall Cabinet	BLW__	82
Blind Wall Cabinet Dimensions & Installation Chart	-	83
C		
Cabinet Angle Molding	CAM8	176
Cabinet Care	-	36
Cabinet Front Only Option	CFO	57
Cabinet Specifications	-	35
Cabinet Tray Divider	TD3	125, 147
Ceiling Height Requirements	-	45
Center Beaded Insert Molding	CBE8	173
Certification	-	34
Chair Rail Molding	CR8	175
Chantilly Decorative Foot and Leg	CDF, CDL	207
Chantilly Furniture Leg	CFL	207
Classic Baseboard Molding	CLBM8	176
Classic Furniture Toe Kick, Corner, and End	CFTK__, CFTK-C, CFTK-E__	203
Classic Trim Molding	CLTM8	174
Cleat	HWC__	191
Construction Comparison Chart	-	53
Construction Option Legend and Examples	-	50
Construction Options	-	49
Corner Appliance Garage	AG__	88
Corner Base Carousel	CAR	114
Corner Base Lazy Susan, Universal Design	CBS36 UD	169
Corner Base with Plastic Spin Shelves	CBS36	114
Corner Base with Wood Spin Units	CBS36 WD	114
Corner Lazy Susan	CLS45F	125
Corner Sink Base	CSB36	116
Corner Sink Front	CSF__	119
Corner Wall Cabinets	CW__	84
Countertop Edge Molding	CTM8 DT, CTM8 WD	172
Cover Caps	COVER CAP	191
Crown Molding, Builder	CM8 BLD	178
Crown Molding	CM8 WD	172
Curved Countertop Support	CS12__	198
CushionClose Deep Dovetail Sliding Shelf Option	CCSS	55
CushionClose Door Buffer	CUSH CLOSE DR BUFFER	192
CushionClose Glide Option	CCDW	54
CushionClose Hinge Option	CCH	54
Cutlery Divider Kit	CDAK__	124
Cutting Board Door Rack Kit	CBDRK18	127
D		
Decorative Accents	-	195
Decorative Countertop Edge Molding	DCTM8	172
Decorative Furniture Toe Kick, Corner, and End	DFTK__, DFTK-C, DFTK-E__	203
Decorative Glass Clips	CLIP DGI__	74
Decorative Hardware	KNOB/PULL	209
Decorative Inside Corner Molding	ICM8	176
Decorative Cove Molding, Large and Small	DLCVM8, DSCVM8	172
Decorator Matching Doors	DMDBEA12	184
Deep Sink/Range Base Cabinet	DSB__	116
Dentil Molding	DM8 WD	173
Desk Cabinet Decorator Matching Doors	DMDD__	184
Desk Cabinet Dimensions	-	41

	Code	Page
Desk Cabinet with Wastebasket Pull-Out, 21" and 24" Deep	DWBB1821, DWBB1824	130
Desk Cabinets & Bookshelves	-	129
Desk Door Cabinet, 21" and 24" Deep	DDO__21, DDO__24	130
Desk Drawer Cabinet, 21" and 24" Deep	DDR__21, DDR__24	131
Desk End Panel	DEP	160, 180
Desk File Pull-Out Cabinet, 21" and 24" Deep	DFDC1821, DFDC1824	131
Dishwasher Return	DWR3	180
Double Oven Cabinet, 1 Drawer	OVD__ BUTT	144
Double Oven Cabinet, 1 Large Drawer	OVD__ BUTT 1DDWR	145
Double Oven Cabinet, 2 Drawers	OVD__ BUTT 2DWR	145
Double Oven Cabinet	OVD__ BUTT NDWR	144
Drawer Base Cabinet with Factory Installed Drawer Accessory	DB__	109
Drawer Base Cabinet, 2 Drawers	DB__ 2DWR	107
Drawer Base Cabinet, 3 Drawers	DB__	108
Drawer Base Cabinet, 4 Drawers	DB__ 4DWR	108
Drawer Base Cabinet Dimensions	-	41
Drawer Base Cabinet, Universal Design	DB__ UD	167
Drawer Upgrades	-	54
Dummy Drawer Front Fastener	DDF FASTENER	191
E		
Edge Branding	EDGE BAND__	193
Estelle Decorative Foot and Leg	EDF, EDL	205
Estelle Furniture Leg	EFL	205
F		
Filler, Plain Box	WPB__	90
Finished Shelf	FS__	95
Finishing System Specifications	-	36
Floating Shelf	FLSH__	94, 133
Fluted Beaded Filler Extension	FBF E3__	188
Fluted Beaded Filler	FBF__	188
Full Depth Shelf Option	FDS	59
Full-Extension Deep Dovetail Sliding Shelf Option	FASS	55
Full-Extension Drawer Option	FADW	54
Full-Extension Hidden Glides System	-	44
Full-Height Base Cabinet with Tray Divider and Shelf	TB9 TDS	103
Full-Height Base Cabinet, 1 Factory Installed Wastebasket	BWBB15 FH	105
Full-Height Base Cabinet, 2 Butt Doors	B__ FH	105
Full-Height Base Cabinet, 2 Factory Installed Wastebaskets	BWBB21-2 FH	105
Full-Height Base Cabinet, 1 Door	TB9/B__ FH	103
Full-Height Base with 2 Butt Doors and Sliding Shelves	B__ FH SS__	106
Full-Height Base with 1 Door and Sliding Shelves	B__ FH SS__	104
Full-Height Peninsula Base	PB__ FH	110
Full-Turned Post, Beaded and Fluted	POST234 B, POST234 F	207
Furniture Drawer Cabinet	FD__	106
Furniture Ends Option	FE	58
G		
Glass Insert	DGI__	71
Glass Shelf Kit	GSK__	95
Grooved End Panel	_EP__ GROOVED	181
H		
Hardware Specifications		44
Heat Shield Kit	HSK	128, 149
Hinge Restriction Clip	HINGE CC ANG RES CLP	191
Hinges	-	44
Horizontal Frame Door Profiles	HFD	68

	Code	Page
I		
Increased Depth Option	ID	57
Inset Light Rail Molding	ILR8	174
Inside Corner Molding, Builder	QM8 BLD	177
Inside Corner Molding, Textured	QM8 DT	176
Inside Corner Molding	QM8 WD	176
Installation Guidelines	-	46
Inverted Frame Option	IF	58
K		
Kneehole Drawer Cabinet	KDC__	131, 160
L		
Large Belhaven Corbel	BC312	199
Large Cove Molding	LCVM8	172
Large Cove Molding, Textured	LCVM8 DT	172
Large Crown Molding, Builder	LCM8 BLD	178
Large Finley Corbel	FC312	199
Large Laurel Corbel	LC312	200
Large Narrow Cove Corbel	CC212	198
Large Prairie Corbel	PC312	200
Large Rosette Corbel	RC313	200
Large Valencia Corbel	VC312	199
Library Molding	LBM8	174
Light Rail Molding	LR8	174
M		
Matching Interior Option	MI	60
Medicine Cabinet	MC/MCM__	159
Medium Belhaven Corbel	BC49	199
Medium Cove Corbel	CC49	198
Medium Finley Corbel	FC49	199
Medium Laurel Corbel	LC49	200
Medium Narrow Cove Corbel	CC29	198
Medium Prairie Corbel	PC49	200
Medium Rosette Corbel	RC49	200
Medium Valencia Corbel	VC49	199
Metal Cove Corbel	METAL COVE 212__	201
Metal Emerson Corbel	METAL EMERSON 27__	201
Metal Shelf Rest	-	44
Microwave Wall	WMC__	80
Mirror Molding	MM8	173
Molding & Trim	-	171
Mullion Frame Door Profiles	MFD	65
Mullion Shelf Rest		44
O		
Ogee Light Rail Molding	OGLR8	174
Ogee Molding	OGE8	173
Ogee Pilaster Molding	OGP8	176
Open Frame Door Profiles	OFD	64
Orlean Decorative Foot and Leg	ODF, ODL	206
Orlean Furniture Leg	OFL	206
Outside Corner Molding, Builder	OCM8 BLD	177
Outside Corner Molding	OCM8	176
Outside Corner Molding, Texture	OCM8 DT	176
Oven Cabinet, Microwave	OMC3396 AS BUTT OS	146
Oven Cabinet, Single	OVS__	139
Oven Cabinet, Universal Design	OVS3384 UD	168

	Code	Page
Oven Support Shelf	OSS__	149
Overlay Dimensions	-	48
Overlay Filler	_OF__	187
P		
Panels, Fillers & Installation Items	-	179
Pantry Door Shelf Kit	PDSK18	147
Pantry Swing Out Kit	PCSK36	146
Parker Decorative Foot and Leg	PDF, PDL	205
Parker Furniture Leg	PFL	205
Pedestal Drawer Cabinet	PD__	106
Peninsula Base Cabinet	PB__	110
Peninsula Corner Wall	PWCW__	85
Peninsula Wall Cabinet	PW__	79
Plain Box Filler	WPB__	189
Plastic Bag Door Storage Unit	PBDSU__	127
Plinth Block - 3" and 6"	_B3X4 PLINTH, _B6X6 PLINTH	202
Plywood Ends Option	PE	52
Plywood Panel	WP__	182
Pot & Pan Organizer Cabinet, 2 Butt Doors	B__ FABPPO	101
Pot & Pan Organizer Cabinet, 1 Door	B__ FABPPO	98
Prairie Frame Door Profiles	PFD	69
Premium Finish Cabinet Option	-	51
Print End Panel	_EP__ PRT	181
Putty Stick	PUTTY STICK	193
Pyramid Block - 3"	_B3X3 PYRAMID	202
Q		
Quarter Round Molding	QR8	176
R		
Range Hood Blower	RHVENT__	91, 92
Range Hood Chimney	RHC__	89
Range Hood, Flat Panel Arched Valance	RH__ FV	89
Range Hood Liner, Arched Valance	RHLINER__ A	93
Range Hood Liner, Straight Valance	RHLINER__ S	93
Range Hood Liner, Tapered	RHLINER__	93
Range Hood, Raised Panel Arched Valance	RH__ AV	89
Range Hood, Straight Valance	RH__ SV	89
Range Hood, Tapered	RH__ T	90
Recessed Toe Kick Option	RTK	59
Reduced Depth Option	RD	56
Refrigerator Return Panel	RR__	183
Roll-Out Tray Divider Kit	ROTDKFA__	123
Rope Molding	RM8 WD	173
Rosette Block - 3"	_B3X3 ROSETTE	202
S		
Screws, Installation	SCREW	191
Scribe Molding, Builder	SM8 BLD	177
Scribe Molding, Textured	SM8 DT	176
Scribe Molding	SM8 WD	176
Shaker Accent Molding	SAM WD	177
Shaker Chair Rail Molding	SQCR8	175
Shaker Insert Molding	SIM8	173
Shaker Mirror Molding	SMM8	173
Shelf End Base	SEB	120
Shelf End Peninsula Base	SEPB	120
Shelf, Adjustable	S/SK__	148, 163

	Code	Page
Shelf End Wall, Round Top and Bottom	SEW__	88
Shelf End Wall, Square Top and Bottom	SEW__ SQT	88
Shelf End Wall, Square Top and Round Bottom	SEW__ SQT	88
Shelf, Floating	FLSH__	94, 133
Shelf Rests	SHELF REST	190
Shelf Under Cabinet Organizer	SUCO__	131
Shoe Molding, Builder	SHM8 BLD	177
Side-Mounted Drawer Glides	-	44
Single Bead Accent Molding	SBAM8 WD	177
Single Bead Insert Molding	SBIM8	173
Single Bead Molding	SBM8	175
Single Oven Cabinet, with 2 Butt Doors, 2 Large Drawers	OVS__ BUTT 2DDWR	142
Single Oven Cabinet, with 2 Butt Doors, 3 Drawers	OVS__ BUTT 3DWR	143
Single Oven Cabinet, with 2 Butt Doors, 4 Drawers	OVS__ BUTT 4DWR	143
Single Oven Cabinet, with 4 Butt Doors, 1 Drawer	OVS__ BUTT 1DWR	140
Single Oven Cabinet, with 4 Butt Doors, 1 Drawer & Pot & Pan Organizer	OVS__ BUTT 1DWR FABPPRO	141
Single Oven Cabinet, with 4 Butt Doors, 2 Drawers	OVS__ BUTT 2DWR	141
Single Oven Cabinet, with 4 Butt Doors, 2 Drawers, Pot & Pan Organizer	OVS__ BUTT 2DWR FABPPO	142
Single Oven Cabinet, with Base Pot & Pan Organizer	OVS__ BUTT FABPPO	140
Sink Base Cabinet, Universal Design	SB__ UD	167
Sink Base Door Storage Unit	SBDSU__	127
Sink Base Multi-Storage Cabinet	SBMS__ BUTT STO	118
Sink Base Multi-Storage Shelf	SBMSS	126
Sink Base with 1 Factory Installed Tilt-Out Tray(s)	SB__ STO/TO	117
Sink Base with 2 Factory Installed Tilt-Out Tray(s)	SB__ STO/TO	118
Sink/Cooktop Base Cabinet	SB__	117
Sink/Cooktop Front	SF__	119
Sink/Vanity Front Floor	FL__	181
Sink/Vanity Front Return	SFR	180
Sliding Shelf 4-Pack Kit	USS__ 4K	148, 163
Sliding Shelf Kit	SSK__	123, 133, 148, 163
Sliding Shelf Kit, Universal Design	SSK__	169
Sliding Towel Bar	STB	125
Small Belhaven Corbel	BC36	199
Small Cove Corbel	CC36	198
Small Cove Molding	SCVM8	172
Small Cove Molding, Textured	SCVM8 DT	172
Small Finley Corbel	FC36	199
Small Laurel Corbel	LC36	200
Small Narrow Cove Corbel	CC26	198
Small Prairie Corbel	PC36	200
Small Rosette Corbel	RC36	200
Small Single Bead Molding	SSBM8	175
Small Traditional Light Rail Molding	STLR8	174
Small Valencia Corbel	VC36	199
Soffit Crown Molding	SCM8 WD	172
Specialty Door Options	-	62
Spice Drawer Cabinet	SDC__	86
Spice Drawer Insert Kit	S DIAK__	124
Spice Rack Kit	SRK__	94
Split Post	SPLT POST80__	208
Spray Stain	SPRAY STAIN	192
Square Inset Light Rail Molding	SQILR8	174
Square Light Rail Molding	SQLR8	174
Stain	STAIN	192
Starter Molding	STRM8	175
Stem Glass Holder	SGH36U	94
Storage Cube	SC__	86, 132
Straight Appliance Garage	AGS__	88

	Code	Page
T		
Tall Bookshelves	BS__	132
Tall Cabinet Decorator Matching Doors	DMDT__	185
Tall Cabinet Dimensions	-	43
Tall Cabinets	-	135
Tall Column Filler	T_C__	189
Tapered Foot	TPF	204
Textured Base Toe Kick	BTK8 DT	190
Textured Duraform End Panel	_EP__DT	181
Textured Finished Shelf	FS__	95
Textured Overlay Filler	_OF__DT	187
Textured Plywood Panel	WP__DT	182
Textured Universal Filler	S3S__DT	186
Textured Wood Tall End Panel	_EP__DT	182
Tilt-Out Tray Kit	TO/STO TRAY__	128, 160
Toe Kick, Universal Design	BTK8__UD	190
Touch Up Kit	TOUCHUP KIT	192
Touchup Marker	TU MARKER	193
Traditional Classic Crown Molding	TCCM8 WD	172
Traditional Light Rail Molding	TLR8	174
Traditional Split Block	SPLT BLOCK2_T	208
Traditional Split Collar	SPLT COLLAR T	208
Triple Bead Accent Molding	TBAM8 WD	177
Triple Bead Edge Molding	TBE8	173
Triple Bead Insert Molding	TBIM8	173
Triple Bead Molding	TBM8	175
Tri-View Mirror	TV__	160
TuffTech Finishing System		36
U		
Universal Design Base Cabinet	B__UD	166
Universal Design Base Multi-Use	BMU30 UD	168
Universal Design Base Plumbing Skirt	BPS__UD	168
Universal Design Base with Sliding Shelves	B__SS__UD	166
Universal Design Cabinet Dimensions	-	42
Universal Design Cabinets	-	165
Universal Design Corner Base Susan	CBS36 UD	169
Universal Design Drawer Base Cabinet	DB__UD	167
Universal Design Oven Cabinet	OVS3384 UD	168
Universal Design Sink Base Cabinet	SB__UD	167
Universal Design Toe Kick	BTK8__UD	190
Universal Design Vanity Plumbing Skirt	VPS__UD	168
Universal Filler Extension	UF E3__	186
Universal Filler	UF__	186
Universal Scribe Moldin, Builder	USM8 BLD	177
Utility Cabinet, 12" Deep	UT__12 X__	136
Utility Cabinet with Adjustable Shelves, 12" Deep	UT__12 X__AS	136
Utility Cabinet, 24" Deep	UT__24 X__	136
Utility Cabinet with Adjustable Shelves, 24" Deep	UT__24 X__AS	136
Utility Cabinet with Pantry Storage, 24" Deep	UT3624 X__PCDS BUTT	139
Utility Cabinet with Sliding Shelves, 24" Deep	UT__24 X__4SSK	137
Utility Cabinet Shelf & Pilaster Kit	PSK36	147
V		
Valances	V__	196
Valet Cabinet	VC2436 BUTT	159
Vanity Base Cabinet with Wastebasket Pull-Out, 34½" High	VWBB1834H	152
Vanity Base, 1 Door	VB__	152
Vanity Base, 2 Butt Doors	VB__BUTT	152

	Code	Page
Vanity Base with Full-Height Door, 34½" High	VB__34H FH	153
Vanity Cabinet Decorator Matching Doors	DMDV	185
Vanity Cabinet Dimensions	-	41
Vanity Cabinets	-	151
Vanity Combo Sink Base, 31⅞" High	VSDB__	157
Vanity Combo Sink Base, 34½" High	VSDB__34H	157
Vanity Drawer Base, 31⅞" High	VDB__	153
Vanity Drawer Base, 34½" High	VDB__34H	153
Vanity Linen Cabinet	VLC__	161
Vanity Linen Cabinet with Adjustable Shelves	VLC__AS	161
Vanity Linen Cabinet with Sliding Shelves	VLC__4SSK	161
Vanity Sink Base, 31⅞" High	VSDB/VAN__	154
Vanity Sink Base, 34½" High	VSDB/VAN__34H	154
Vanity Sink Front, 31⅞" High	VSF__	159
Void Door Option	VDO__	61
Void Top Drawer Option	VTD	61
W		
Wall Bookshelves	BS__	132
Wall Cabinet Construction	-	38
Wall Cabinet Decorator Matching Doors	DMDW__	185
Wall Cabinet Dimensions	-	40
Wall Cabinets	-	75
Wall Cabinet, Standard	W__	76
Wall Cabinet with Spice Rack	W__SR	78
Wall China Cabinet	WCC__	87
Wall Column Filler	W_C__	189
Wall Easy Reach	WER__	85
Wall End Angle Cabinet	WEA12__	86
Wall Microwave Cabinet with Shelf	WMSC__	80
Wall Range Hood, Arched Valance	WRH__AV	90
Wall Range Hood, Straight Valance	WRH__SV	90
Wall Top Hinge Cabinet	WTH__	78
Wastebasket Unit	WBU15	126
Wide Batten Molding	WBM8	176
Wine Rack Cabinet	WRC__	87
Wine Rack	WR36	94
Wine Storage Cabinet	WSC__	87
Wood End Panel	_EP__WD	181
Wood Species & Materials Specification	-	37
Wood Tall End Panel	WTEP__	182
Wood Tiered Cutlery Divider Kit	WTCDKHG__	124
Y		
Yates Decorative Foot and Leg	YDF, YDL	206
Yates Furniture Leg	YFL	206

Timberlake Cabinetry®

Portfolio Select® & Portfolio® 5-Year Limited Warranty

Timberlake hereby warrants to the original homeowner, for residential applications only, that all cabinets and accessories manufactured and sold by Timberlake are free from defects in material and workmanship for a period of five years from the date: (a) that you purchase your new home, or (b) that you install new Timberlake cabinets or accessories in your remodeled home, as the case may be. This warranty is expressly limited to repair or replacement of the defective part at the discretion of Timberlake, and does not include labor for removal or replacement. This warranty does not extend to defects caused by improper handling, storage, installation, assembly or disassembly, intentional damage, product modifications, exposure to the elements including humidity which may result in warping or splitting, accidental misuse, abuse or negligence. Natural woods may vary in texture, color and wood grain, and exhibit subtle changes as they age. For example, wood joints may eventually have visible cracking around the joint area and cabinet colors may darken or lighten over time. Sunlight, smoke, moisture, household cleaners and other environmental conditions may cause materials to vary from their original color and/or to warp, split or crack. These variations are considered to be the nature of the material in relation to its environmental exposure and are not covered under this warranty.

Additional Limitations and Disclaimers

TIMBERLAKE MAKES NO OTHER WARRANTIES OTHER THAN THOSE SET FORTH HEREIN AND ALL OTHER WARRANTIES ARE HEREBY DISCLAIMED. THE IMPLIED WARRANTIES OF MERCHANTABILITY AND FITNESS FOR A PARTICULAR PURPOSE ARE LIMITED IN DURATION TO THE LENGTH OF THE HOMEOWNER'S WARRANTY PERIOD. THE LIMITED WARRANTIES SET FORTH HEREIN ARE LIMITED TO THE FIRST AND ORIGINAL HOME BUYER, OR CABINET PURCHASER IN REMODELED APPLICATIONS, AS THE CASE MAY BE, AND ARE NOT TRANSFERABLE THEREAFTER. IN NO EVENT SHALL TIMBERLAKE BE LIABLE FOR INCIDENTAL OR CONSEQUENTIAL DAMAGES TO THE HOMEOWNER OR TO ANY THIRD PARTY, INCLUDING, WITHOUT LIMITATION, DAMAGES ARISING FROM PERSONAL INJURY, LOST PROFITS, LOSS OF BUSINESS OPPORTUNITY, LOSS OF PROPERTY, ECONOMIC LOSSES, OR STATUTORY OR EXEMPLARY DAMAGES, WHETHER FROM NEGLIGENCE, WARRANTY, STRICT LIABILITY OR OTHERWISE. Some states do not allow the exclusion or limitation of incidental or consequential damages, or limitations on how long an implied warranty lasts, so the above limitations and exclusions may not apply to you. This warranty gives you specific legal rights, and you may also have other rights, which vary from state to state.

Claims

All claims for defective cabinets and accessories must be submitted to Timberlake in writing and must specify the defects present in the cabinets and accessories. After Timberlake has had an opportunity to inspect the cabinets and accessories, they will, at their discretion, either replace defective cabinets and accessories or repair any defects in the cabinets and accessories. All claims must be submitted to the following address: Timberlake Claims Department, Post Office Box 1980, Winchester, Virginia 22604.

Warranty Information for Commercial Purchasers

To merchants who purchase Timberlake cabinets and accessories for resale in any form, including builders, dealers and distributors, Timberlake extends the following warranty: Timberlake will replace, without charge, any cabinet and accessory that is not saleable because of defects in material or manufactured workmanship discovered within one year from the date of delivery to merchant. Notice of claim under this warranty must be given promptly, in no case later than ninety (90) days after defect becomes known to merchant. THIS WARRANTY IS IN LIEU OF ALL OTHER WARRANTIES, EXPRESS OR IMPLIED. TIMBERLAKE HEREBY DISCLAIMS ALL IMPLIED WARRANTIES, INCLUDING THE WARRANTIES OF MERCHANTABILITY AND FITNESS FOR A PARTICULAR PURPOSE. THE REMEDY OF REPLACEMENT IS THE SOLE AND EXCLUSIVE REMEDY FOR TIMBERLAKE'S OBLIGATIONS ARISING FROM THE SALE OF ITS CABINETS AND ACCESSORIES. IN NO EVENT WILL TIMBERLAKE BE LIABLE FOR INCIDENTAL OR CONSEQUENTIAL LOSS OR DAMAGES, including, without limitation, costs of installation, removal or reinstallation, damage to other property, loss of profits, loss of goodwill, or other economic loss, whether such incidental or consequential loss or damage is claimed on account of breach of warranty, breach of contract, negligence, strict liability in tort, or any other legal theory. CABINETS AND ACCESSORIES SOLD FOR RESALE ARE ALL SUBJECT TO THESE TERMS, AND ALL OFFERS ARE EXPRESSLY CONDITIONED UPON ACCEPTANCE OF THESE TERMS.

Specification Guide

FALL 2020



TIMBERLAKE[®]
CABINETS



Value Built Series

Here is your guide to the latest product additions and enhancements we've made to our Value Built line of fine cabinets. If you would like further clarification about any of our products or processes, please call Timberlake Customer Care at 800-967-9674.

Parts Directory

The Parts Directory is included in the back of this guide and is also available online at www.timberlake.com/parts-directory.

Continuous Improvement

In keeping with our policy of continuous product refinement, Timberlake reserves the right to change specifications in design and materials as conditions require.

What's New?

The color green is used to highlight items that are newly available or modified in the Timberlake product offering. All of these items are color-coded green for easy identification and include:

September 2020

New Construction Options

- Full Depth Shelf Option (FDS)
- Void Top Drawer Option (VTD)

Cabinet Width Expansion

- Standard Wall - W3921
- Refrigerator Wall - W3921 X 24DP
- Deep Sink Base - DSB33 1B, DSB39
- Vanity Sink Base - VSB39, VSB3934H
- Vanity Sink Base with Drawers - VAN39, VAN3934H
- Vanity Combo Sink Base - VSDB3934H BK
- Vanity Sink Front - VSF39

Expanded Decorative Hardware

- Matte Black finish is now available for Sculpted Pull, Sculpted Knob, Square Pull, Square Knob, T-Bar Knob and select T-Bar Pulls
- Modern Brushed Gold finish is now available for Sculpted Pull, Sculpted Knob, Rectangle Pull, Rectangle Knob, Square Pull, Square Knob, T-Bar Knob and select T-Bar Pulls

Vanity Door Height Change

- Standard Height Vanity (31 1/8" high) doors are changing from 18" high to 21" high. Refer to the Parts Directory for dimensions.

New Accessories

- 15" Deep Glass Shelf Kit available in 12" wide through 36" wide

Discontinued Finishes

- Honey
- Tawny

Door Styles

Value Built® Series Collections	4
Features, Options, Availability.....	5
Andover*.....	6
Fairfield.....	8

Standard Cabinet Specifications

Certification.....	10
Cabinet Specifications.....	11
Finishing Systems.....	12
Door Species & Characteristics.....	13
Wall Cabinet Construction.....	14
Base Cabinet Construction.....	15
Cabinet Dimensions.....	16
Hardware.....	20
Overlay Dimensions.....	21
Installed Height Guidelines.....	22
Ceiling Height Requirements.....	23

Construction Options

Legend.....	26
Reduced Depth Option.....	27
Increased Depth Option.....	28
Cabinet Front Only Option.....	28
Recessed Toe Kick Option.....	29
Inverted Frame Option.....	29
Matching Interior Option.....	30
Full Depth Shelf Option	30
Void Door Option.....	31
Void Top Drawer Option	31
Specialty Door Options.....	32
Specialty Door Availability.....	32
Mullion Frame Door Profiles.....	33
Open Frame Door Profiles.....	33
Glass Inserts.....	34

Wall Cabinets

Standard	40
With Spice Rack.....	42
Wall Top Hinge.....	42
Peninsula.....	43
Microwave.....	44
Blind Peninsula.....	45
Blind.....	46
Corner.....	48
Peninsula Corner.....	49
Specialty.....	50
Range Hoods.....	52
Accessories	57

Base Cabinets

One Door Base Cabinets.....	60
One Door Base With Sliding Shelves.....	60
One Door Base With Accessories.....	60
One Door Base With Factory Installed Drawer Organizer.....	62
Two Door Base Cabinets.....	63
Two Door Base With Sliding Shelves.....	63
Three Door Base Cabinets.....	66
Three Door Base with Sliding Shelves.....	66
One Door Full-Height Base Cabinets.....	67
One Door Full-Height Base Cabinets with Sliding Shelves.....	67
One Door Full-Height Base Cabinets with Accessories.....	67
Two Door Full-Height Base Cabinets.....	69
Two Door Full-Height Base Cabinets with Sliding Shelves.....	69
Drawer Base.....	69
Drawer Base With Factory Installed Drawer Organizer.....	71

Base Cabinets (Cont'd)

Peninsula.....	72
Full-Height Peninsula Base.....	72
Blind Peninsula Corner Base.....	73
Corner.....	74
Blind Corner.....	77
Sink/Cooktop	78
Sink Base with Factory Installed Tilt-Out Tray(s).....	80
Sink/Cooktop Front.....	82
Specialty.....	83
Accessories.....	86

Desk Cabinets & Bookshelves

Desk Base Cabinets.....	92
Bookshelves.....	94
Accessories.....	95

Tall Cabinets

Two Door Utility Cabinets.....	98
Two Door Utility Cabinets with Sliding Shelves.....	99
Four Door Utility Cabinets.....	99
Four Door Utility Cabinets with Sliding Shelves.....	100
Oven Cabinets.....	101
Accessories.....	108

Vanity Cabinets

One Door Vanity Cabinets.....	114
Two Door Vanity Cabinets.....	114
Full-Height Vanity Cabinets.....	115
Vanity Drawer Base.....	115
Vanity Sink Base	115
Vanity Combo Sink Base	118
Vanity Sink Front	120
Specialty.....	121
Accessories.....	122
Vanity Linen Cabinets.....	123
Vanity Linen Accessories.....	125

Universal Design Cabinets

Base.....	128
Accessories.....	130

Molding & Trim

133	
Panels, Fillers & Installation Items	141
Panels.....	142
Fillers.....	148
Base Toe Kick.....	151
Installation Items.....	152

Decorative Accents

Valances.....	156
Countertop Supports.....	158
Corbels.....	158
Decorative Blocks.....	162
Furniture Toe Kick.....	163
Legs and Feet.....	164
Split Post, Collar and Blocks.....	168

Decorative Hardware

169

Parts Directories

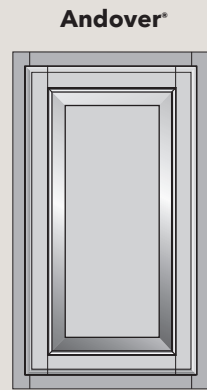
181

Index

221

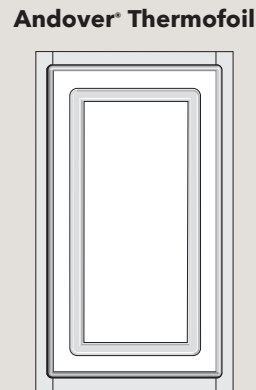
Warranty

228



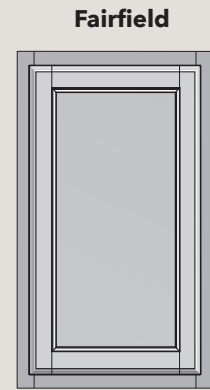
Andover®

Page 6



Andover® Thermofoil

Page 7



Fairfield

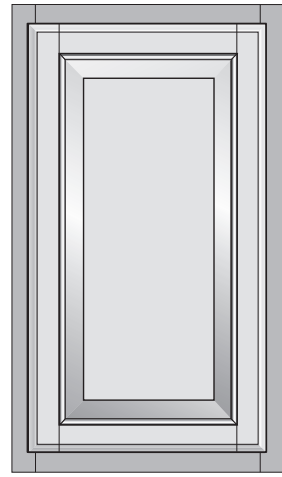
Page 8

CABINET FEATURES	
Face Frames	Hardwood ¾" x 1 ½"
Side Panels	½" Engineered Wood with TuffTech Finish
Tops, Bottoms, Floors	½" Engineered Wood with TuffTech Finish
Back Panel	⅝" Hardboard Substrate Captured
Toe Kick	Inset ½" Engineered Wood (unfinished)
Shelves	Base and Wall cabinets feature ½" engineered wood; Specialty Door Wall cabinets feature ¾" engineered wood
Hinges	4-Way Adjustable Hidden Hinges
Limited Warranty	2 Year

DRAWER FEATURES	
24" Deep Base 24" Deep Desk 24" Deep Oven	18" deep engineered wood drawer with TuffTech finish, MDF printed bottom, and side-mounted drawer glides
21" Deep Vanity 21" Deep Desk	18" deep engineered wood drawer with TuffTech finish, MDF printed bottom, and side-mounted drawer glides
18" Deep Vanity	15" deep engineered wood drawer with TuffTech finish, MDF printed bottom, and side-mounted drawer glides

CONSTRUCTION OPTIONS
<ul style="list-style-type: none"> • Cabinet Front Only Option (CFO) • Full Depth Shelf Option (FDS) • Increased Depth Option (ID) • Inverted Frame Option (IF) • Matching Interior Option (MI) • Reduced Depth Option (RD) • Recessed Toe Kick Option (RTK) • Void Door Option (VDO) • Void Top Drawer Option (VTD)

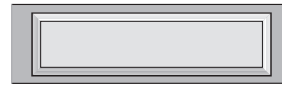
FINISH AVAILABILITY		
	Andover	Fairfield
Finish:		
Nutmeg	•	•
Rye	•	•
Spice	•	•
White	•	



Door



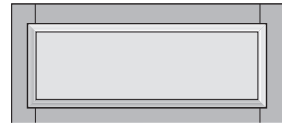
Door Cross Section



Kneehole Drawer Front



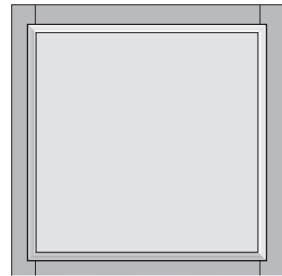
Kneehole Drawer Cross Section



Standard Drawer Front



Standard Drawer Cross Section



Large Drawer Front



Large Drawer Cross Section

Andover

DOOR STYLE DETAILS

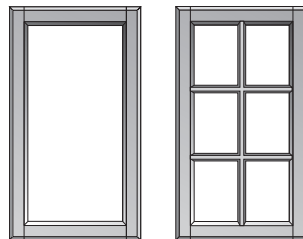
Species:	Hardwood
Door Description:	Raised Panel
Door Stile & Rail Width:	1 7/8"
Drawer Front:	Routed Slab
Overlay:	Standard Overlay
Hardware:	Recommended

AVAILABLE FINISHES

FINISH	STYLE CODE
Nutmeg	R5V
Rye	R5T
Spice	R5S

Specialty Door (SD) Availability:

See page 32 for details and restrictions.



OFD

MFD

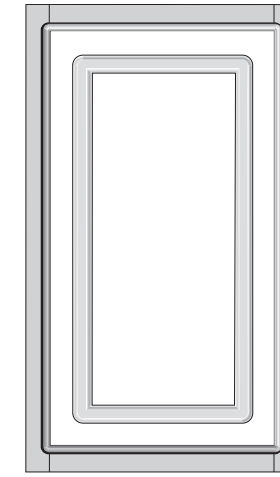
Andover

DOOR STYLE DETAILS

Species:	Thermofoil
Door Description:	Raised Panel
Door Stile & Rail Width:	2 1/8"
Drawer Front:	Routed Slab
Overlay:	Standard Overlay
Hardware:	Recommended

AVAILABLE FINISHES

FINISH	STYLE CODE
White	S3W



Door



Door Cross Section



Kneehole Drawer Front



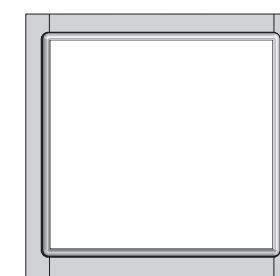
Kneehole Drawer Cross Section



Standard Drawer Front



Standard Drawer Cross Section



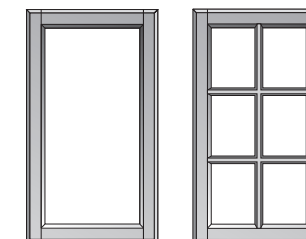
Large Drawer Front



Large Drawer Cross Section

Specialty Door (SD) Availability:

See page 32 for details and restrictions.

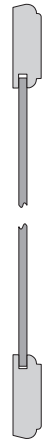


OFD

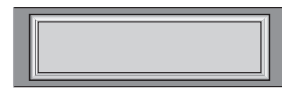
MFD



Door



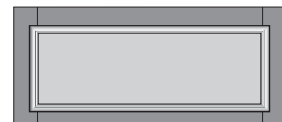
Door Cross Section



Kneehole Drawer Front



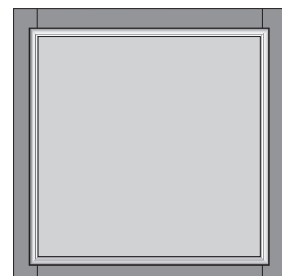
Kneehole Drawer Cross Section



Standard Drawer Front



Standard Drawer Cross Section



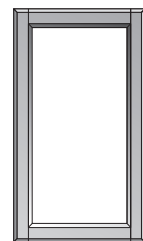
Large Drawer Front



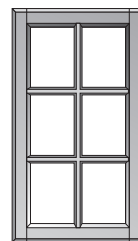
Large Drawer Cross Section

Specialty Door (SD) Availability:

See page 32 for details and restrictions.



OFD



MFD

Fairfield

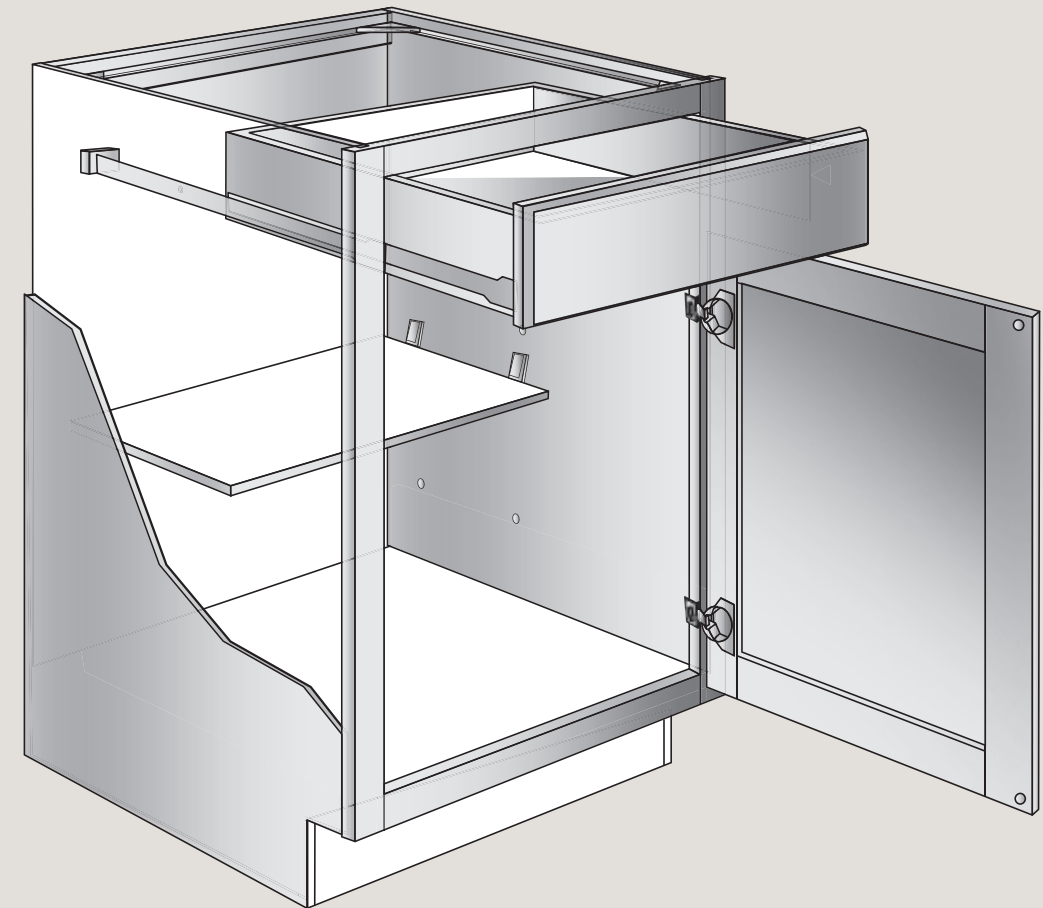
DOOR STYLE DETAILS

Species:	Hardwood
Door Description:	Recessed
Door Stile & Rail Width:	1 7/8"
Drawer Front:	Routed Slab
Overlay:	Standard Overlay
Hardware:	Recommended

AVAILABLE FINISHES

FINISH	STYLE CODE
Nutmeg	P5V
Rye	P5T
Spice	P5S

STANDARD CABINET SPECIFICATIONS



KCMA Certified

All cabinetry manufactured by Timberlake is certified by the Kitchen Cabinet Manufacturers Association (KCMA).

KCMA sets the American National Standards Institute/ KCMA 161.1- 2000 uniform performance and construction standards for kitchen and vanity cabinets. The program is referenced by U.S. government agencies, architects, builders, remodelers, and other specifiers.

Cabinets that bear the KCMA seal of certification are recognized as a quality product with the ability to perform after a rigorous battery of tests, simulating years of typical household use. Tests are performed by approved third-party independent laboratories.

Timberlake is proud to display the KCMA seal of certification for cabinet construction.



Environmentally Responsible Stewardship

As a leading U.S. manufacturer of fine cabinetry, Timberlake, a division of American Woodmark Corporation, is committed to conducting business in a manner that both protects the environment and safeguards public health and safety. To achieve this end, the company proactively identifies potential environmental risks and monitors compliance with appropriate federal, state, local, and internal standards.

Timberlake has received certification by the Kitchen Cabinet Manufacturers Association (KCMA) Environmental Stewardship Program on all products. The certification was awarded based on compliance across a broad range of activity including air quality, product resource management, process resource management, environmental stewardship, and community relations.

Timberlake works with all suppliers to encourage sustainable forestry practices. Particle board and plywood are purchased from suppliers that meet the Composite Panel Association requirements for Environmentally Preferable Products including formaldehyde emissions that comply with ANSI standards.

Timberlake uses leading edge technologies to limit both hazardous and non-hazardous emissions, byproducts, and waste. Ongoing, formal programs identify opportunities for recycling and reusing materials. When waste ultimately requires disposal, steps are taken to minimize the environmental impact.

The American Woodmark Foundation supports local programs serving the community, including activities focused on maintaining the quality of life.

Timberlake is dedicated to doing our part in the preservation and sustainability of the environment.



Cabinet Specifications

Cabinet Front Face Frames

Cabinet front face frames are made from ¾" x 1⅝" solid hardwood. They are kiln-dried to prevent warping. Face frame joints are precision fixtured, pressure fitted, and mechanically fastened.

Cabinet Side Panels

Cabinet side panels are ½" thick engineered wood. The exterior sides match cabinet finish and interior sides are finished with a natural woodgrain look using our TuffTech finishing system. They are captured into a grooved front face frame and secured using high-strength fasteners, and glue.

Cabinet Tops, Bottoms and Floors

Tops, bottoms, and floors are ½" thick engineered wood. The exterior and interior are finished with a natural woodgrain look using our TuffTech finishing system. They are fitted and glued into the cabinet front face frame grooves, then captured in the grooves of the cabinet side panels.

Cabinet Back

The cabinet back is made from ⅝" thick hardboard substrate. The inside cabinet surface is finished with a natural woodgrain look using our TuffTech finishing system.

Hanging Rails

The base and vanity top hanging rail is ¾" thick solid wood, mortise and tenon joined, and glued to the cabinet side panels. The wall cabinet hanging rails are ½" thick engineered wood, glued and pinned into the cabinet back, cabinet side panels, and top/bottom.

Cabinet Shelves

Wall, base, desk, and vanity cabinet shelves are ½" thick engineered wood finished with a natural woodgrain look using our TuffTech finishing system. Shelves are banded on one side with PVC edge banding. All shelves are adjustable and meet KCMA load standards of 15 pounds per square foot.

Drawer Systems

Value Built Series 24" Deep

Value Built Series 24" deep base and desk cabinetry utilize engineered wood drawers with printed MDF bottoms and side-mounted drawer glides. All drawers meet KCMA load standards of 15 pounds per square foot.

All Vanity, 21" Deep Desk and Sliding Shelves

All Timberlake vanity cabinetry, 21" deep desk cabinetry, and sliding shelves feature printed MDF bottoms and side-mounted drawer glides. All drawers meeting KCMA load standards of 15 pounds per square foot.

Corner Blocks

Corner blocks are attached to help ensure cabinet squareness and allow for proper countertop installation.

Hinges

Fully concealed, self-closing hidden hinges are standard on all door styles.

Inset Toe Kick

Inset toe kicks are constructed of ½" thick unfinished engineered wood. Standard toe kick dimensions are 4" high and recessed 3½". Universal Design toe kick dimensions are 8" high and recessed 6½" deep.

BTK8 or BTK* UD (matching toe kick) required for installation.

Continuous Improvement

In keeping with our policy of continuous product refinement, Timberlake reserves the right to change specifications in design and materials as conditions require.

Finishing Systems & Cabinet Care

Finishing Systems

The finishing systems used on our products are designed to ensure the beauty and durability of our cabinetry. State-of-the-art equipment allows precise sanding, filling, and finish coverage of each of our products.

TuffTech® Finishing System

Our TuffTech finishing system uses high quality materials to finish our cabinet side panels, shelves, tops, bottoms and floors. These materials ensure our cabinets are durable, easy to clean, and resistant to stain and discoloration.

Environmentally Responsible Finishing

Our panel finishing system uses only water-based paints and fillers, yielding neither hazardous waste nor water contamination. Our acrylic and urethane materials are 100% solids, dried using high intensity lights, yielding no atmospheric emissions. Our products are extremely resistant to stains and surface damage that can be caused by common household chemicals. Our products exceed KCMA and ANSI standards for resistance to stains like coffee, grape juice, and moisture.

Cabinet Care

Remove dust from cabinets frequently with a soft lint-free cloth. The cloth may be slightly dampened with water or a spray type dust remover. Do not use a paste wax type material. Wax build-up is difficult to remove and will leave a residue that attracts dust and moisture. Polishes containing silicon should not be used. Clean spills immediately. Use a clean cloth and mild soap if necessary. Wipe dry with a clean soft cloth. Do not use detergents, citrus cleaners, ammonia-based cleaners, chlorine-based cleaners, steel wool, soap pads, or abrasive cleaners on cabinets.

Extra care should be taken that cabinet finishes are not exposed to heat in excess of 200° Fahrenheit (174° for thermofoil laminated door styles). Do not place or mount small appliances beneath wall cabinets. These appliances (such as coffee makers and toasters) can produce excessive heat, which can damage the finish of cabinets. Do not expose doors or drawer fronts (especially thermofoil) to heat created from self-cleaning ovens or ranges. A heat shield kit should be used when thermofoil cabinets are installed or mounted directly next to an oven or range. For more cabinet care information, please visit www.timberlake.com/care.

Allow Cabinets To Age Beautifully

Our cabinets showcase the careful selection of natural and engineered materials to achieve the best possible look. While every effort is made to match wood grain as closely as possible, no two pieces of wood are exactly alike, even from the same tree. These differences in natural color and grain mean that each piece will respond differently to the finishing materials used. For example, close-grained woods absorb less and will vary in color from more open-grained pieces from the very same tree. It's these variations that contribute to the beauty and distinction of quality wood products. However, exposure to sunlight, smoke, and chemicals may cause some materials to fade or vary from their original color over time.

Cabinets, doors, drawer fronts, and accessories added at a later date may not exactly match cabinets installed now. For the same reasons, door samples or displays may not represent the exact color of cabinets received at the time of shipment. Consumers should also read all cleaning agent instructions carefully before application.

Due to changes that occur from natural and environmental factors a cabinet is exposed to over its lifetime, we cannot be responsible for variations that occur in the finish of natural and engineered materials as they age.

Door Species & Characteristics

Timberlake Cabinetry incorporates solid hardwoods and hardwood veneers. These are natural materials with inherent variations. As such, our quality standards establish tolerance ranges for matching the hardwood pieces. Consumers should review actual samples in our selection centers and cabinet displays to help them establish realistic expectations of variations involving wood grain, color tones, presence of knots, and so forth.

These variations are at the heart of the unique natural beauty of finished hardwood. In addition, exposure of wood products to sunlight, some chemical agents, and smoke can cause wood colors to change over time.

Hardwoods

Hardwoods have a dense structure and come from broad leaved deciduous trees such as maple, oak, birch, cherry, hickory, poplar, or ash species. We use a combination of these to achieve a great looking and highly durable product. Natural features include:

- Light blonde to dark reddish brown tones
- Small black and reddish brown mineral streaks or deposits that darken with stain
- Wavy, curly bird's-eye, or burl graining as well as worm tracking across the grain that will darken when stained
- Variations within a single door

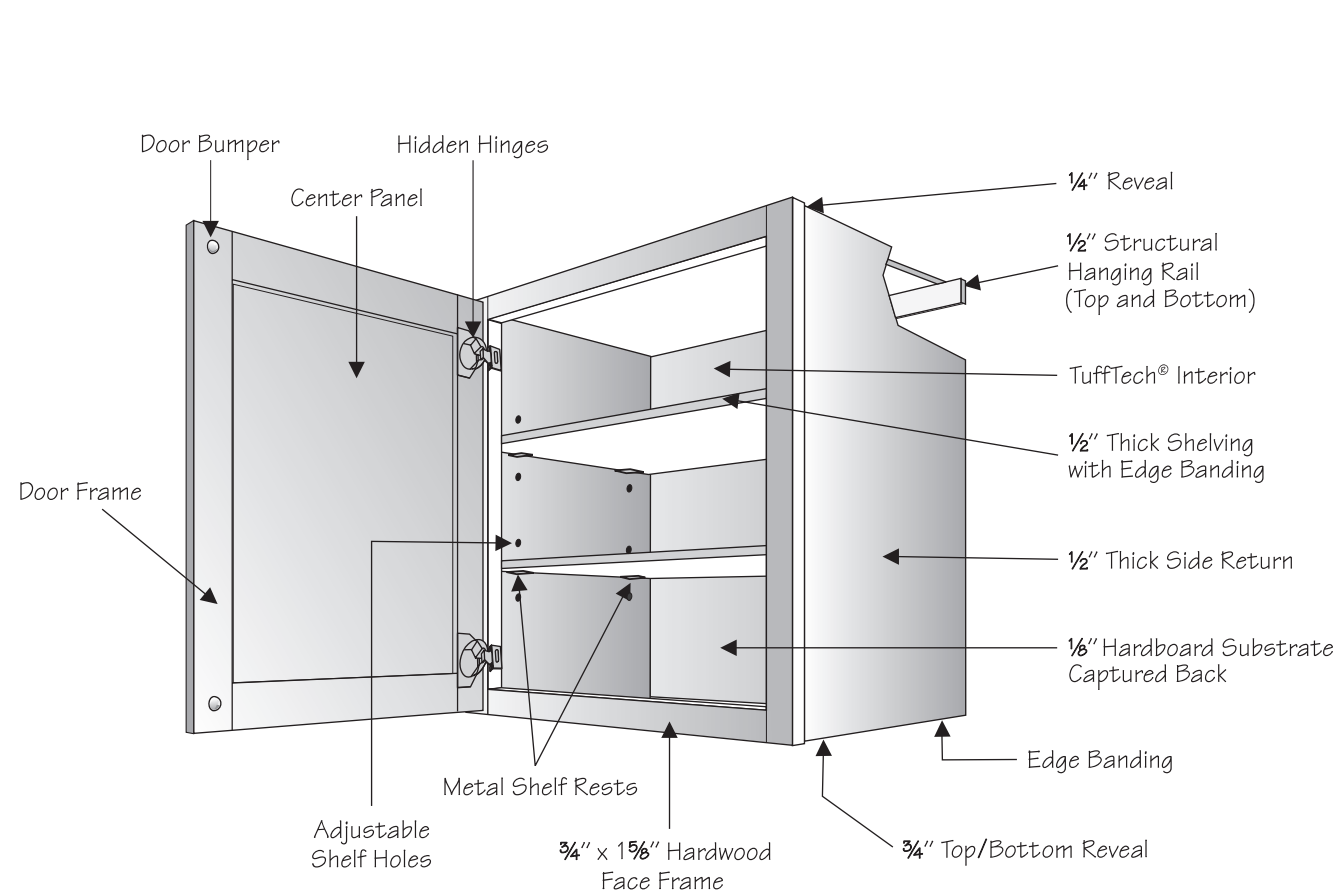
Thermofoil

Thermofoil is thick vinyl film bonded to warp-resistant engineered wood which allow cabinet doors and drawer fronts to exhibit the same styling and detail found in solid wood doors.

- The color is consistent throughout the film
- The core is medium density fiberboard (MDF) with a melamine back
- The surface is durable, easy to clean, and especially resistant to chipping and cracking

Wall Cabinet Construction

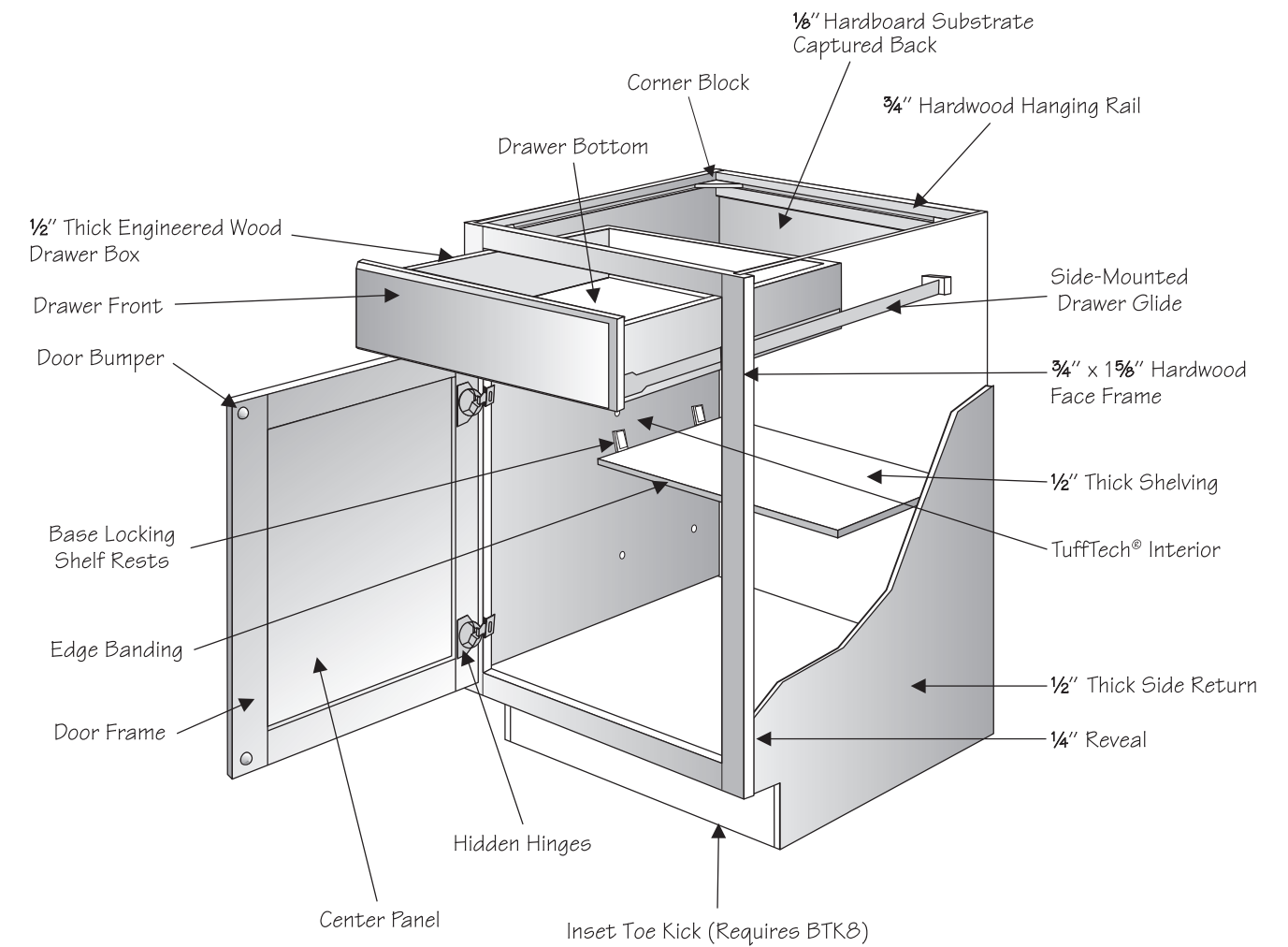
The drawing below illustrates and identifies the parts of a standard Timberlake Value Built wall cabinet.



NOTE: Single door wall cabinets must be ordered hinged left or right and can be reversed in the field.

Base Cabinet Construction

The drawing below illustrates and identifies the parts of a standard Timberlake Value Built base cabinet.

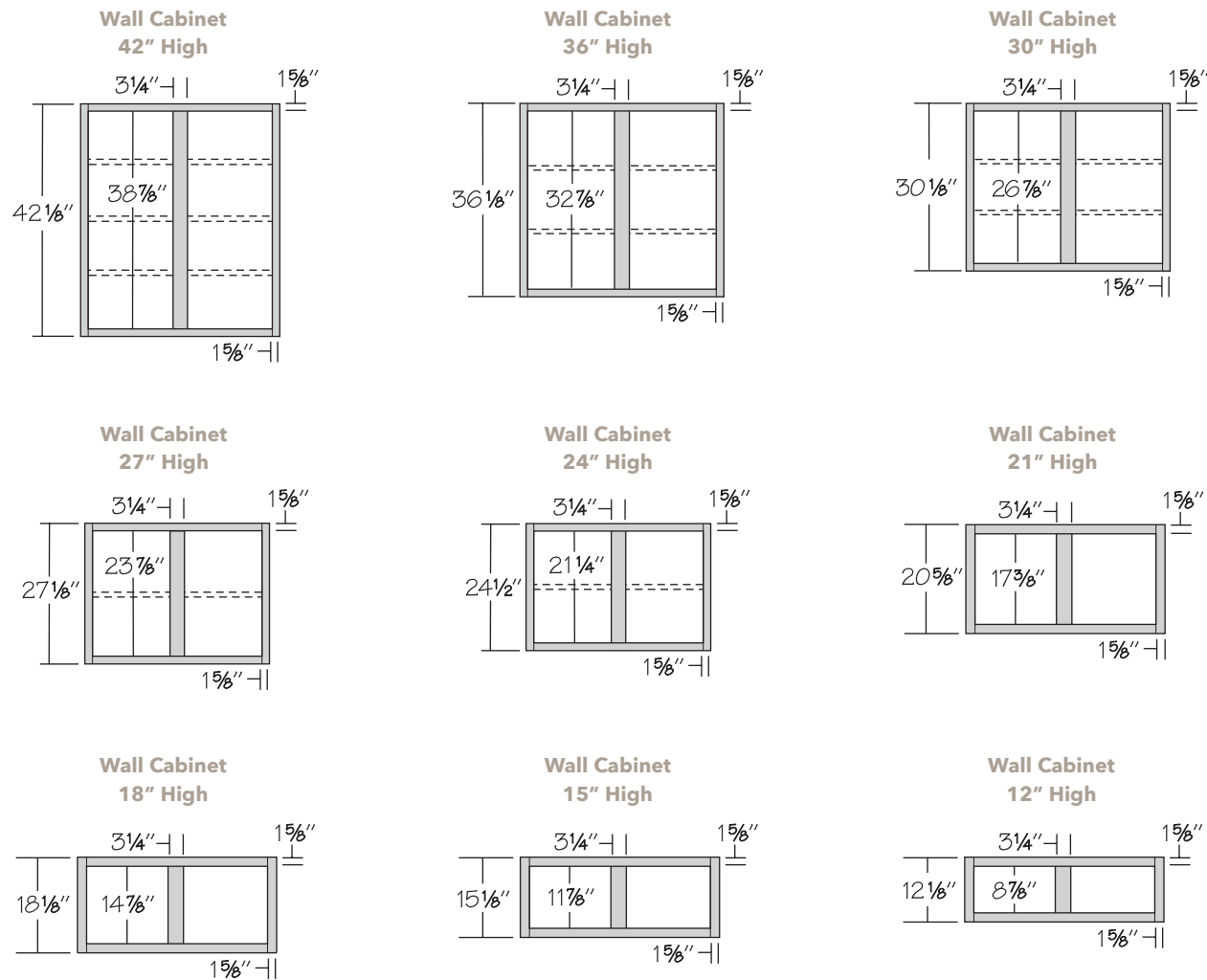


NOTE: Single door base cabinets must be ordered hinged left or right and can be reversed in the field.

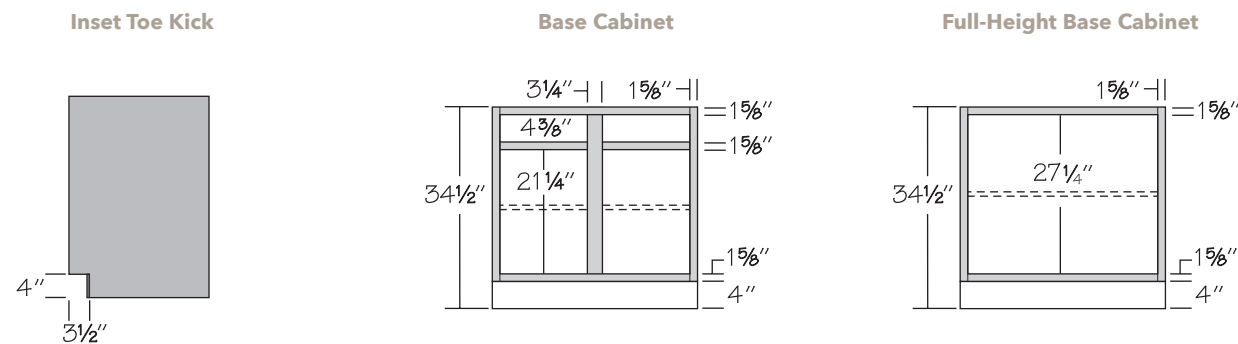
Cabinet Dimensions

These illustrations specify dimensions of vertical stiles and horizontal rails, inset toe kick, cabinet heights, and interior opening heights.

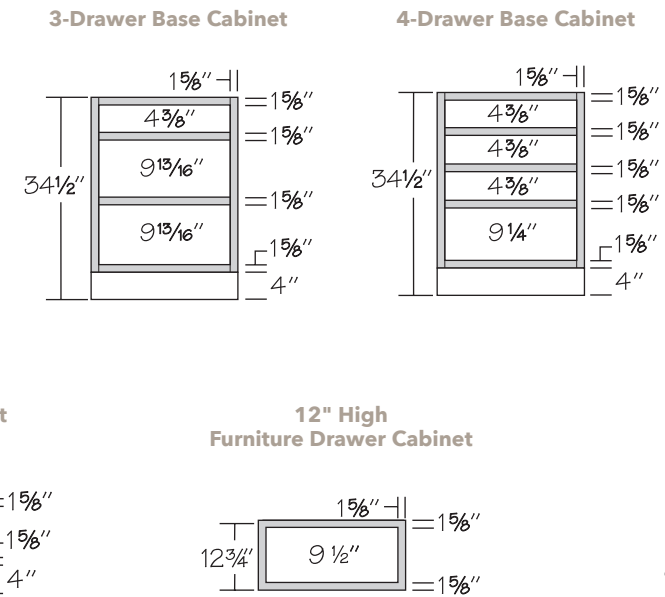
Wall Cabinets



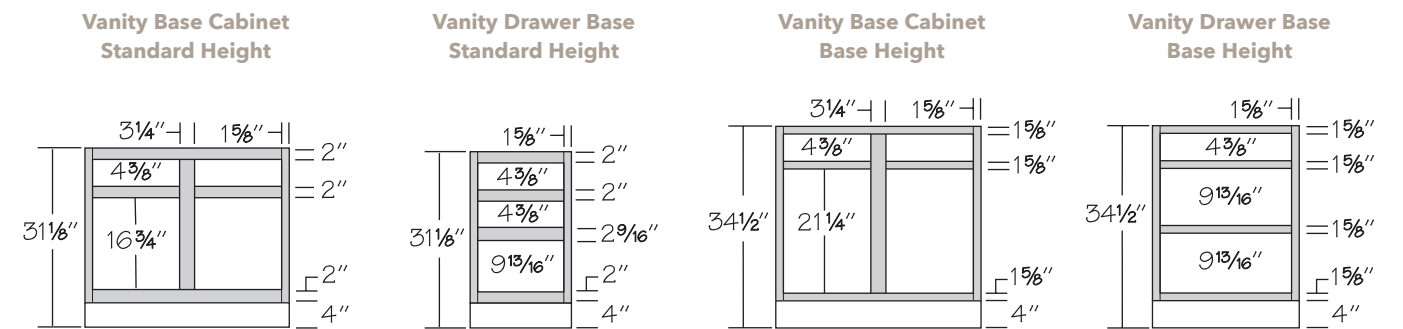
Base Cabinets



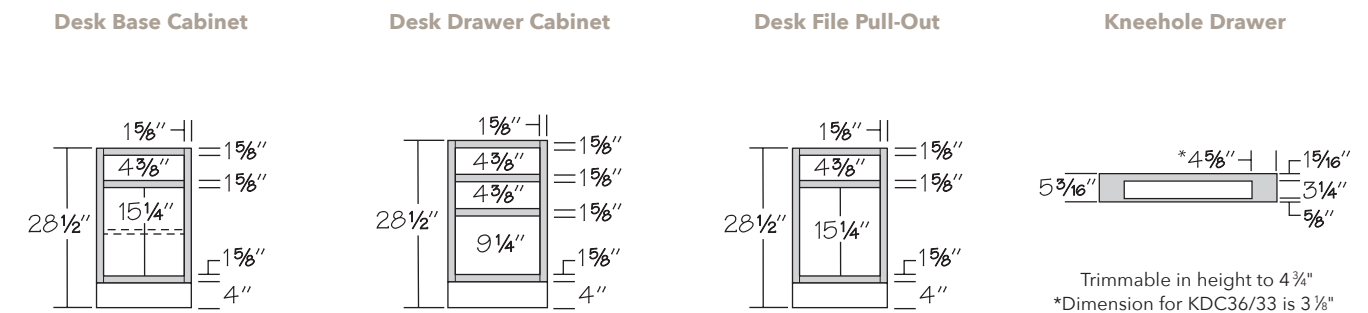
Drawer Base Cabinets



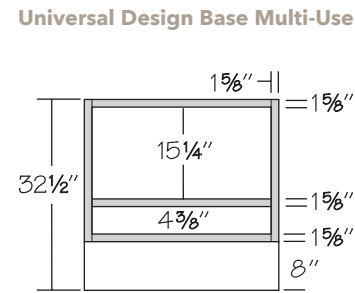
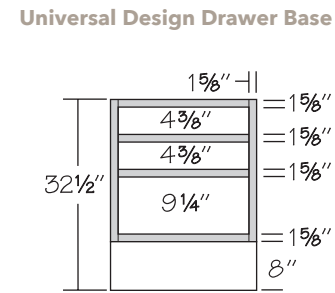
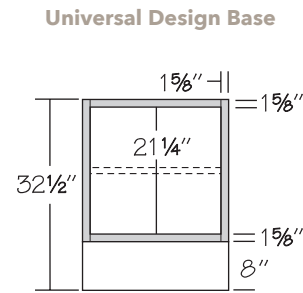
Vanity Cabinets



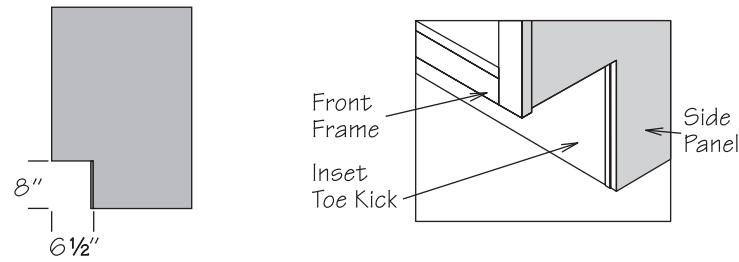
Desk Cabinets



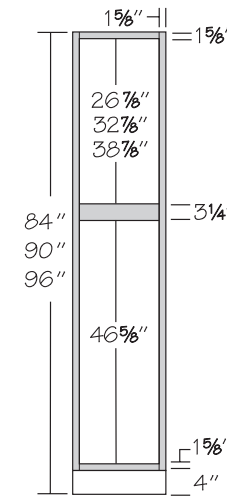
Trimmable in height to 4 3/4"
 *Dimension for KDC36/33 is 3 3/8"



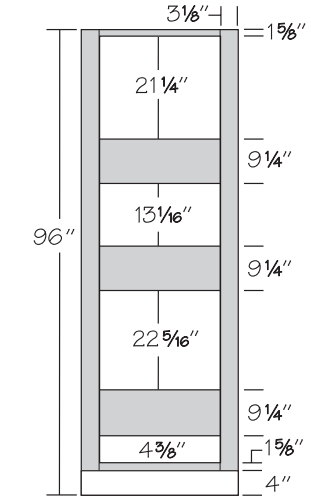
Universal Design Inset Toe Kick



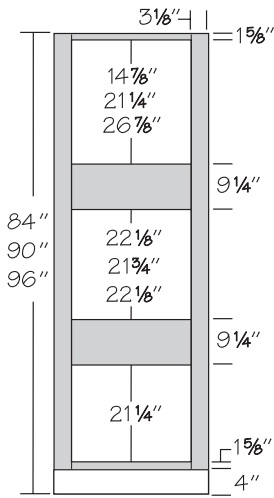
Vanity Linen & Utility Cabinets



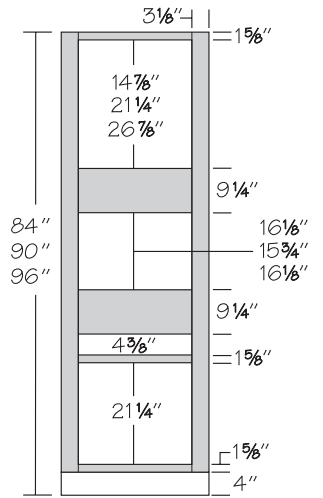
Oven Microwave Cabinet*



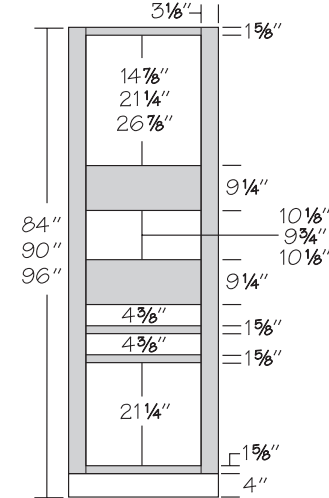
Single Oven Cabinet 4 Doors*



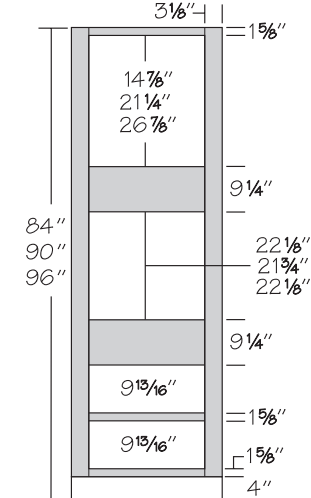
Single Oven Cabinet 4 Doors, 1 Drawer*



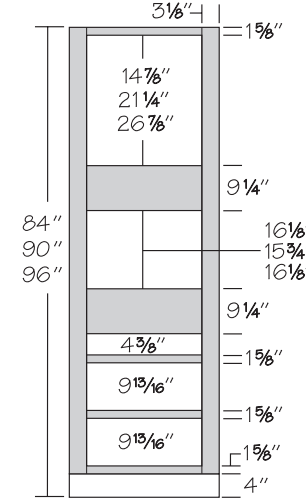
Single Oven Cabinet 4 Doors, 2 Drawers*



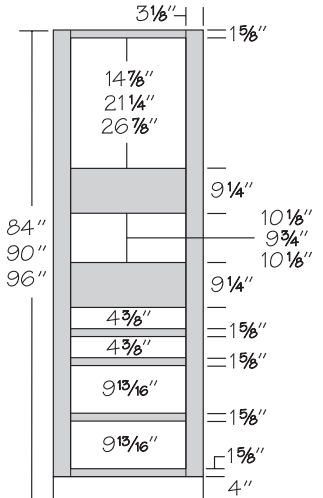
Single Oven Cabinet 2 Doors, 2 Large Drawers*



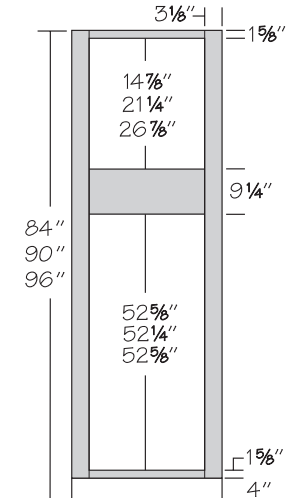
Single Oven Cabinet 2 Doors, 3 Drawers*



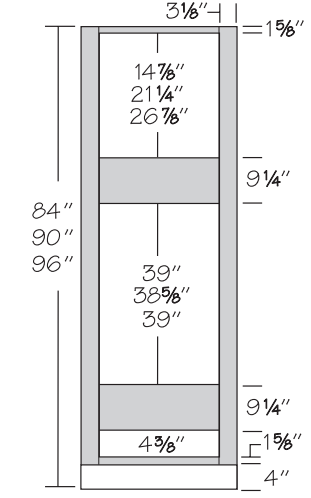
Single Oven Cabinet 2 Doors, 4 Drawers*



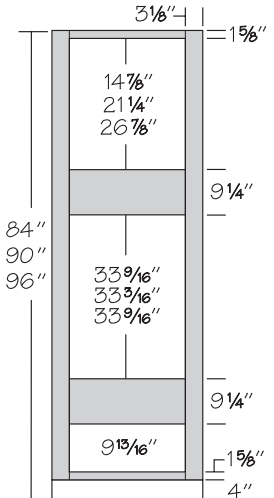
Double Oven Cabinet No Drawer*



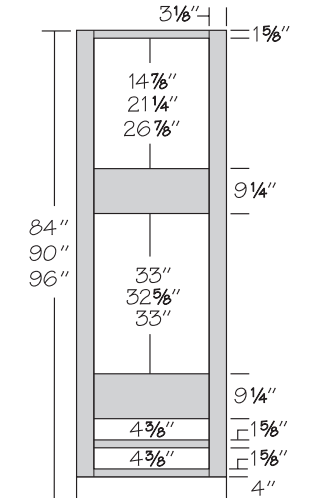
Double Oven Cabinet 1 Drawer*



Double Oven Cabinet 1 Large Drawer*

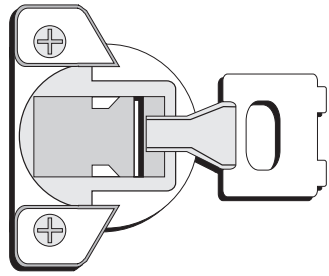


Double Oven Cabinet 2 Drawers*



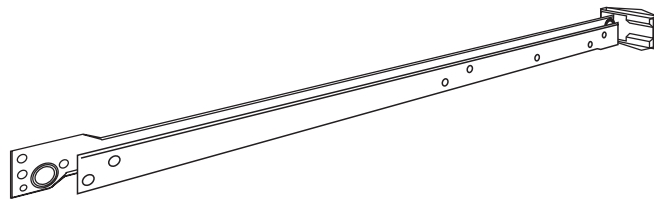
*Actual height of oven opening shown. For actual width, maximum width, and maximum height dimensions, please refer to Cutout Dimensions Chart in specific cabinet SKU box.

Standard Overlay Door Hinge



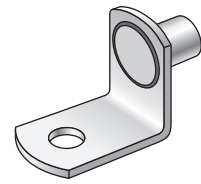
All steel construction with nickel-plated finish, $\frac{3}{16}$ " standard overlay hinge with self-closing feature that allows door to close unassisted when approximately 20-30° open. Hinge allows less than $\frac{3}{16}$ " frame-to-door gap. Up/down adjustment of $\frac{1}{4}$ ". Hinges permit doors to open to approximately 105°. Exceeds industry standard for durability.

Side-Mounted Drawer Glides



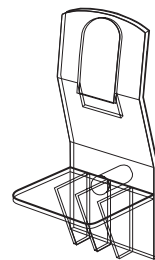
This glide system features twin self-aligning side-mounted drawer glides. They are constructed of epoxy coated steel for quiet opening and closing. Rollers are made of Delrin for smooth operation.

Metal Shelf Rest



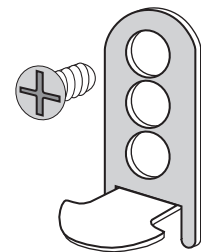
$\frac{1}{4}$ " steel, nickel plated. Standard feature on all wall cabinets, bookshelves and Open Frame cabinets.

Base Locking Shelf Rest



Locks shelves in place and prevents shelves from sliding. Designed to allow easy shelf removal. Molded from clear high-strength polycarbonate. Standard feature on all base and tall cabinets.

Mullion Shelf Rest



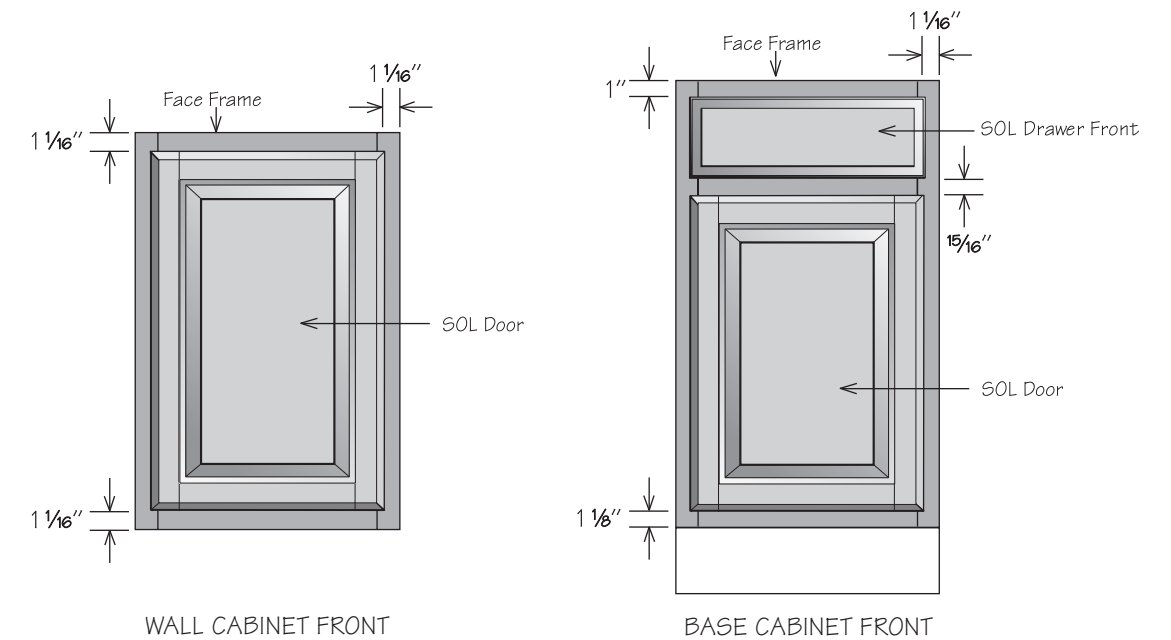
Allows for superior alignment of shelf with mullion. Metal construction. Six position adjustable. Standard feature on Mullion Frame cabinets.

Overlay Dimensions

These illustrations specify the relationship between the cabinet face frame and standard overlay doors. They show the amount of the cabinet face frame that is visible when standard overlay doors are selected.

Standard Overlay

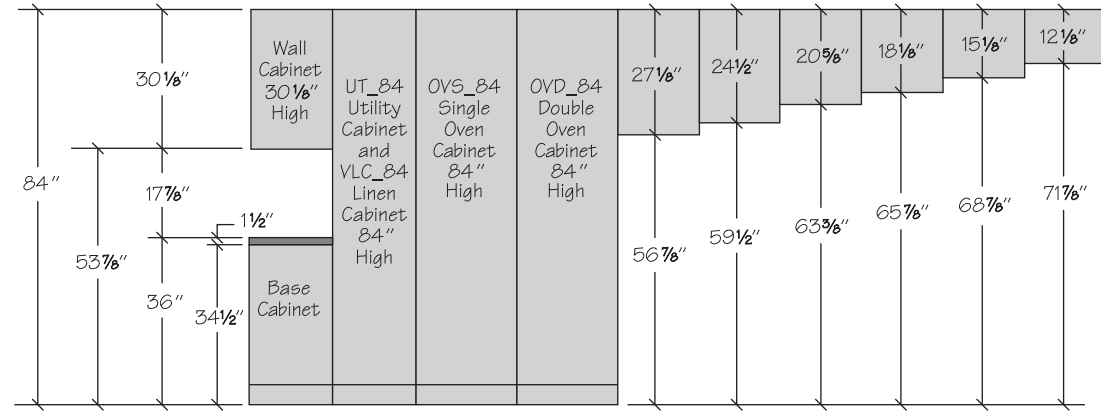
Standard overlay (SOL) doors are sized to show about an inch of the cabinet face frame, giving the door some visual depth.



Installation Height Guidelines

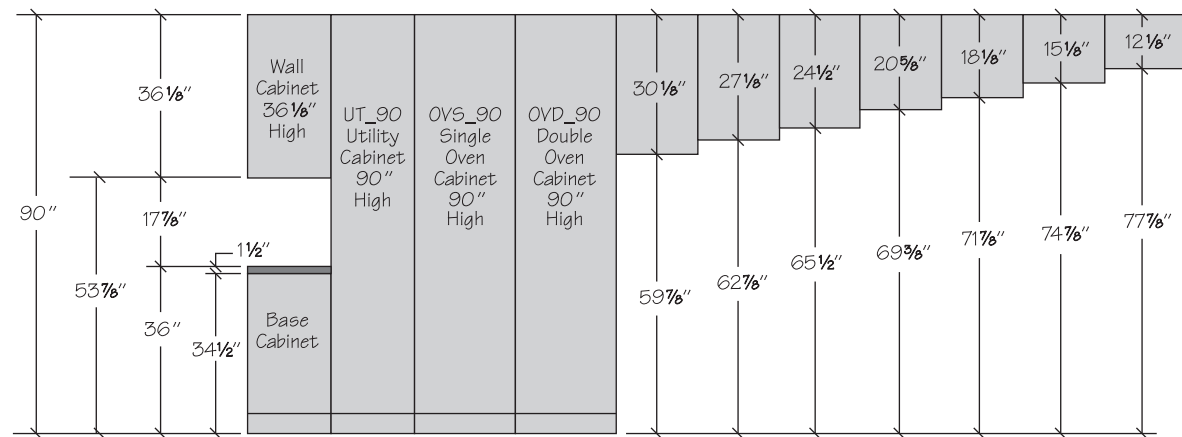
These illustrations specify dimensions of the height guidelines for top alignment of wall and tall cabinets (linen, utility, and oven) installation.

84" Top Alignment Cabinet Installation



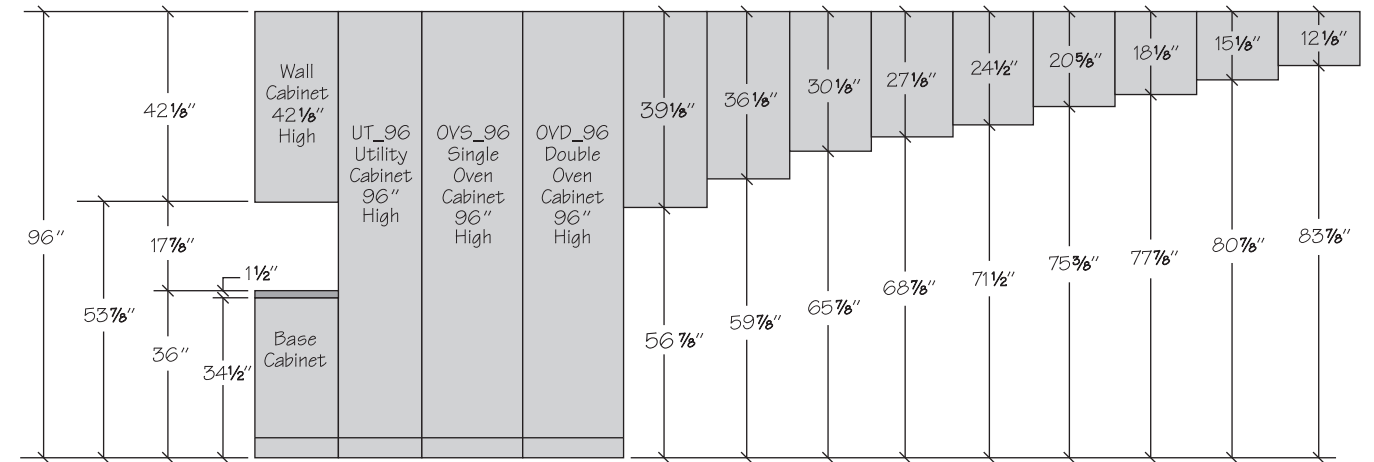
- Notes:**
- 84" top alignment cabinet installation includes wall cabinets (30 1/8" high) installed 53 7/8" above the finished floor, allowing 17 7/8" clearance between the wall cabinets and a standard countertop height of 36"
 - Tall cabinetry (linen, utility, and oven) is 84" high
 - **When selecting cabinetry for installation above or near any appliance, refer to the appliance manufacturer's specifications for clearance and venting requirements**

90" Top Alignment Cabinet Installation



- Notes:**
- 90" top alignment cabinet installation includes wall cabinets (36 1/8" high) installed 53 7/8" above the finished floor, allowing 17 7/8" clearance between the wall cabinets and a standard countertop height of 36"
 - Tall cabinetry (utility and oven) is 90" high
 - **When selecting cabinetry for installation above or near any appliance, refer to the appliance manufacturer's specifications for clearance and venting requirements**

96" Top Alignment Cabinet Installation

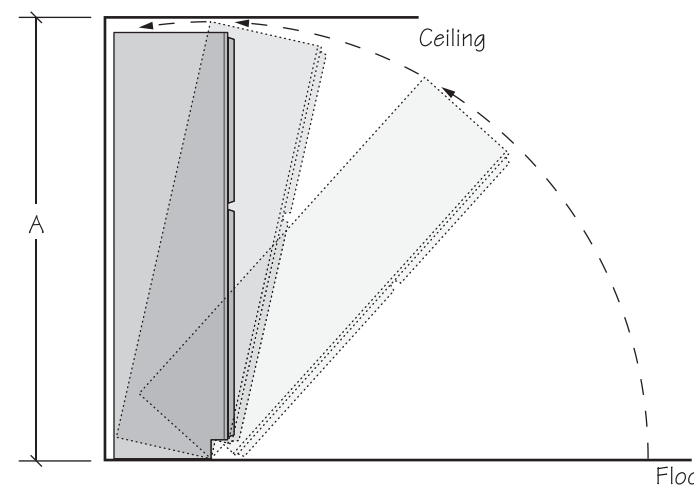


- Notes:**
- 96" top alignment cabinet installation includes wall cabinets (42 1/8" high) installed 53 7/8" above the finished floor, allowing 17 7/8" clearance between the wall cabinets and a standard countertop height of 36"
 - Tall cabinetry (utility and oven) is 96" high
 - **When selecting cabinetry for installation above or near any appliance, refer to the appliance manufacturer's specifications for clearance and venting requirements**

Ceiling Height Requirements

This illustration specifies the ceiling height requirements for tall cabinets (linen, utility, and oven).

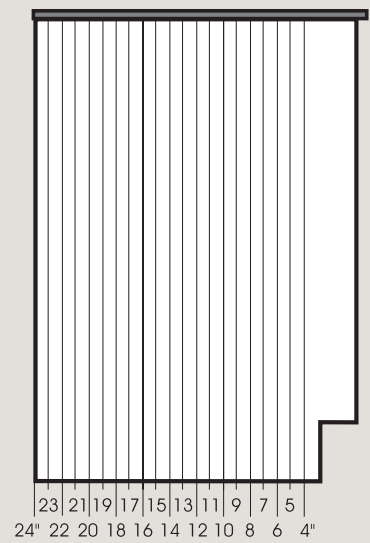
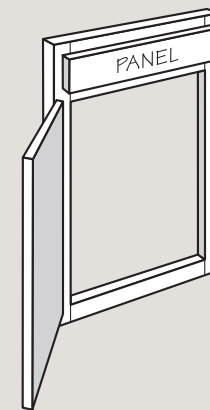
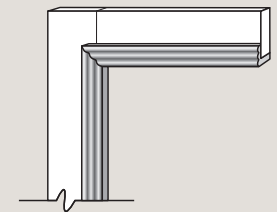
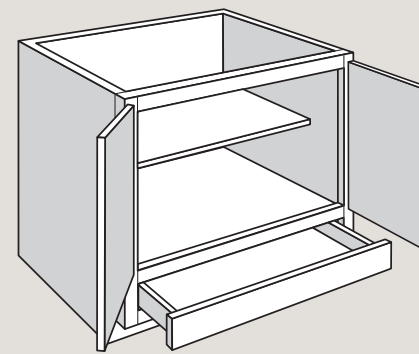
Requirements for Tall Cabinets



Height	Cabinet Depth	Minimum Ceiling Height A
84"	12"	84 7/16"
84"	18"	85 1/4"
84"	24"	86 1/2"
90"	12"	90 1/2"
90"	18"	91 3/16"
90"	24"	92 3/16"
96"	12"	96"
96"	18"	96"
96"	24"	96"

- Notes:**
- 96" high tall cabinets have 4" toe kick assembly shipped inside cabinet

CONSTRUCTION OPTIONS



Construction Options Legend NEW | OPTIONS

Icons used in this guide are shown below and indicate which construction options are available for a particular product.

- CFO Cabinet Front Only Option
- FDS **Full Depth Shelf Option**
- ID Increased Depth Option
- IF Inverted Frame Option
- MI Matching Interior Option
- RD Reduced Depth Option
- RTK Recessed Toe Kick Option
- VDO Void Door Option
- VTD **Void Top Drawer Option**

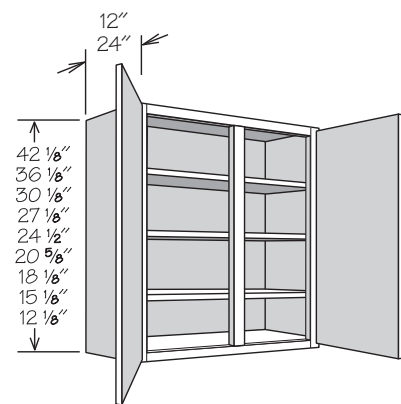
Example:

When a square ■ or diamond ♦ symbol is in an option box, it indicates that the construction option is ONLY available for SKUs listed with that symbol.

All options without a symbol are available for all SKUs.

In this example, the ♦ diamond indicates that only W3015 and W3015 SD are available with Increased Depth (ID), while the ■ square indicates that only the non-SD cabinets are available with Matching Interior (MI) and Void Door (VDO) options.

Wall Cabinets + 2 Doors



12" DEEP
W3015 ■ ♦
W3015 SD ♦

24" DEEP
W3015 X 24DP ■
W3015 X 24DP SD

Reduced Depth Option

RD

The Reduced Depth Option should be used when ordering less than standard depth cabinets. The Reduced Depth Option is available in 1" increments; minimum depth is 4". Vanity and Desk cabinets will reduce to standard reduced depth increments (e.g. Vanity cabinets with RD-20 will measure 20" in depth).

Orders specifying Reduced Depth Option must show the total cabinet depth.

Example: Cabinet: B24
Option: RD-17 (Reduced to 17" deep)


Notes:

- There is a potential tipping hazard for reduced depth cabinets until they are mounted to a wall
- Full-depth shelves are reduced in 1" increments to match Reduced Depth Option selected on cabinet(s)
- Half-depth shelves are reduced in 1" increments for cabinets reduced to 11" or less
- Peninsula Base cabinets reduced to 11" or less will not have an inset toe kick
- Universal Design cabinets reduced to 9" or less will not have an inset toe kick
- Standard base cabinets and base bookshelves reduced to 8" or less are not available with the Recessed Toe Kick Option (RTK)
- Universal Design Base cabinets reduced to 11" or less are not available with the Recessed Toe Kick Option (RTK)
- All cabinets reduced to 5" or less will not have an inset toe kick
- Reduced depth restrictions:
 - » 24" Deep Wall Top Hinge cabinets are only available with RD-23 through RD-8
 - » 12" Deep Wall Top Hinge cabinets are only available with RD-11 through RD-8
 - » Base End Angle cabinets are only available with RD-23 through RD-18
 - » Kneehole Drawer cabinets are only available with RD-20 through RD-12
 - » 24" Deep Furniture Drawer cabinets are only available with RD-23 through RD-13
- Adding the Reduced Depth Option does not remove adjustable shelves (where applicable)
- When ordering reduced depth accessories, specify the depth of the cabinet for which the accessory is intended (e.g., SK3624 RD-21 would be ordered for a UT3624 X 84 RD-21)

OPTION CODE	ACTUAL DIMENSION	
	Drawer Depth Base Cabinets, ALL Vanity Base & 21" Deep Desk Base Cabinets	Sliding Shelf Depth
RD-23	18"	18"
RD-22	18"	18"
RD-21	18"	16"
RD-20	15"	16"
RD-19	15"	16"
RD-18	15"	15"
RD-17	12"	14"
RD-16	12"	13"
RD-15	12"	12"
RD-14	9"	11"
RD-13	9"	10"
RD-12	9"	9"
RD-11 to RD-6	No Drawer	Not Available
RD-5 or RD-4	No Drawer	Not Available

Increased Depth Option

ID

The Increased Depth Option is available for most wall cabinets up to 36" wide and all Bookshelves available in 1" increments. Maximum depth is 24" (see individual cabinet specifications for  icon verifying this option availability).

Orders specifying Increased Depth Option must show the total cabinet depth.

Example: Cabinet: W1530
Option: ID-14 (Increased to 14" Deep)

Notes:

Wall Cabinets

- Adjustable shelves are increased in 1" increments to match Increased Depth Option selected on cabinet(s)
- Increased depth wall cabinets up to and including 18" deep can be mounted using standard installation procedures
- Wall cabinets increased to more than 18" deep must be stacked, floor mounted, or installed over a refrigerator
- All increased depth cabinets must be securely attached in one of the following combinations: to studs in back wall and both sides OR to studs in back wall, one side and top (e.g. two adjacent cabinets or one adjacent cabinet and a wall)

Peninsula Wall (PW) and Blind Peninsula Wall (BLPW) Cabinets

- Increased depth PW and BLPW cabinets up to 15" deep may be mounted at ceiling height using standard installation procedures
- Adjustable shelves are increased in 1" increments to match Increased Depth Option selected on cabinet(s)
- PW and BLPW cabinets increased to more than 15" deep must be stacked or floor mounted
- When mounting cabinet at ceiling height, the cabinet must be securely attached to the ceiling rafters and to at least one other properly mounted cabinet or studs in wall
- Additional 2" x 4" bracing may be required above ceiling if cabinets are not located directly below a rafter
- Mount cabinet to the ceiling using mounting screws of sufficient length to go through ceiling treatment and into the rafter at least 1". Screws must be installed at both front and back of cabinet on 16" centers (maximum span), with at least four screws per cabinet

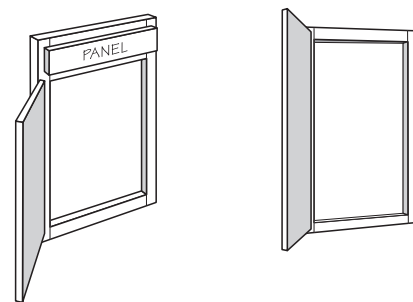
Cabinet Front Only Option

CFO

The Cabinet Front Only Option is available for most cabinets with a frame.


Notes:

- This option consists of the cabinet frame, door(s), drawer front(s), battens, and hinges
- Toe kicks are not included



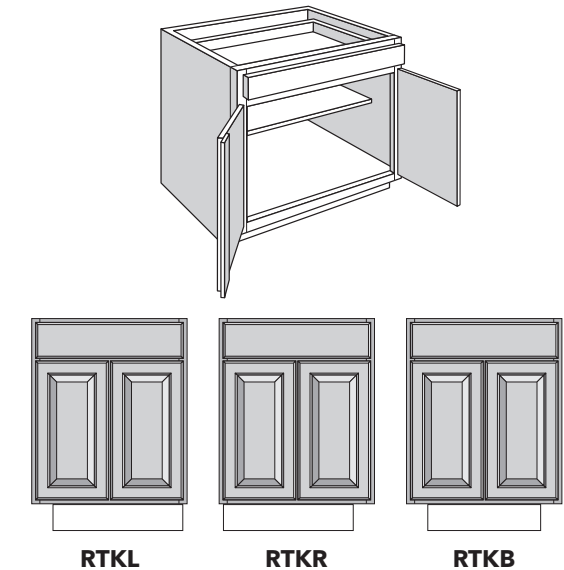
Recessed Toe Kick Option

RTK

The Recessed Toe Kick Option is available on most base, desk, and vanity base cabinetry (refer to individual cabinet specifications for  verifying this option availability). When the Recessed Toe Kick Option is selected, the end or ends to be recessed must be specified.

Notes:

- Recommended for cabinets at the end of a run, especially in island and peninsula designs
- Blind Corner Base cabinets are only available with the Recessed Toe Kick Both Option (RTKB)
- Base End Angle cabinets, 9" Base Pantry Pull-out, 9" Base Pantry Pull-out Utensil Storage, Base Tray Divider Pull-out, TB9 and TB9 TDS base cabinets are not available with the Recessed Toe Kick Both Option
- Not available for base cabinets or Base bookshelves with the Reduced Depth Option of RD-8 and lower
- Not available for Universal Design base cabinets with the Reduced Depth Option of RD-11 and lower
- For Peninsula Base cabinets, the working drawer side indicates the front of the cabinet in order to correctly select Recessed Toe Kick Right (RTKR) or Left (RTKL)
- Peninsula Base cabinets ordered with Recessed Toe Kick Option must be secured to the floor through the cabinet bottom into bracing secured to the floor
- Base Toe Kick required for front and any exposed side(s)
- Recessed toe kick box is not flush on non-recessed side



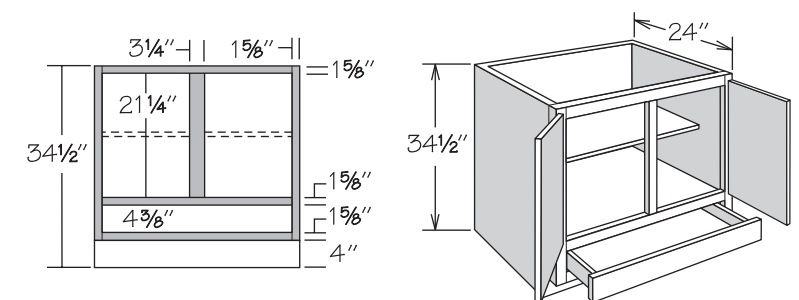
Inverted Frame Option

IF

The Inverted Frame Option is available for most standard base cabinets and base cabinets with accessories (see individual cabinet specifications for icon  verifying this option availability).

Notes:

- Drawer(s) below full cabinet floor
- Adjustable shelf is included
- Available with the Recessed Toe Kick (RTK) or Reduced Depth Option (RD)



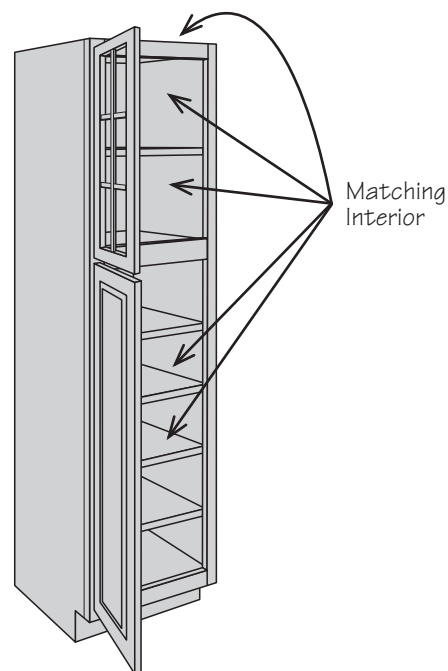
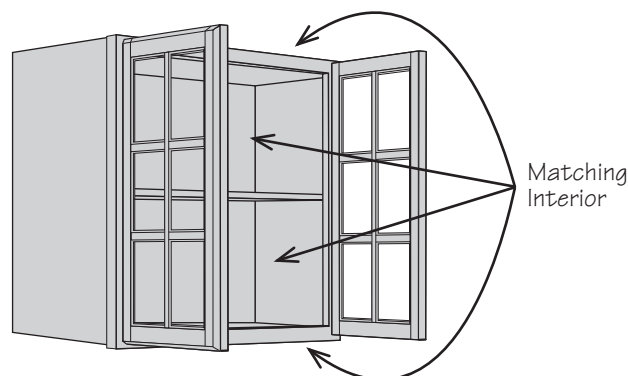
Matching Interior Option

MI

The Matching Interior Option is available for Wall cabinets (with the exceptions noted below), Utility cabinets, Vanity Linen cabinets, and Refrigerator Return Panels. This option matches the cabinet's interior to that of the cabinet's exterior sides.

Notes:

- Standard construction cabinetry with the Matching Interior Option features two-sided engineered wood TuffTech finish side panels finished to match cabinet exterior
- Recommended for Wall cabinets with the Void Door Option (VDO)
- Not available for any Wall cabinet with a standard matching interior (including all Specialty Door cabinets)
- All finished surfaces of the Wall, Utility, and Vanity Linen cabinets will be color matched including shelves, back interior and exterior of returns top and bottom, corner wall back post, and back side of Peninsula Wall face frame
- Interior accessories in matching interior cabinets will remain natural finish (e.g., Spice Rack Kit, Sliding Shelves, Pantry Swing-Out Kit)



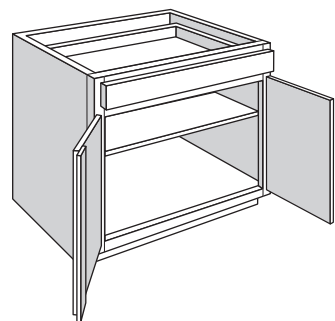
Full Depth Shelf Option NEW | OPTION

FDS

The Full Depth Shelf Option is available for most base cabinets and will convert the half-depth shelf to a full-depth shelf.

Notes:

- Available for individual cabinets
- This option is only available for cabinets without accessories
- Can be combined with the Reduced Depth Option



Void Door Option

VDO/VDM

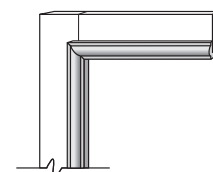
The Void Door Option is available for most Wall cabinets. All void door cabinets ship without doors or hinges - center stiles and adjustable shelves will remain. Cabinet frames are pre-drilled for door hinges. All void door Wall Top Hinge cabinets ship without door, lid stays, and hinges.

Refer to the descriptions below to select the correct option for your layout:

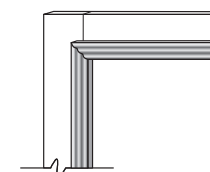
- VDO-DFH (Drilled For Hinges)
- VDM-SBAM (Single Bead Accent Molding)
- VDM-TBAM (Triple Bead Accent Molding)
- VDM-SAM (Shaker Accent Molding)

Notes for VDM options:

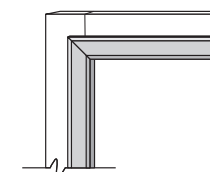
- Can be used to create decorative open cabinets
- Decorative Accent Moldings will conceal hinge holes
- Molding is to be cut and field installed at the job site
- When matching interior is desired, the Matching Interior Option must be selected separately



VDM-SBAM
Single Bead Accent Molding



VDM-TBAM
Triple Bead Accent Molding



VDM-SAM
Shaker Accent Molding

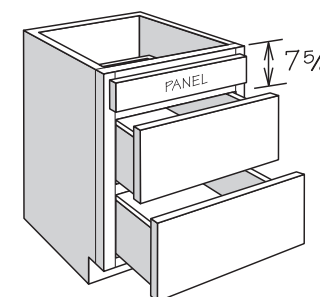
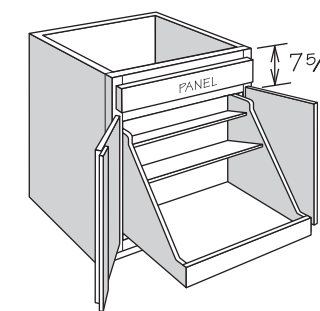
Void Top Drawer Option NEW | OPTION

VTD

The Void Top Drawer Option is available for most 3 Drawer Base, 4 Drawer Base, Base with Sliding Shelves, Base with Pot & Pan Organizer and Peninsula Base cabinets.

Notes:

- This option removes the drawer body and glide system and replaces it with a false panel on any top drawer(s)
- On cabinets with multiple top drawers, all top drawers will be voided
- When using an appliance, the interior height clearance is 7 $\frac{5}{8}$ " from the top of the cabinet to the top of the door/drawer opening below the voided drawer
- Subtract 1 $\frac{1}{2}$ " from width and depth for available top opening - removal of corner blocks may be required
- Removal of the top rail is not recommended
- Refer to appliance manufacturer's specifications for adequate clearances and required installation materials



Specialty Door Options

SD

Specialty Door Option cabinets are available for most Wall, Utility, and Vanity Linen cabinet sizes. All Specialty Door Option cabinets include Matching Interior as standard and require one of the specialty door options below (see page 30 for Matching Interior construction). Specialty Door Options for Utility and Vanity Linen cabinets applies to top door(s) only.

Open Frame Door (OFD) notes:

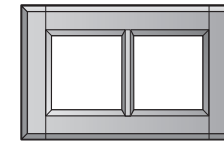
- Features door frame only with no mullions or center panel
- Decorative glass inserts and appropriate glass clips are shipped separately from the cabinet for field installation - see pages 34-36 for available glass inserts
- See page 33 for door style profiles

Mullion Frame Door (MFD) notes:

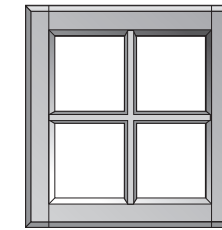
- Features grid-style mullions
- Not available for Wall Top Hinge cabinets
- Decorative glass inserts and appropriate glass clips are shipped separately from the cabinet for field installation - see page 34-36 for available glass inserts
- See page 33 for door style profiles

Mullion Frame Door Profiles

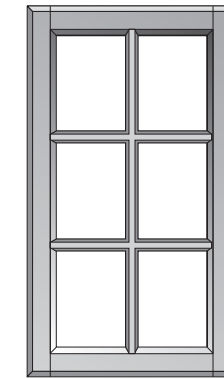
MFD



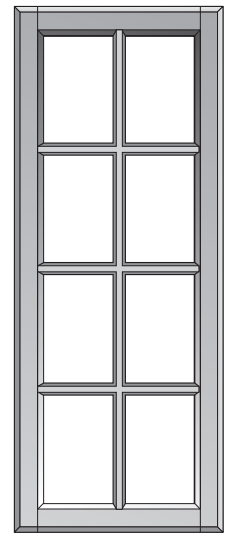
12" High Wall Cabinets



15", 18", 21", 24" or 27" High Wall Cabinets



30" or 36" High Wall Cabinets
84" or 90" High Utility Cabinets
84" High Vanity Linen Cabinets



42" High Wall Cabinets
96" High Utility Cabinets

SPECIALTY DOOR AVAILABILITY BY SIZE

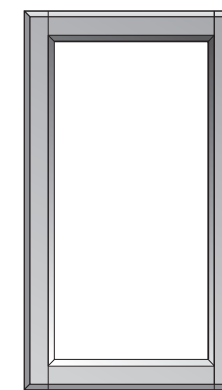
Door Width	Door Height									
	12" High Wall	15" High Wall	18" High Wall	24" High Wall	30" High Wall	36" High Wall	42" High Wall	84" High Utility or Vanity Linen	90" High Utility	96" High Utility
12" Wide			•	•	•	•	•	•	•	•
13" Wide			•	•	•	•	•			
15" Wide	•	•	•	•	•	•	•	•	•	•
16" Wide	•	•	•	•	•	•	•			
18" Wide	•	•	•	•	•	•	•	•	•	•
19" Wide	•	•	•	•	•	•	•			
21" Wide			•	•	•	•	•			
30" Wide		■	■							
36" Wide		■	■							
42" Wide	■									

• Available with all Specialty Door Options

■ Wall Top Hinge cabinets only - not available with MFD Options

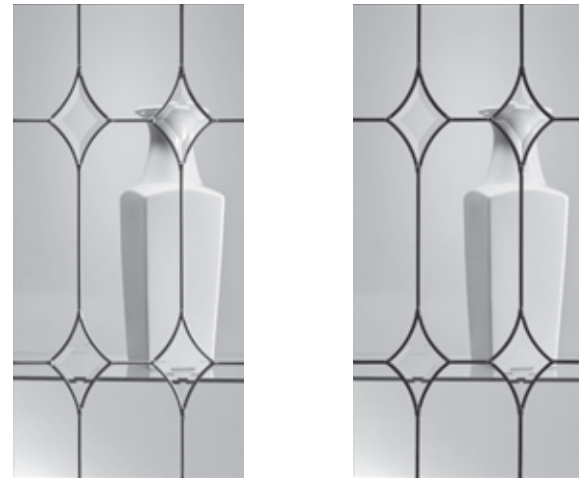
Open Frame Door Profiles

OFD



All Height Wall Cabinets

Afton Glass



AFTON

ANTIQUED AFTON

OFD

- 5/16" overall thickness
- Afton has a clear glass design using zinc coming with clear beveled diamonds
- Antiqued Afton has a clear glass design using bronze patina coming with clear beveled diamonds
- Features one row of diamonds for 12"-18" high doors and two rows for 21" or higher doors
- Features one column of diamonds for 12"-13" wide doors and two columns for 15" or wider doors
- Spacing will vary according to glass width and height
- Includes appropriate Decorative Glass Clips
- Not available for Wall Top Hinge cabinets
- Order as DGI-___ AFTON or DGI-___ ANTIQUED AFTON, refer to Parts Directory for nomenclature and dimensions

Clear Glass



OFD
MFD

- 1/8" thick panel
- Clear glass
- Tempered safety glass
- Includes appropriate Decorative Glass Clips
- Order as DGI-___ CLEAR, refer to Parts Directory for nomenclature and dimensions

Frosted Glass



OFD
MFD

- 1/8" thick panel
- Frosted glass with etched finish
- Tempered safety glass
- Includes appropriate Decorative Glass Clips
- Order as DGI-___ FROSTED, refer to Parts Directory for nomenclature and dimensions

Frosted Ash Glass



OFD
MFD

- 1/8" thick panel
- Gray tinted glass
- Tint is manufactured in material - not a film
- Tempered safety glass
- Includes appropriate Decorative Glass Clips
- Order as DGI-___ FROSTED ASH, refer to Parts Directory for nomenclature and dimensions

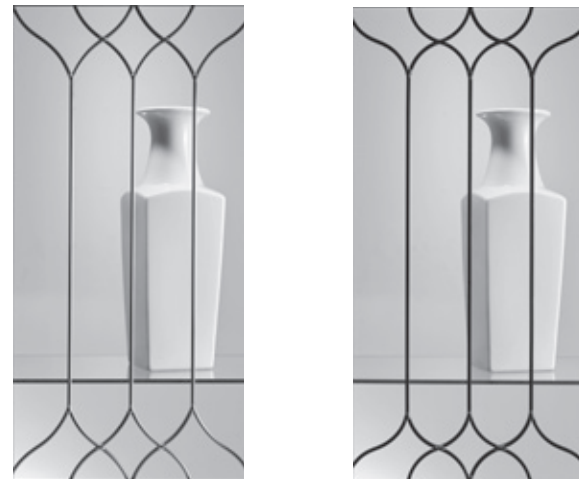
Frosted UMBER Glass



OFD
MFD

- 1/8" thick panel
- Bronze tinted glass
- Tint is manufactured in material - not a film
- Tempered safety glass
- Includes appropriate Decorative Glass Clips
- Order as DGI-___ FROSTED UMBER, refer to Parts Directory for nomenclature and dimensions

Fincastle Glass



FINCASTLE

ANTIQUED FINCASTLE

OFD

- 5/16" overall thickness
- Fincastle has a clear glass design using zinc coming
- Antiqued Fincastle has a clear glass design using bronze patina coming
- Not available for 12" high doors
- Includes appropriate Decorative Glass Clips
- Not available for Wall Top Hinge Cabinets
- All sizes features 3 vertical coming lines, spacing will vary according to glass width
- Order as DGI-___ FINCASTLE or DGI-___ ANTIQUED FINCASTLE, refer to Parts Directory for nomenclature and dimensions

Derbyshire Seeded Glass



OFD
MFD

- 5/16" thick panel
- Clear seeded glass
- Laminated safety glass
- Includes appropriate Decorative Glass Clips
- Order as DGI-___ DERBYSHIRE, refer to Parts Directory for nomenclature and dimensions

Havana Glass



OFD
MFD

- 1/8" thick panel
- Bronze tinted glass with a two-sided acid etched pattern - one horizontal and one vertical
- Tempered safety glass
- Includes appropriate Decorative Glass Clips
- Order as DGI-___ HAVANA, refer to Parts Directory for nomenclature and dimensions

Impression Glass



OFD
MFD

- 1/8" thick panel
- Sculptural glass
- Tempered safety glass
- Includes appropriate Decorative Glass Clips
- Order as DGI-___ IMPRESSION, refer to Parts Directory for nomenclature and dimensions

Lucent Glass



OFD
MFD

- 1/8" thick panel
- Sculptural glass
- Tempered safety glass
- Includes appropriate Decorative Glass Clips
- Order as DGI-___ LUCENT, refer to Parts Directory for nomenclature and dimensions

Meredith Glass



OFD
MFD

- ¼" overall thickness (⅛" beveled edge thickness)
- Clear glass design with 1¼" wide beveled edges
- Tempered safety glass
- Includes appropriate Decorative Glass Clips
- Order as DGI-___MEREDITH, refer to Parts Directory for nomenclature and dimensions

Mirrored Glass



OFD
MFD

- ¼" thick panel
- Laminated safety glass
- White vinyl in between glass layers
- Includes appropriate Decorative Glass Clips
- Order as DGI-___MIRROR, refer to Parts Directory for nomenclature and dimensions

Radiance Glass



OFD
MFD

- ¼" thick panel
- Clear glass with randomized bronze/copper fabric
- Randomized patterns may result in inherent variations between adjacent pieces
- Laminated safety glass
- Includes appropriate Decorative Glass Clips
- Order as DGI-___RADIANCE, refer to Parts Directory for nomenclature and dimensions

Ribbed Glass



OFD
MFD

- ½" thick panel
- Clear ribbed glass
- Tempered safety glass
- Includes appropriate Decorative Glass Clips
- Not available for Wall Top Hinge Cabinets
- Order as DGI-___RIBBED, refer to Parts Directory for nomenclature and dimensions

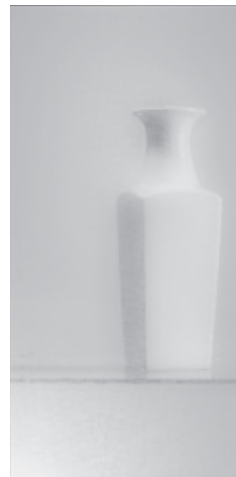
Twilight Glass



OFD
MFD

- ¼" thick panel
- Laminated safety glass
- Clear glass with randomized silver fabric
- Randomized patterns may result in inherent variations between adjacent pieces
- Includes appropriate Decorative Glass Clips
- Order as DGI-___TWILIGHT, refer to Parts Directory for nomenclature and dimensions

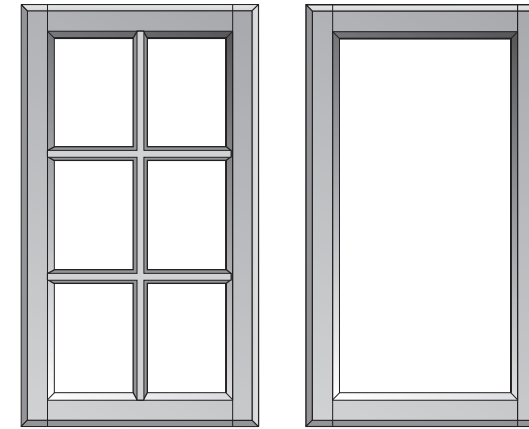
Woven Glass



OFD
MFD

- ½" thick panel
- Acid-etched fabric pattern
- Low-iron glass
- Tempered safety glass
- Includes appropriate Decorative Glass Clips
- Order as DGI-___WOVEN, refer to Parts Directory for nomenclature and dimensions

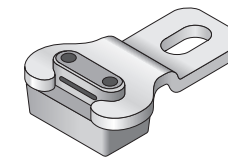
Prepped for Glass



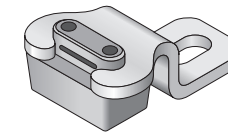
- For customer installed inserts up to ½" thick
- Refer to page 33 for standard profiles
- Decorative Glass Clips not included - order separately

OFD
MFD

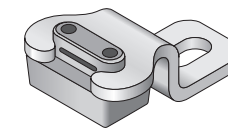
Decorative Glass Clips



CLIP DGI 1/8



CLIP DGI 1/4



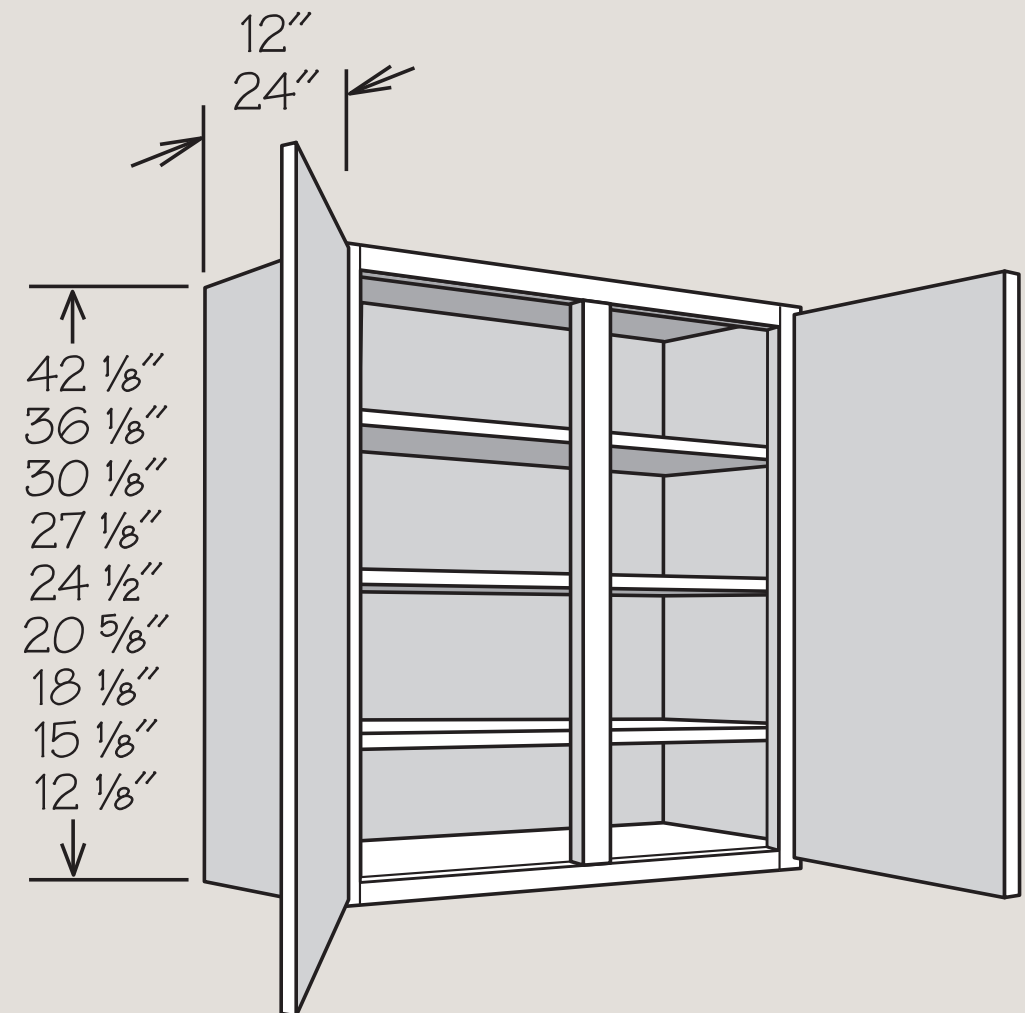
CLIP DGI 5/16

- For installation of decorative glass insert
- Order one bag (six clips) per door

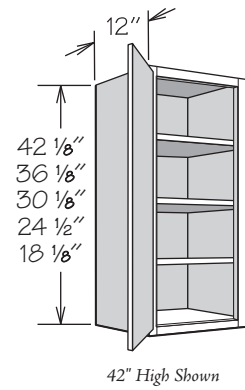
CLIP DGI 1/8
CLIP DGI 1/4
CLIP DGI 5/16

Glass Insert	CLIP DGI 1/8	CLIP DGI 1/4	CLIP DGI 5/16
Afton			•
Antiqued Afton			•
Antiqued Fincastle			•
Clear	•		
Derbyshire			•
Fincastle			•
Frosted	•		
Frosted Ash	•		
Frosted Umber	•		
Havana	•		
Impression	•		
Lucent	•		
Meredith	•		
Mirror		•	
Radiance		•	
Ribbed	•		
Twilight		•	
Woven	•		

WALL CABINETS



Wall Cabinets + 1 Door



42" High Shown

- Must be ordered as hinged left or right
- Specialty Door cabinets (SD) feature Matching Interior standard and require a specialty door selection

CFO
ID
MI
RD
VDO

12" DEEP

42"H • 3 shelves

W942 ■
W1242 ■
W1542 ■
W1842 ■
W2142 ■
W1242 SD
W1542 SD
W1842 SD
W2142 SD

36"H • 2 shelves

W936 ■
W1236 ■
W1536 ■
W1836 ■
W2136 ■
W1236 SD
W1536 SD
W1836 SD
W2136 SD

30"H • 2 shelves

W930 ■
W1230 ■
W1530 ■
W1830 ■
W2130 ■
W1230 SD
W1530 SD
W1830 SD
W2130 SD

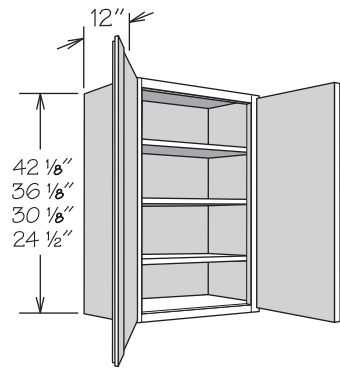
24"H • 1 shelf

W1224 ■
W1524 ■
W1824 ■
W2124 ■
W1224 SD
W1524 SD
W1824 SD
W2124 SD

18"H • no shelf

W1218 ■
W1518 ■
W1818 ■
W2118 ■
W1218 SD
W1518 SD
W1818 SD
W2118 SD

Wall Cabinets + 2 Doors with Batten



42" High Shown

- Left door with batten
- Specialty Door cabinets (SD) feature Matching Interior standard and require a specialty door selection

CFO
ID
MI
RD
VDO

12" DEEP

42"H • 3 shelves

W2442 ■
W2442 SD

36"H • 2 shelves

W2436 ■
W2436 SD

30"H • 2 shelves

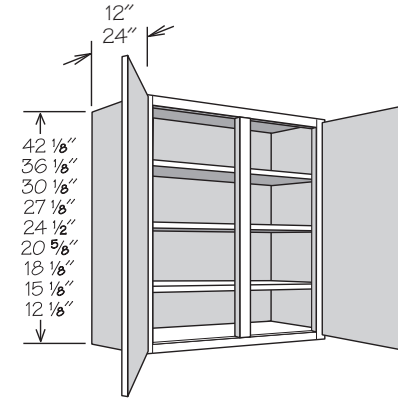
W2430 1B ■
W2430 SD 1B

24"H • 1 shelf

W2424 ■
W2424 SD

Wall Cabinets + 2 Doors

NEW | SIZES



42" High Shown

- Specialty Door cabinets (SD) feature Matching Interior standard and require a specialty door selection
- 24" deep cabinets must be securely attached in one of the following combinations: to studs in back wall and both sides OR to studs in back wall, one side and top (e.g. two adjacent cabinets or one adjacent cabinet and a wall)

CFO
ID
MI
RD
VDO

12" DEEP

42"H • 3 shelves

W2742 ■◆
W3042 ■◆
W3342 ■◆
W3642 ■◆
W3942 ■◆
W4242 ■◆
W2742 SD ◆
W3042 SD ◆
W3342 SD ◆
W3642 SD ◆
W3942 SD ◆
W4242 SD ◆

36"H • 2 shelves

W2736 ■◆
W3036 ■◆
W3336 ■◆
W3636 ■◆
W3936 ■◆
W4236 ■◆
W2736 SD ◆
W3036 SD ◆
W3336 SD ◆
W3636 SD ◆
W3936 SD ◆
W4236 SD ◆

30"H • 2 shelves

W2730 ■◆
W3030 ■◆
W3330 ■◆
W3630 ■◆
W3930 ■◆
W4230 ■◆
W4830 ■◆
W2730 SD ◆
W3030 SD ◆
W3330 SD ◆
W3630 SD ◆
W3930 SD ◆
W4230 SD ◆

24"H • 1 shelf

W2724 ■◆
W3024 ■◆
W3324 ■◆
W3624 ■◆
W3924 ■◆
W4224 ■◆
W2724 SD ◆
W3024 SD ◆
W3324 SD ◆
W3624 SD ◆
W3924 SD ◆
W4224 SD ◆

18"H • no shelf

W2418 ■◆
W2718 ■◆
W3018 ■◆
W3318 ■◆
W3618 ■◆
W3918 ■◆
W4218 ■◆
W2418 SD ◆
W2718 SD ◆
W3018 SD ◆
W3318 SD ◆
W3618 SD ◆
W3918 SD ◆
W4218 SD ◆

15"H • no shelf

W3015 ■◆
W3315 ■◆
W3615 ■◆
W3915 ■◆
W3015 SD ◆
W3315 SD ◆
W3615 SD ◆
W3915 SD ◆

12"H • no shelf

W3012 ■◆
W3312 ■◆
W3612 ■◆
W3912 ■◆
W3012 SD ◆
W3612 SD ◆
W3912 SD ◆

24" DEEP

27"H • 1 shelf

W3027 X 24 DP ■

24"H • 1 shelf

W3024 X 24 DP ■
W3324 X 24 DP ■
W3624 X 24 DP ■
W3924 X 24 DP ■

21"H • no shelf

W3021 X 24 DP ■
W3321 X 24 DP ■
W3621 X 24 DP ■
W3921 X 24 DP ■

18"H • no shelf

W3018 X 24 DP ■
W3318 X 24 DP ■
W3618 X 24 DP ■
W3918 X 24 DP ■

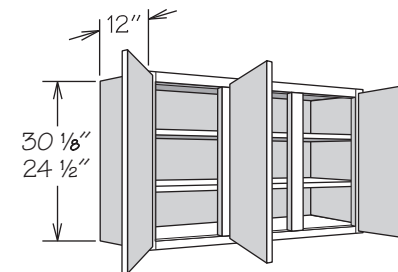
15"H • no shelf

W3015 X 24 DP ■
W3315 X 24 DP ■
W3615 X 24 DP ■
W3915 X 24 DP ■

12"H • no shelf

W3012 X 24 DP ■
W3312 X 24 DP ■
W3612 X 24 DP ■
W3912 X 24 DP ■

Wall Cabinets + 3 Doors



30" High Shown

- Hinged as shown
- Specialty Door cabinets (SD) feature Matching Interior standard and require a specialty door selection

CFO
MI
RD
VDO

12" DEEP

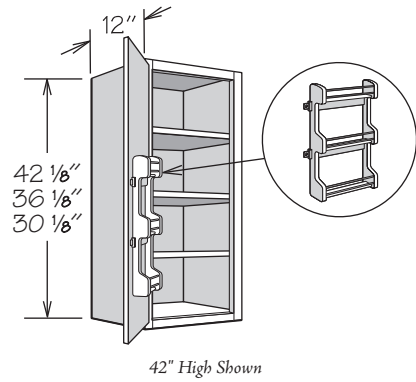
30"H • 2 shelves

W4530 ■
W4530 SD

24"H • 1 shelf

W4524 ■
W4524 SD

Wall Cabinet with Spice Rack + 1 Door



- Must be ordered as hinged left or right
- Spice Rack Kit packaged separately for field installation
- Position adjustable shelves prior to installation
- Kit in natural finish solid wood features chrome rails and three fixed shelves

ID
MI

12" DEEP

42"H • 3 shelves

- W1542 SR
- W1842 SR
- W2142 SR

36"H • 2 shelves

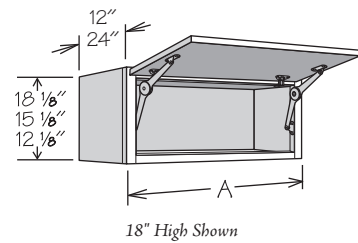
- W1536 SR
- W1836 SR
- W2136 SR

30"H • 2 shelves

- W1530 SR
- W1830 SR
- W2130 SR

42" High Shown

Wall Top Hinge + 1 Door



- Features one pair of factory installed, field adjustable lid stays that supports door securely at any angle up to 105°
- Cabinet can be flipped to open downwards and lid stay can be adjusted to support door
- Specialty Door cabinets (SD) feature Matching Interior standard and require a specialty door selection
- MFD not available on Wall Top Hinge Specialty Door cabinets
- 24" deep cabinets must be securely attached in one of the following combinations: to studs in back wall and both sides OR to studs in back wall, one side and top (e.g. two adjacent cabinets or one adjacent cabinet and a wall)

ID
MI
RD
VDO

18" High Shown

12" DEEP

18"H • no shelf

- WTH3018
- WTH3618
- WTH3018 SD
- WTH3618 SD

15"H • no shelf

- WTH3015
- WTH3615
- WTH3015 SD
- WTH3615 SD

12"H • no shelf

- WTH4212
- WTH4212 SD

24" DEEP

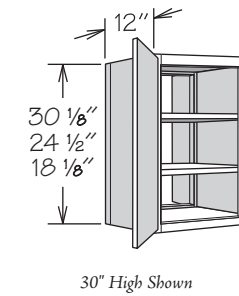
18"H • no shelf

- WTH3018 X 24 DP
- WTH3618 X 24 DP
- WTH3018 X 24 DP SD
- WTH3618 X 24 DP SD

15"H • no shelf

- WTH3015 X 24 DP
- WTH3615 X 24 DP
- WTH3015 X 24 DP SD
- WTH3615 X 24 DP SD

Peninsula Wall Cabinets + 2 Doors



30" High Shown

- Hinged as shown
- Specialty Door cabinets (SD) feature Matching Interior standard and require a specialty door selection

ID
MI
RD
VDO

12" DEEP

30"H • 2 shelves

- PW1230
- PW1530
- PW1830
- PW2430
- PW1230 SD
- PW1530 SD
- PW1830 SD

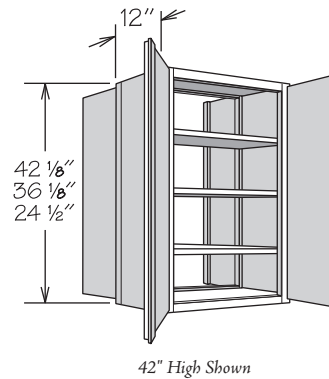
24"H • 1 shelf

- PW1224
- PW1824
- PW1224 SD
- PW1824 SD

18"H • no shelf

- PW1818
- PW1818 SD

Peninsula Wall Cabinets + 4 Doors with Batten



42" High Shown

- Left doors with batten
- Specialty Door cabinets (SD) feature Matching Interior standard and require a specialty door selection

ID
MI
RD
VDO

12" DEEP

42"H • 3 shelves

- PW2442
- PW2442 SD

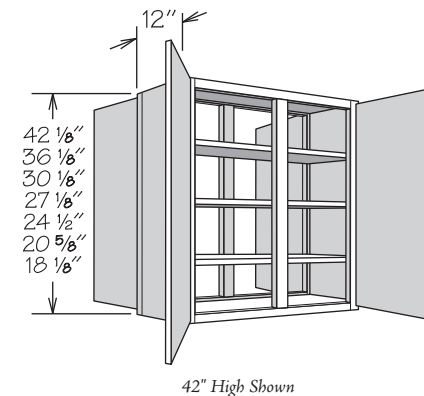
24"H • 1 shelf

- PW2424 1B
- PW2424 1B SD

36"H • 2 shelves

- PW2436
- PW2436 SD

Peninsula Wall Cabinets + 4 Doors



42" High Shown

- Specialty Door cabinets (SD) feature Matching Interior standard and require a specialty door selection

ID
MI
RD
VDO

12" DEEP

42"H • 3 shelves

- PW3042
- PW3642
- PW3042 SD
- PW3642 SD

24"H • 1 shelf

- PW3024
- PW3624
- PW4224
- PW3024 SD
- PW3624 SD
- PW4224 SD

36"H • 2 shelves

- PW3036
- PW3636
- PW3036 SD
- PW3636 SD

21"H • no shelf

- PW3021
- PW3621

30"H • 2 shelves

- PW3030
- PW3630
- PW4230
- PW3030 SD
- PW3630 SD
- PW4230 SD

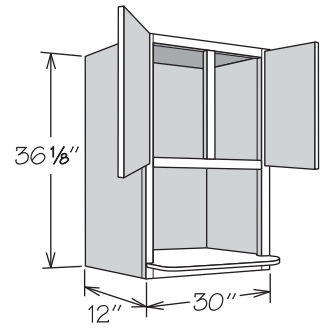
18"H • no shelf

- PW2418
- PW3018
- PW3618
- PW4218
- PW2418 SD
- PW3018 SD
- PW3618 SD
- PW4218 SD

27"H • 1 shelf

- PW3027

Microwave Wall Cabinets + 2 Doors

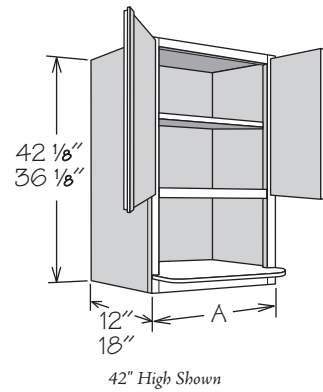


- Cabinet interior and microwave shelf opening finished to match cabinet exterior
- Must be installed between two adjacent cabinets or a cabinet and a wall
- 3/4" plywood microwave shelf included - not field trimmable
- Designed to accommodate countertop style microwave
- Refer to appliance manufacturer's specifications for adequate clearances

RD
VDO

12" DEEP	LOWER FRAME OPENING		
	WIDTH	HEIGHT	DEPTH
WMSC301236	26 3/4"	18 5/8"	17 3/4"

Wall Microwave Cabinets + 2 Doors with Batten

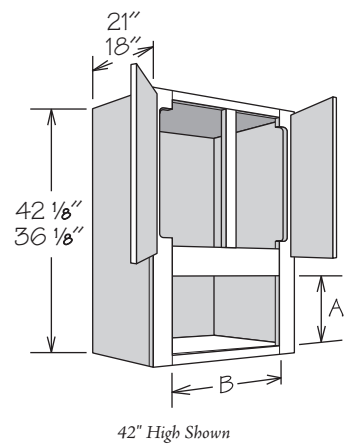


- Left door with batten
- Must be installed between two adjacent cabinets or a cabinet and a wall
- Cabinet interior is finished to match cabinet exterior
- 3/4" plywood microwave shelf included
- Designed to accommodate countertop style microwave
- Refer to appliance manufacturer's specifications for adequate clearances
- WMSC271236 and WMSC271836 not available in Nutmeg and Spice finishes

RD
VDO

12" DEEP	A	LOWER FRAME OPENING		
		WIDTH	HEIGHT	DEPTH
36"H • no shelf				
WMSC271236	27"	23 3/4"	18 5/8"	17 3/4"
WCMSC241236	24"	20 3/4"	15 5/8"	17 3/4"
WCMSC271236	27"	23 3/4"	15 5/8"	17 3/4"
18" DEEP				
42"H • 1 shelf				
WMSC271842	27"	23 3/4"	15 1/4"	23 3/4"
36"H • no shelf				
WMSC271836	27"	23 3/4"	18 5/8"	23 3/4"

Microwave Wall Cabinets + 2 Doors

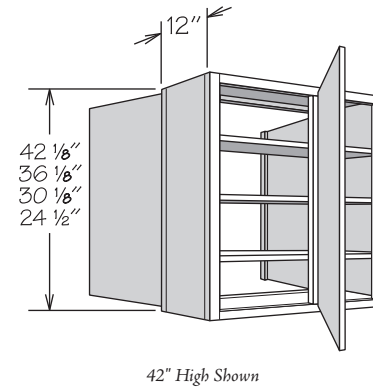


- Must be installed between two cabinets or a cabinet and a wall
- Designed to accommodate microwaves with trim kit
- A cutout exists in the door area where the 3/8" stiles are routed to 1 5/8"
- Refer to appliance manufacturer's specifications for adequate clearances
- Not drilled for adjustable shelf

ID
MI
RD

18" DEEP	A		B	
	ACTUAL	MAX.	ACTUAL	MAX.
42"H • no shelf				
WMC301842	12 1/4"	20"	23 3/4"	28"
36"H • no shelf				
WMC301836	11 3/4"	19 1/2"	23 3/4"	28"
21" DEEP				
42"H • no shelf				
WMC302142	12 1/4"	20"	23 3/4"	28"
36"H • no shelf				
WMC302136	11 3/4"	19 1/2"	23 3/4"	28"

Blind Peninsula Cabinet + 3 Doors with Batten

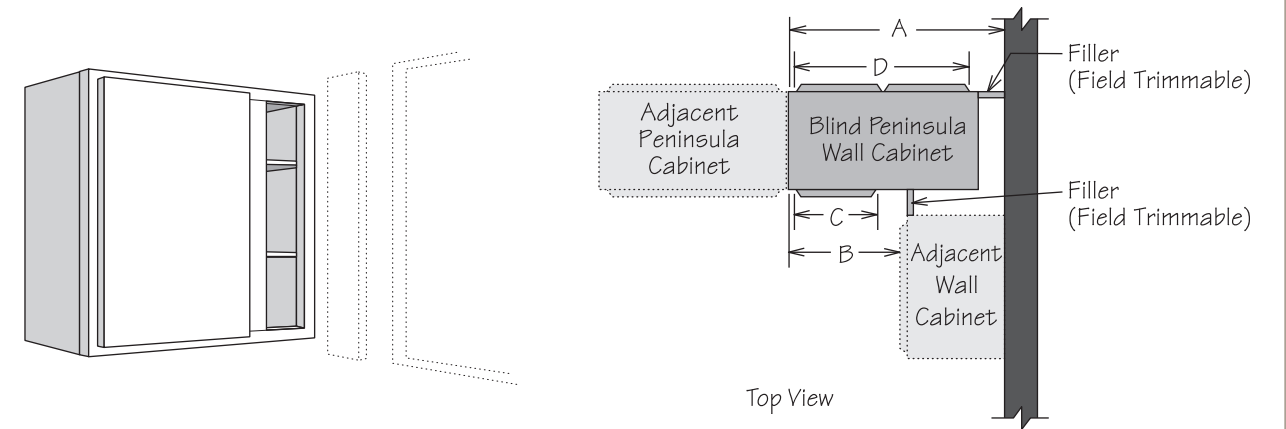


- Left door with batten on peninsula side
- Includes 1/8" panel to cover blind opening (field trim and install)
- Refer to Blind Peninsula Wall Cabinet Installation Chart for specifications
- Must order Universal Fillers separately
- Specialty Door cabinets (SD) feature Matching Interior standard and require a specialty door selection

ID
MI
RD
VDO

12" DEEP	
42"H • 3 shelves	30"H • 2 shelves
BLPW2442 ■	BLPW2430 1B ■
BLPW2442 SD	BLPW2430 1B SD
36"H • 2 shelves	24"H • 1 shelf
BLPW2436 ■	BLPW2424 1B ■
BLPW2436 SD	BLPW2424 1B SD

BLIND PENINSULA WALL CABINET INSTALLATION CHART

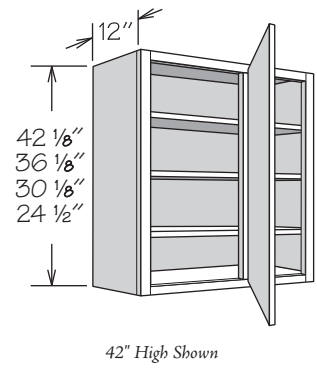


Standard Overlay Door Styles

Wall Space A requirements include optional decorative hardware clearance. 1/4" may be deducted if decorative hardware is not used.

CABINET	ACTUAL CABINET WIDTH	DOOR OPENING C	DOOR C	DOOR OPENING D	DOORS (2) D	WALL SPACE A			EXPOSED FRAME B		FILLER (AT WALL)	
						MIN SPACE	MAX PULL	MAX SPACE	MIN SPACE	MAX SPACE	MIN	MAX
BLPW2424 1B	24"	8 3/4"	DR1224	20 3/4"	DR1224	25 3/8"	1 5/8"	27"	13 3/8"	15"	1 3/8"	3"
BLPW2430 1B	24"	8 3/4"	DR1230	20 3/4"	DR1230	25 3/8"	1 5/8"	27"	13 3/8"	15"	1 3/8"	3"
BLPW2436	24"	8 3/4"	DR1236	20 3/4"	DR1236	25 3/8"	1 5/8"	27"	13 3/8"	15"	1 3/8"	3"
BLPW2442	24"	8 3/4"	DR1242	20 3/4"	DR1242	25 3/8"	1 5/8"	27"	13 3/8"	15"	1 3/8"	3"

Blind Wall Cabinet + 1 Door



- Includes 1/8" panel to cover blind opening (field trim and install)
- Refer to Blind Wall Cabinet Installation Chart for specifications
- Must be ordered as hinged left or right
- Must order Universal Filler separately
- Specialty Door cabinets (SD) feature Matching Interior standard and require a specialty door selection

CFO
ID
MI
RD
VDO

12" DEEP

42"H • 3 shelves

- BLW24/2742
- BLW30/3342
- BLW33/3642
- BLW24/2742 SD
- BLW30/3342 SD
- BLW33/3642 SD

36"H • 2 shelves

- BLW24/2736
- BLW30/3336
- BLW33/3636
- BLW24/2736 SD
- BLW30/3336 SD
- BLW33/3636 SD

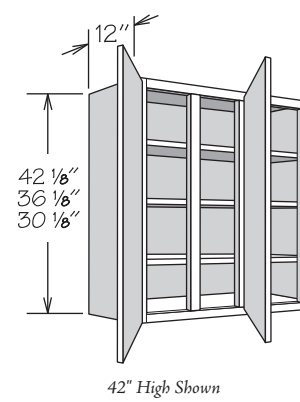
30"H • 2 shelves

- BLW24/2730
- BLW27/3030
- BLW30/3330
- BLW33/3630
- BLW36/3930
- BLW24/2730 SD
- BLW27/3030 SD
- BLW30/3330 SD
- BLW33/3630 SD

24"H • 1 shelf

- BLW24/2724
- BLW27/3024
- BLW30/3324
- BLW33/3624
- BLW24/2724 SD
- BLW27/3024 SD
- BLW30/3324 SD
- BLW33/3624 SD

Blind Wall Cabinet + 2 Doors



- Includes 1/8" panel to cover blind opening (field trim and install)
- Refer to Blind Wall Cabinet Installation Chart for specifications
- Must order Universal Filler separately
- Specialty Door cabinets (SD) feature Matching Interior standard and require a specialty door selection

CFO
MI
RD
VDO

12" DEEP

42"H • 3 shelves

- BLW39/4242
- BLW42/4542
- BLW39/4542 SD
- BLW42/4242 SD

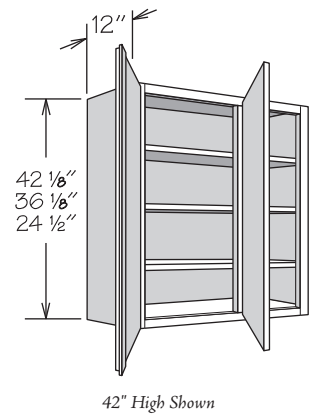
36"H • 2 shelves

- BLW39/4236
- BLW42/4536
- BLW39/4236 SD
- BLW42/4536 SD

30"H • 2 shelves

- BLW39/4230
- BLW42/4530
- BLW45/4830
- BLW48/5130
- BLW39/4230 SD
- BLW42/4530 SD
- BLW45/4830 SD
- BLW48/5130 SD

Blind Wall Cabinet + 2 Doors with Batten



- Left door with batten
- Includes 1/8" panel to cover blind opening (field trim and install)
- Refer to Blind Wall Cabinet Installation Chart for specifications
- Must order Universal Filler separately
- Specialty Door cabinets (SD) feature Matching Interior standard and require a specialty door selection

CFO
ID
MI
RD
VDO

12" DEEP

42"H • 3 shelves

- BLW36/3942
- BLW36/3942 SD

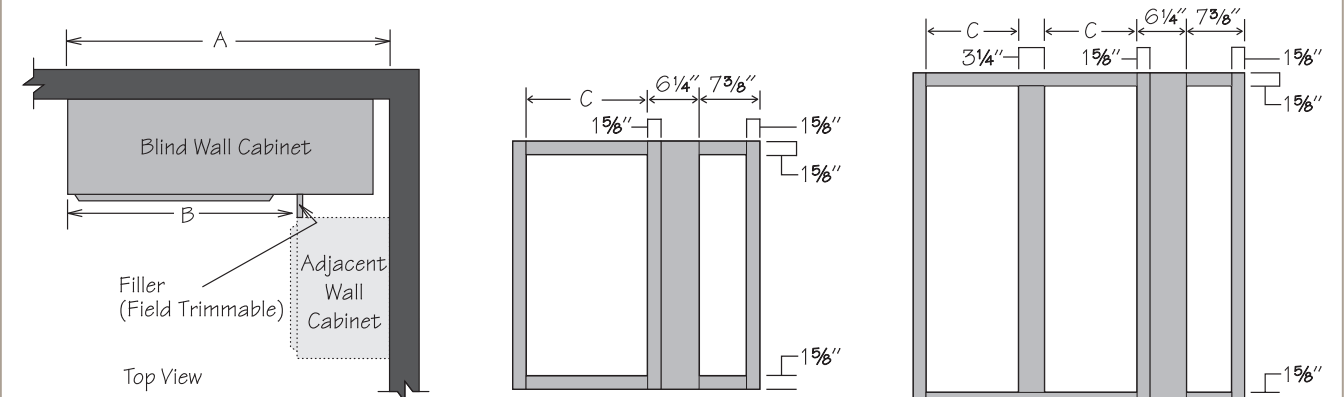
24"H • 1 shelf

- BLW36/3924 1B
- BLW36/3924 1B SD

36"H • 2 shelves

- BLW36/3936
- BLW36/3936 SD

BLIND WALL CABINET INSTALLATION CHART

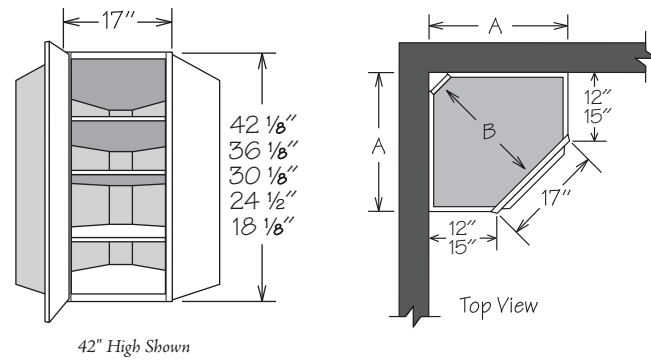


Standard Overlay Door Styles

Wall Space A requirements include optional decorative hardware clearance. 1/4" may be deducted if decorative hardware is not used.

CABINET	ACTUAL CABINET WIDTH	C DOOR OPENING	DOOR(S)	WALL SPACE A			EXPOSED FRAME B	
				MINIMUM SPACE	MAXIMUM PULL	MAXIMUM SPACE	MINIMUM SPACE	MAXIMUM SPACE
BLW24/27	24"	8 3/4"	DR12__	25 3/8"	2 5/8"	28"	13 3/8"	16"
BLW27/30	27"	11 3/4"	DR15__	28 3/8"	2 5/8"	31"	16 3/8"	19"
BLW30/33	30"	14 3/4"	DR18__	31 3/8"	2 5/8"	34"	19 3/8"	22"
BLW33/36	33"	17 3/4"	DR21__	34 3/8"	2 5/8"	37"	22 3/8"	25"
BLW36/3930	36"	20 3/4"	DR2430	37 3/8"	2 5/8"	40"	25 3/8"	28"
BLW42/45	42"	11 3/4"	DR15__(2)	43 3/8"	2 5/8"	46"	31 3/8"	34"
BLW45/48	45"	13 1/4"	DR16__(2)	46 3/8"	2 5/8"	49"	34 3/8"	37"
BLW48/51	48"	14 3/4"	DR18__(2)	49 3/8"	2 5/8"	52"	37 3/8"	40"

Corner Wall Cabinets



- Door opening is 11 3/4" wide
- Features a DR15_ door
- Must be ordered as hinged left or right
- Specialty Door cabinets (SD) feature Matching Interior standard and require a specialty door selection
- 24" high cabinet shelf is adjustable not removeable

MI ■
VDO ■

	A	B
12" Deep	24"	21 1/2"
15" Deep	27"	25 3/4"

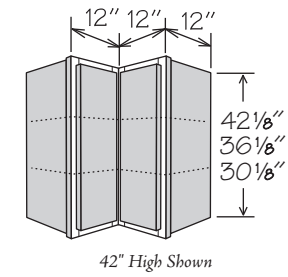
12" DEEP

42"H • 3 shelves	36"H • 2 shelves	30"H • 2 shelves	24"H • 1 shelf	18"H • no shelf
CW2442 ■ CW2442 SD	CW2436 ■ CW2436 SD	CW2430 ■ CW2430 SD	CW2424 ■ CW2424 SD	CW2418 ■ CW2418 SD

15" DEEP

42"H • 3 shelves	36"H • 2 shelves	30"H • 2 shelves	24"H • 1 shelf	18"H • no shelf
CW2742 ■ CW2742 SD	CW2736 ■ CW2736 SD	CW2730 ■ CW2730 SD	CW2724 ■ CW2724 SD	CW2718 ■ CW2718 SD

Wall Easy Reach



- Must be ordered as hinged left or right
- WER2436 and WER2442 not available in Nutmeg and Spice finishes
- Doors open 170°

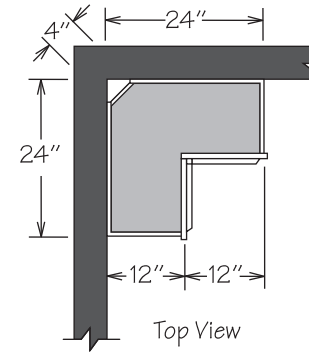
MI ■

12" DEEP

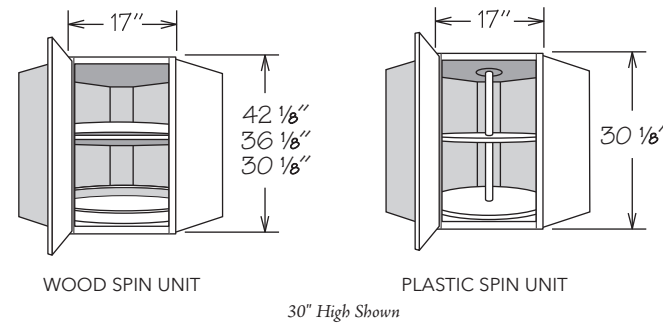
42"H • 3 shelves
WER2442

36"H • 2 shelves
WER2436

30"H • 2 shelves
WER2430



Corner Wall Cabinets • with Spin Units



- Must be ordered as hinged left or right
- Door opening is 11 3/4" wide
- Features a DR15_ door
- Wood Spin Units feature:
 - » Natural finish with 1" lip and are 18" in diameter
 - » One fixed wood spin unit mounted on cabinet floor and all other spin units are attached to 3/4" adjustable shelf
- Plastic Spin Units feature:
 - » Two 18" diameter full round spin shelves with pole (top shelf adjustable)
 - » Shelves are white high strength plastic
- Specialty Door cabinets (SD) feature Matching Interior standard and require a specialty door selection

MI ■
VDO ■

WOOD SPIN UNIT

42"H • 3 spin units
CWS2442 WD ■
CWS2442 WD SD

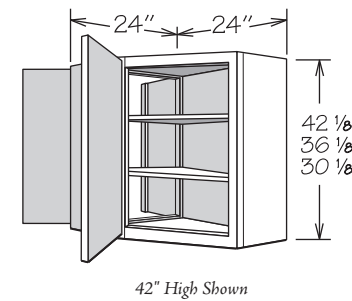
36"H • 2 spin units
CWS2436 WD ■
CWS2436 WD SD

30"H • 2 spin units
CWS2430 WD ■
CWS2430 WD SD

PLASTIC SPIN UNIT

30"H • 2 spin units
CWS2430 ■
CWS2430 SD

Peninsula Corner Wall with Batten



- Must be ordered as hinged left or right
- Left door with batten on peninsula side
- Recommend attachment to soffit or ceiling and to all adjacent cabinets
- Glass Shelf Kit not available
- Specialty Door cabinets (SD) feature Matching Interior standard and require a specialty door selection

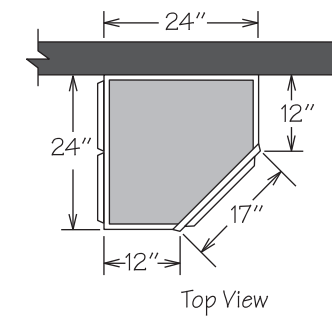
MI ■
VDO ■

12" DEEP

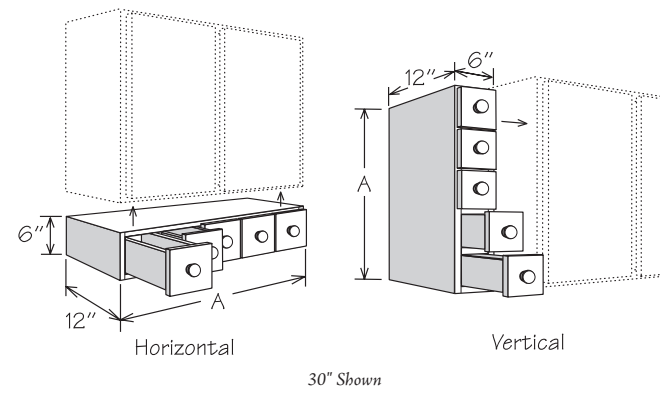
42"H • 3 shelves
PWCW2442 ■
PWCW2442 SD

30"H • 2 shelves
PWCW2430 1B ■
PWCW2430 1B SD

36"H • 2 shelves
PWCW2436 ■
PWCW2436 SD



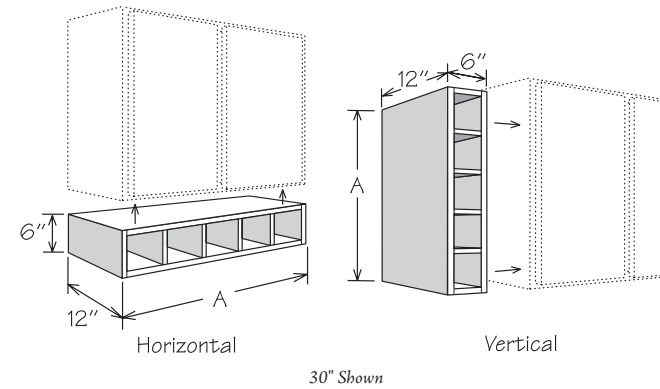
Spice Drawer Cabinet



- Designed for horizontal or vertical installation
- Vertical installation may require the use of fillers and/or molding which must be ordered separately
- All door styles feature veneered engineered wood
- Flush sides with no face frame or 1/4" reveals
- All wood drawer body with dovetail construction
- Wood door styles feature matching wood knobs
- Thermofoil door styles feature white porcelain knobs and painted drawer fronts

12" DEEP	A	NUMBER OF DRAWERS
36"H SDC36	36"	6
30"H SDC30	30"	5
24"H SDC24	24"	4
18"H SDC18	18"	3

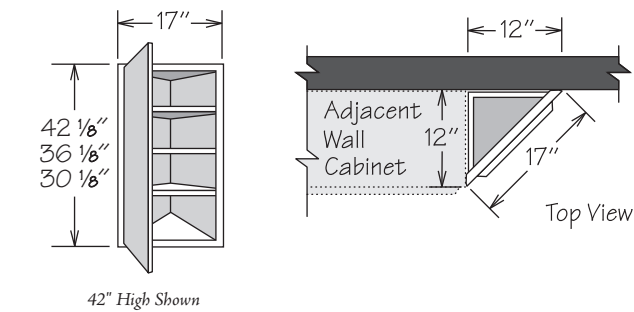
Storage Cube



- Designed for horizontal or vertical installation
- Vertical installation may require the use of fillers and/or molding which must be ordered separately
- Opening size is 5" wide x 4 1/2" high (horizontal) which will accommodate most wine bottles and various other storage needs
- All door styles feature 3/4" veneered engineered wood finished to match cabinet exterior
- Flush sides with no face frame or 1/4" reveals
- Interior finished to match cabinet exterior
- Cannot be retrofitted with Spice Drawer Cabinet drawers

12" DEEP	A	NUMBER OF OPENINGS
42"H SC42	42"	7
36"H SC36	36"	6
30"H SC30	30"	5

Wall End Angle + 1 Door

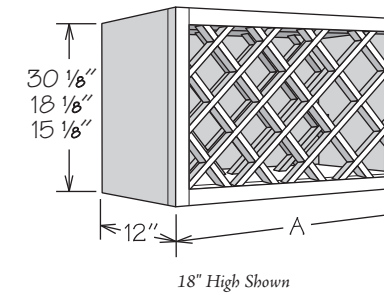


- Requires 12" x 12" space
- Features a DR15_ door
- Specialty Door cabinets (SD) feature Matching Interior standard and require a specialty door selection

MI ■
VDO ■

12" DEEP	A	NUMBER OF SHELVES
42"H • 3 shelves WEA1242 ■ WEA1242 SD	42"	3
30"H • 2 shelves WEA1230 ■ WEA1230 SD	30"	2
36"H • 2 shelves WEA1236 ■ WEA1236 SD	36"	2

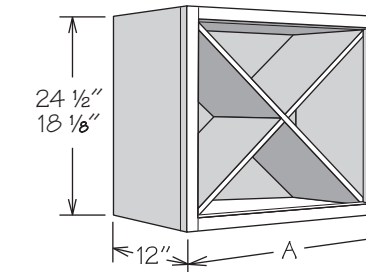
Wine Rack Cabinet



- Interior finished to match cabinet exterior
- Wine bottle opening is 4" x 4"

12" DEEP	A	NUMBER OF BOTTLES
30"H WRC1530 WRC1830	15" 18"	10 11
18"H WRC3018	30"	11
15"H WRC3015 WRC3615	30" 36"	10 13

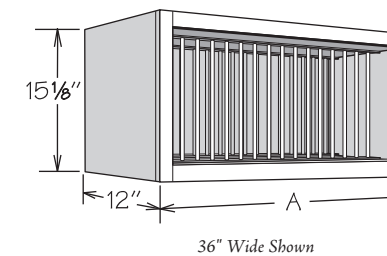
Wine Storage Cabinet



- Interior finished to match cabinet exterior
- Standard cabinet sides are 1/2" engineered wood with TuffTech finish
- All door styles feature 3/4" plywood partitions
- Cabinet must be installed between two adjacent cabinets or one cabinet and wall
- Accent molding recommended - order separately

12" DEEP	A	NUMBER OF BOTTLES
24"H WSC2424	24"	30
18"H WRC3018	18 1/2"	12

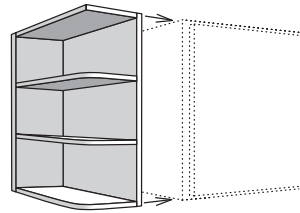
Wall China Cabinet



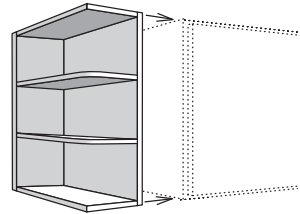
- Interior finished to match cabinet exterior
- Use with 11 1/2" diameter (or smaller) dinner plates
- Spindles can be removed for cleaning
- Spindles shipped uninstalled
- Accent molding recommended - order separately
- Use of accent molding will reduce available plate diameter to 11"

12" DEEP	A	NUMBER OF PLATES
WCC2415	24"	9
WCC3015	30"	12
WCC3615	36"	15

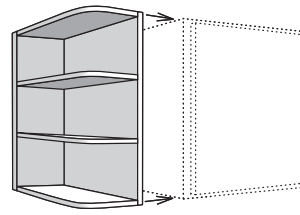
Shelf End Wall



SQUARE TOP, ROUND BOTTOM (SQT)



SQUARE TOP & BOTTOM (SQTb)



ROUND TOP & BOTTOM (SEW)

- Interior finished to match cabinet exterior
- Features 1/2" veneered engineered wood back and side
- Top, bottom, and shelves are 3/4" veneered engineered wood
- Rounded shelves feature a 3" radius
- 1 1/8" screw recommended from inside of adjacent cabinet for installation

12" DEEP

42"H • 3 shelves

- SEW42L SQT
- SEW42R SQT
- SEW42 SQTb
- SEW42

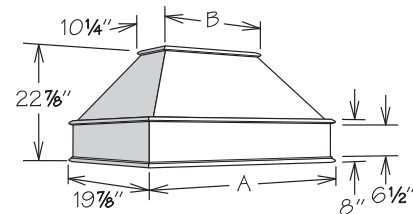
36"H • 2 shelves

- SEW36L SQT
- SEW36R SQT
- SEW36 SQTb
- SEW36

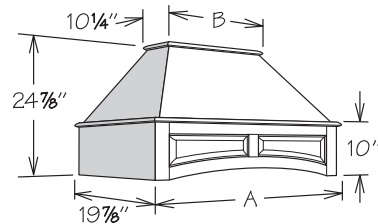
30"H • 2 shelves

- SEW30L SQT
- SEW30R SQT
- SEW30 SQTb
- SEW30

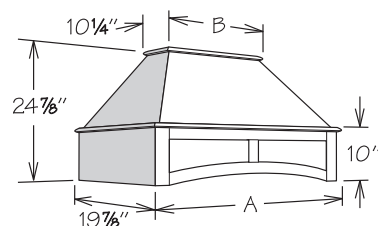
Range Hood



STRAIGHT VALANCE _SV



RAISED PANEL ARCHED VALANCE _AV

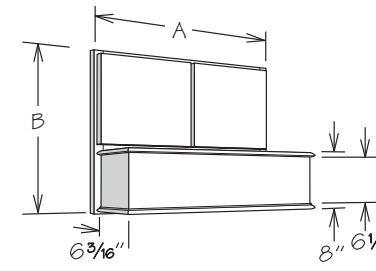


FLAT PANEL ARCHED VALANCE _FV

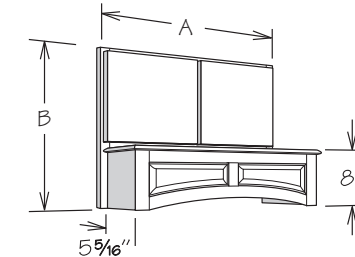
- Wall mounted installation only
- Silver metallic liner included - liner is specific to range hood and blower ordered
 - » If no blower is ordered, RHLINER_A or RHLINER_S will be ordered
- May be accessorized with Range Hood Chimney - order separately
- Thermofoil door styles are painted to match finish

	A	B
Straight Valance		
RH3624 SV	37 3/4"	18 3/4"
RH4224 SV	43 3/4"	24 3/4"
RH4824 SV	49 3/4"	30 3/4"
Raised Panel Arched Valance		
RH3624 AV	37 3/4"	18 3/4"
RH4224 AV	43 3/4"	24 3/4"
RH4824 AV	49 3/4"	30 3/4"
Flat Panel Arched Valance		
RH3624 FV	37 3/4"	18 3/4"
RH4224 FV	43 3/4"	24 3/4"
RH4824 FV	49 3/4"	30 3/4"

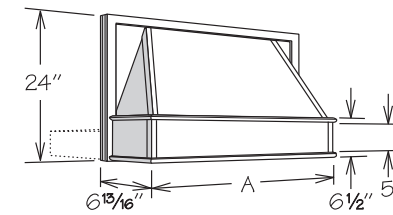
Wall Range Hood



STRAIGHT VALANCE _SV



ARCHED VALANCE _AV

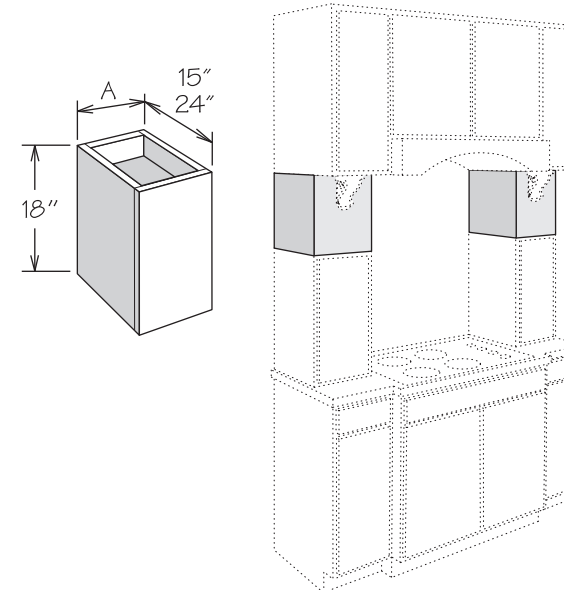


TAPERED RANGE HOOD _T

- Must be installed between two wall cabinets
- Wall Range Hood doors will match door style ordered
- Doors open to allow for duct work installation and wiring, straight and arched
- Silver metallic liner included
- Order blower separately - not for use with RHVENT 960
- Thermofoil door styles are painted to match finish

	A	B	DOORS
Straight Valance			
WRH3024 SV	30"	24"	(2) DR1515
WRH3624 SV	36"	24"	(2) DR1815
WRH3027 SV	30"	27"	(2) DR1518
WRH3627 SV	36"	27"	(2) DR1818
WRH3030 SV	30"	30"	(2) DR1521
WRH3630 SV	36"	30"	(2) DR1821
Arched Valance			
WRH3024 AV	30"	24"	(2) DR1515
WRH3624 AV	36"	24"	(2) DR1815
WRH3027 AV	30"	27"	(2) DR1518
WRH3627 AV	36"	27"	(2) DR1818
WRH3030 AV	30"	30"	(2) DR1521
WRH3630 AV	36"	30"	(2) DR1821
Tapered Range Hood			
RH3024 T	30"	-	-
RH3624 T	36"	-	-

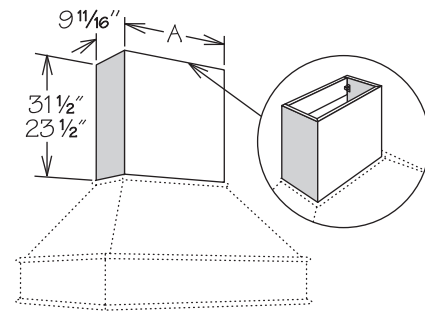
Plain Box Filler



- Veneered engineered wood
- Features 1/4" reveal
- Trimmable in height to 14 1/8" tall
- Reversible for left or right installation

	A	15" DEEP	A
24" DEEP			
WPB91824	9"	WPB91815	9"
WPB121824	12"	WPB121815	12"

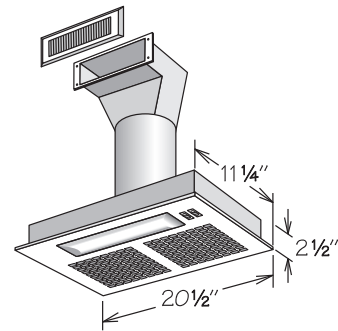
Range Hood Chimney



- Field trimmable in height
- All door styles feature 3/4" solid wood finished to match cabinet exterior
- Features two chimney mounting blocks with metal fasteners
- For use with Straight Valance, Raised Panel Arched Valance, or Flat Panel Arched Valance Range Hoods
- Thermofoil door styles are painted to match finish

31 1/2" HIGH	A	23 1/2" HIGH	A
RHC3631	17 3/8"	RHC3623	17 3/8"
RHC4231	23 3/8"	RHC4223	23 3/8"
RHC4831	29 3/8"	RHC4823	29 3/8"

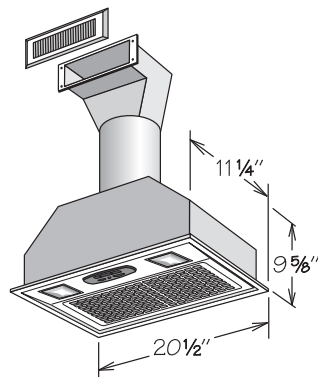
Range Hood Blower + 250 CFM Recirculating



- Designed for recirculating installation where exhaust is vented back into kitchen
- Includes ductwork, metal soffit air grille, charcoal filter(s), and clips
- Durable, powder coated silver finish
- Features a two-speed motor and enclosed light controlled by rocker switches
- 6 3/4" fan provides 250 CFM air delivery and sound level of 8.0 sones
- Includes 2 light bulbs
- Installation and care instructions included
- 3" x 10" cutout required for metal grille
- Metal grille measures 5 5/8" x 11 1/4"

RHVENT 250R

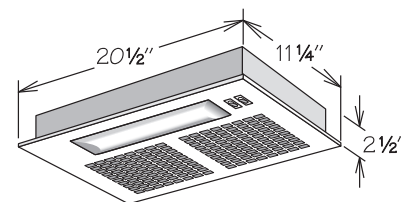
Range Hood Blower + 390 CFM Recirculating



- Designed for recirculating installation where exhaust is vented back into kitchen
- Includes ductwork, metal soffit air grille, charcoal filter(s), and clips
- Durable, powder coated silver finish
- Features a multi-speed fan and enclosed light controlled by separate switches
- Centrifugal blower provides 390 CFM air delivery and sound level of 5.5 sones
- Includes 2 light bulbs
- Installation and care instructions included
- 3" x 10" cutout required for metal grille
- Metal grille measures 5 5/8" x 11 1/4"

RHVENT 390R

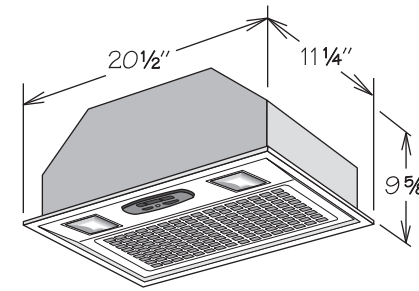
Range Hood Blower + 250 CFM Vented



- Designed for vented installation where exhaust is vented to exterior of home
- Durable, powder coated silver finish
- Features a two-speed motor and enclosed light controlled by rocker switches
- 6 3/4" fan provides 250 CFM air delivery and sound level of 8.0 sones
- Includes one-piece washable aluminum mesh filter
- Light bulbs not included
- Requires 7" round duct for venting to exterior (not included)
- Installation and care instructions included

RHVENT 250

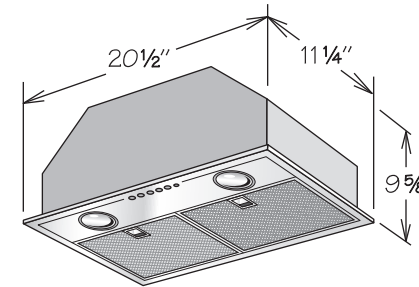
Range Hood Blower + 390 CFM Vented



- Designed for vented installation where exhaust is vented to exterior of home
- Durable, powder coated silver finish
- Features a multi-speed fan and enclosed light controlled by separate switches
- Centrifugal blower provides 390 CFM air delivery and sound level of 5.5 sones
- Includes one-piece washable aluminum mesh filter
- Light bulbs not included
- Requires 6" round duct for venting to exterior (not included)
- Installation and care instructions included

RHVENT 390

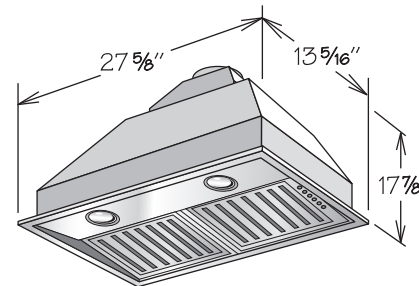
Range Hood Blower + 500 CFM Vented



- Designed for vented installation where exhaust is vented to exterior of home
- Durable, stainless steel with brushed finish
- Features a multi-speed fan and enclosed light controlled by separate switches
- Centrifugal blower provides 500 CFM air delivery and sound level of 9.0 sones
- Light bulbs not included
- Includes two washable filters with stainless steel covers
- Requires 6" round duct for venting to exterior (not included)
- Installation and care instructions included

RHVENT 500

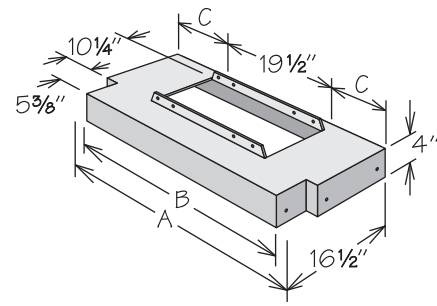
Range Hood Blower + 960 CFM Vented



- Designed for vented installation where exhaust is vented to exterior of home
- Durable stainless steel with brushed finish
- Features a 4-speed push-button control to offer greater CFM flexibility; 960 CFM, 660 CFM, 480 CFM, and 300 CFM
- Centrifugal blower provides 960 CFM air delivery and sound level of 5.1 sones on highest speed
- Includes two 4-watt 12V MR16 LED bulbs - daylight
- Stainless baffle filters are easily removed for cleaning (dishwasher safe)
- 10 minute delay off timer
- Requires 7" round duct for venting to exterior (not included)
- Installation and care instructions included
- Not designed for use with the following:
 - » Tapered Range Hoods
 - » Straight Valance Wall Range Hoods
 - » Arched Valance Wall Range Hoods

RHVENT 960

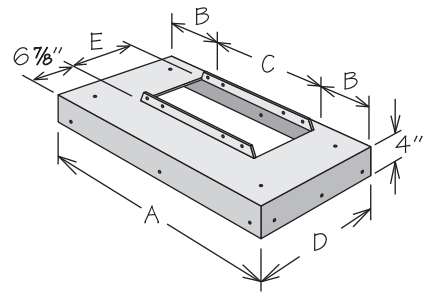
Tapered Hood Liner



- Liner is silver metallic powder coated metal
- For use with RH__T, WRH__SV, and WRH__AV (liner included with range hood)

	A	B	C
RHLINER 30	29 15/16"	26 3/16"	5 7/32"
RHLINER 36	35 15/16"	32 3/16"	8 7/32"

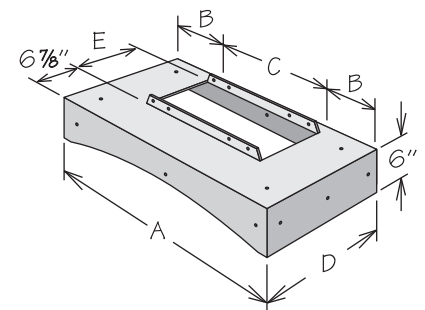
Straight Valance Hood Liner



- Liner finish is silver metallic powder-coated material
- For use with Straight Valance Range Hoods (RH__SV)
- RHLINER__S SL1 must be used with RHVENT 960 blower
- RHLINER__S for use with all blowers except RHVENT 960
- One liner included with range hood (liner is specific to range hood and blower ordered)

	A	B	C	D	E
RHLINER 36S	34 11/32"	7 1/16"	19 1/2"	18 1/4"	10 1/4"
RHLINER 42S	40 11/32"	10 7/16"	19 1/2"	18 1/4"	10 1/4"
RHLINER 48S	46 11/32"	13 7/16"	19 1/2"	18 1/4"	10 1/4"
RHLINER 36S SL1	34 11/32"	3 3/4"	26 13/16"	18 3/16"	12 7/16"
RHLINER 42S SL1	40 11/32"	6 3/4"	26 13/16"	18 3/16"	12 7/16"
RHLINER 48S SL1	46 11/32"	9 3/4"	26 13/16"	18 3/16"	12 7/16"

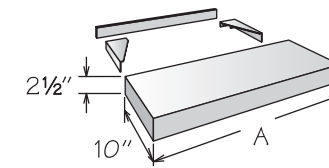
Arched Valance Hood Liner



- Liner finish is silver metallic powder-coated material
- Liner features front arch to correspond with the Raised or Flat Valance Range Hood
- For use with Raised or Flat Valance Range Hoods (RH__AV and RH__FV)
- RHLINER__A SL1 must be used with RHVENT 960 blower
- RHLINER__A for use with all blowers except RHVENT 960
- One liner included with range hood (liner is specific to range hood and blower ordered)

	A	B	C	D	E
RHLINER 36A	34 17/32"	7 17/32"	19 1/2"	18 1/4"	10 1/4"
RHLINER 42A	40 17/32"	10 17/32"	19 1/2"	18 1/4"	10 1/4"
RHLINER 48A	46 17/32"	13 17/32"	19 1/2"	18 1/4"	10 1/4"
RHLINER 36A SL1	34 17/32"	3 7/8"	26 13/16"	18 1/4"	12 7/16"
RHLINER 42A SL1	40 17/32"	6 7/8"	26 13/16"	18 1/4"	12 7/16"
RHLINER 48A SL1	46 17/32"	9 7/8"	26 13/16"	18 1/4"	12 7/16"

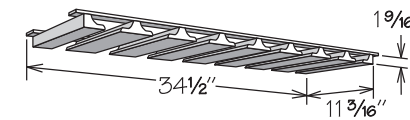
Floating Shelf



- Not trimmable
- Finished on all sides to match cabinet exterior
- Features veneered engineered wood top and bottom and solid wood front and sides
- Must be secured to studs in wall
- Installation instructions, mounting brackets, and screws included

10" DEEP	A	MAX. LOAD
FLSH2410	24"	30 lbs.
FLSH3010	30"	37 lbs.
FLSH3610	36"	45 lbs.
FLSH4210	42"	52 lbs.
FLSH4810	48"	60 lbs.

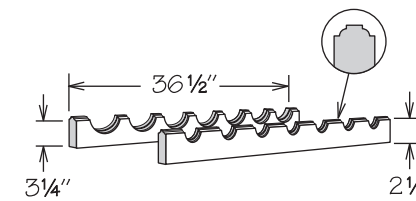
Stem Glass Holder



- Field trimmable to install below 18", 24", 30", or 36" wide wall cabinet
- All door styles feature solid wood finished to match cabinet exterior
- Maximum stem glass base is 3 1/2" in diameter
- Not sized to fit modified depth cabinets

SGH36U

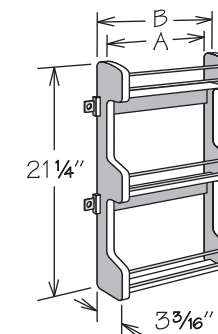
Wine Rack



- Field trimmable to 24" (five bottles) or 30" (six bottles)
- All door styles feature solid wood finished to match cabinet exterior

WR36

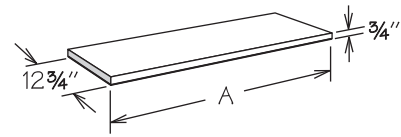
Spice Rack Kit



- Field installation accessory
- For wall cabinets 30" or higher
- Position cabinet adjustable shelves prior to installation
- Natural finish solid wood with chrome rails
- Three fixed shelves
- SRK15 mounts to 15" wide door
- SRK18 mounts to 18" wide door
- SRK21 mounts to 21" wide door

	A	B
SRK15	9 1/2"	10 1/2"
SRK18	12 1/2"	13 1/2"
SRK21	15 1/2"	16 1/2"

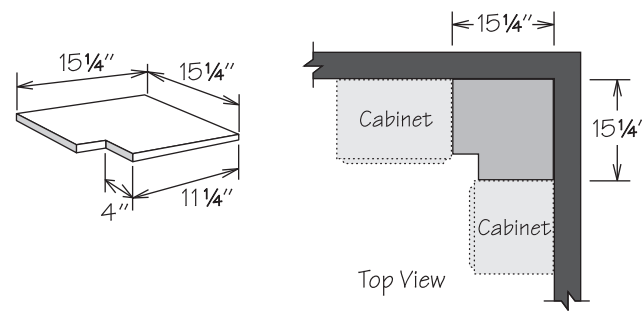
Finished Shelf



- Veneered engineered wood, edge banded all sides
- Field trimmable
- Top and bottom of shelf finished to match cabinet exterior

	A
FS4812	48 1/4"
FS6012	60 1/4"
FS7212	72 1/4"

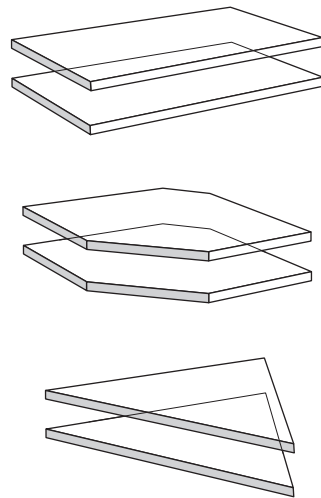
Blind Corner Closure



- Features 1/2" engineered wood finished on both sides
- Field trimmable

BLC1515

Glass Shelf Kit NEW | SIZES



- Glass Shelf Kit includes two 1/4" high-strength tempered glass shelves
- Kit does not include shelf rests
- Refer to individual SKU box for number of shelves required and/or available
- GSK12 - GSK36 are 10 1/4" deep
- GSK12-15 - GSK36-15 are 13 1/4" deep
- Tempered glass cannot be field trimmed
- Glass Shelf Kits 12" - 24" wide have a 15 lb. per square foot load rating
- Glass Shelf Kits 27" - 36" wide have a 5 lb. per square foot load rating

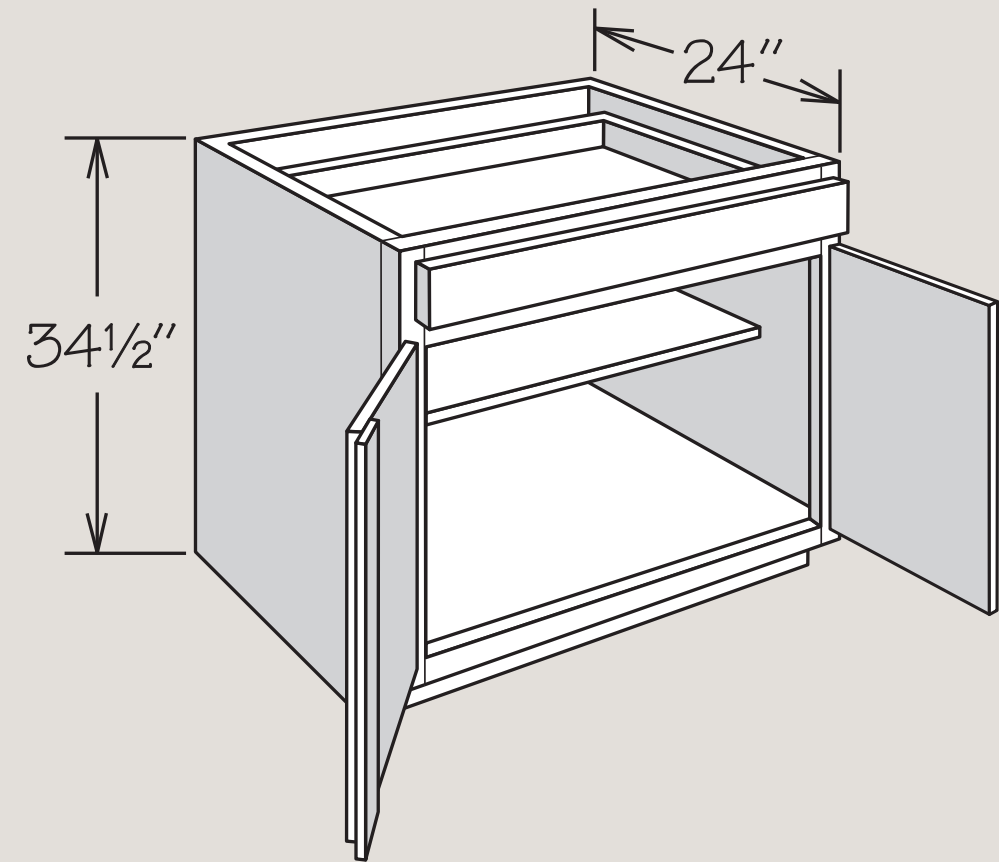
12" DEEP

- GSK12
- GSK15
- GSK18
- GSK21
- GSK24
- GSK27
- GSK30
- GSK33
- GSK36
- GSKCW24
- GSKWEA12

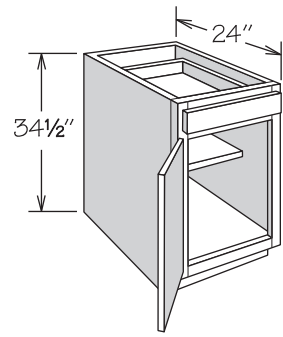
15" DEEP

- GSK12-15
- GSK15-15
- GSK18-15
- GSK21-15
- GSK24-15
- GSK27-15
- GSK30-15
- GSK33-15
- GSK36-15
- GSKCW27

BASE CABINETS



Base Cabinet + 1 Door and 1 Drawer NEW | OPTION



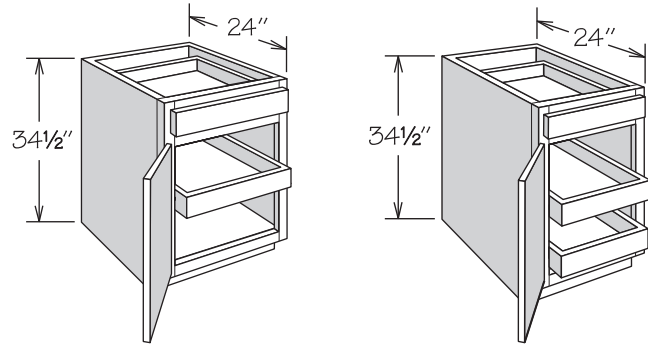
- Half-depth adjustable shelf
- Door is hinged left and can be reversed in the field

CFO
FDS
IF
RD
RTK

1 SHELF

- B12
- B15
- B18
- B21
- B24

Base Cabinet + 1 Door, 1 Drawer and Sliding Shelves NEW | OPTION



- Engineered wood sliding shelves with solid hardwood front, MDF bottom, and side-mounted drawer glides
- Door is hinged left and can be reversed in the field

RD
RTK
VTD

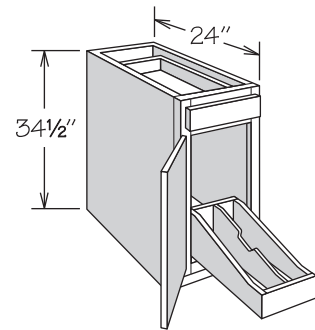
1 SLIDING SHELF

- B12 SS1
- B15 SS1
- B18 SS1
- B21 SS1
- B24 SS1

2 SLIDING SHELVES

- B12 SS2
- B15 SS2
- B18 SS2
- B21 SS2
- B24 SS2

Base Cabinet + 1 Door, 1 Drawer and Roll-Out Tray Divider



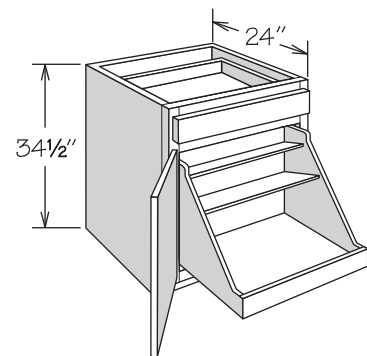
- Roll-Out Tray Divider in natural finish solid wood and wood veneer with dovetail construction and full-extension drawer glides
- Partitions are field installed
- No shelf
- Door is hinged left and can be reversed in the field

RTK

ROLL-OUT TRAY DIVIDER

- B12 FAROTD
- B15 FAROTD

Base Cabinet + 1 Door, 1 Drawer and Pot & Pan Organizer NEW | OPTION



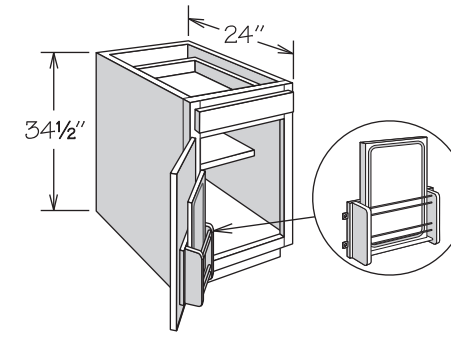
- Organizer in natural finish solid wood and wood veneer with dovetail construction and full-extension drawer glides
- Top shelf measures 6 3/16" deep
- Middle shelf measures 9 3/4" deep
- Door is hinged left and can be reversed in the field

IF
RTK
VTD

BASE POT & PAN ORGANIZER

- B24 FABPPO

Base Cabinet + 1 Door, 1 Drawer and Door Kits



CUTTING BOARD DOOR RACK

- Half-depth adjustable shelf
- Kits packaged separately for field installation
- Cannot be used with sliding shelves
- Plastic Bag Door Storage Kit:
 - » Natural finish solid wood and wood veneer
 - » Removable white plastic tray is NOT dishwasher safe
- Cutting Board Door Rack Kit:
 - » Natural finish solid wood features chrome rails
 - » Solid wood cutting board is NOT dishwasher safe
 - » Cutting board measures 15 1/16" x 10 3/16" x 1 3/16"
- Door is hinged left and can be reversed in the field

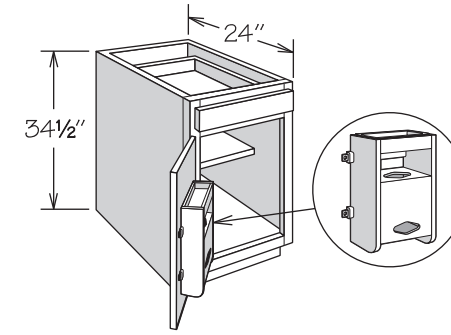
RTK

CUTTING BOARD DOOR RACK KIT

- B18 CDBR

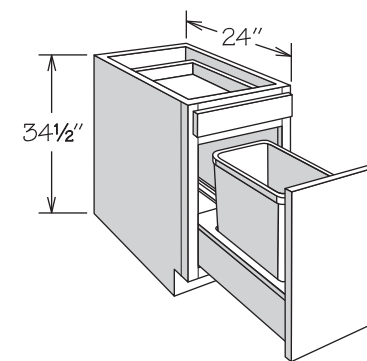
PLASTIC BAG DOOR STORAGE KIT

- B15 PBDSU
- B18 PBDSU



PLASTIC BAG DOOR STORAGE

Base Cabinet + 1 Drawer and Door with Wastebasket Pull-Out



1 WASTEBASKET

- Wastebasket rests in a natural finish wood frame
- Wastebasket pull-out features heavy-duty, full-extension, 132-pound rated glides
- BWBB15 features one silver plastic 35-quart capacity bin
- BWBB15-2 features two silver plastic 27-quart capacity bins
- BWBB18-2 and BWBB21-2 feature two silver plastic 35-quart capacity bins
- Decorative hardware strongly recommended

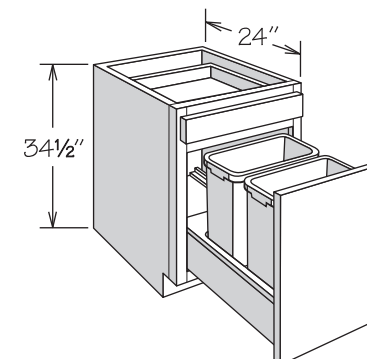
IF
RTK

1 WASTEBASKET

- BWBB15

2 WASTEBASKETS

- BWBB15-2
- BWBB18-2
- BWBB21-2



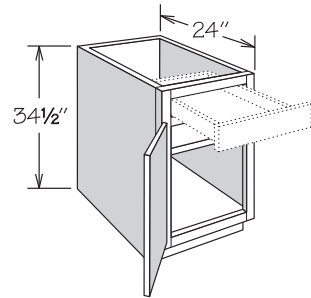
2 WASTEBASKETS

Base Cabinets with Drawer Accessories

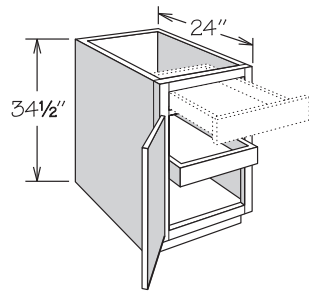
NEW | OPTION

1 Select a base cabinet configuration below. Example: B15 SS2 (Base Cabinet with Two Sliding Shelves).

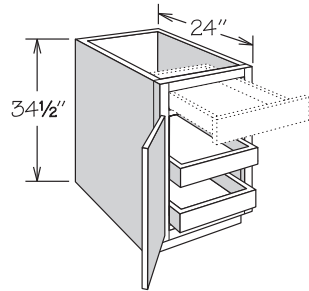
FDS ■
RTK



1 SHELF



1 SLIDING SHELF



2 SLIDING SHELVES

1 SHELF

- B15 * ■
- B18 * ■
- B21 * ■
- B24 * ■
- B24 1B * ■

1 SLIDING SHELF

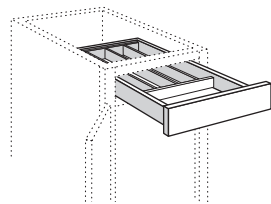
- B15 SS1 *
- B18 SS1 *
- B21 SS1 *
- B24 SS1 *
- B24 1B SS1 *

2 SLIDING SHELVES

- B15 SS2 *
- B18 SS2 *
- B21 SS2 *
- B24 SS2 *
- B24 1B SS2 *

2 Choose a factory installed base drawer accessory below. Example: Wood Tiered Cutlery Divider (WTCD).

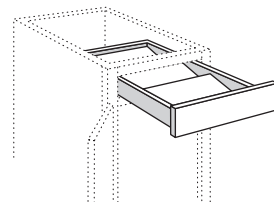
Cutlery Divider + CD



WIDTH	SECTIONS
15"	3
18"	4
21"	5
24"	5

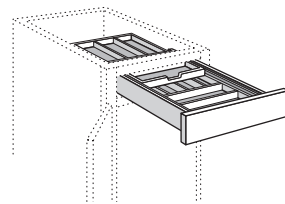
- Solid hardwood and plywood cutlery divider in natural finish
- Features solid hardwood dovetail drawer in natural finish

Spice Drawer Insert + SDI



- Solid hardwood and plywood spice drawer insert in natural finish
- Accommodates most spice containers (not included)
- Features solid hardwood dovetail drawer in natural finish

Wood Tiered Cutlery Divider + WTCD



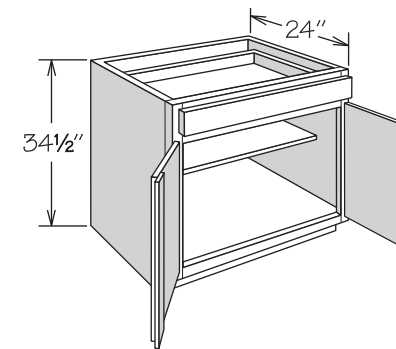
WIDTH	UPPER SECTION	LOWER SECTION
15"	5	5
18"	5	6
21"	6	7
24"	7	7

- Double-tiered cutlery divider slides independently from drawer
- Solid hardwood and plywood double-tiered cutlery divider in natural finish
- Features solid hardwood dovetail drawer in natural finish

3 Replace the asterisk (*) with the code for the drawer accessory to order as a factory installed accessory. Example: B15 SS2 WTCD.

Base Cabinet + 2 Doors with Batten and 1 Drawer

NEW | OPTION



- Left door with batten
- Half-depth adjustable shelf
- Center support for shelf provided for cabinets 30" or wider

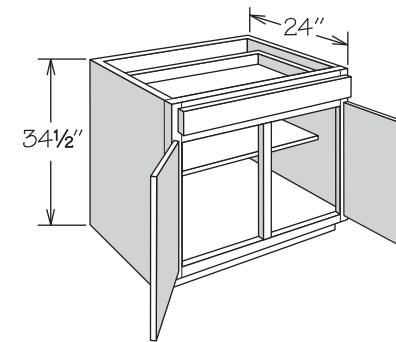
CFO
FDS
IF
RD
RTK

1 SHELF

- B24 1B
- B30 1B
- B33 1B
- B36 1B 1TD

Base Cabinet + 2 Doors and 1 Drawer

NEW | OPTION



- Half-depth adjustable shelf
- Center support for shelf provided

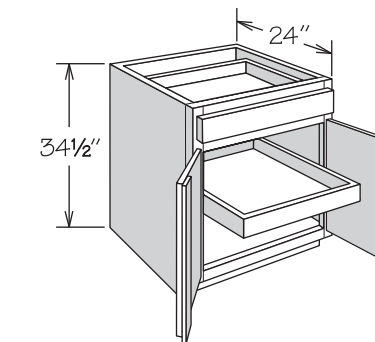
CFO
FDS
IF
RD
RTK

1 SHELF

- B27
- B30
- B33
- B36 1TD

Base Cabinet + 2 Doors with Batten, 1 Drawer and Sliding Shelves

NEW | OPTION



- Left door with batten
- Sliding shelves are not adjustable
- Engineered wood sliding shelves with solid hardwood front, MDF bottom, and side-mounted drawer glides

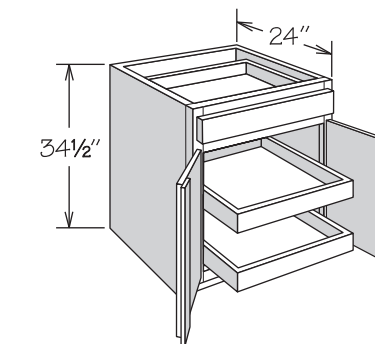
RD
RTK
VTD

1 SLIDING SHELF

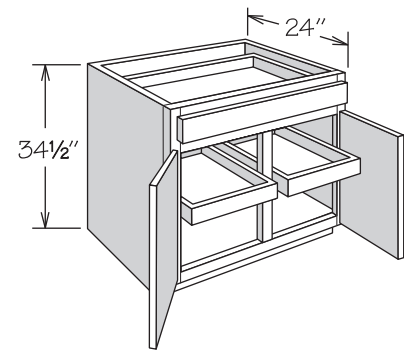
- B24 1B SS1

2 SLIDING SHELVES

- B24 1B SS2
- B30 SS2 1B
- B33 SS2 1B
- B36 SS2 1TD 1B



Base Cabinet + 2 Doors, 1 Drawer and Sliding Shelves NEW | OPTION



- Sliding shelves are not adjustable
- Engineered wood sliding shelves with solid hardwood front, MDF bottom, and side-mounted drawer glides

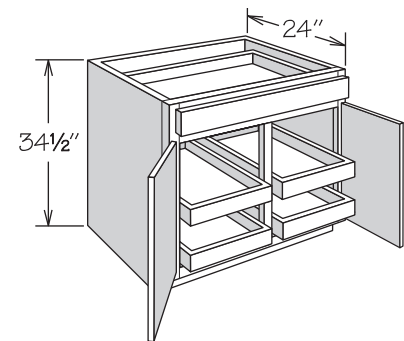
RD
RTK
VTD

2 SLIDING SHELVES

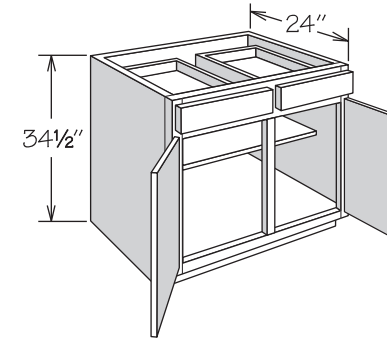
B27 SS1
B30 SS1
B33 SS1
B36 SS1 1TD

4 SLIDING SHELVES

B27 SS2
B30 SS2
B33 SS2
B36 SS2 1TD



Base Cabinet + 2 Doors and 2 Drawers NEW | OPTION



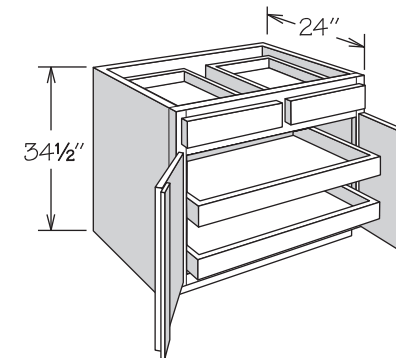
- Half-depth adjustable shelf
- Center support for shelf provided

CFO
FDS
IF
RD
RTK

1 SHELF

B36
B39
B42
B48

Base Cabinet + 2 Doors with Batten, 2 Drawers and Sliding Shelves NEW | OPTION



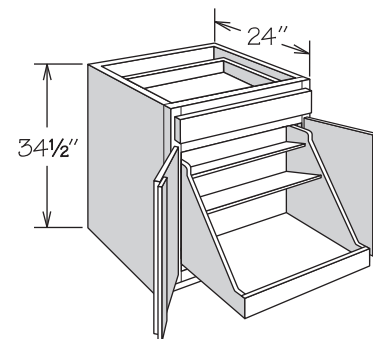
- Left door with batten
- Sliding shelves are not adjustable
- Engineered wood sliding shelves with solid hardwood front, MDF bottom, and side-mounted drawer glides

RD
RTK
VTD

2 SLIDING SHELVES

B36 SS2 1B

Base Cabinet + 2 Doors with Batten, 1 Drawer and Pot & Pan Organizer NEW | OPTION



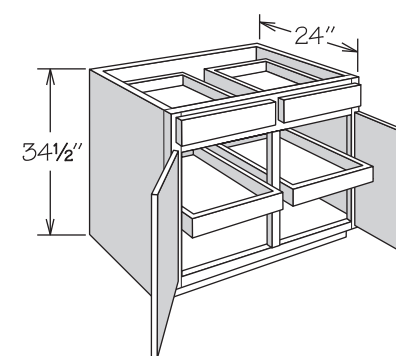
- Left door with batten
- Organizer in natural finish solid wood and wood veneer with dovetail construction full-extension drawer glides
- Top shelf measures 6 3/4" deep
- Middle shelf measures 9 3/4" deep

IF
RTK
VTD

BASE POT & PAN ORGANIZER

B24 1B FABPPO
B30 1B FABPPO
B33 1B FABPPO
B36 1B 1TD FABPPO

Base Cabinet + 2 Doors, 2 Drawers and Sliding Shelves NEW | OPTION



- Sliding shelves in center position are not adjustable
- Engineered wood sliding shelves with solid hardwood front, MDF bottom, and side-mounted drawer glides

RD
RTK
VTD

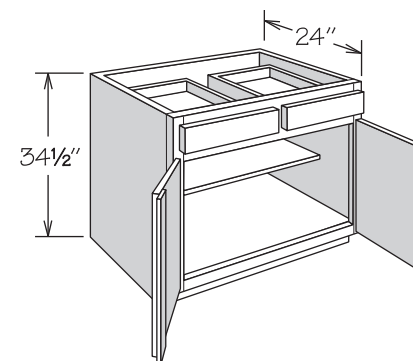
2 SLIDING SHELVES

B36 SS1
B39 SS1
B42 SS1
B48 SS1

4 SLIDING SHELVES

B36 SS2
B39 SS2
B42 SS2
B48 SS2

Base Cabinet + 2 Doors with Batten and 2 Drawers NEW | OPTION

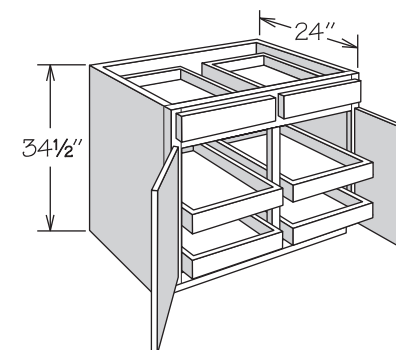


- Left door with batten
- Half-depth adjustable shelf
- Center support for shelf provided

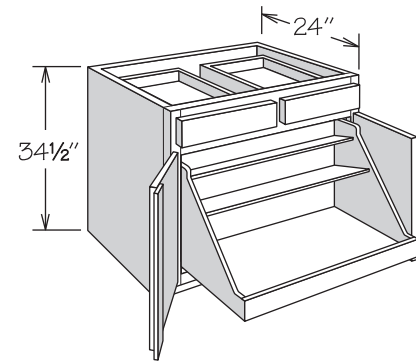
CFO
FDS
IF
RD
RTK

1 SHELF

B36 1B



Base Cabinet + 2 Doors with Batten, 2 Drawers and Pot & Pan Organizer NEW | OPTION

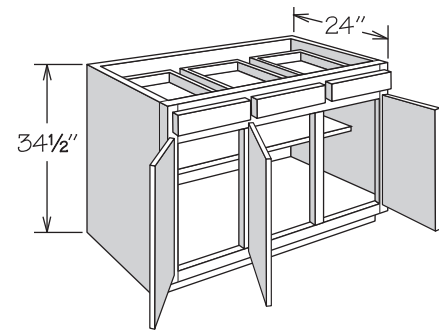


- Left door with batten
- Organizer in natural finish solid wood and wood veneer with dovetail construction full-extension drawer glides
- Top shelf measures 6 3/8" deep
- Middle shelf measures 9 3/4" deep

IF
RTK
VTD

BASE POT & PAN ORGANIZER
B36 1B FABPPO

Base Cabinet + 3 Doors and 3 Drawers NEW | OPTION

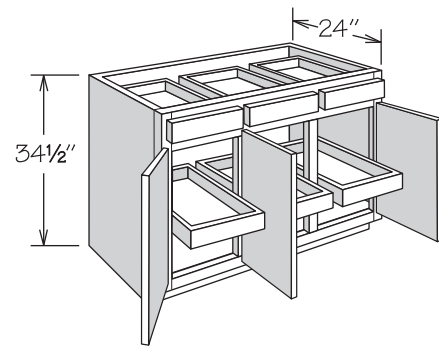


- Half-depth adjustable shelf
- Center support for shelf provided
- Hinged as shown - can be reversed in the field

CFO
FDS
IF
RD
RTK

1 SHELF
B45

Base Cabinet + 3 Doors, 3 Drawers and Sliding Shelves NEW | OPTION



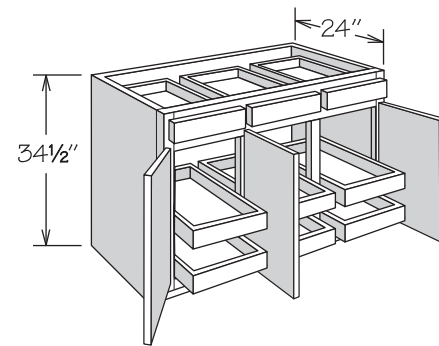
3 SLIDING SHELVES

- Sliding shelves are not adjustable
- Engineered wood sliding shelves with solid hardwood front, MDF bottom, and side-mounted drawer glides
- Hinged as shown - can be reversed in the field

RD
RTK
VTD

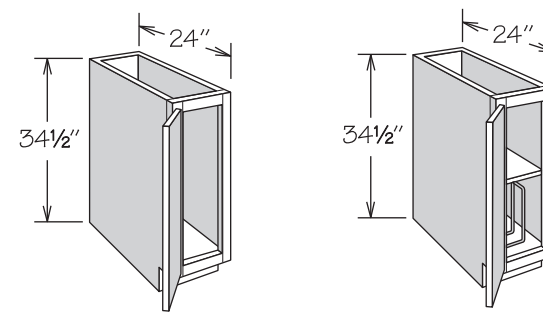
3 SLIDING SHELVES
B45 SS1

6 SLIDING SHELVES
B45 SS2



6 SLIDING SHELVES

Full-Height Base Cabinet + 1 Door



NO SHELF

1 SHELF & TRAY DIVIDER

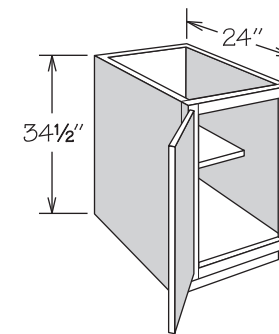
- Full-height door
- Recessed Toe Kick Option available left (RTKL) or right (RTKR) only
- TB9 TDS is only available with RD-23 through RD-14
- TB9 TDS features full-depth adjustable shelf (S924) and Tray Divider (TD3) packaged separately for field installation
- Door is hinged left and can be reversed in the field

CFO
RD
RTK

NO SHELF
TB9

1 SHELF & TRAY DIVIDER
TB9 TDS

Full-Height Base Cabinet + 1 Door NEW | OPTION

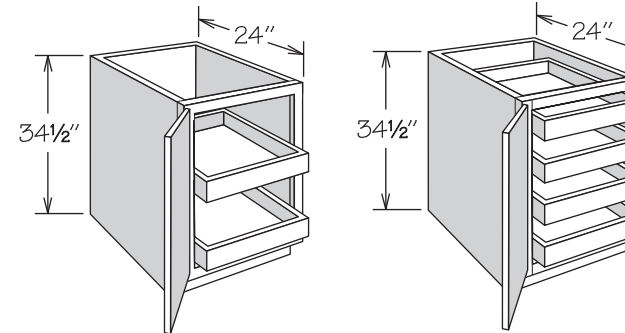


- Half-depth adjustable shelf
- Full-height door
- Door is hinged left and can be reversed in the field

CFO
FDS
RD
RTK

1 SHELF
B12 FH
B15 FH
B18 FH
B21 FH

Full-Height Base Cabinet + 1 Door and Sliding Shelves



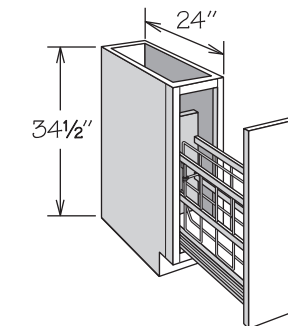
- Full-height door
- Sliding shelves are not adjustable
- Engineered wood sliding shelves with solid hardwood front, MDF bottom, and side-mounted drawer glides
- Distance between sliding shelves is 10 3/16" for B18 FH SS2 and 4 7/16" for B18 FH SS4
- Door is hinged left and can be reversed in the field

RD
RTK

2 SLIDING SHELVES
B18 FH SS2

4 SLIDING SHELVES
B18 FH SS4

Full-Height Base Cabinet + 1 Door with Tray Divider Pull-Out

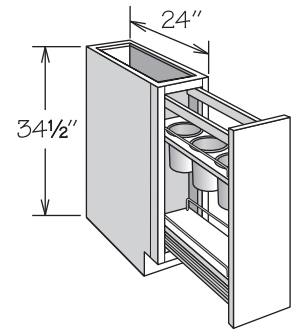


- Full-height door
- Features heavy-duty glides
- Tray divider is adjustable to accommodate various storage solutions
- Decorative hardware strongly recommended
- Recessed Toe Kick Option available left (RTKL) or right (RTKR) only

RTK

TRAY DIVIDER PULL-OUT
BTDP9

Full-Height Base Cabinet + 1 Door with Utensil Storage Pull-Out



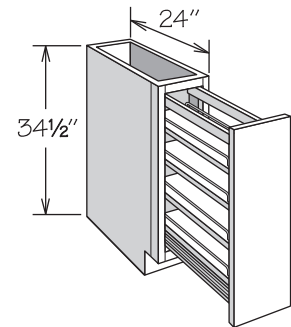
- Full-height door
- One fixed bottom and one adjustable lower shelf in a natural finish with chrome rails
- One fixed upper shelf in a natural finish with chrome rails and three stainless steel removable storage bins
- Stainless steel bins measure 5 1/4" wide x 6 3/8" deep
- Decorative hardware strongly recommended
- BPPUS9 not available with Recessed Toe Kick Both Option (RTKB)

RTK

UTENSIL STORAGE PULL-OUT

BPPUS9
BPPUS12

Full-Height Base Cabinet + 1 Door with Base Pantry Pull-Out



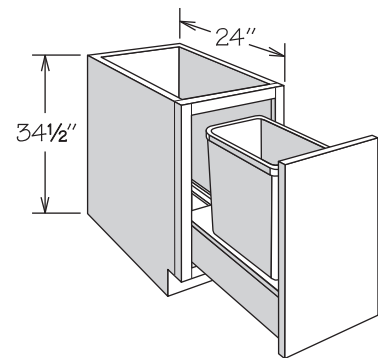
- Full-height door
- One fixed and three adjustable shelves with chrome rails
- Features three individual heavy-duty glides
- Decorative hardware strongly recommended
- BPP9 not available with Recessed Toe Kick Both Option (RTKB)

RTK

BASE PANTRY PULL-OUT

BPP9
BPP12

Full-Height Base Cabinet + 1 Door with Wastebasket Pull-Out



1 WASTEBASKET

- Full-height door
- Wastebasket rests in a natural finish wood frame
- Wastebasket pull-out features heavy-duty, full-extension, 132-pound rated glides
- BWBB15 FH and BWBB18 FH feature one silver plastic 50-quart capacity bin
- BWBB21-2 FH features two silver plastic 50-quart capacity bins
- Decorative hardware strongly recommended

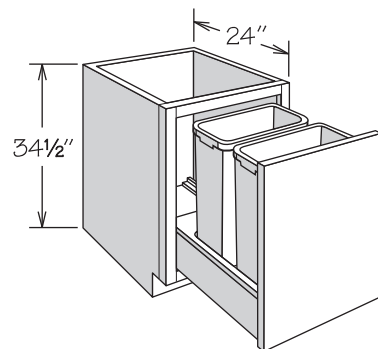
RTK

1 WASTEBASKET

BWBB15 FH
BWBB18 FH

2 WASTEBASKETS

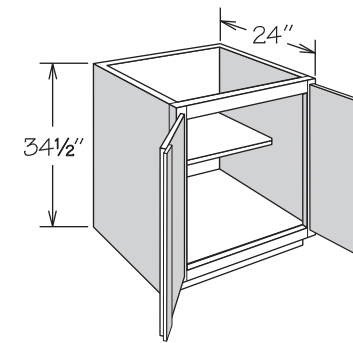
BWBB21-2 FH



2 WASTEBASKETS

Full-Height Base Cabinet + 2 Doors with Batten

NEW | OPTION



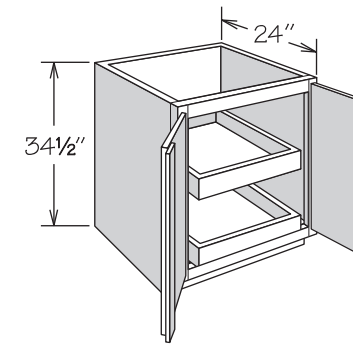
- Full-height door
- Left door with batten
- Half-depth adjustable shelf

CFO
FDS
RD
RTK

1 SHELF

B24 1B FH
B30 1B FH
B36 1B FH

Full-Height Base Cabinet + 2 Doors with Batten and Sliding Shelves



- Full-height doors
- Left door with batten
- Sliding shelves are not adjustable
- Engineered wood sliding shelves with solid hardwood front, MDF bottom, and side-mounted drawer glides
- Distance between sliding shelves is 10 13/16" for B_ 1B FH SS2 and 4 7/16" for B_ 1B FH SS4

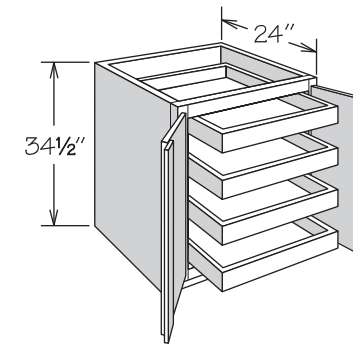
RD
RTK

2 SLIDING SHELVES

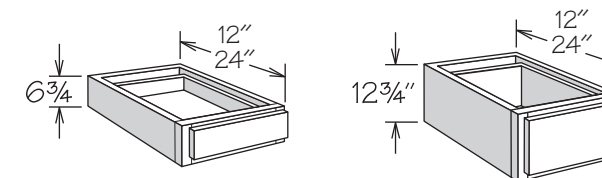
B24 1B FH SS2
B30 1B FH SS2

4 SLIDING SHELVES

B24 1B FH SS4
B30 1B FH SS4



Furniture Drawer Cabinet + 1 Drawer



- 6" high features one standard drawer and 12" high features one large drawer
- 24" Furniture Drawer cabinets are only available with RD-23 through RD-13
- Bottom of cabinet frame must be fully supported
- No toe kick

CFO
RD

6" HIGH • 1 DRAWER

12" Deep

FD121206
FD151206
FD181206
FD211206
FD241206
FD271206
FD301206
FD331206
FD361206

24" Deep

FD122406 ■
FD152406 ■
FD182406 ■
FD212406 ■
FD242406 ■
FD272406 ■
FD302406 ■
FD332406 ■
FD362406 ■

12" HIGH • 1 DRAWER

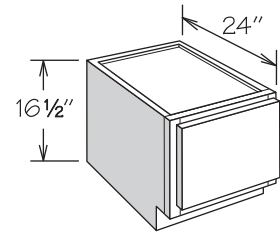
12" Deep

FD121212
FD151212
FD181212
FD211212
FD241212
FD271212
FD301212
FD331212
FD361212

24" Deep

FD122412 ■
FD152412 ■
FD182412 ■
FD212412 ■
FD242412 ■
FD272412 ■
FD302412 ■
FD332412 ■
FD362412 ■

Pedestal Drawer Cabinet + 1 Drawer



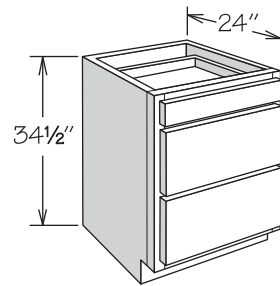
- One large drawer
- Toe kick included
- Features cabinet top

CFO
RD
RTK

1 DRAWER

PD1217 1DWR
 PD1517 1DWR
 PD1817 1DWR
 PD2117 1DWR
 PD2417 1DWR
 PD2717 1DWR
 PD3017 1DWR
 PD3317 1DWR
 PD3617 1DWR

Drawer Base Cabinet + 3 Drawers NEW | OPTION



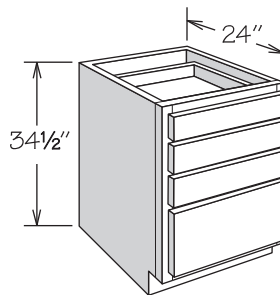
- One standard and two large drawers

CFO
RD
RTK
VTD

3 DRAWERS

DB12	DB27
DB15	DB30
DB18	DB33
DB21	DB36 1TD
DB24	

Drawer Base Cabinet + 4 Drawers NEW | OPTION



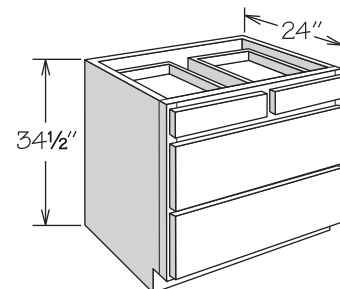
- One large and three standard drawers

CFO
RD
RTK
VTD

4 DRAWERS

DB12 4DWR
 DB15 4DWR
 DB18 4DWR
 DB21 4DWR
 DB24 4DWR

Drawer Base Cabinet + 2 Standard and 2 Large Drawers NEW | OPTION



- Two standard and two large drawers

CFO
RD
RTK
VTD

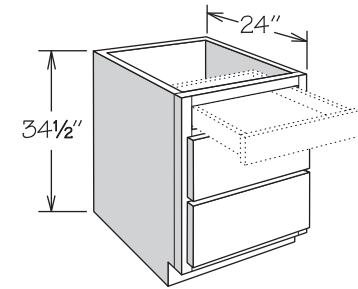
4 DRAWERS

DB36

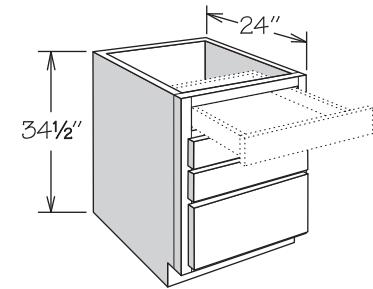
Drawer Base Cabinets with Drawer Accessories

1 Select a base cabinet configuration below. Example: DB15 (3 Drawer Base Cabinet).

RTK



3 DRAWER



4 DRAWER

3 DRAWERS

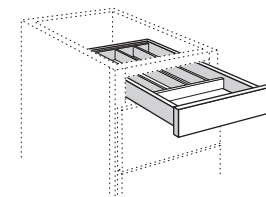
DB15 *
 DB18 *
 DB21 *
 DB24 *

4 DRAWERS

DB15 4DWR *
 DB18 4DWR *
 DB21 4DWR *
 DB24 4DWR *

2 Choose a factory installed base drawer accessory below. Example: Wood Tiered Cutlery Divider (WTCD).

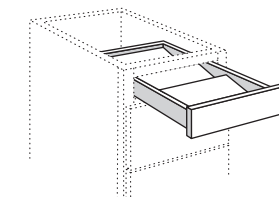
Cutlery Divider + CD



WIDTH	SECTIONS
15"	3
18"	4
21"	5
24"	5

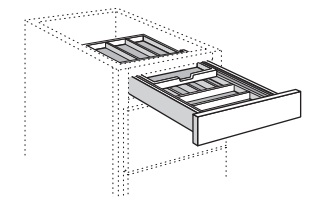
- Solid hardwood and plywood cutlery divider in natural finish
- Top drawer features solid hardwood dovetail drawer in natural finish
- Remaining drawers will utilize drawer system specific to selected door style or drawer option

Spice Drawer Insert + SDI



- Solid hardwood and plywood spice drawer insert in natural finish
- Accommodates most spice containers (not included)
- Top drawer features solid hardwood dovetail drawer in natural finish
- Remaining drawers will utilize drawer system specific to selected door style or drawer option

Wood Tiered Cutlery Divider + WTCD

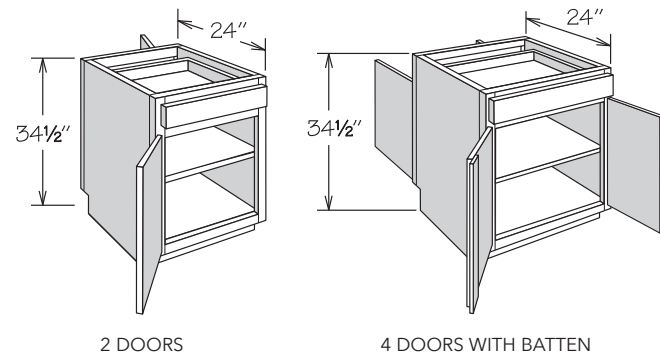


WIDTH	UPPER SECTION	LOWER SECTION
15"	5	5
18"	5	6
21"	6	7
24"	7	7

- Double-tiered cutlery divider slides independently from drawer
- Solid hardwood and plywood double-tiered cutlery divider in natural finish
- Top drawer features solid hardwood dovetail drawer in natural finish
- Remaining drawers will utilize drawer system specific to selected door style or drawer option

3 Replace the asterisk (*) with the code for the drawer accessory to order as a factory installed accessory. Example: DB15 WTCD.

Peninsula Base + 1 Drawer NEW | OPTION



- PB24 1B features left door with batten
- Full-depth adjustable shelf
- Drawer accessible on one side only
- Panel on opposite side of drawer
- When selecting the Recessed Toe Kick Option, the drawer side indicates the front of the cabinet in order to correctly select Recessed Toe Kick Right or Left
- Single door cabinets are hinged left and can be reversed in the field

RD
RTK
VTD

2 DOORS

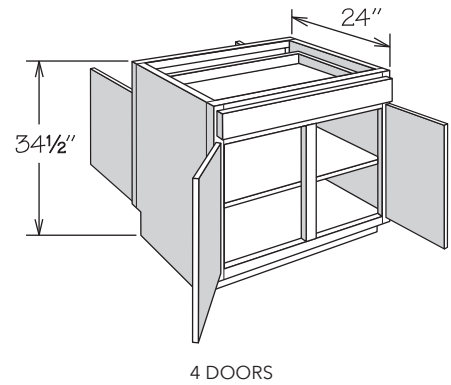
PB12
PB18
PB24

4 DOORS WITH BATTEN

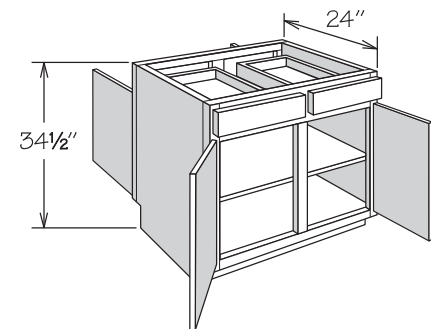
PB24 1B

4 DOORS

PB30
PB36 1TD



Peninsula Base + 2 Drawers NEW | OPTION



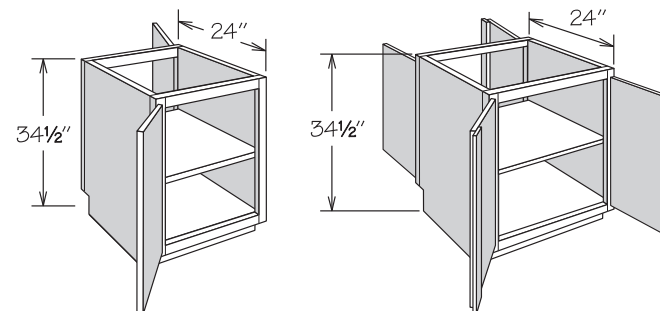
- Full-depth adjustable shelf
- Drawers accessible on one side only
- PB36 features one panel on opposite side of drawers
- PB42 features two panels on opposite side of drawers
- When selecting the Recessed Toe Kick Option, the drawer side indicates the front of the cabinet in order to correctly select Recessed Toe Kick Right or Left

RD
RTK
VTD

4 DOORS

PB36
PB42

Full-Height Peninsula Base



- Full-height doors
- Full-depth adjustable shelf
- Cabinets with 4 doors feature left door with batten
- Single door cabinets are hinged left and can be reversed in the field

RD
RTK

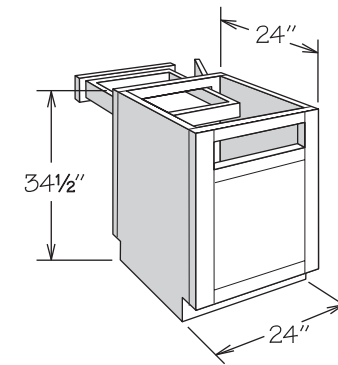
2 DOORS

PB12 FH
PB18 FH

4 DOORS WITH BATTEN

PB24 1B FH
PB30 1B FH
PB36 1B FH

Blind Peninsula Corner Base NEW | OPTION



- Half-depth adjustable shelf
- Can be installed left or right
- Universal Fillers are recommended for use between PBC24 and wall and adjoining base cabinet or appliance for hardware clearance and proper door operation
- Cabinet may require pulling from wall - refer to the chart below for specifications
- Roll-out accessories are not recommended
- Must order Universal Fillers separately
- PBC24 1B features left door with batten
- PBC24 is hinged left and can be reversed in the field

FDS
RD

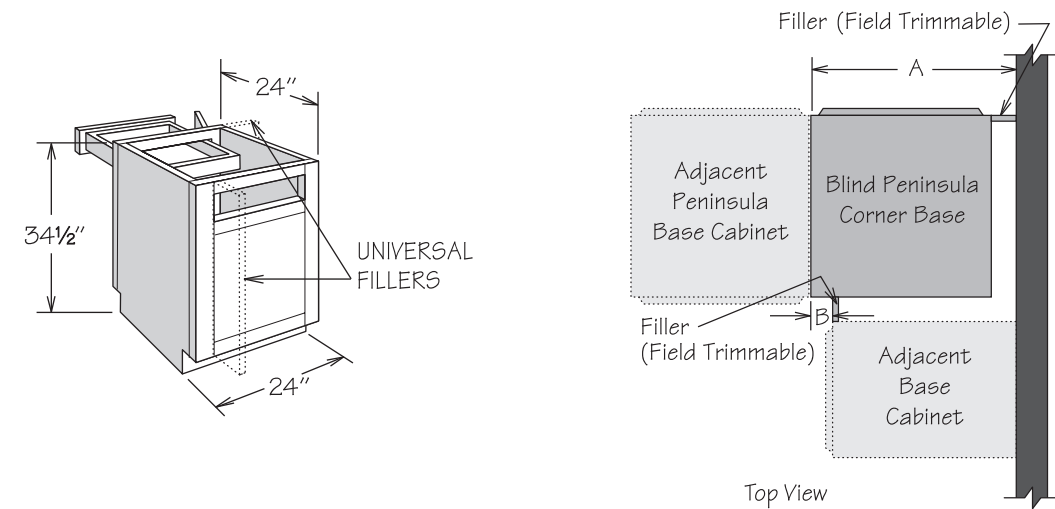
1 DOOR

PBC24

2 DOORS

PBC24 1B

BLIND PENINSULA CORNER BASE INSTALLATION CHART

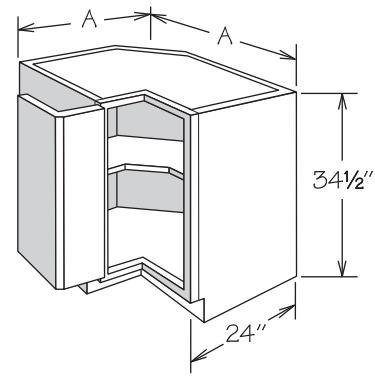


Standard Overlay Door Styles

Wall Space A requirements include optional decorative hardware clearance. 1 1/4" may be deducted if decorative hardware is not used.

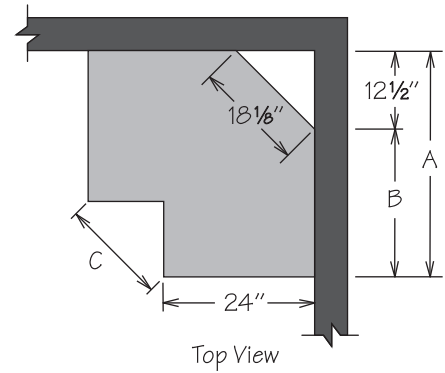
Cabinet	Actual Cabinet Width	Door Opening	Door(s)	Wall Space A			Exposed Frame B		Filler (at wall)	
				Min. Space	Max. Pull	Max. Space	Min. Space	Max. Space	Min.	Max.
PBC24	24"	20 3/4"	DR2424	25 3/8"	1 5/8"	27"	1 3/8"	3"	1 3/8"	3"
PBC24 1B	24"	20 3/4"	DR1224 (2)	25 3/8"	1 5/8"	27"	1 3/8"	3"	1 3/8"	3"

Base Easy Reach

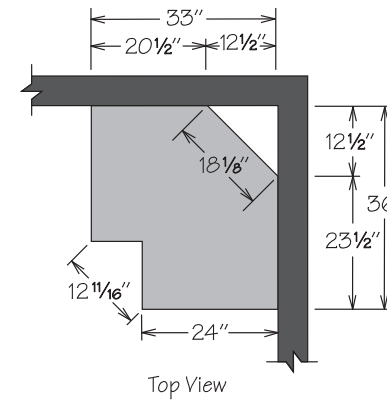


- One adjustable half-depth shelf (non-removable)
- All door styles must be ordered hinged left or right
- Left shown
- Sides are finished
- Doors open 170°
- Cabinet requires a minimum of 34" to fit through doorway
- Additional space recommended if appliance is installed on the hinge side of this cabinet for proper door operation

1 SHELF	A	B	C
BER33	33"	20 1/2"	10 7/16"
BER36	36"	23 1/2"	14 5/8"

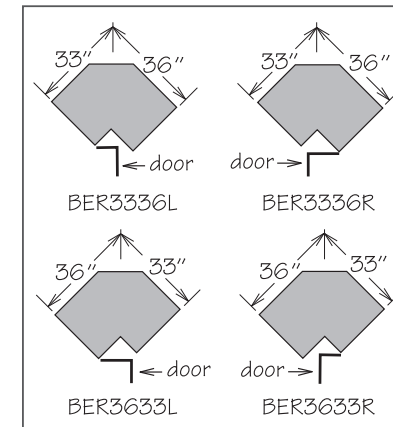


Asymmetrical Base Easy Reach

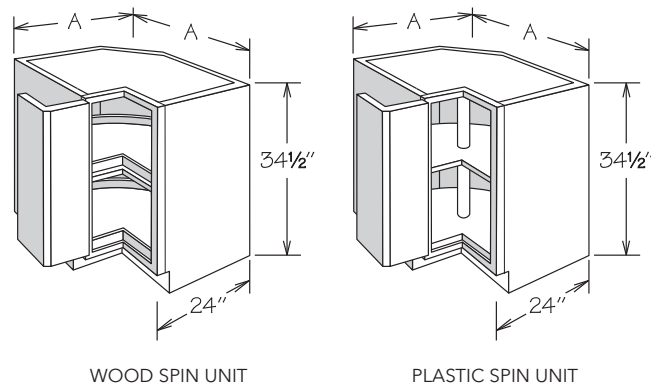


- One adjustable half-depth shelf (non-removable)
- All door styles must be ordered hinged left or right
- Sides are finished
- Doors open 170°
- Cabinet requires a minimum of 34" to fit through doorway
- Additional space recommended if appliance is installed on the hinge side of this cabinet for proper door operation

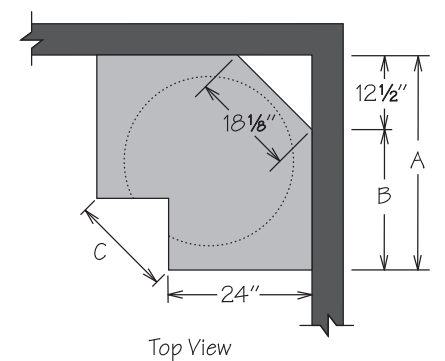
1 SHELF
BER3336
BER3633



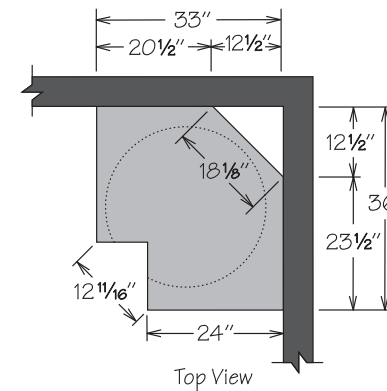
Base Super Susan + Spin Units



- All door styles must be ordered hinged left or right
- Left shown
- Sides are finished
- Doors open 170°
- Cabinet requires a minimum of 34" to fit through doorway
- Additional space recommended if appliance is installed on the hinge side of this cabinet for proper door operation
- Wood Spin Units feature:
 - » Fixed wood spin unit mounted on cabinet floor
 - » One wood spin unit attached to 3/4" adjustable shelf
 - » Natural finish wood spin units feature 1" lip
 - » Wood spin diameter is 28" for BSS33 and 32" for BSS36
- Plastic Spin Units feature:
 - » BSS33 features two 28" diameter white spin shelves with pole (top shelf adjustable)
 - » BSS36 features two 32" diameter white spin shelves with pole (top shelf adjustable)

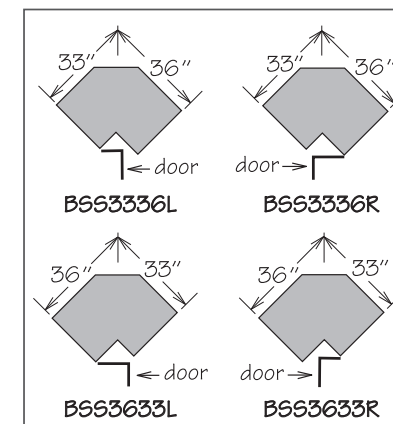


Asymmetrical Base Super Susan + Spin Units

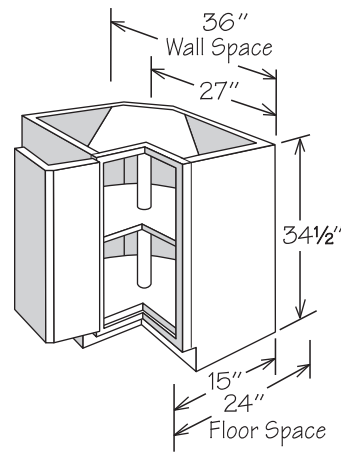


- All door styles must be ordered hinged left or right
- Sides are finished
- Doors open 170°
- Cabinet requires a minimum of 34" to fit through doorway
- Additional space recommended if appliance is installed on the hinge side of this cabinet for proper door operation
- Wood Spin Units features:
 - » Fixed wood spin unit mounted on cabinet floor
 - » Features one wood spin unit attached to 3/4" adjustable shelf
 - » Natural finish wood spin units feature 1" lip and are 28" in diameter for BSS3336 WD and 32" for BSS3633 WD
- Plastic Spin Units features:
 - » Two 28" diameter white spin shelves with pole (top shelf adjustable)

WOOD SPIN UNIT	PLASTIC SPIN UNIT
BSS3336 WD	BSS3336
BSS3633 WD	BSS3633



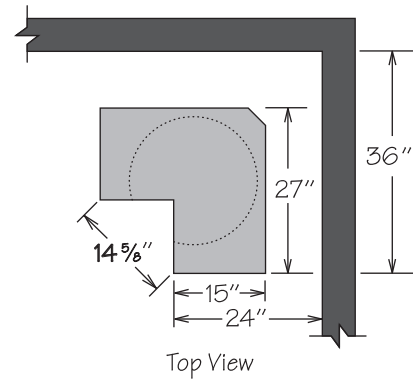
Corner Base Carousel + Spin Units



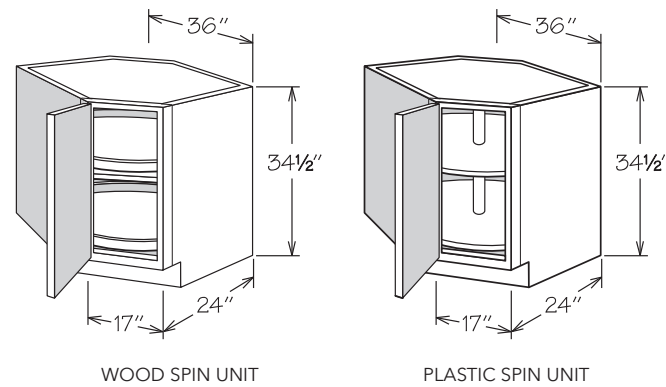
- CAR36 features two 24" diameter white spin shelves with pole (top shelf adjustable)
- CAR36 WD features two 24" diameter natural finish solid hardwood spin shelves with pole (top shelf adjustable)
- All door styles must be ordered hinged left or right
- Left shown
- Sides are unfinished
- Doors open 170°
- If unit has an exposed side, order end panel separately
- Additional support for countertop in back is necessary
- Additional space recommended if appliance is installed on the hinge side of this cabinet for proper door operation
- Unit must be pulled to install in a 36" x 36" space

WOOD SPIN UNIT
CAR36 WD

PLASTIC SPIN UNIT
CAR36



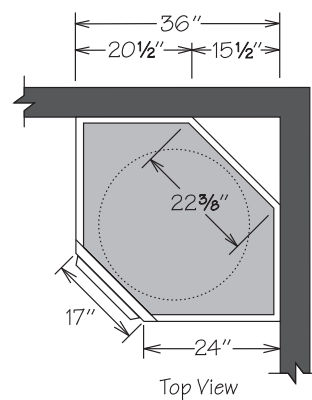
Corner Base + Spin Units



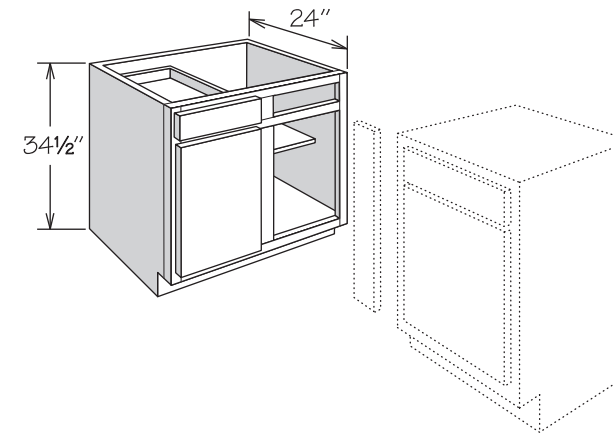
- Sides are finished
- Cabinet requires a minimum of 34" to fit through doorway
- Additional space recommended if appliance is installed on the hinge side of this cabinet for proper door operation
- Cabinet features solid top
- Wood Spin Units feature:
 - » Fixed wood spin unit mounted on cabinet floor
 - » Features one wood spin unit attached to 3/4" adjustable shelf
 - » Natural finish wood spin units feature 1" lip and are 28" in diameter
- Plastic Spin Units feature:
 - » Features two 28" diameter full round spin shelves with pole (top shelf adjustable)
- Door is hinged left and can be reversed in the field

WOOD SPIN UNIT
CBS36 WD

PLASTIC SPIN UNIT
CBS36



Blind Corner Base NEW | OPTION



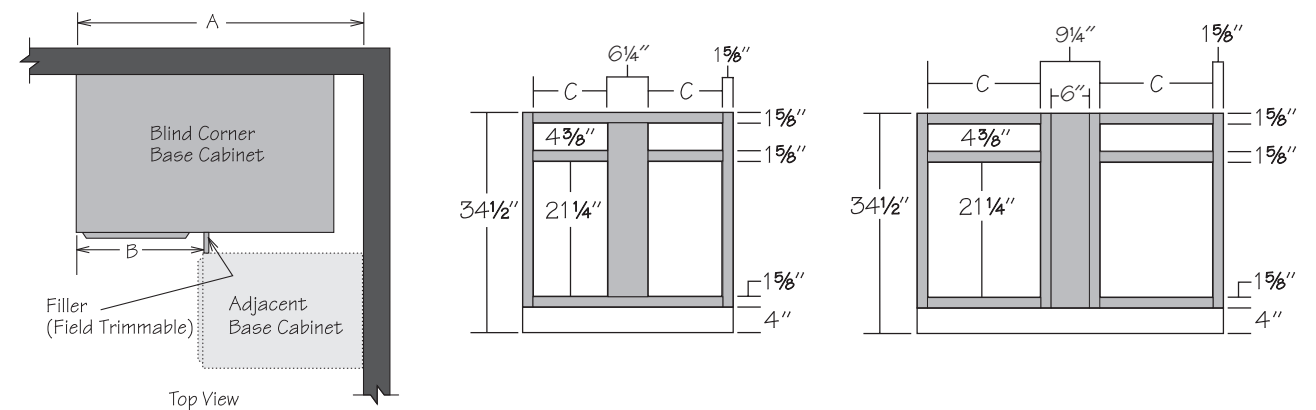
- Half-depth adjustable shelf
- Blind base door and drawer are installed in the left section
- Door and drawer can be reversed in the field as blind sections are identical
- Includes 1/8" panel to cover blind opening (field trim and install)
- Refer to the chart below for specifications
- Recessed Toe Kick Both Option available only (RTKTB)
- Must order Universal Filler separately

CFO
FDS
RD
RTK

1 SHELF

BLB36/39
BLB39/42
BLB42/45
BLB45/48
BLB48/51

BLIND CORNER BASE INSTALLATION CHART

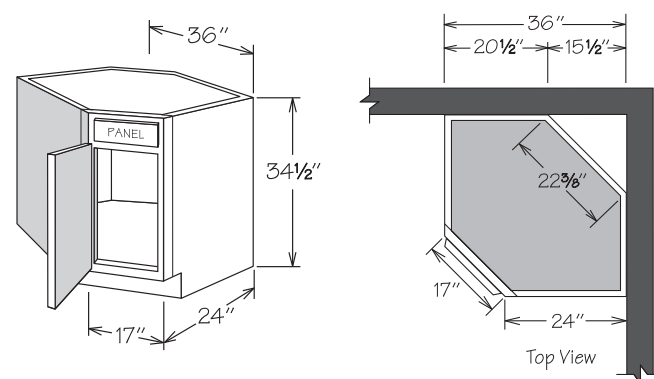


Standard Overlay Door Styles

Wall Space A requirements include optional decorative hardware clearance. 1 1/4" may be deducted if decorative hardware is not used.

Cabinet	Actual Cabinet Width	C Door Opening	Door(s)	Wall Space A			Exposed Frame B	
				Minimum Space	Maximum Pull	Maximum Space	Minimum Space	Maximum Space
BLB36/39	27"	8 3/4"	DR1224	37 3/8"	2 5/8"	40"	13 3/8"	16"
BLB39/42	33"	11 3/4"	DR1524	40 3/8"	2 5/8"	43"	16 3/8"	19"
BLB42/45	39"	14 3/4"	DR1824	43 3/8"	2 5/8"	46"	19 3/8"	22"
BLB45/48	45"	17 3/4"	DR2124	46 3/8"	2 5/8"	49"	22 3/8"	25"
BLB48/51	48"	17 3/4"	DR2124	48"	4"	52"	24"	28"

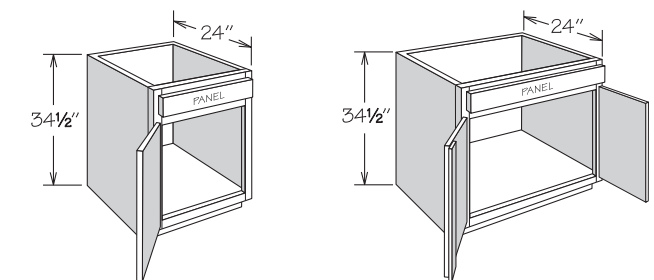
Corner Sink Base + 1 Door



- No shelf
- Sides are finished
- Cabinet requires a minimum of 34" to fit through doorway
- Additional space recommended if appliance is installed on either side of this cabinet for proper appliance door operation
- Cabinet features solid top which must be field cut for sink installation as per manufacturer's specifications
- Maximum sink width is 22 3/4" if cutout is 4" back from face of front frame
- Refer to sink manufacturer's specifications for adequate clearance and required installation materials
- Door is hinged left and can be reversed in the field

CSB36

Sink/Cooktop Base



1 DOOR

2 DOORS WITH BATTEN

- No shelf
- Full-height back
- Subtract 1 1/2" from width and depth for available sink bowl opening
- Refer to sink or appliance manufacturer's specifications for adequate clearance and required installation materials
- Touch Up Kit included
- Single door cabinets are hinged left and can be reversed in the field

RD
RTK

1 DOOR

SB18
SB21
SB24

2 DOORS WITH BATTEN

SB24 1B
SB30 1B
SB33 1B
SB36 1B

2 DOORS, 1 PANEL

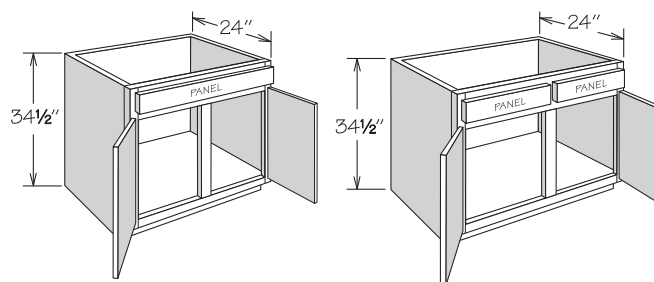
SB27
SB30
SB33
SB36

2 DOORS, 2 PANELS

SB39
SB42
SB48

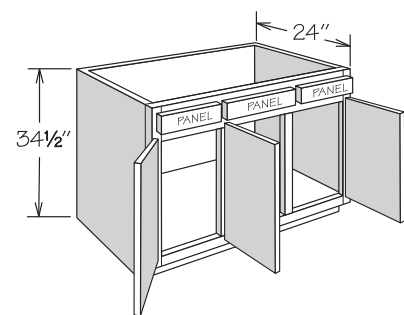
3 DOORS

SB45



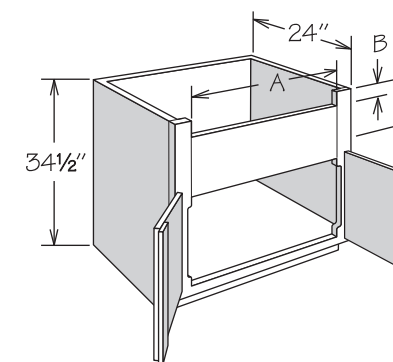
2 DOORS, 1 PANEL

2 DOORS, 2 PANELS



3 DOORS

Deep Sink/Range Base + 2 Doors NEW | SIZE

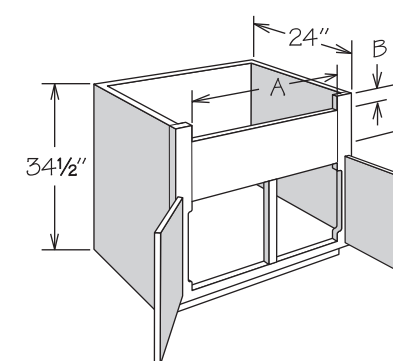


- Left door with batten
- No shelf
- Accommodates farm sinks
- Stiles at apron are 3 1/8" wide and trimmable
- A cutout exists in the door area where the 3 1/8" stiles are routed to 1 5/8"
- Refer to sink or appliance manufacturer's specifications for adequate clearance and required installation materials

RD
RTK

	A MIN.	A MAX.	B	C
DSB30 1B	23 3/4"	28"	2 7/8"	10 1/2"
DSB33 1B	26 3/4"	31"	2 7/8"	10 1/2"
DSB36 1B	29 3/4"	34"	2 7/8"	10 1/2"

Deep Sink/Range Base + 2 Doors NEW | SIZE

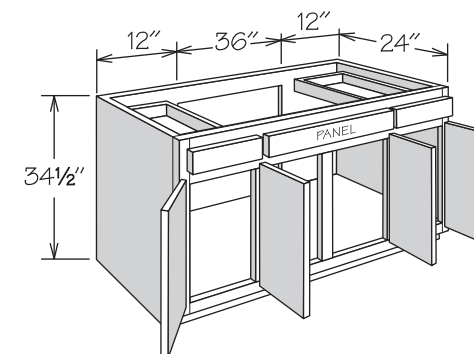


- No shelf
- Accommodates farm sinks
- Stiles at apron are 3 1/8" wide and trimmable
- A cutout exists in the door area where the 3 1/8" stiles are routed to 1 5/8"
- Refer to sink or appliance manufacturer's specifications for adequate clearance and required installation materials

RD
RTK

	A MIN.	A MAX.	B	C
DSB39	32 3/4"	37"	2 7/8"	10 1/2"

Utility Base + 4 Doors

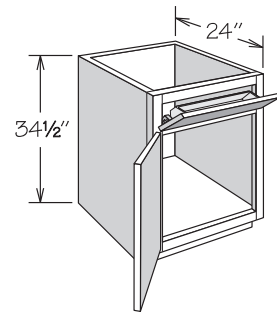


- No shelves
- Open area for plumbing access
- Maximum sink bowl opening is 34 1/2" wide
- Refer to sink manufacturer's specifications for adequate clearance and required installation materials

CFO
RD
RTK

UB60

Sink Base + 1 Door, 1 Tilt-Out Tray



- No shelf
- Full-height back
- Subtract 1 1/2" from width and 3 3/4" from depth for available sink bowl opening
- Tilt-Out Trays are NOT dishwasher safe
- Refer to sink manufacturer's specifications for adequate clearance and required installation materials
- Touch Up Kit included
- Door is hinged left and can be reversed in the field

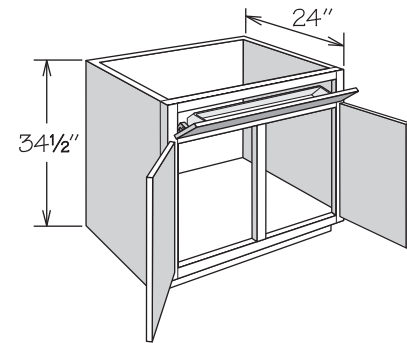
RD
RTK

1 DOOR

Stainless
SB18 STO
SB21 STO
SB24 STO

Plastic
SB18 TO
SB21 TO
SB24 TO

Sink Base + 2 Doors, 1 Tilt-Out Tray



2 DOORS

- No shelf
- Full-height back
- Subtract 1 1/2" from width and 3 3/4" from depth for available sink bowl opening
- Tilt-Out Trays are NOT dishwasher safe
- Refer to sink manufacturer's specifications for adequate clearance and required installation materials
- Touch Up Kit included

RD
RTK

2 DOORS

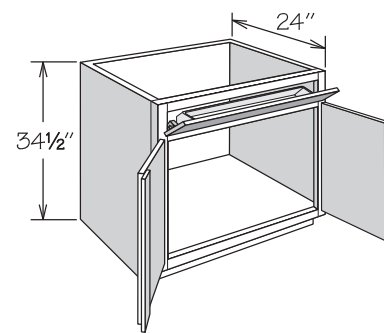
Stainless
SB27 STO
SB30 STO

Plastic
SB27 TO
SB30 TO

2 DOORS WITH BATTEN

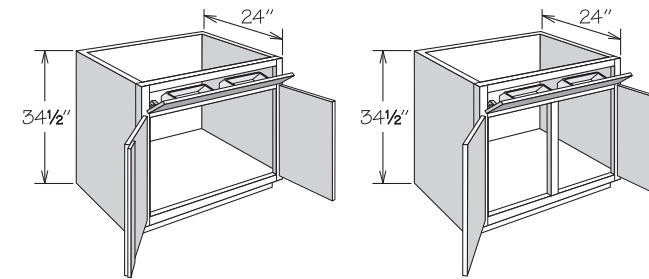
Stainless
SB24 1B STO
SB30 1B STO

Plastic
SB24 1B TO
SB30 1B TO



2 DOORS WITH BATTEN

Sink Base + 2 Doors, 2 Tilt-Out Trays



2 DOORS WITH BATTEN, 1 PANEL

2 DOORS, 1 PANEL

- No shelf
- Full-height back
- Subtract 1 1/2" from width and 3 3/4" from depth for available sink bowl opening
- Tilt-Out Trays are NOT dishwasher safe
- Refer to sink manufacturer's specifications for adequate clearance and required installation materials
- Touch Up Kit included

RD
RTK

2 DOORS WITH BATTEN

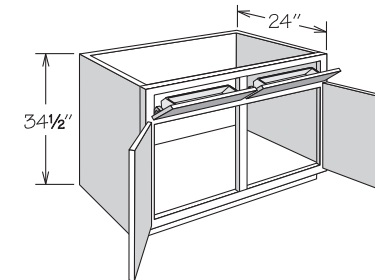
Stainless
SB33 1B STO
SB36 1B STO

Plastic
SB33 1B TO
SB36 1B TO

2 DOORS, 1 PANEL

Stainless
SB33 STO
SB36 STO

Plastic
SB33 TO
SB36 TO



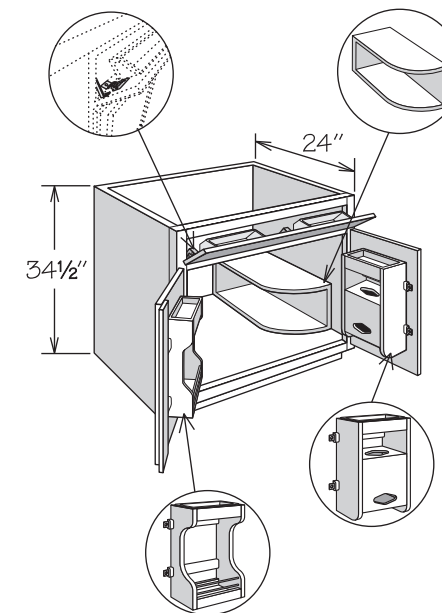
2 DOORS, 2 PANELS

2 DOORS, 2 PANELS

Stainless
SB39 STO
SB42 STO
SB48 STO

Plastic
SB39 TO
SB42 TO
SB48 TO

Sink Base Multi-Storage Cabinet



- Full-height back
- Features factory installed Sink Base Door Storage Unit on left door, Plastic Bag Door Storage Unit on right door
- Sink Base Multi-Storage Shelf (SBMSS) shipped separately for field installation left or right
- Sink Base Multi-Storage Shelf measures 8 1/8" wide x 8" high x 17 1/2" deep
- Subtract 1 1/2" from width and 3 3/4" from depth for available sink bowl opening
- Tilt-Out Trays and Door Storage Unit trays are NOT dishwasher safe
- Refer to sink manufacturer's specifications for adequate clearance and required installation materials

RTK

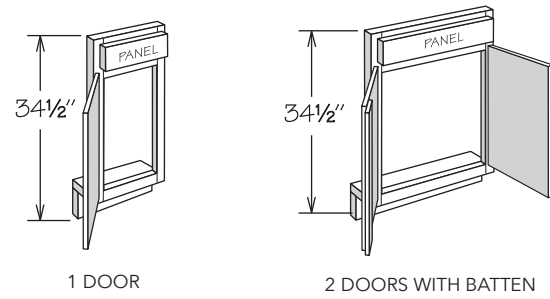
30" WIDE

1 Tilt-Out Tray
SBMS30 1B STO

36" WIDE

2 Tilt-Out Trays
SBMS36 1B STO

Sink/Cooktop Front



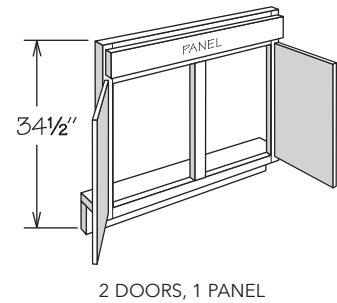
- Sink/range front not trimmable
- SF45 is hinged as shown - can be reversed in the field
- Order floor and returns separately (field trimming may be required) - refer to Panel Section for availability (page 141)

1 DOOR

SF12
SF15
SF18
SF21
SF24

2 DOORS WITH BATTEN

SF24 1B



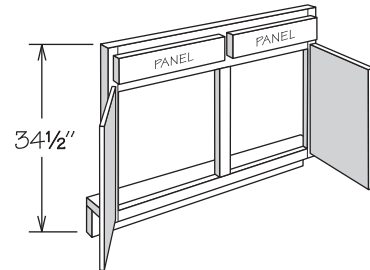
2 DOORS, 1 PANEL

2 DOORS, 1 PANEL

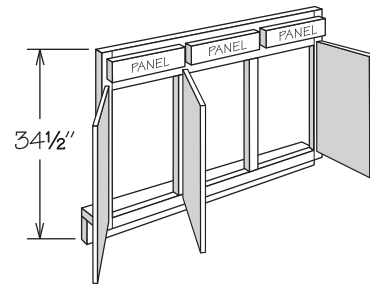
SF27
SF30
SF33
SF36

2 DOORS, 2 PANELS

SF39
SF42
SF48



2 DOORS, 2 PANELS

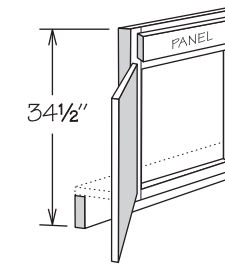


3 DOORS

3 DOORS

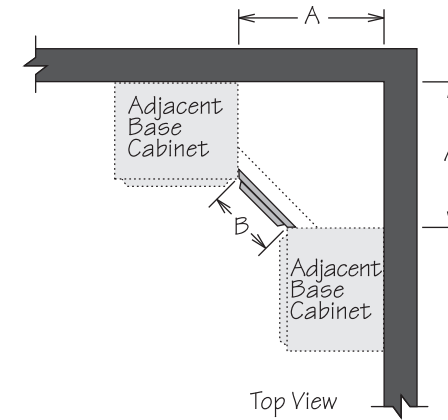
SF45

Corner Sink Front

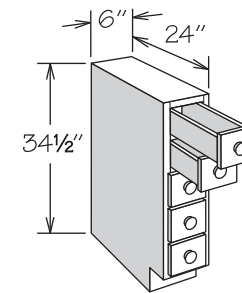


- Corner Sink Front not trimmable
- Vertical edges of frame are mitered to attach to adjacent cabinet frames
- Order floor and returns separately (field trimming may be required) - refer to Panel Section for availability (page 141)

	A	B
CSF36	35 ³¹ / ₃₂ "	16 ¹⁵ / ₁₆ "
CSF42	42 ¹¹ / ₃₂ "	25 ¹⁵ / ₁₆ "



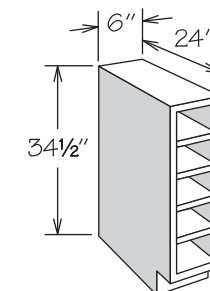
Base Spice Drawer Cabinet



- All door styles feature veneered engineered wood with exterior only finished
- Five individual full-depth drawers
- Flush sides with no face frame or 1/4" reveals
- All wood drawer body with dovetail construction
- Wood door styles feature matching wood knobs
- Thermofoil door styles feature white porcelain knobs and painted drawer fronts

BSDC6

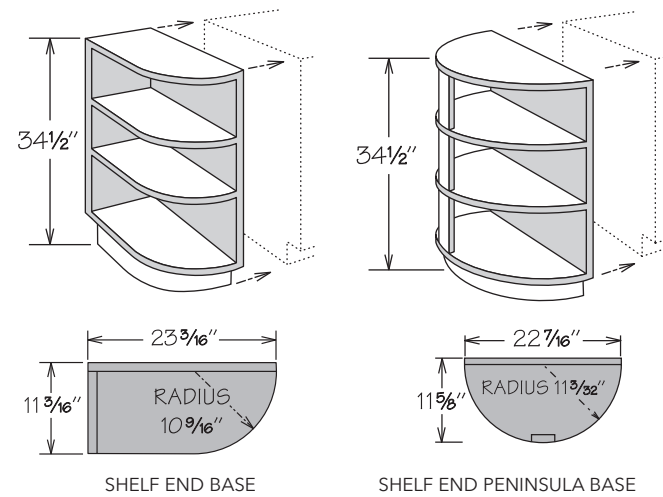
Base Wine Rack Cabinet



- All door styles feature veneered engineered wood finished to match cabinet exterior
- Interior finished to match cabinet exterior
- Accommodates five wine bottles (each opening measures 5" high x 4 1/2" wide)
- 3/4" sides and shelves
- Flush sides with no face frame or 1/4" reveals
- Cannot be retrofitted with Base Spice drawers

BWRC6

Shelf End Base

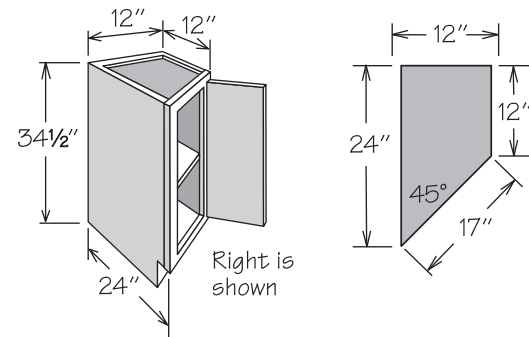


- All door styles feature veneered engineered wood finished to match cabinet exterior
- Interior finished to match cabinet exterior
- 3/4" shelves
- Distance between shelves is 9 3/16"
- 7/8" screw recommended from inside of adjacent cabinet for installation
- SEB toe kick is removable-invert unit for right or left
- Cabinet dimensions are for reference purposes ONLY - countertop must be measured and fabricated after cabinet installation

SHELF END BASE
SEB

SHELF END PENINSULA BASE
SEPB

Base End Angle + 1 Door

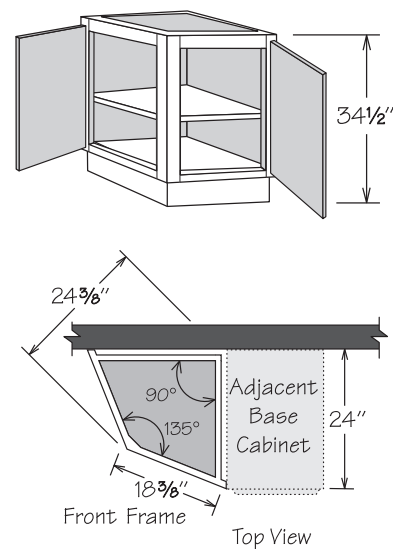


- Full-height door
- One adjustable shelf
- Right hand shown
- Only available with RD-23 through RD-18
- Recessed Toe Kick (RTK) only available on 12" side
- Cabinet dimensions are for reference purposes ONLY - countertop must be measured and fabricated after cabinet installation

RD
RTK

BEA12L FH
BEA12R FH

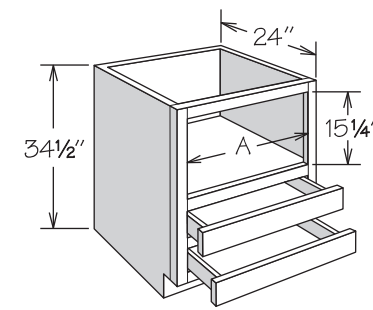
Base End Angle + 2 Doors



- One adjustable shelf
- Requires 24" x 24" space
- Cabinet dimensions are for reference purposes ONLY - countertop must be measured and fabricated after cabinet installation

BEA24 FH

Base Microwave Cabinet + 2 Drawers

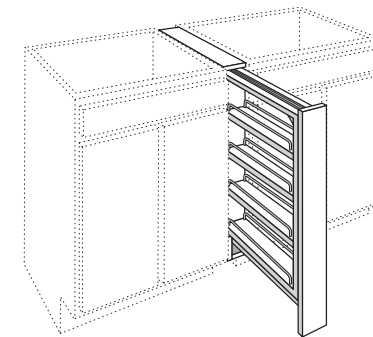


- Microwave opening finished to match cabinet exterior
- Designed to accommodate countertop style microwave
- Features two standard depth drawers
- Accent molding recommended (order separately)
- Refer to appliance manufacturer's specifications for adequate clearances

RD
RTK

	A
BMC24	20 3/4"
BMC27	23 3/4"
BMC30	26 3/4"

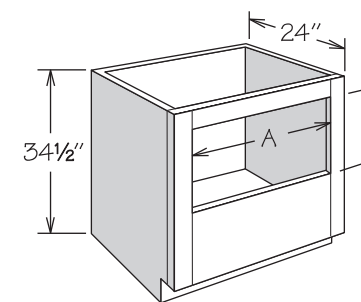
Base Filler Pull-Out



- Must be installed between two base cabinets behind the face frames in 3" of floor space
- Cannot be installed next to an appliance or at the end of a run
- No side panels or toe kick
- Filler shipped unattached for field installation
- One fixed and three adjustable 2 1/8" wide wood shelves with chrome rails
- Decorative hardware strongly recommended

BFP3

Base Oven Cabinet Universal



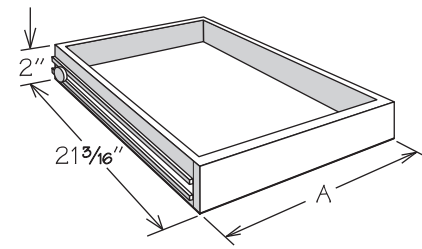
- Designed for mounting single oven below countertop
- 3" top rail is field removable and field trimmable
- 3 1/8" stiles
- Will accommodate certain cooktops (in conjunction with under-counter oven) or drop-in ranges
- Most ovens require a top rail of varying heights to create a finished look and clear the countertop overhang
- Refer to appliance manufacturer's specifications for adequate clearances and required installation materials

RD
RTK

	A MIN.	A MAX.	B MIN.	B MAX.*
BOCU27	20 3/4"	24 15/16"	18 1/4"	29"
BOCU30	23 3/4"	27 15/16"	18 1/4"	29"
BOCU33	26 3/4"	30 15/16"	18 1/4"	29"

*Trimming/removal of top rail required

Sliding Shelf Kit

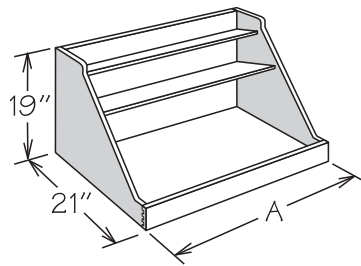


- Field installation accessory
- Engineered wood drawer with solid hardwood front, MDF bottom, and side-mounted drawer glides
- Includes sliding shelf, all glide hardware and instructions
- SSKs can be used with all single and double door base cabinets
- SSK drill template is required for all double door cabinets that have fixed center stile - contact Customer Care for drill template

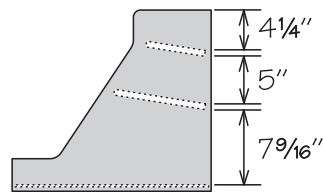
RD

SLIDING SHELF KIT	A	4 PACK SLIDING SHELF KIT	A
SSK12	8 1/2"	USS12-4K	8 1/2"
SSK13	10"	USS15-4K	11 1/2"
SSK15	11 1/2"	USS18-4K	14 1/2"
SSK16	13"	USS19-4K	16"
SSK18	14 1/2"	USS21-4K	17 1/2"
SSK19	16"	USS24-4K	20 1/2"
SSK21	17 1/2"	USS30-4K	26 1/2"
SSK24	20 1/2"	USS36-4K	32 1/2"
SSK30	26 1/2"		
SSK33	29 1/2"		
SSK36	32 1/2"		

Base Pot & Pan Organizer Kit

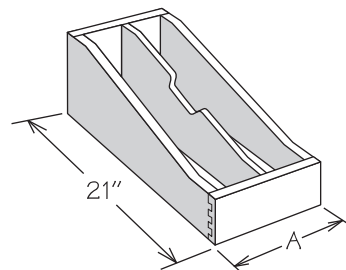


- Field installation accessory
- Natural finish solid wood and wood veneer with dovetail construction and full-extension drawer glides
- Top shelf measures 6 3/4" deep
- Middle shelf measures 9 3/4" deep
- Not sized to fit reduced depth cabinets



	A	BASE CABINET SIZE	OVEN CABINET SIZE
BPPOKFA24	19 3/4"	24"	27"
BPPOKFA27	22 3/4"	27"	30"
BPPOKFA30	25 3/4"	30"	33"
BPPOKFA33	28 3/4"	33"	-
BPPOKFA36	31 3/4"	36"	-

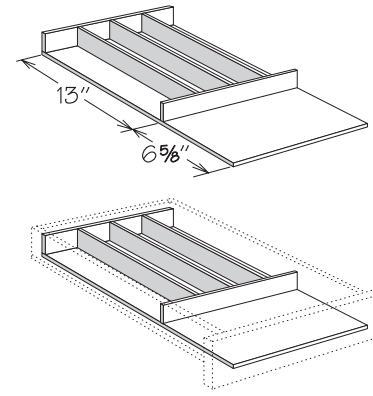
Roll-Out Tray Divider Kit



- Field installation accessory
- Natural finish solid wood and wood veneer with dovetail construction and full-extension drawer glides
- ROTDKFA12 features two compartments (one partition)
- ROTDKFA15 features three compartments (two partitions)
- Partition(s) are field installed
- Not sized to fit reduced depth cabinets

	A	CABINET SIZE
ROTDKFA12	7 3/4"	12"
ROTDKFA15	10 3/4"	15"

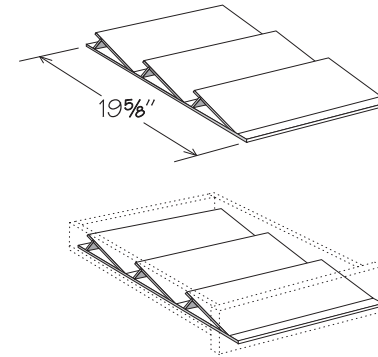
Cutlery Divider Kit



- Field installation accessory
- Solid hardwood and plywood in natural finish
- Field trim to fit drawers with side-mounted drawer glides
- Not sized to fit reduced depth cabinets

	NUMBER OF SECTIONS
CDAK15	3
CDAK18	4
CDAK21	5
CDAK24	5

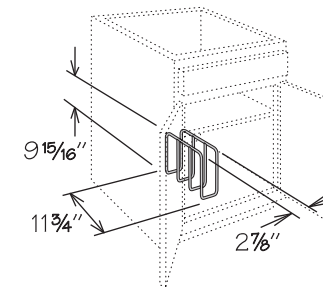
Spice Drawer Insert Kit



- Field installation accessory
- Solid hardwood and plywood in natural finish
- Accommodates most spice containers (not included)
- Field trim to fit drawers with side-mounted drawer glides
- Not sized to fit reduced depth cabinets

S DIAK15
S DIAK18
S DIAK21
S DIAK24

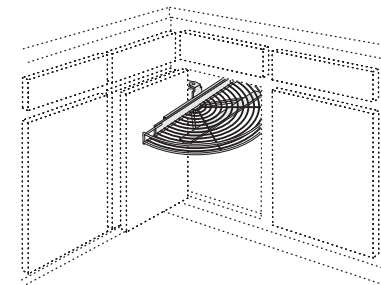
Cabinet Tray Divider



- Field installation accessory
- Chrome finish
- For use in 24" deep cabinet or cabinet with RD-23 through RD-14"
- Mounting hardware included

TD3

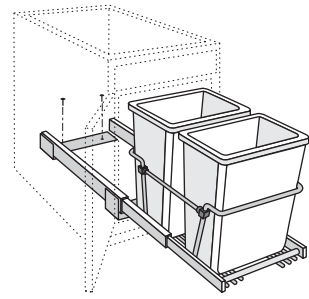
Corner Lazy Susan



- Field installation accessory
- One 2 1/2" high chrome wire shelf per unit
- For use with BLB45/48 or BLB48/51
- More than one unit can be installed
- Order units individually
- 34" long x 16" deep from center
- Attaches to back of face frame
- Not sized to fit reduced depth cabinets

CLS45F

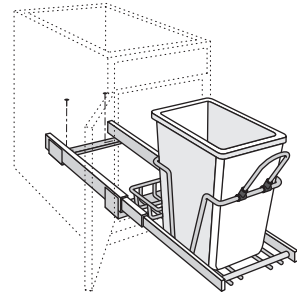
Base Recycling Kit



- Field installation accessory
- Features two white 27 quart plastic bins, one chrome wire rack, and glides
- Mounts in B18 (14³/₄") or wider cabinet opening
- Unit measures 11⁵/₈" wide x 19¹/₈" high x 22³/₄" deep
- Not sized to fit reduced depth cabinets

BR2B15

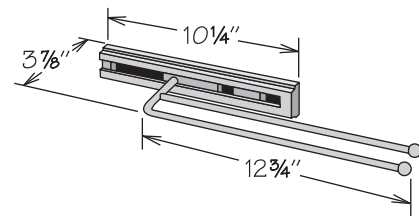
Wastebasket Unit



- Field installation accessory
- Features one white 35 quart plastic bin, chrome wire rack with storage bin, and glides
- Mounts in B15 (11³/₄") or wider cabinet opening
- Unit measures 10⁵/₈" wide x 19¹/₄" high x 22" deep
- Not sized to fit reduced depth cabinets

WBU15

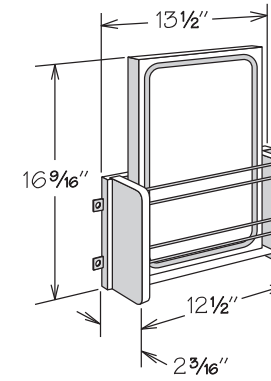
Sliding Towel Bar



- Field installation accessory
- Two chrome finish towel bars
- Mounts to cabinet side panel
- Pulls out 7" for easy access
- For use in 24" deep cabinets or cabinets with RD-23 through RD-14

STB

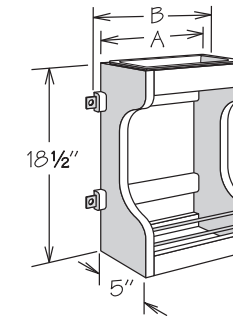
Cutting Board Door Rack Kit



- Field installation accessory
- Natural finish solid wood with chrome rails
- Cannot be used with sliding shelves
- Full-depth shelf must be field trimmed to half-depth
- Solid wood cutting board is NOT dishwasher safe
- Cutting board measures 15¹/₈" x 10⁹/₁₆" x 1³/₁₆"
- CBDRK18 mounts to 18" or 19" wide base door
- Not sized to fit Deep Sink Base (DSB) cabinet doors

CBDRK18

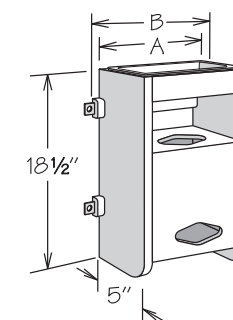
Sink Base Door Storage Unit



- Field installation accessory
- Natural finish solid wood
- Two fixed shelves
- Cannot be used with sliding shelves
- Full-depth shelf must be field trimmed to half-depth
- Removable white plastic tray is NOT dishwasher safe
- SBDSU15 mounts to 15" or 16" wide base door
- SBDSU18 mounts to 18" or 19" wide base door
- Not sized to fit Deep Sink Base (DSB) cabinet doors

	A	B
SBDSU15	9"	10 1/2"
SBDSU18	10 1/2"	13 1/2"

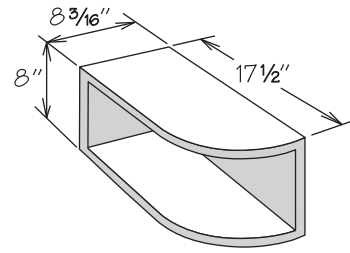
Plastic Bag Door Storage Unit



- Field installation accessory
- Natural finish solid wood and wood veneer
- Cannot be used with sliding shelves
- Full-depth shelf must be field trimmed to half-depth
- Removable white plastic tray is NOT dishwasher safe
- PBDSU15 mounts to 15" or 16" wide base door
- PBDSU18 mounts to 18" or 19" wide base door
- Not sized to fit Deep Sink Base (DSB) cabinet doors

	A	B
PBDSU15	9"	10 1/2"
PBDSU18	10 1/2"	13 1/2"

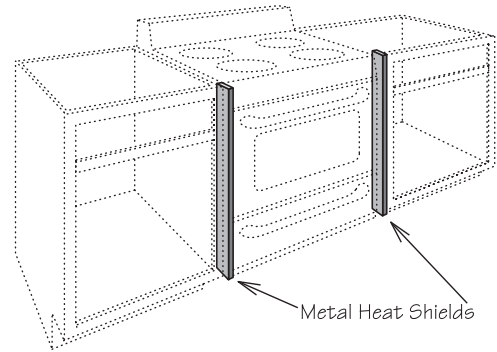
Sink Base Multi-Storage Shelf



- Field installation accessory
- 3/4" plywood with natural finish
- Invert for left or right installation

SBMSS

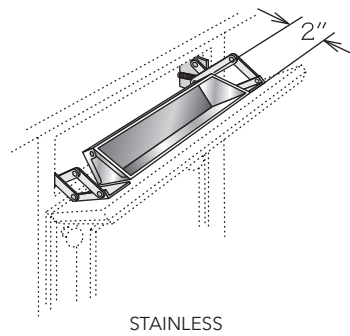
Heat Shield Kit



- Field installation accessory
- For use on Andover Thermofoil only
- Protects doors and drawer fronts from adjacent heat source (built-in ovens, under counter ovens, drop-in, or free-standing ranges)
- Kit features: two 1/16" metal heat shields finished to match cabinet exterior and one strip of wood QM8 WD molding shield (not required for base installation)

HSK

Tilt-Out Tray Kit



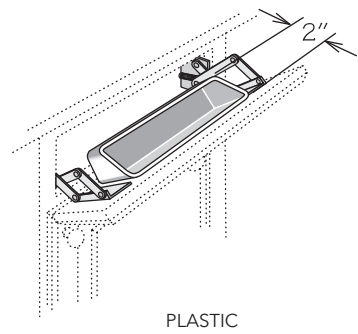
- Field installation accessory
- Kit features tray and one pair of scissor hinges
- Order units individually
- STO TRAY 11:
 - » Order one unit for SB18
 - » Order two units for SB33 or SB36
- STO TRAY 14:
 - » Order one unit for SB21, SB24, SB27, or CSF42
 - » Order two units for SB39, SB42, or SB48
- STO TRAY 22:
 - » Order one unit for SB30
- Sink front units match sink base sizes as noted above
- Tilt-Out Trays are NOT dishwasher safe

STAINLESS

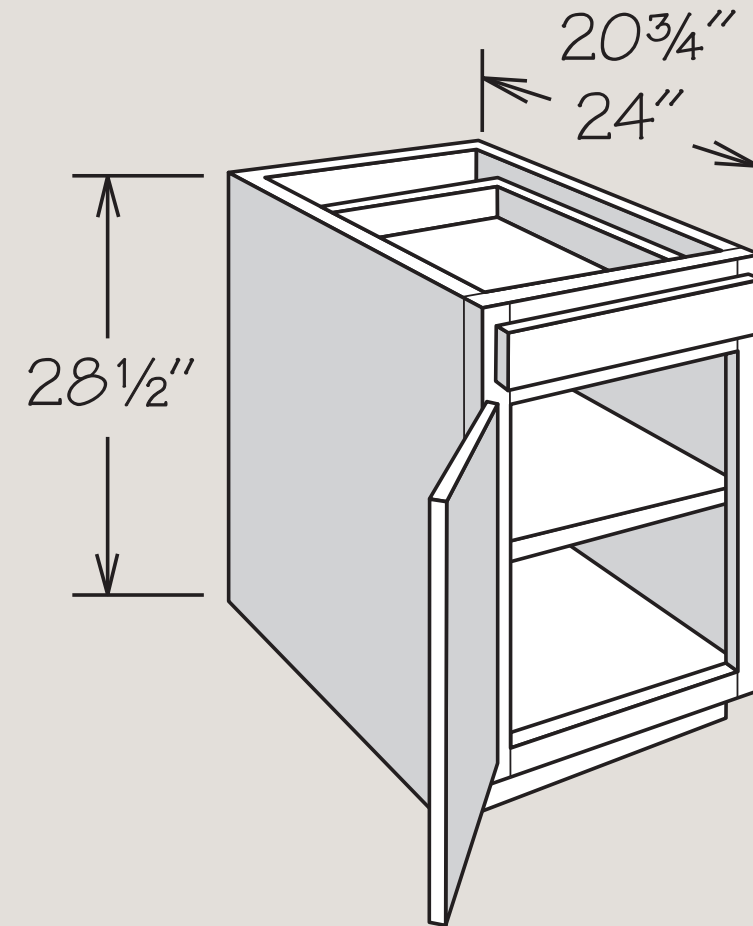
STO TRAY 11
STO TRAY 14
STO TRAY 22

PLASTIC

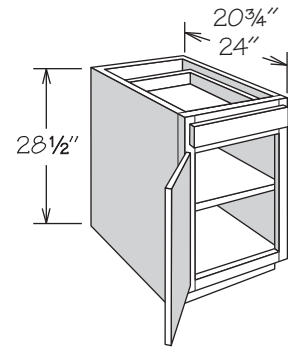
TO TRAY 11
TO TRAY 14
TO TRAY 22



DESK CABINETS & BOOKSHELVES



Desk Cabinet + 1 Door and 1 Drawer



- One full-depth adjustable shelf
- May be accessorized with one sliding shelf
- Recommend mounting sliding shelf on cabinet floor (order separately)

CFO
RD
RTK

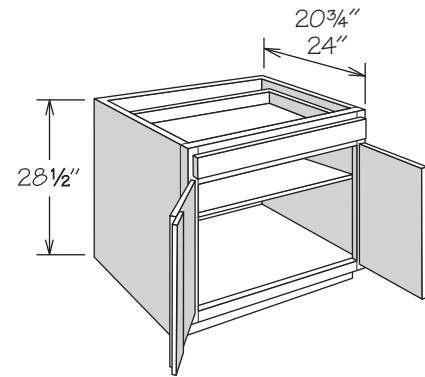
21" DEEP

DDO1221
DDO1521
DDO1821
DDO2121

24" DEEP

DDO1224
DDO1524
DDO1824
DDO2124

Desk Cabinet + 2 Doors with Batten and 1 Drawer



- Left door with batten
- One full-depth adjustable shelf
- May be accessorized with one sliding shelf
- Recommend mounting sliding shelf on cabinet floor (order separately)

CFO
RD
RTK

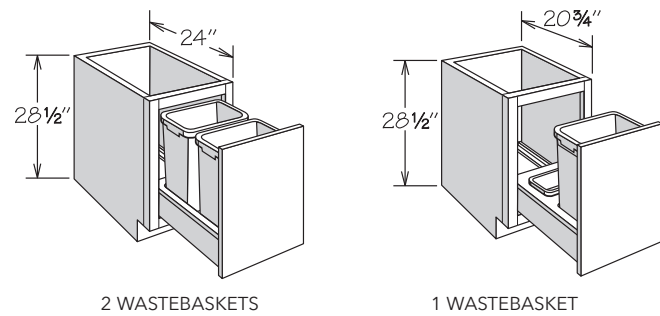
21" DEEP

DDO2421

24" DEEP

DDO2424

Desk Cabinet + 1 Door with Wastebasket Pull-Out



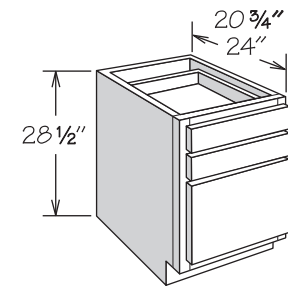
- Full-height door
- Wastebasket rests in a natural finish wood frame
- Wastebasket pull-out features heavy-duty, full-extension, 132-pound rated glides
- DWBB1824 features two silver plastic 35-quart capacity bins
- DWBB1821 features one silver plastic 35-quart capacity bin and bag storage tray at rear (not dishwasher safe)
- Decorative hardware strongly recommended

RTK

24" DEEP • 2 WASTEBASKETS
DWBB1824

21" DEEP • 1 WASTEBASKET
DWBB1821

Desk Drawer Cabinet + 3 Drawers



- One large and two standard drawers
- Large drawer cannot be used as a file drawer

CFO
RD
RTK

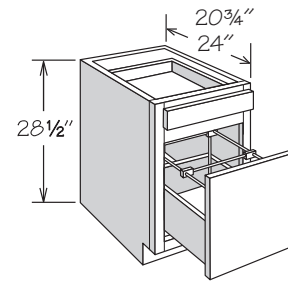
21" DEEP

DDR1221
DDR1521
DDR1821
DDR2121
DDR2421

24" DEEP

DDR1224
DDR1524
DDR1824
DDR2124
DDR2424

Desk File Pull-Out Cabinet + 1 Door Pull-Out and 1 Drawer



- One standard top drawer
- Features one natural maple drawer body attached to door pull-out
- File system packaged separately for field installation
- Will accept letter or legal-size hanging files

RTK

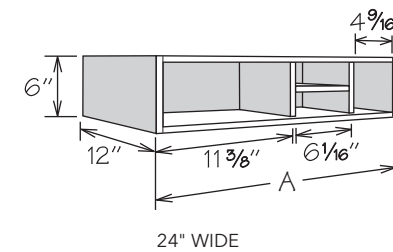
24" DEEP

DFDC1824

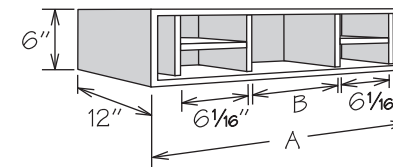
21" DEEP

DFDC1821

Shelf Under Cabinet Organizer



24" WIDE

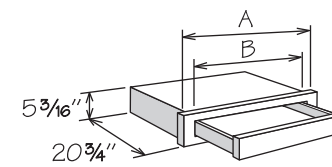


27" AND 30" WIDE

- SUCO24 installs below 24" wide wall cabinet
- SUCO27 installs below 27" wide wall cabinet
- SUCO30 installs below 30" wide wall cabinet
- All door styles feature 1/2" veneered engineered wood to match cabinet exterior
- Flush sides with no face frame or 1/4" reveals
- Opening is 5" high

	A	B
SUCO24	24"	-
SUCO27	27"	8 7/8"
SUCO30	30"	11 3/8"

Kneehole Drawer Cabinet

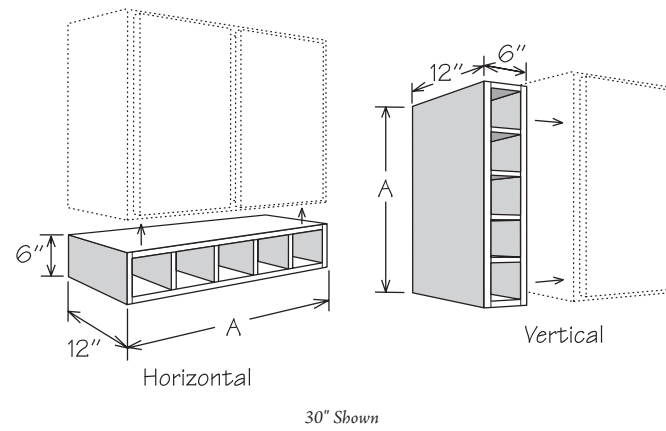


- Designed for desk or vanity application
- Field trimmable in height to 4 3/4"
- Field trimmable in depth to 18" or available with RD-20 through RD-12

RD

	A	B	MAX. TRIM
KDC27/21	27"	17 3/4"	21" (3" each side)
KDC33/27	33"	23 3/4"	27" (3" each side)
KDC36/33	36"	29 3/4"	33" (1 1/2" each side)

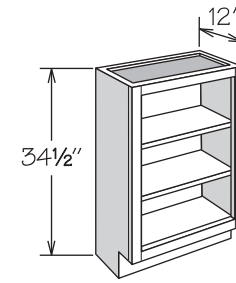
Storage Cube



- Designed for horizontal or vertical installation
- Vertical installation may require the use of fillers and/or molding which must be ordered separately
- Opening size is 5" wide x 4 1/2" high (horizontal) which will accommodate most envelopes and various other office supplies
- All door styles feature 3/4" veneered engineered wood finished to match cabinet exterior
- Flush sides with no face frame or 1/4" reveals
- Interior finished to match cabinet exterior
- Cannot be retrofitted with Spice Drawer Cabinet drawers

	A	NUMBER OF OPENINGS
SC30	30"	5
SC36	36"	6
SC42	42"	7

Base Bookshelf

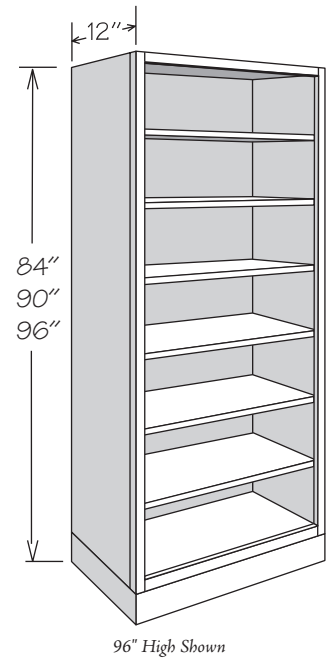


- Interior finished to match cabinet exterior
- 3/4" adjustable shelves packaged separately

ID
RD
RTK

12" DEEP
34 1/2"H • 2 shelves
 BS2434

Tall Bookshelf

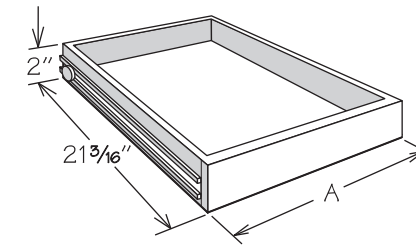


- Interior finished to match cabinet exterior
- Flush furniture toe kick - shipped unattached on 96" high bookshelves
- 3/4" adjustable shelves packaged separately

ID
RD

12" DEEP	
96"H • 6 shelves	84"H • 5 shelves
BS1896	BS1884
BS2496	BS2484
BS3096	BS3084
BS3696	BS3684
90"H • 6 shelves	
BS1890	
BS2490	
BS3090	
BS3690	

Sliding Shelf Kit

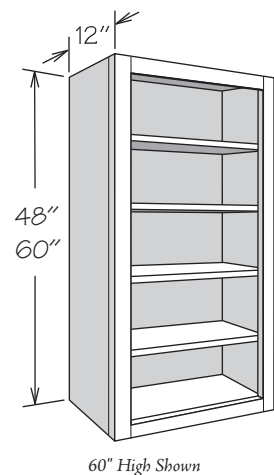


- Field installation accessory
- Engineered wood drawer with solid hardwood front, MDF bottom, and side-mounted drawer glides
- Includes sliding shelf, all glide hardware and instructions
- SSKs can be used with all single and double door base cabinets
- SSK drill template is required for all double door cabinets that have fixed center stile - contact Customer Care for drill template

RD

SLIDING SHELF KIT	A
SSK12	8 1/2"
SSK15	11 1/2"
SSK18	14 1/2"
SSK21	17 1/2"
SSK24	20 1/2"

Wall Bookshelf

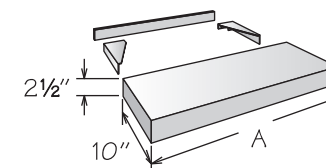


- Interior finished to match cabinet exterior
- 3/4" adjustable shelves packaged separately

ID
RD

12" DEEP	
60"H • 4 shelves	48"H • 3 shelves
BS1860	BS1848
BS2460	BS2448
BS3060	BS3048
BS3660	BS3648

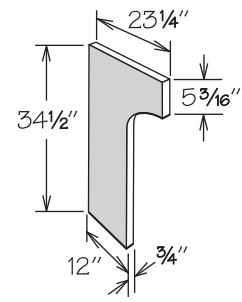
Floating Shelf



- Not trimmable
- Finished on all sides to match cabinet exterior
- Features veneered engineered wood top and bottom and solid wood front and sides
- Must be secured to studs in wall
- Installation instructions, mounting brackets, and screws included

10" DEEP	A	MAX. LOAD
FLSH2410	24"	30 lbs.
FLSH3010	30"	37 lbs.
FLSH3610	36"	45 lbs.
FLSH4210	42"	52 lbs.
FLSH4810	48"	60 lbs.

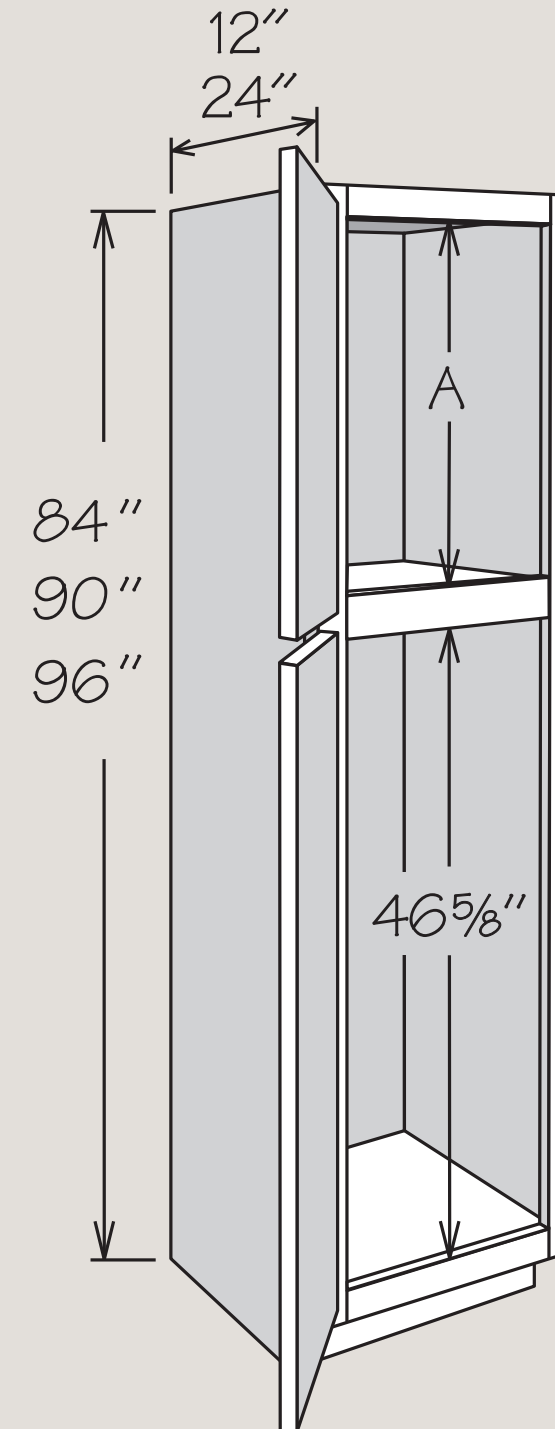
Desk End Panel



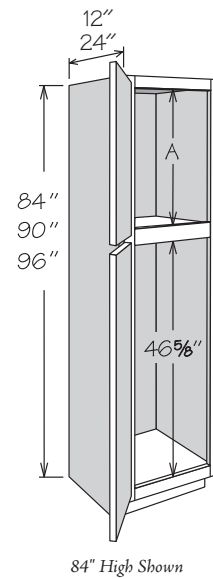
- All door styles feature 3/4" veneered engineered wood finished to match cabinet exterior on both sides
- Recommend QM8 WD be ordered for installation to ensure proper attachment to wall
- Field trimmable

DEP

TALL CABINETS



Utility Cabinet + 2 Doors



- Shelving and optional interior accessories may be ordered separately (refer to Utility Cabinet Accessories for details)
- Cabinet backs are pre-drilled to accept up to four sliding shelves in lower section
- 4" inset toe kick assembly shipped inside 96" high cabinet
- Specialty Door cabinets (SD) feature Matching Interior standard and require a specialty door selection
- Must be ordered as hinged left or right
- Bottom door will have a center rail except for Andover Thermofoil

CFO
MI
RD

	A
84" High	26 7/8"
90" High	32 7/8"
96" High	38 7/8"

12" DEEP

- 96"H**
- UT1512 X 96
 - UT1812 X 96
 - UT1512 X 96 SD
 - UT1812 X 96 SD

- 90"H**
- UT1512 X 90
 - UT1812 X 90
 - UT1512 X 90 SD
 - UT1812 X 90 SD

- 84"H**
- UT1212 X 84
 - UT1512 X 84
 - UT1812 X 84
 - UT1212 X 84 SD
 - UT1512 X 84 SD
 - UT1812 X 84 SD

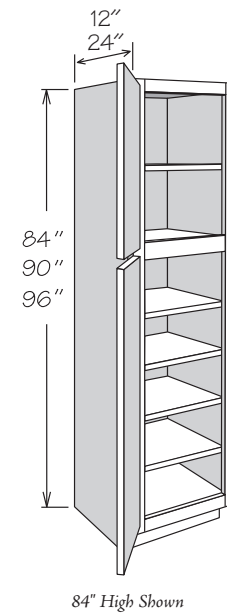
24" DEEP

- 96"H**
- UT1524 X 96
 - UT1824 X 96
 - UT1524 X 96 SD
 - UT1824 X 96 SD

- 90"H**
- UT1524 X 90
 - UT1824 X 90
 - UT1524 X 90 SD
 - UT1824 X 90 SD

- 84"H**
- UT1224 X 84
 - UT1524 X 84
 - UT1824 X 84
 - UT1224 X 84 SD
 - UT1524 X 84 SD
 - UT1824 X 84 SD

Utility Cabinet + 2 Doors and Adjustable Shelves



- Full-depth adjustable shelves are 3/4" engineered wood and edge banded on front edge only
- Lower section features 4 adjustable shelves
- All shelving packaged separately for field installation
- 4" inset toe kick assembly shipped inside 96" high cabinet
- Specialty Door cabinets (SD) feature Matching Interior standard and require a specialty door selection
- Must be ordered as hinged left or right
- Bottom door will have a center rail except for Andover Thermofoil

MI
RD

12" DEEP

- 96"H • 3 Top Shelves**
- UT1512 X 96 AS
 - UT1812 X 96 AS
 - UT1512 X 96 AS SD
 - UT1812 X 96 AS SD

- 90"H • 2 Top Shelves**
- UT1512 X 90 AS
 - UT1812 X 90 AS
 - UT1512 X 90 AS SD
 - UT1812 X 90 AS SD

- 84"H • 1 Top Shelf**
- UT1212 X 84 AS
 - UT1512 X 84 AS
 - UT1812 X 84 AS
 - UT1212 X 84 AS SD
 - UT1512 X 84 AS SD
 - UT1812 X 84 AS SD

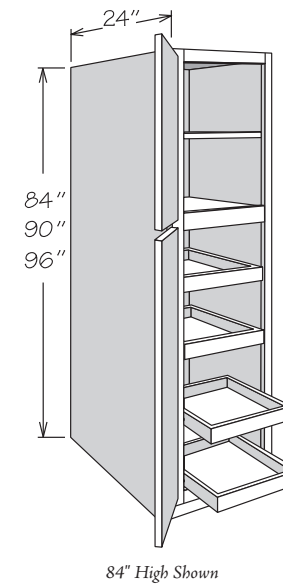
24" DEEP

- 96"H • 3 Top Shelves**
- UT1524 X 96 AS
 - UT1824 X 96 AS
 - UT1524 X 96 AS SD
 - UT1824 X 96 AS SD

- 90"H • 2 Top Shelves**
- UT1524 X 90 AS
 - UT1824 X 90 AS
 - UT1524 X 90 AS SD
 - UT1824 X 90 AS SD

- 84"H • 1 Top Shelf**
- UT1224 X 84 AS
 - UT1524 X 84 AS
 - UT1824 X 84 AS
 - UT1224 X 84 AS SD
 - UT1524 X 84 AS SD
 - UT1824 X 84 AS SD

Utility Cabinet + 2 Doors and Sliding Shelves



- Full-depth adjustable shelves are 3/4" engineered wood and edge banded on front edge only
- Lower section features 4 sliding shelves
- All shelving and sliding shelves packaged separately for field installation
- 4" inset toe kick assembly shipped inside 96" high cabinet
- Engineered wood sliding shelves included for all construction types
- Natural finish dovetail drawer, MDF bottom, and side-mounted drawer glides
- Specialty Door cabinets (SD) feature Matching Interior standard and require a specialty door selection
- Must be ordered as hinged left or right
- Bottom door will have a center rail except for Andover Thermofoil

MI
RD

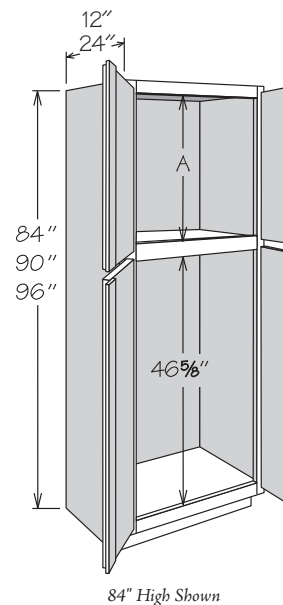
24" DEEP

- 96"H • 3 Top Shelves**
- UT1524 X 96 4SSK
 - UT1824 X 96 4SSK
 - UT1524 X 96 4SSK SD
 - UT1824 X 96 4SSK SD

- 90"H • 2 Top Shelves**
- UT1524 X 90 4SSK
 - UT1824 X 90 4SSK
 - UT1524 X 90 4SSK SD
 - UT1824 X 90 4SSK SD

- 84"H • 1 Top Shelf**
- UT1224 X 84 4SSK
 - UT1524 X 84 4SSK
 - UT1824 X 84 4SSK
 - UT1224 X 84 4SSK SD
 - UT1524 X 84 4SSK SD
 - UT1824 X 84 4SSK SD

Utility Cabinet + 4 Doors with Batten



- Left doors with batten
- Shelving and optional interior accessories may be ordered separately (refer to Utility Cabinet Accessories for details)
- Cabinet backs are pre-drilled to accept up to four sliding shelves
- 4" inset toe kick assembly shipped inside 96" high cabinet
- Specialty Door cabinets (SD) feature Matching Interior standard and require a specialty door selection
- Bottom doors will have a center rail except for Andover Thermofoil

CFO
MI
RD

	A
84" High	26 7/8"
90" High	32 7/8"
96" High	38 7/8"

12" DEEP

- 96"H**
- UT2412 X 96
 - UT2412 X 96 SD

- 90"H**
- UT2412 X 90
 - UT2412 X 90 SD

- 84"H**
- UT2412 X 84
 - UT2412 X 84 SD

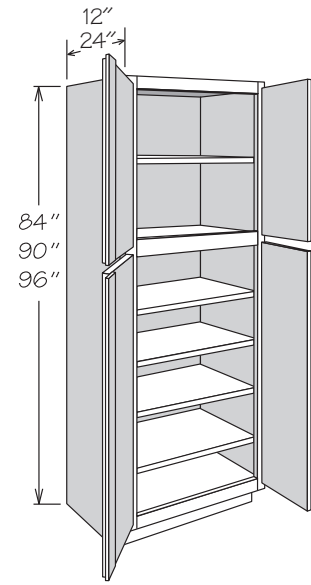
24" DEEP

- 96"H**
- UT2424 X 96
 - UT3024 X 96
 - UT3624 X 96
 - UT2424 X 96 SD
 - UT3024 X 96 SD
 - UT3624 X 96 SD

- 90"H**
- UT2424 X 90
 - UT3024 X 90
 - UT3624 X 90
 - UT2424 X 90 SD
 - UT3024 X 90 SD
 - UT3624 X 90 SD

- 84"H**
- UT2424 X 84
 - UT3024 X 84
 - UT3624 X 84
 - UT2424 X 84 SD
 - UT3024 X 84 SD
 - UT3624 X 84 SD

Utility Cabinet + 4 Doors with Battens and Adjustable Shelves



84" High Shown

- Left doors with batten
- Full-depth adjustable shelves are 3/4" engineered wood and edge banded on front edge only
- Lower section features 4 adjustable shelves
- All shelving packaged separately for field installation
- 4" inset toe kick assembly shipped inside 96" high cabinet
- Specialty Door cabinets (SD) feature Matching Interior standard and require a specialty door selection
- Bottom doors will have a center rail except for Andover Thermofoil

MI ■
RD

12" DEEP

96"H • 3 Top Shelves

UT2412 X 96 AS ■
UT2412 X 96 AS SD

90"H • 2 Top Shelves

UT2412 X 90 AS ■
UT2412 X 90 AS SD

84"H • 1 Top Shelf

UT2412 X 84 AS ■
UT2412 X 84 AS SD

24" DEEP

96"H • 3 Top Shelves

UT2424 X 96 AS ■
UT3024 X 96 AS ■
UT3624 X 96 AS ■

UT2424 X 96 AS SD
UT3024 X 96 AS SD
UT3624 X 96 AS SD

90"H • 2 Top Shelves

UT2424 X 90 AS ■
UT3024 X 90 AS ■
UT3624 X 90 AS ■

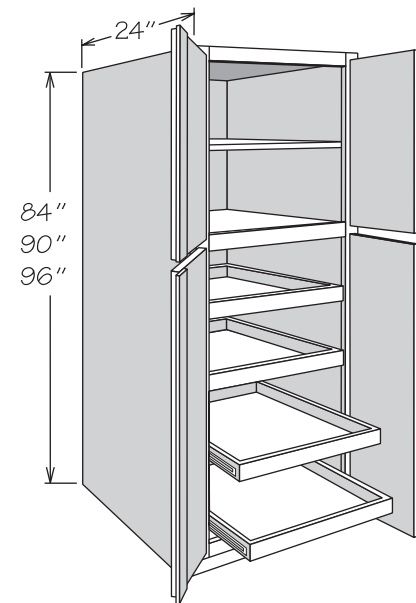
UT2424 X 90 AS SD
UT3024 X 90 AS SD
UT3624 X 90 AS SD

84"H • 1 Top Shelf

UT2424 X 84 AS ■
UT3024 X 84 AS ■
UT3624 X 84 AS ■

UT2424 X 84 AS SD
UT3024 X 84 AS SD
UT3624 X 84 AS SD

Utility Cabinet + 4 Doors with Battens and Sliding Shelves



84" High Shown

- Left doors with batten
- Full-depth adjustable shelves are 3/4" engineered wood and edge banded on front edge only
- Lower section features 4 sliding shelves
- All shelving and sliding shelves packaged separately for field installation
- 4" inset toe kick assembly shipped inside 96" high cabinet
- Engineered wood sliding shelves included for all construction types
- Natural finish dovetail drawer, MDF bottom, and side-mounted drawer glides
- Specialty Door cabinets (SD) feature Matching Interior standard and require a specialty door selection
- Bottom doors will have a center rail except for Andover Thermofoil

MI ■
RD

24" DEEP

96"H • 3 Top Shelves

UT2424 X 96 4SSK ■
UT3024 X 96 4SSK ■
UT3624 X 96 4SSK ■

UT2424 X 96 4SSK SD
UT3024 X 96 4SSK SD
UT3624 X 96 4SSK SD

90"H • 2 Top Shelves

UT2424 X 90 4SSK ■
UT3024 X 90 4SSK ■
UT3624 X 90 4SSK ■

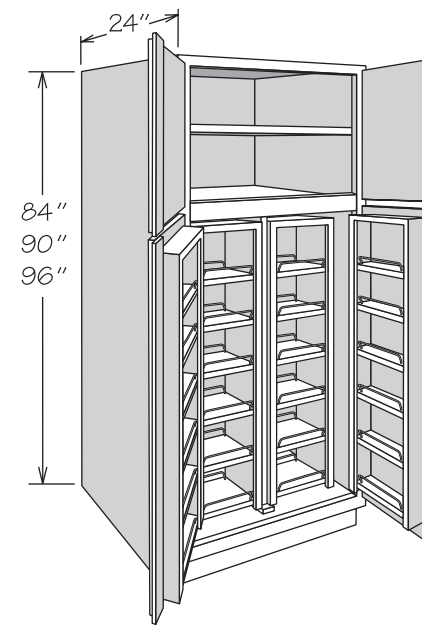
UT2424 X 90 4SSK SD
UT3024 X 90 4SSK SD
UT3624 X 90 4SSK SD

84"H • 1 Top Shelf

UT2424 X 84 4SSK ■
UT3024 X 84 4SSK ■
UT3624 X 84 4SSK ■

UT2424 X 84 4SSK SD
UT3024 X 84 4SSK SD
UT3624 X 84 4SSK SD

Utility Cabinet + 4 Doors with Battens and Pantry Storage



84" High Shown

- Left doors with batten
- Accessories and shelving packaged separately for field installation and include:
 - » Pantry Swing-Out Kit (PCSK36)
 - » Two Pantry Door Shelf Kits (PDSK18)
 - » Utility Cabinet Shelf and Pilaster Kit (PSK36)
- Full-depth adjustable shelves are 3/4" engineered wood and edge banded on front edge only
- 4" inset toe kick assembly shipped inside 96" high cabinet
- Minimum filler width of 4 1/2" recommended for installation of this cabinet next to deeper adjacent objects including cabinets, walls, appliances, and countertops
- Specialty Door cabinets (SD) feature Matching Interior standard and require a specialty door selection
- Bottom doors will have a center rail except for Andover Thermofoil

MI ■

24" DEEP

96"H • 3 Top Shelves

UT3624 X 96 PCDS ■
UT3624 X 96 PCDS SD

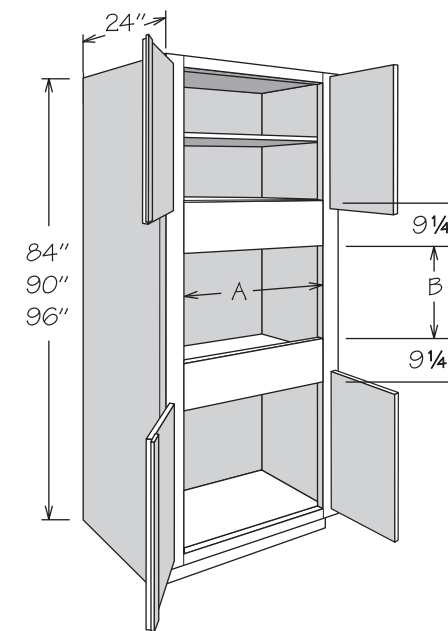
90"H • 2 Top Shelves

UT3624 X 90 PCDS ■
UT3624 X 90 PCDS SD

84"H • 1 Top Shelf

UT3624 X 84 PCDS ■
UT3624 X 84 PCDS SD

Single Oven Cabinet + 4 Doors with Battens



90" High Shown

- Features a solid back
- Left doors with batten
- 3/8" stiles
- All door styles feature face-mount hinges
- Full-depth adjustable shelves and 3/4" engineered wood and edge banded on front edge only where applicable
- Shelves packaged separately for field installation
- Order Oven Support Shelf (OSS_) separately
- Refer to appliance manufacturer's specifications for adequate clearances and required installation materials

CFO
RD

A ACTUAL A MAX. B ACTUAL B MAX.

96"H • 3 Top Shelves

OVS2796 AS	20 3/4"	25"	22 1/4"	37 3/8"
OVS3096 AS	23 3/4"	28"	22 1/4"	37 3/8"
OVS3396 AS	26 3/4"	31"	22 1/4"	37 3/8"

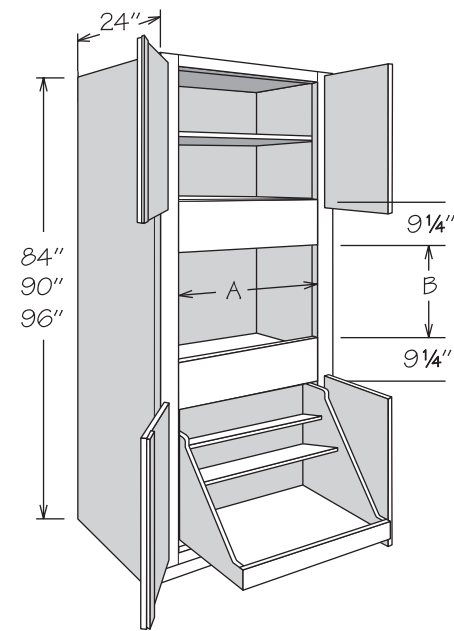
90"H • 1 Top Shelf

OVS2790 AS	20 3/4"	25"	21 3/4"	37"
OVS3090 AS	23 3/4"	28"	21 3/4"	37"
OVS3390 AS	26 3/4"	31"	21 3/4"	37"

84"H • No Shelf

OVS2784	20 3/4"	25"	22 1/4"	37 3/8"
OVS3084	23 3/4"	28"	22 1/4"	37 3/8"
OVS3384	26 3/4"	31"	22 1/4"	37 3/8"

Single Oven Cabinet + 4 Doors with Battens and Pot & Pan Organizer



90" High Shown

- Features a solid back
- Left doors with batten
- 3/8" stiles
- All door styles feature face-mount hinges
- Shelving and Pot & Pan Organizer packaged separately for field installation
- Organizer in natural finish solid wood and wood veneer with dovetail construction and full-extension drawer glides
- Organizer top shelf measures 6 3/8" deep
- Organizer middle shelf measures 9 3/4" deep
- Order Oven Support Shelf (OSS_) separately
- Refer to appliance manufacturer's specifications for adequate clearances and required installation materials

A ACTUAL A MAX. B ACTUAL B MAX.

96"H • 3 Top Shelves

OVS2796 FABPPO	20 3/4"	25"	22 1/8"	37 3/8"
OVS3096 FABPPO	23 3/4"	28"	22 1/8"	37 3/8"
OVS3396 FABPPO	26 3/4"	31"	22 1/8"	37 3/8"

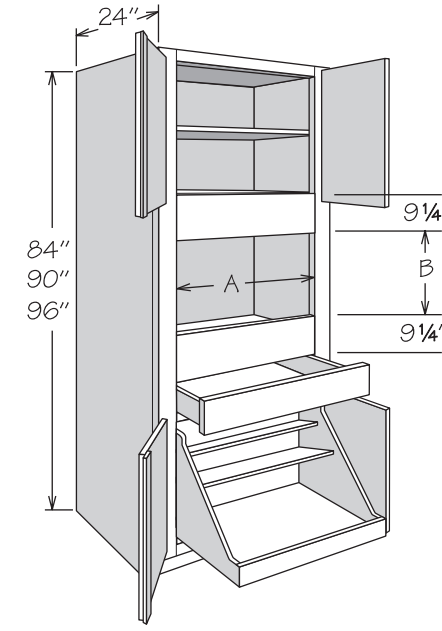
90"H • 1 Top Shelf

OVS2790 FABPPO	20 3/4"	25"	21 3/4"	37"
OVS3090 FABPPO	23 3/4"	28"	21 3/4"	37"
OVS3390 FABPPO	26 3/4"	31"	21 3/4"	37"

84"H • No Shelf

OVS2784 FABPPO	20 3/4"	25"	22 1/8"	37 3/8"
OVS3084 FABPPO	23 3/4"	28"	22 1/8"	37 3/8"
OVS3384 FABPPO	26 3/4"	31"	22 1/8"	37 3/8"

Single Oven Cabinet + 4 Doors with Battens, 1 Drawer and Pot & Pan Organizer



90" High Shown

- Features a solid back
- Left doors with batten
- 3/8" stiles
- All door styles feature face-mount hinges
- Full-depth adjustable shelves and 3/4" engineered wood and edge banded on front edge only where applicable
- Shelving and Pot & Pan Organizer packaged separately for field installation
- Organizer in natural finish solid wood and wood veneer with dovetail construction and full-extension drawer glides
- Organizer top shelf measures 6 3/8" deep
- Order Oven Support Shelf (OSS_) separately
- Refer to appliance manufacturer's specifications for adequate clearances and required installation materials

A ACTUAL A MAX. B ACTUAL B MAX.

96"H • 3 Top Shelves

OVS2796 1DWR FABPPO	20 3/4"	25"	16 1/8"	31 3/8"
OVS3096 1DWR FABPPO	23 3/4"	28"	16 1/8"	31 3/8"
OVS3396 1DWR FABPPO	26 3/4"	31"	16 1/8"	31 3/8"

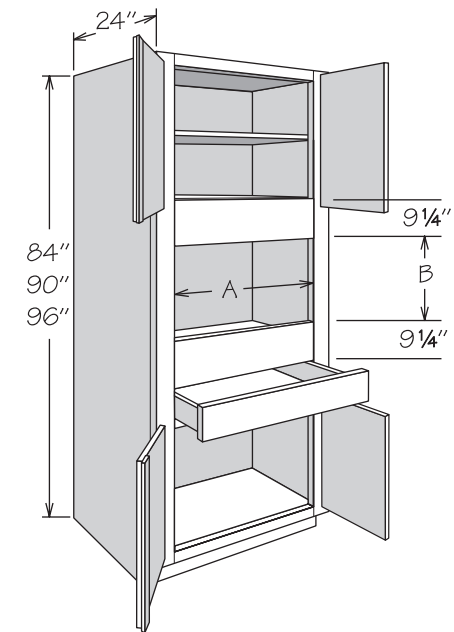
90"H • 1 Top Shelf

OVS2790 1DWR FABPPO	20 3/4"	25"	15 3/4"	31"
OVS3090 1DWR FABPPO	23 3/4"	28"	15 3/4"	31"
OVS3390 1DWR FABPPO	26 3/4"	31"	15 3/4"	31"

84"H • No Shelf

OVS2784 1DWR FABPPO	20 3/4"	25"	16 1/8"	31 3/8"
OVS3084 1DWR FABPPO	23 3/4"	28"	16 1/8"	31 3/8"
OVS3384 1DWR FABPPO	26 3/4"	31"	16 1/8"	31 3/8"

Single Oven Cabinet + 4 Doors with Battens and 1 Drawer



90" High Shown

- Features a solid back
- Left doors with batten
- 3/8" stiles
- All door styles feature face-mount hinges
- One standard drawer
- Full-depth adjustable shelves and 3/4" engineered wood and edge banded on front edge only where applicable
- Shelves packaged separately for field installation
- Order Oven Support Shelf (OSS_) separately
- Refer to appliance manufacturer's specifications for adequate clearances and required installation materials

CFO
RD

A ACTUAL A MAX. B ACTUAL B MAX.

96"H • 3 Top Shelves

OVS2796 AS 1DWR	20 3/4"	25"	16 1/8"	31 3/8"
OVS3096 AS 1DWR	23 3/4"	28"	16 1/8"	31 3/8"
OVS3396 AS 1DWR	26 3/4"	31"	16 1/8"	31 3/8"

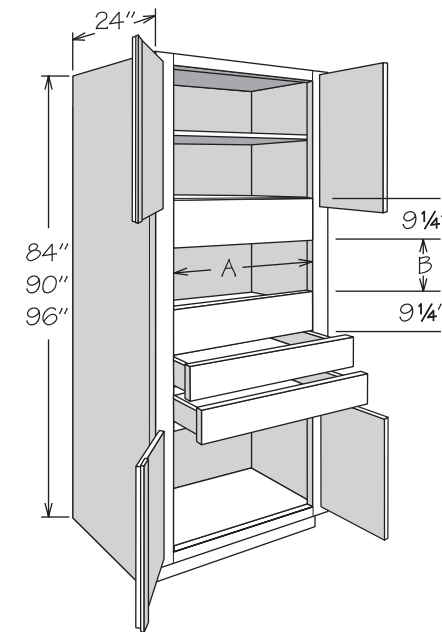
90"H • 1 Top Shelf

OVS2790 AS 1DWR	20 3/4"	25"	15 3/4"	31"
OVS3090 AS 1DWR	23 3/4"	28"	15 3/4"	31"
OVS3390 AS 1DWR	26 3/4"	31"	15 3/4"	31"

84"H • No Shelf

OVS2784 1DWR	20 3/4"	25"	16 1/8"	31 3/8"
OVS3084 1DWR	23 3/4"	28"	16 1/8"	31 3/8"
OVS3384 1DWR	26 3/4"	31"	16 1/8"	31 3/8"

Single Oven Cabinet + 4 Doors with Battens and 2 Drawers



90" High Shown

- Features a solid back
- Left doors with batten
- 3/8" stiles
- Two standard drawers
- Full-depth adjustable shelves and 3/4" engineered wood and edge banded on front edge only where applicable
- Shelves packaged separately for field installation
- All door styles feature face-mount hinges
- Order Oven Support Shelf (OSS_) separately
- Refer to appliance manufacturer's specifications for adequate clearances and required installation materials

CFO
RD

A ACTUAL A MAX. B ACTUAL B MAX.

96"H • 3 Top Shelves

OVS2796 AS 2DWR	20 3/4"	25"	10 1/8"	25 3/8"
OVS3096 AS 2DWR	23 3/4"	28"	10 1/8"	25 3/8"
OVS3396 AS 2DWR	26 3/4"	31"	10 1/8"	25 3/8"

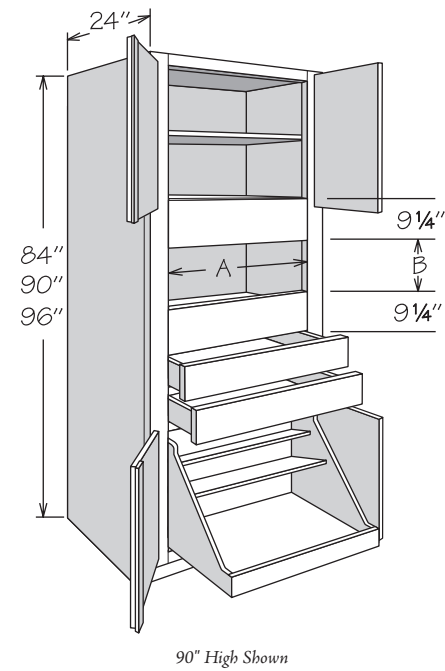
90"H • 1 Top Shelf

OVS2790 AS 2DWR	20 3/4"	25"	9 3/4"	25"
OVS3090 AS 2DWR	23 3/4"	28"	9 3/4"	25"
OVS3390 AS 2DWR	26 3/4"	31"	9 3/4"	25"

84"H • No Shelf

OVS2784 2DWR	20 3/4"	25"	10 1/8"	25 3/8"
OVS3084 2DWR	23 3/4"	28"	10 1/8"	25 3/8"
OVS3384 2DWR	26 3/4"	31"	10 1/8"	25 3/8"

Single Oven Cabinet + 4 Doors with Battens, 2 Drawers and Pot & Pan Organizer

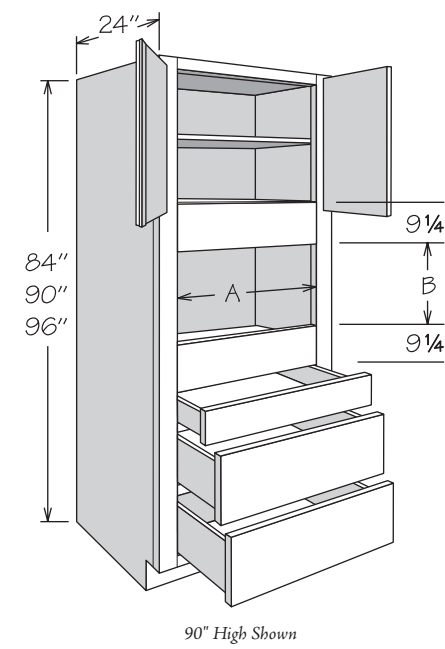


- Features a solid back
- Left doors with batten
- 3/8" stiles
- Two standard drawers
- Shelving and Pot & Pan Organizer packaged separately for field installation
- Organizer in natural finish solid wood and wood veneer with dovetail construction and full-extension drawer glides
- Organizer top shelf measures 6 5/16" deep
- Full-depth adjustable shelves and 3/4" engineered wood and edge banded on front edge only where applicable
- All door styles feature face-mount hinges
- Order Oven Support Shelf (OSS_) separately
- Refer to appliance manufacturer's specifications for adequate clearances and required installation materials

A ACTUAL A MAX. B ACTUAL B MAX.

	A ACTUAL	A MAX.	B ACTUAL	B MAX.
96"H • 3 Top Shelves				
OVS2796 2DWR FABPPO	20 3/4"	25"	10 1/8"	25 3/8"
OVS3096 2DWR FABPPO	23 3/4"	28"	10 1/8"	25 3/8"
OVS3396 2DWR FABPPO	26 3/4"	31"	10 1/8"	25 3/8"
90"H • 1 Top Shelf				
OVS2790 2DWR FABPPO	20 3/4"	25"	9 3/4"	25"
OVS3090 2DWR FABPPO	23 3/4"	28"	9 3/4"	25"
OVS3390 2DWR FABPPO	26 3/4"	31"	9 3/4"	25"
84"H • No Shelf				
OVS2784 2DWR FABPPO	20 3/4"	25"	10 1/8"	25 3/8"
OVS3084 2DWR FABPPO	23 3/4"	28"	10 1/8"	25 3/8"
OVS3384 2DWR FABPPO	26 3/4"	31"	10 1/8"	25 3/8"

Single Oven Cabinet + 2 Doors with Batten and 3 Drawers



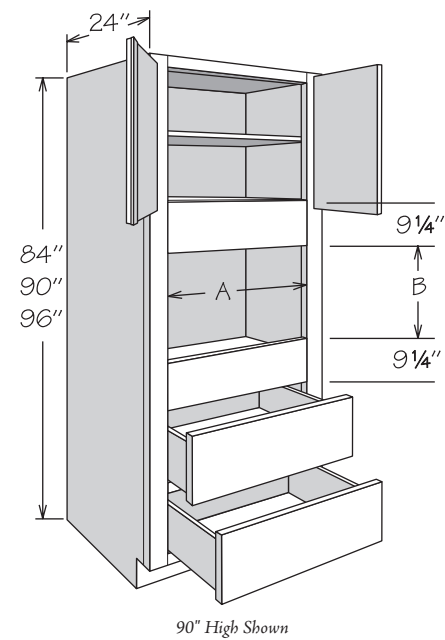
- Features a solid back
- Left door with batten
- 3/8" stiles
- All door styles feature face-mount hinges
- One standard and two large drawers
- Full-depth adjustable shelves and 3/4" engineered wood and edge banded on front edge only where applicable
- Shelves packaged separately for field installation
- Order Oven Support Shelf (OSS_) separately
- Refer to appliance manufacturer's specifications for adequate clearances and required installation materials

CFO
RD

A ACTUAL A MAX. B ACTUAL B MAX.

	A ACTUAL	A MAX.	B ACTUAL	B MAX.
96"H • 3 Top Shelves				
OVS2796 AS 3DWR	20 3/4"	25"	16 1/8"	31 3/8"
OVS3096 AS 3DWR	23 3/4"	28"	16 1/8"	31 3/8"
OVS3396 AS 3DWR	26 3/4"	31"	16 1/8"	31 3/8"
90"H • 1 Top Shelf				
OVS2790 AS 3DWR	20 3/4"	25"	15 3/4"	31"
OVS3090 AS 3DWR	23 3/4"	28"	15 3/4"	31"
OVS3390 AS 3DWR	26 3/4"	31"	15 3/4"	31"
84"H • No Shelf				
OVS2784 3DWR	20 3/4"	25"	16 1/8"	31 3/8"
OVS3084 3DWR	23 3/4"	28"	16 1/8"	31 3/8"
OVS3384 3DWR	26 3/4"	31"	16 1/8"	31 3/8"

Single Oven Cabinet + 2 Doors with Batten and 2 Drawers



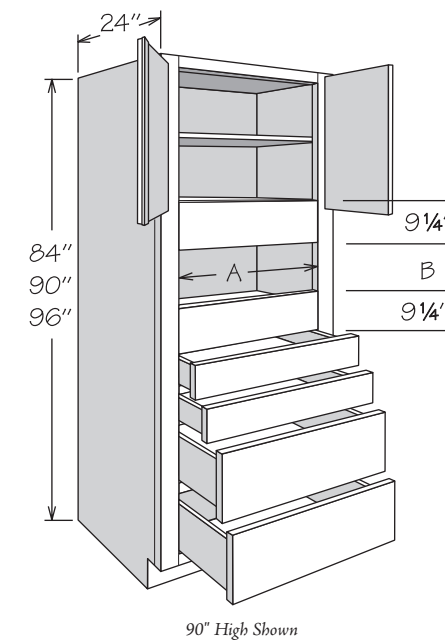
- Features a solid back
- Left door with batten
- 3/8" stiles
- All door styles feature face-mount hinges
- Order Oven Support Shelf (OSS_) separately
- Refer to appliance manufacturer's specifications for adequate clearances and required installation materials
- Two large drawers
- Drawer body measures 6 15/16" deep
- Reduced Depth minimum is 21"
- Full-depth adjustable shelves and 3/4" engineered wood and edge banded on front edge only where applicable
- Shelves packaged separately for field installation

CFO
RD

A ACTUAL A MAX. B ACTUAL B MAX.

	A ACTUAL	A MAX.	B ACTUAL	B MAX.
96"H • 3 Top Shelves				
OVS2796 AS 2DDWR	20 3/4"	25"	22 1/8"	37 3/8"
OVS3096 AS 2DDWR	23 3/4"	28"	22 1/8"	37 3/8"
OVS3396 AS 2DDWR	26 3/4"	31"	22 1/8"	37 3/8"
90"H • 1 Top Shelf				
OVS2790 AS 2DDWR	20 3/4"	25"	21 3/4"	37"
OVS3090 AS 2DDWR	23 3/4"	28"	21 3/4"	37"
OVS3390 AS 2DDWR	26 3/4"	31"	21 3/4"	37"
84"H • No Shelf				
OVS2784 2DDWR	20 3/4"	25"	22 1/8"	37 3/8"
OVS3084 2DDWR	23 3/4"	28"	22 1/8"	37 3/8"
OVS3384 2DDWR	26 3/4"	31"	22 1/8"	37 3/8"

Single Oven Cabinet + 2 Doors with Batten and 4 Drawers



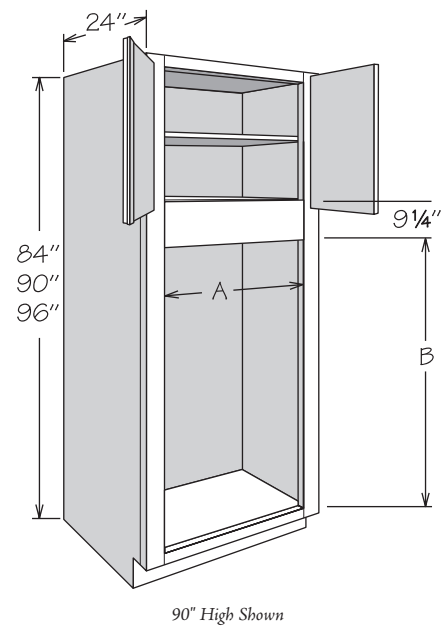
- Features a solid back
- Left door with batten
- 3/8" stiles
- All door styles feature face-mount hinges
- Two standard and two large drawers
- Full-depth adjustable shelves and 3/4" engineered wood and edge banded on front edge only where applicable
- Shelves packaged separately for field installation
- Order Oven Support Shelf (OSS_) separately
- Refer to appliance manufacturer's specifications for adequate clearances and required installation materials

CFO
RD

A ACTUAL A MAX. B ACTUAL B MAX.

	A ACTUAL	A MAX.	B ACTUAL	B MAX.
96"H • 3 Top Shelves				
OVS2796 AS 4DWR	20 3/4"	25"	10 1/8"	25 3/8"
OVS3096 AS 4DWR	23 3/4"	28"	10 1/8"	25 3/8"
OVS3396 AS 4DWR	26 3/4"	31"	10 1/8"	25 3/8"
90"H • 1 Top Shelf				
OVS2790 AS 4DWR	20 3/4"	25"	9 3/4"	25"
OVS3090 AS 4DWR	23 3/4"	28"	9 3/4"	25"
OVS3390 AS 4DWR	26 3/4"	31"	9 3/4"	25"
84"H • No Shelf				
OVS2784 4DWR	20 3/4"	25"	10 1/8"	25 3/8"
OVS3084 4DWR	23 3/4"	28"	10 1/8"	25 3/8"
OVS3384 4DWR	26 3/4"	31"	10 1/8"	25 3/8"

Double Oven Cabinet + 2 Doors with Batten and No Drawer



- Features a solid back
- Left door with batten
- 3 1/8" stiles
- All door styles feature face-mount hinges
- Full-depth adjustable shelves and 3/4" engineered wood and edge banded on front edge only where applicable
- Shelves packaged separately for field installation
- Order Oven Support Shelf (OSS_) separately
- Refer to appliance manufacturer's specifications for adequate clearances and required installation materials

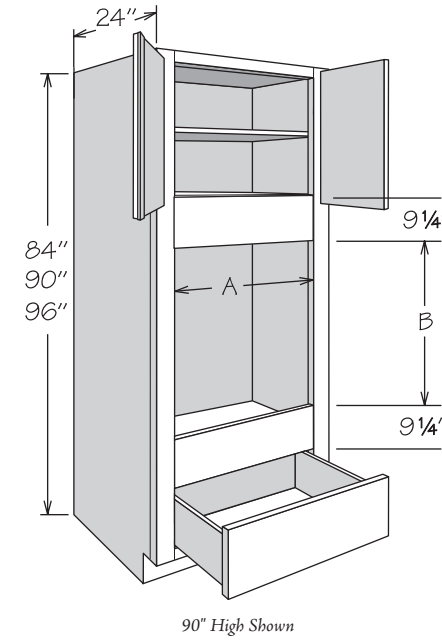
CFO
RD

A ACTUAL A MAX. B ACTUAL B MAX.

	A ACTUAL	A MAX.	B ACTUAL	B MAX.
96"H • 3 Top Shelves				
OVD2796 AS NDWR	20 3/4"	25"	52 5/8"	60 1/4"
OVD3096 AS NDWR	23 3/4"	28"	52 5/8"	60 1/4"
OVD3396 AS NDWR	26 3/4"	31"	52 5/8"	60 1/4"
90"H • 1 Top Shelf				
OVD2790 AS NDWR	20 3/4"	25"	52 1/4"	59 7/8"
OVD3090 AS NDWR	23 3/4"	28"	52 1/4"	59 7/8"
OVD3390 AS NDWR	26 3/4"	31"	52 1/4"	59 7/8"
84"H • No Shelf				
OVD2784 NDWR	20 3/4"	25"	52 5/8"	60 1/4"
OVD3084 NDWR	23 3/4"	28"	52 5/8"	60 1/4"
OVD3384 NDWR	26 3/4"	31"	52 5/8"	60 1/4"

90" High Shown

Double Oven Cabinet + 2 Doors with Batten and 1 Large Drawer



- Features a solid back
- Left door with batten
- 3 1/8" stiles
- One large drawer
- Full-depth adjustable shelves and 3/4" engineered wood and edge banded on front edge only where applicable
- Shelves packaged separately for field installation
- All door styles feature face-mount hinges
- Order Oven Support Shelf (OSS_) separately
- Refer to appliance manufacturer's specifications for adequate clearances and required installation materials

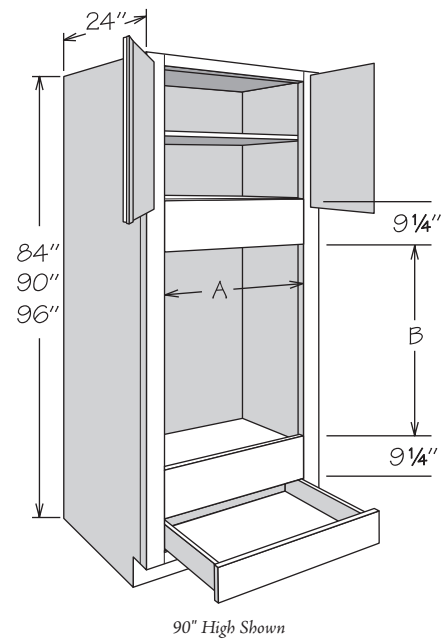
CFO
RD

A ACTUAL A MAX. B ACTUAL B MAX.

	A ACTUAL	A MAX.	B ACTUAL	B MAX.
96"H • 3 Top Shelves				
OVD2796 AS 1DDWR	20 3/4"	25"	33 3/8"	48 13/16"
OVD3096 AS 1DDWR	23 3/4"	28"	33 3/8"	48 13/16"
OVD3396 AS 1DDWR	26 3/4"	31"	33 3/8"	48 13/16"
90"H • 1 Top Shelf				
OVD2790 AS 1DDWR	20 3/4"	25"	33 3/8"	48 7/16"
OVD3090 AS 1DDWR	23 3/4"	28"	33 3/8"	48 7/16"
OVD3390 AS 1DDWR	26 3/4"	31"	33 3/8"	48 7/16"
84"H • No Shelf				
OVD2784 1DDWR	20 3/4"	25"	33 3/8"	48 13/16"
OVD3084 1DDWR	23 3/4"	28"	33 3/8"	48 13/16"
OVD3384 1DDWR	26 3/4"	31"	33 3/8"	48 13/16"

90" High Shown

Double Oven Cabinet + 2 Doors with Batten and 1 Drawer



- Features a solid back
- Left door with batten
- 3 1/8" stiles
- One standard drawer
- Full-depth adjustable shelves and 3/4" engineered wood and edge banded on front edge only where applicable
- Shelves packaged separately for field installation
- All door styles feature face-mount hinges
- Order Oven Support Shelf (OSS_) separately
- Refer to appliance manufacturer's specifications for adequate clearances and required installation materials

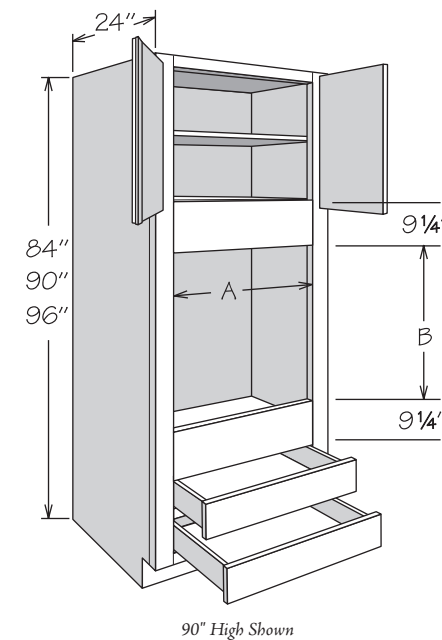
CFO
RD

A ACTUAL A MAX. B ACTUAL B MAX.

	A ACTUAL	A MAX.	B ACTUAL	B MAX.
96"H • 3 Top Shelves				
OVD2796 AS	20 3/4"	25"	39"	54 1/4"
OVD3096 AS	23 3/4"	28"	39"	54 1/4"
OVD3396 AS	26 3/4"	31"	39"	54 1/4"
90"H • 1 Top Shelf				
OVD2790 AS	20 3/4"	25"	38 5/8"	53 3/8"
OVD3090 AS	23 3/4"	28"	38 5/8"	53 3/8"
OVD3390 AS	26 3/4"	31"	38 5/8"	53 3/8"
84"H • No Shelf				
OVD2784	20 3/4"	25"	39"	54 1/4"
OVD3084	23 3/4"	28"	39"	54 1/4"
OVD3384	26 3/4"	31"	39"	54 1/4"

90" High Shown

Double Oven Cabinet + 2 Doors with Batten and 2 Drawers



- Features a solid back
- Left door with batten
- 3 1/8" stiles
- Two standard drawers
- Full-depth adjustable shelves and 3/4" engineered wood and edge banded on front edge only where applicable
- Shelves packaged separately for field installation
- All door styles feature face-mount hinges
- Order Oven Support Shelf (OSS_) separately
- Refer to appliance manufacturer's specifications for adequate clearances and required installation materials

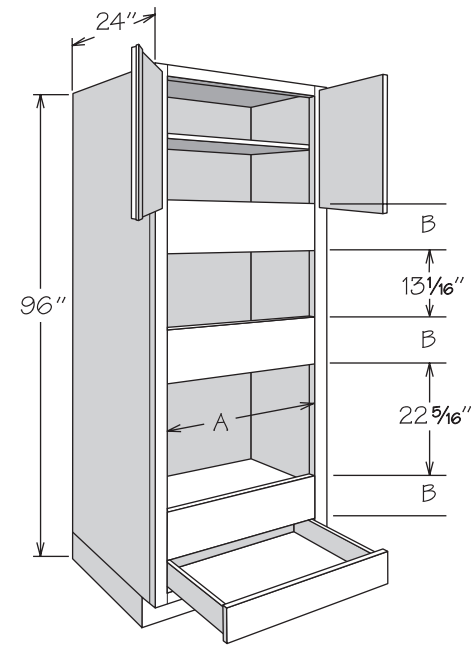
CFO
RD

A ACTUAL A MAX. B ACTUAL B MAX.

	A ACTUAL	A MAX.	B ACTUAL	B MAX.
96"H • 3 Top Shelves				
OVD2796 AS 2DWR	20 3/4"	25"	33"	48 1/4"
OVD3096 AS 2DWR	23 3/4"	28"	33"	48 1/4"
OVD3396 AS 2DWR	26 3/4"	31"	33"	48 1/4"
90"H • 1 Top Shelf				
OVD2790 AS 2DWR	20 3/4"	25"	32 5/8"	47 7/8"
OVD3090 AS 2DWR	23 3/4"	28"	32 5/8"	47 7/8"
OVD3390 AS 2DWR	26 3/4"	31"	32 5/8"	47 7/8"
84"H • No Shelf				
OVD2784 2DWR	20 3/4"	25"	33"	48 1/4"
OVD3084 2DWR	23 3/4"	28"	33"	48 1/4"
OVD3384 2DWR	26 3/4"	31"	33"	48 1/4"

90" High Shown

Oven Microwave Cabinet + 2 Doors with Batten

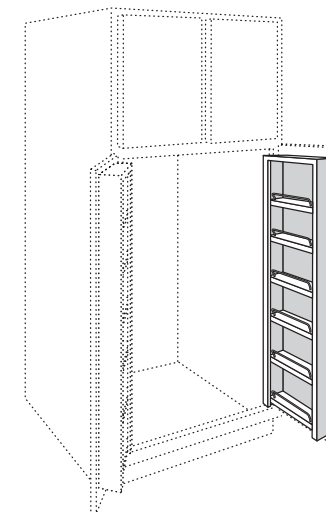


- Features a solid back
- Left door with batten
- 3 1/2" stiles
- Features one full-depth 3/4" engineered wood shelf edge banded on front edge only (for top section)
- Shelving packaged separately for field installation
- Features 18" deep drawer
- 4" inset toe kick assembly shipped inside cabinet
- For use with built-in style microwaves only
- Features two Oven Support Shelves packaged separately for field installation
- Refer to appliance manufacturer's specifications for adequate clearance and required materials

CFO
RD

	A ACTUAL	A MAX.	B ACTUAL	B MIN.
96"H • 1 Top Shelf				
OMC3396 AS OS	26 3/4"	31"	9 1/4"	2 3/4"

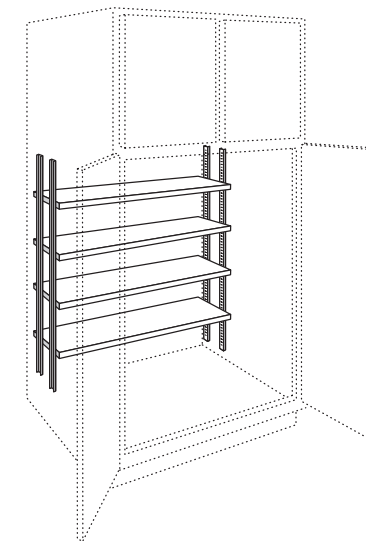
Pantry Door Shelf Kit



- Field installation accessory
- For use inside UT1824 or UT3624
- Order each door unit separately
- Can be used with PCSK36 and/or PSK36
- Natural finish unit features one fixed and five adjustable shelves with chrome rails
- Overall dimensions 12" wide x 45" high x 4" deep
- Not sized to fit reduced depth cabinets
- Minimum filler width of 4 1/2" recommended for installation of this accessory next to deeper adjacent objects including cabinets, walls, appliances, and countertops

PDSK18

Shelf & Pilaster Kit

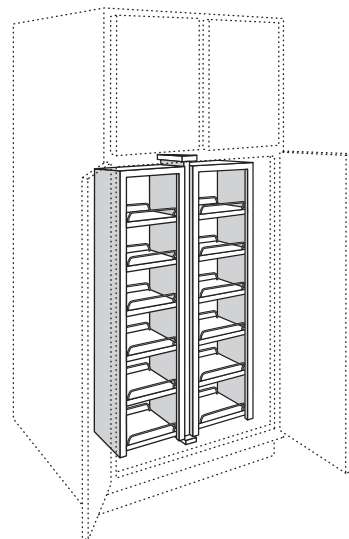


- Field installation accessory
- Kit includes four 9" deep shelves edge banded on front edge only, four 36" zinc pilasters, screws, and installation instructions
- For use inside UT3624
- Field trimmable for use inside UT1824
- Can be used with PCSK36 and/or PDSK18

RD

PSK36

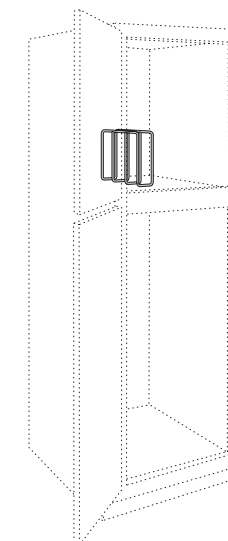
Pantry Swing-Out Kit



- Field installation accessory
- For use inside UT3624
- Can be used with PDSK18 and/or PSK36
- Natural finish unit features two fixed and ten adjustable shelves with chrome rails
- Overall dimensions 25 5/8" wide x 45" high x 7 1/2" deep
- Not sized to fit reduced depth cabinets
- Minimum filler width of 4 1/2" recommended for installation of this accessory next to deeper adjacent objects including cabinets, walls, appliances, and countertops

PCSK36

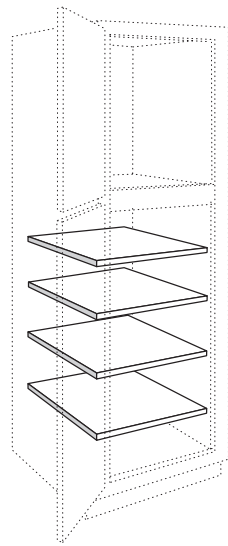
Cabinet Tray Divider



- Field installation accessory
- Chrome finish
- Mounting hardware included
- Overall dimensions 2 7/8" w x 9 15/16" h x 11 3/4" d
- Order Cabinet Tray Dividers individually
- For use in 24" deep cabinet or cabinets with RD-23 through RD-14

TD3

Adjustable Shelf & Shelf Kits



- Field installation accessory
- 3/4" engineered wood
- Edge banded on front edge only
- CLIP LOCK shelf rests included

MI ■
RD

ADJUSTABLE SHELF

12" Deep

S1212 ■
S1512 ■
S1812 ■
S2412 ■
S3612 ■

24" Deep

S1224 ■
S1524 ■
S1824 ■
S2424 ■
S2724 ■
S3024 ■
S3324 ■
S3624 ■

4 PACK SHELF KIT

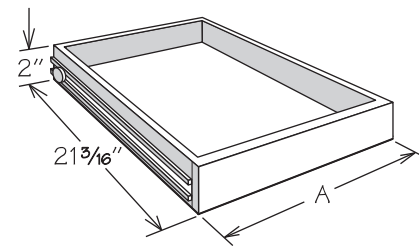
12" Deep

SK1212 ■
SK1512 ■
SK1812 ■
SK2412 ■
SK3612 ■

24" Deep

SK1224 ■
SK1524 ■
SK1824 ■
SK2424 ■
SK2724 ■
SK3024 ■
SK3324 ■
SK3624 ■

Sliding Shelf and Sliding Shelf Kits



- Field installation accessory
- Engineered wood drawer with solid hardwood front, MDF bottom, and side-mounted drawer glides
- Includes sliding shelf, all glide hardware, and instructions

RD

OVEN SIZE

SSK24
SSK27
SSK30

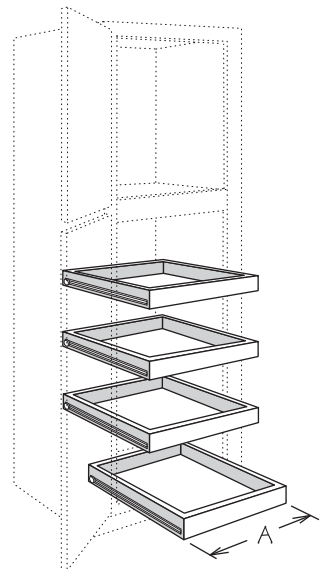
OVS27
OVS30
OVS33

SLIDING SHELF KIT A

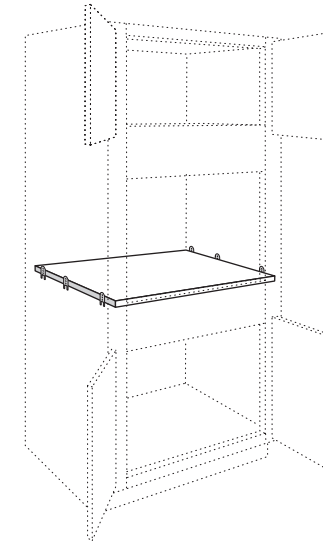
SSK12 8 1/2"
SSK15 11 1/2"
SSK18 14 1/2"
SSK24 20 1/2"
SSK27 23 1/2"
SSK30 26 1/2"
SSK36 32 1/2"

4 PACK SLIDING SHELF KIT A

USS12-4K 8 1/2"
USS15-4K 11 1/2"
USS18-4K 14 1/2"
USS24-4K 20 1/2"
USS30-4K 26 1/2"
USS36-4K 32 1/2"



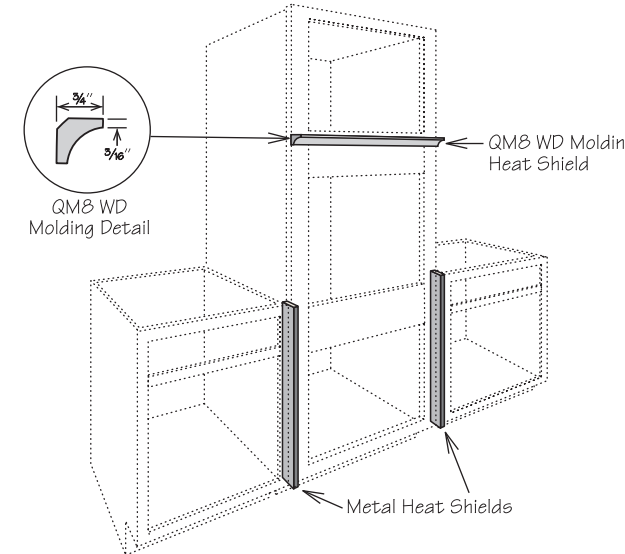
Oven Support Shelf



- Features 3/4" unfinished engineered wood shelf and six mounting clips with screws
- Will support up to 300 lbs when installed per included installation instructions
- Refer to appliance manufacturer's specifications for adequate clearances and required installation materials

OSS27
OSS30
OSS33

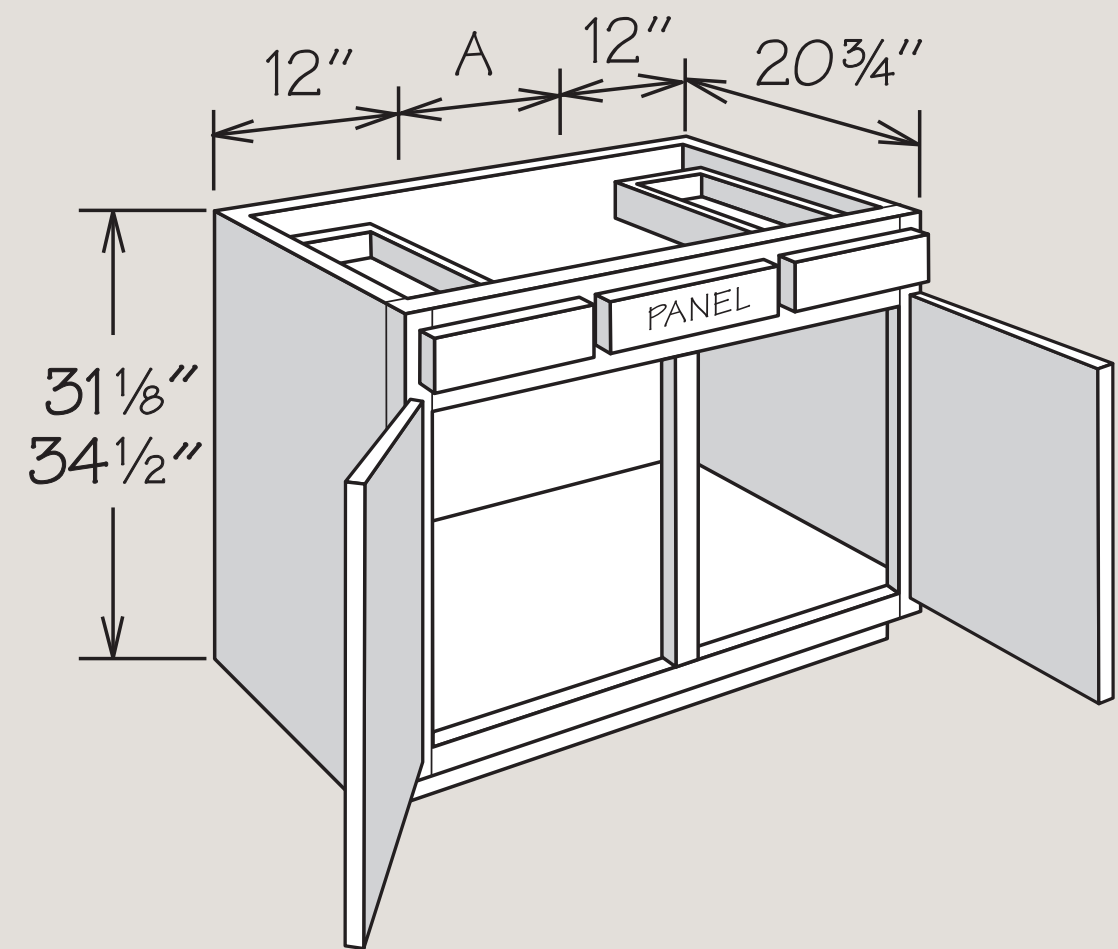
Heat Shield Kit



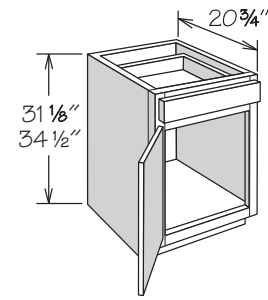
- Field installation accessory
- For use on Andover Thermofoil only
- Protects doors and drawer fronts from adjacent heat source (built-in ovens, under counter ovens, drop-in, or free-standing ranges)
- Kit features: two 1/8" metal heat shields finished to match cabinet exterior and one strip of QM8 WD finished to match cabinet exterior

HSK

VANITY CABINETS



Vanity Base + 1 Door and 1 Drawer



- No shelf
- Door is hinged left and can be reversed in the field

CFO
RD
RTK

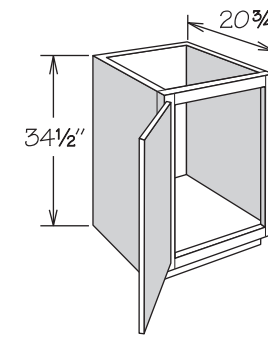
34 1/2" HIGH

VB1234H
VB1534H
VB1834H
VB2134H

31 1/8" HIGH

VB12
VB15
VB18
VB21

Vanity Full-Height Base + 1 Door



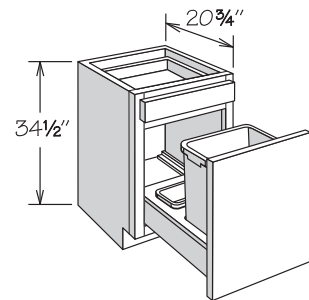
- Full-height door
- No shelf
- Door is hinged left and can be reversed in the field

CFO
RD
RTK

34 1/2" HIGH

VB1234H FH
VB1534H FH
VB1834H FH
VB2134H FH

Vanity Base Cabinet + 1 Door and 1 Drawer with Wastebasket Pull-Out



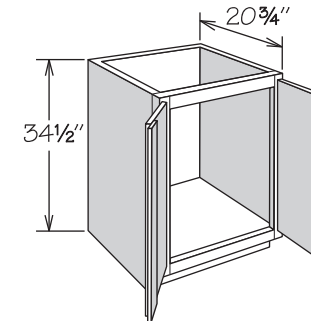
- Wastebasket rests in a natural finish wood frame
- Wastebasket pull-out features heavy-duty, full-extension, 132-pound rated glides
- Features one silver plastic 35-quart capacity bin and bag storage tray at rear (not dishwasher safe)
- Decorative hardware strongly recommended

RTK

34 1/2" HIGH

VWBB1834H

Vanity Full-Height Base + 2 Doors with Batten



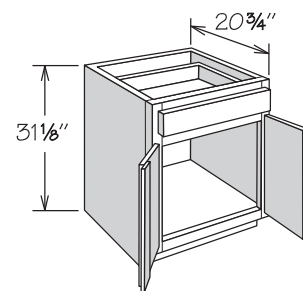
- Left door with batten
- Full-height doors
- No shelf

CFO
RD
RTK

34 1/2" HIGH

VB2434H 1B FH
VB3034H 1B FH
VB3634H 1B FH

Vanity Base + 2 Doors with Batten and 1 Drawer



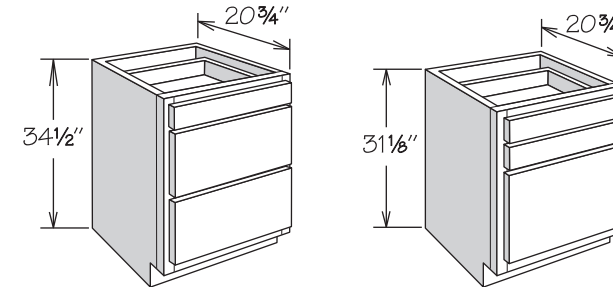
- Left door with batten
- No shelf

CFO
RD
RTK

31 1/8" HIGH

VB24

Vanity Drawer Base + 3 Drawers



- VDB_34H features one small and two large drawers
- VDB_ features one large and two small drawers

CFO
RD
RTK

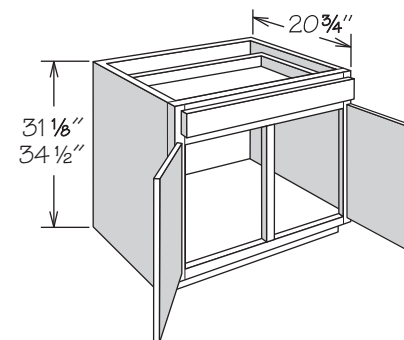
34 1/2" HIGH

VDB1234H
VDB1534H
VDB1834H
VDB2134H
VDB2434H

31 1/8" HIGH

VDB12
VDB15
VDB18
VDB21
VDB24

Vanity Base + 2 Doors and 1 Drawer



- No shelf

CFO
RD
RTK

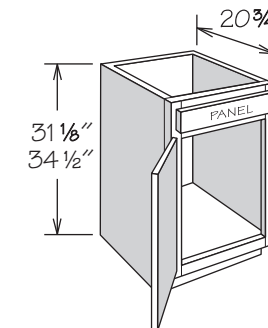
34 1/2" HIGH

VB2434H
VB2734H
VB3034H
VB3334H
VB3634H

31 1/8" HIGH

VB27
VB30
VB33
VB36

Vanity Sink Base + 1 Door



- No shelf
- Subtract 1 1/2" from depth and width for available sink bowl opening
- Door is hinged left and can be reversed in the field

CFO
RD
RTK

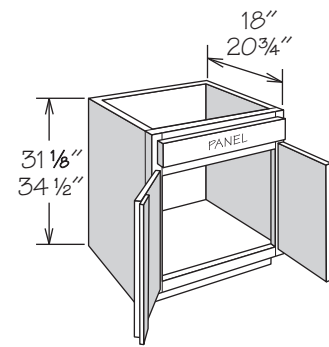
34 1/2" HIGH

VSB1534H
VSB1834H
VSB2134H

31 1/8" HIGH

VSB15
VSB18
VSB21

Vanity Sink Base + 2 Doors with Batten

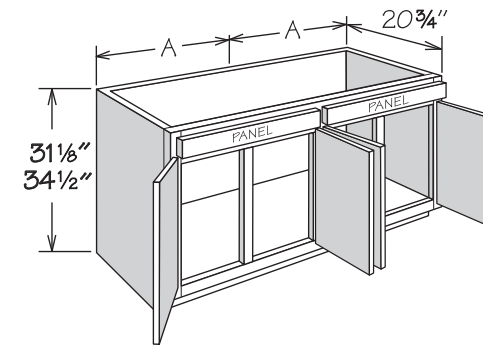


- Left door with batten
- No shelf
- Subtract 1 1/2" from depth and width for available sink bowl opening

CFO
RD
RTK

34 1/2" HIGH	31 1/8" HIGH
20 3/4" Deep	20 3/4" Deep
VSB2434H	VSB24
18" Deep	18" Deep
VSB241834H	VSB2418

Vanity Sink Base + 4 Doors

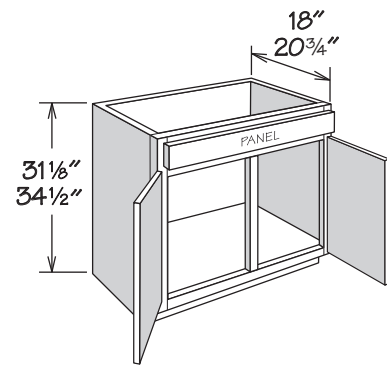


- No shelf
- Subtract 1 1/2" from depth and each dimension A for available sink bowl openings

CFO
RD
RTK

34 1/2" HIGH	A	31 1/8" HIGH	A
VSB5434H	27"	VSB54	27"
VSB6034H	30"	VSB60	30"

Vanity Sink Base + 2 Doors



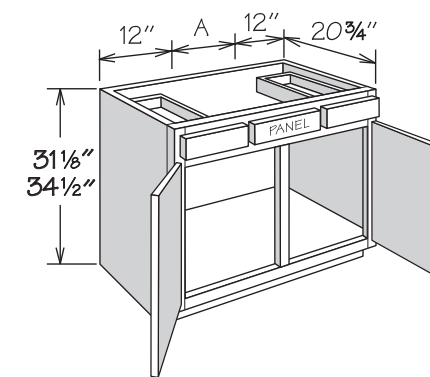
- No shelf
- Subtract 1 1/2" from depth and width for available sink bowl opening

CFO
RD
RTK

34 1/2" HIGH	31 1/8" HIGH
20 3/4" Deep	20 3/4" Deep
VSB2734H	VSB27
VSB3034H	VSB30
VSB3334H	VSB33
VSB3634H	VSB36
18" Deep	18" Deep
VSB301834H	VSB3018
VSB361834H	VSB3618

Vanity Sink Base + 2 Doors and 2 Drawers

NEW | SIZE



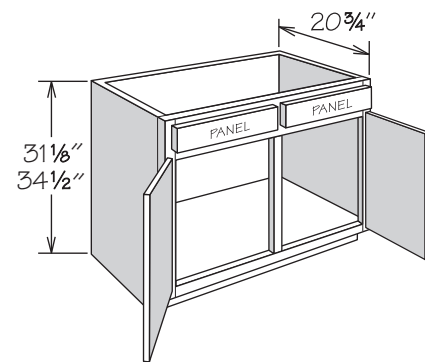
- No shelf
- Top drawer on each side of sink bowl opening
- Subtract 1 1/2" from depth for available sink bowl opening

CFO
RD
RTK

34 1/2" High	A	MAX. SINK OPENING	31 1/8" High	A	MAX. SINK OPENING
VAN3634H	12"	18"	VAN36	12"	18"
VAN3934H	15"	18"	VAN39	15"	18"
VAN4234H	18"	21"	VAN42	18"	21"

Vanity Sink Base + 2 Doors

NEW | SIZE

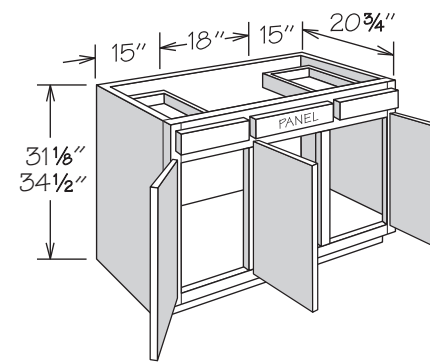


- No shelf
- Subtract 1 1/2" from depth and width for available sink bowl opening

CFO
RD
RTK

34 1/2" HIGH	31 1/8" HIGH
VSB3934H	VSB39
VSB4234H	VSB42

Vanity Sink Base + 3 Doors and 2 Drawers

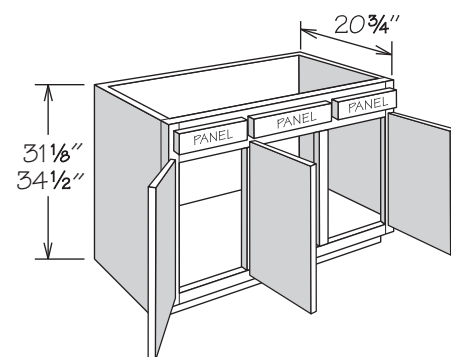


- No shelf
- Top drawer on each side of sink bowl opening
- Subtract 1 1/2" from depth for available sink bowl opening
- Hinged as shown - can be reversed in the field
- Maximum sink bowl opening is 21" wide

CFO
RD
RTK

34 1/2" HIGH	31 1/8" HIGH
VAN4834H	VAN48

Vanity Sink Base + 3 Doors

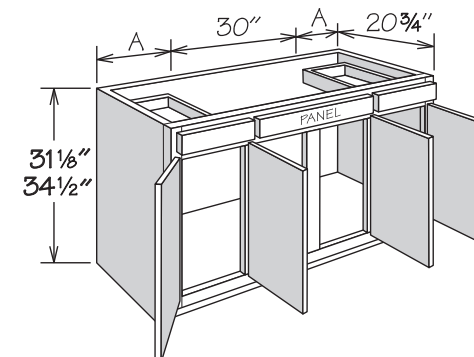


- No shelf
- Subtract 1 1/2" from depth and width for available sink bowl opening
- Hinged as shown - can be reversed in the field

CFO
RD
RTK

34 1/2" HIGH	31 1/8" HIGH
VSB4834H	VSB48

Vanity Sink Base + 4 Doors and 2 Drawers



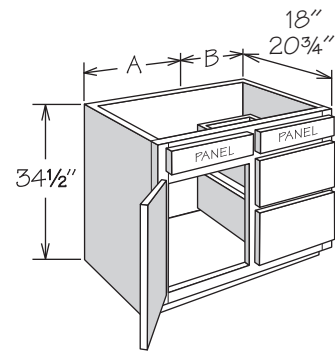
- No shelf
- Top drawer on each side of sink bowl opening
- Subtract 1 1/2" from depth for available sink bowl opening
- Maximum sink bowl opening is 33" wide

CFO
RD
RTK

34 1/2" HIGH	A	31 1/8" HIGH	A
VAN5434H BK	12"	VAN54 BK	12"
VAN6034H BK	15"	VAN60 BK	15"

Vanity Combo Sink Base + 1 Door and 2 Drawers

NEW | SIZE

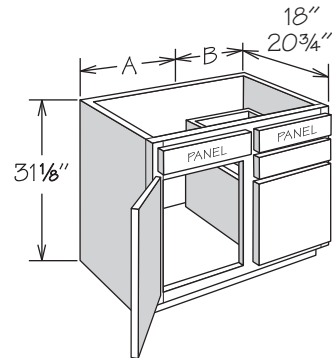


Drawers on Right Shown

- No shelf
- Allow for plumbing placement to clear drawers
- Drawers available on right or left side (please specify)
- Subtract 1 1/2" from depth and overall cabinet width for available sink bowl opening

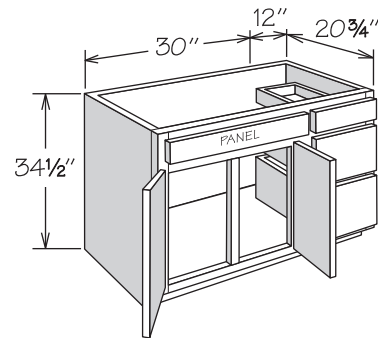
CFO
RD
RTK

34 1/2" HIGH	A	B	31 1/8" HIGH	A	B
20 3/4" Deep			20 3/4" Deep		
VSDB2434H BK	12"	12"	VSDB24 BK	12"	12"
VSDB2734H BK	15"	12"	VSDB27 BK	15"	12"
VSDB3034H BK	18"	12"	VSDB30 BK	18"	12"
VSDB3334H BK	21"	12"	VSDB33 BK	21"	12"
VSDB3634H BK	21"	15"	VSDB36 BK	21"	15"
VSDB3934H BK	21"	18"	18" Deep		
18" Deep			VSDB2418 BK	12"	12"
VSDB241834H BK	12"	12"	VSDB2718 BK	15"	12"
VSDB271834H BK	15"	12"	VSDB3018 BK	18"	12"
VSDB301834H BK	18"	12"	VSDB3318 BK	21"	12"
VSDB331834H BK	21"	12"	VSDB3618 BK	21"	15"
VSDB361834H BK	21"	15"			



Drawers on Right Shown

Vanity Combo Sink Base + 2 Doors and 3 Drawers

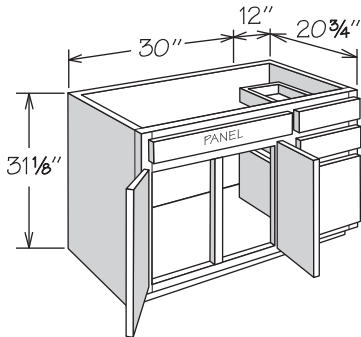


Drawers on Right Shown

- No shelf
- Drawers available on right or left side (please specify)
- Subtract 1 1/2" from depth and 30" dimension for available sink bowl opening
- Requires off center sink bowl opening

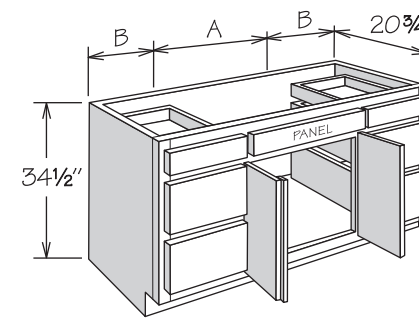
CFO
RD
RTK

34 1/2" HIGH	31 1/8" HIGH
VSDB4234H BK	VSDB42 BK



Drawers on Right Shown

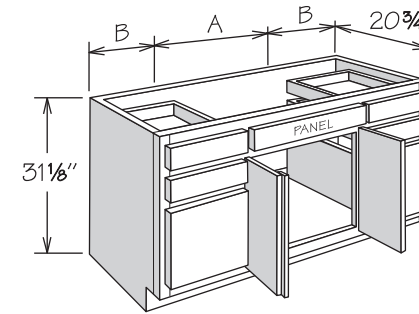
Vanity Combo Sink Base + 2 Doors with Batten and 6 Drawers



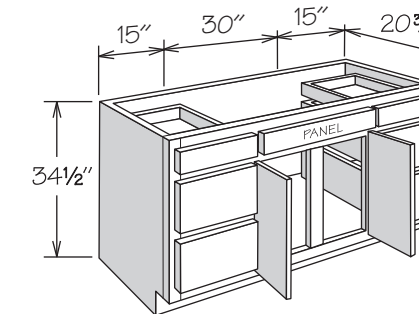
- Left door with batten
- No shelf
- Subtract 1 1/2" from depth and dimension A for available sink bowl opening

CFO
RD
RTK

34 1/2" HIGH	A	B	31 1/8" HIGH	A	B
VSDB4834HD BK	24"	12"	VSDB48D BK	24"	12"
VSDB5434HD BK	24"	15"	VSDB54D BK	24"	15"



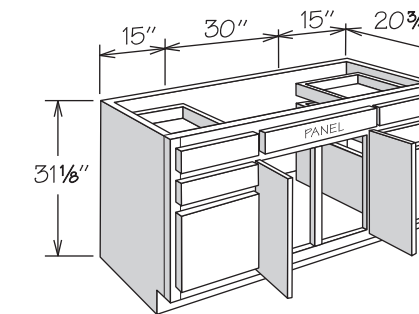
Vanity Combo Sink Base + 2 Doors and 6 Drawers



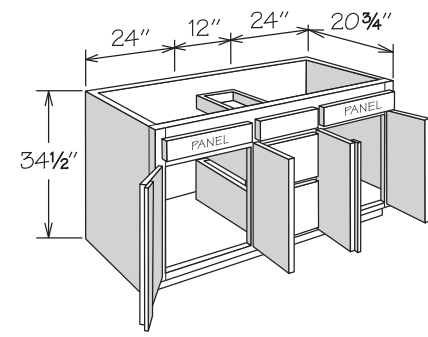
- No shelf
- Subtract 1 1/2" from depth and 30" dimension for available sink bowl openings

CFO
RD
RTK

34 1/2" HIGH	31 1/8" HIGH
VSDB6034HD BK	VSDB60D BK



Vanity Combo Sink Base + 4 Doors with Battens and 3 Drawers

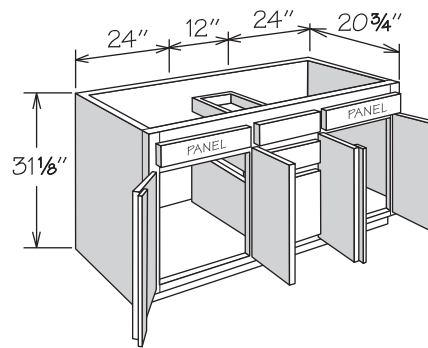


- Left doors with battens
- No shelf
- Subtract 1 1/2" from depth and each 24" dimension for available sink bowl openings

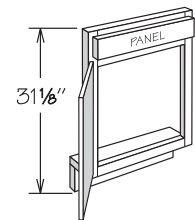
CFO
RD
RTK

34 1/2" HIGH
VSDB6034HC BK

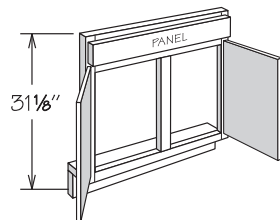
31 1/8" HIGH
VSDB60C BK



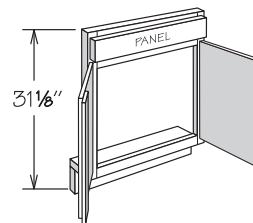
Vanity Sink Front NEW | SIZE



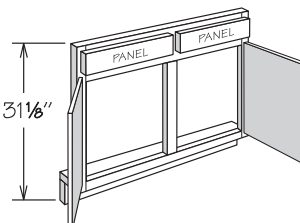
1 DOOR



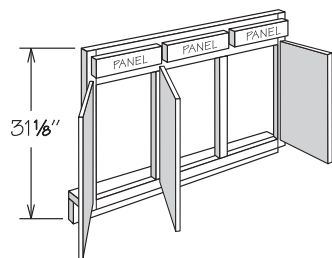
2 DOORS, 1 PANEL



2 DOORS WITH BATTEN



2 DOORS, 2 PANELS



3 DOORS

- Vanity Sink Front not trimmable
- Order floor and returns separately (field trimming may be required) - refer to Panel Section for availability (page 141)
- VSF48 is hinged as shown - can be reversed in the field

1 DOOR
VSF21

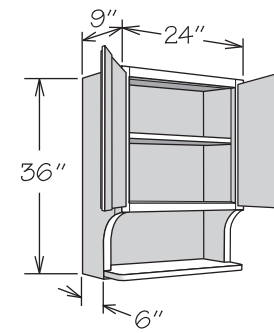
2 DOORS, 1 PANEL
VSF30
VSF36

2 DOORS WITH BATTEN
VSF24

2 DOORS, 2 PANELS
VSF39
VSF42

3 DOORS
VSF48

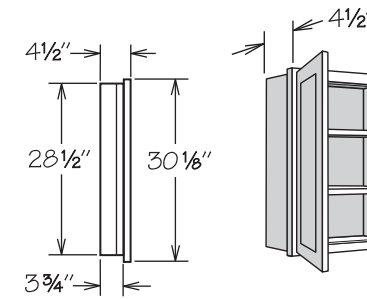
Valet Cabinet + 2 Doors with Batten



- Left door with batten
- Matching interior standard
- Flush sides with no face frame or 1/4" reveals
- Bottom opening 22 1/2" x 10 7/8"
- Features a fixed shelf
- Sides and bottom shelf feature 3/4" engineered wood veneered on both sides

VC2436

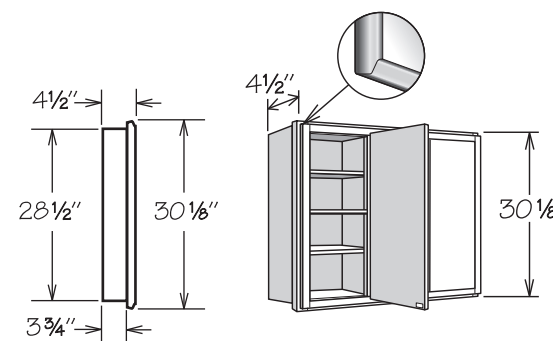
Medicine Cabinet + 1 Door



- Two adjustable engineered wood shelves
- Surface or recess mount
- MCM1530 features a mirrored door
- For surface mount installation of wood door styles, trim and apply WEP30 (order separately) to match finish on exterior sides to cabinet frame

	RECESS MOUNT CUT OUT	
	WIDTH	HEIGHT
MC1530	14 1/2"	28 1/2"
MCM1530	14 1/2"	28 1/2"

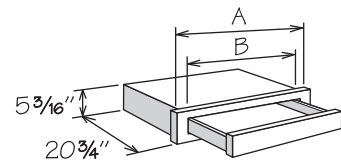
Tri-View Mirror + 3 Doors



- All three mirrored doors swing open for easy access to the six adjustable shelves
- Surface or recess mount
- For surface mount installation of wood door styles, trim and apply WEP30 (order separately) to match finish on exterior sides to cabinet frame
- Chrome hardware

	OVERALL		RECESS MOUNT CUTOUT	
	WIDTH	HEIGHT	WIDTH	HEIGHT
TV3030	30"	30 1/8"	28 1/2"	28 1/2"
TV3630	36"	30 1/8"	34 1/2"	28 1/2"

Kneehole Drawer Cabinet

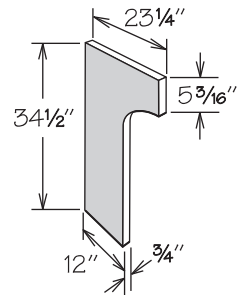


- Designed for desk or vanity application
- Field trimmable in height to 4 1/4"
- Field trimmable in depth to 18" or available with RD-20 through RD-12

RD

	A	B	MAX. TRIM
KDC27/21	27"	17 3/4"	21" (3" each side)
KDC33/27	33"	23 3/4"	27" (3" each side)
KDC36/33	36"	29 3/4"	33" (1 1/2" each side)

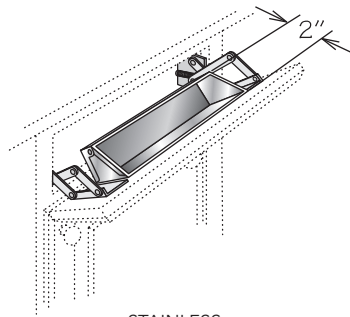
Desk End Panel



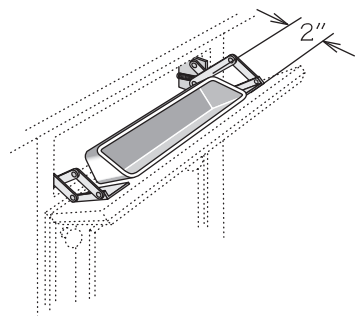
- All door styles feature 3/4" veneered engineered wood finished to match cabinet exterior on both sides
- Recommend QM8 WD be ordered for installation to ensure proper attachment to wall
- Field trimmable

DEP

Tilt-Out Tray Kit



STAINLESS



PLASTIC

- Field installation accessory
- Kit features tray and one pair of scissor hinges
- Order units individually for panels only
- STO and TO TRAY 11:
 - » Order one unit for VSB18, VSB48 (center only), VAN48, or VSDB30 (above door only)
 - » Order two units for VSB33 or VSB36
- STO and TO TRAY 14:
 - » Order one unit for VSB21, VSB24, VSB27, VSDB33 (above door only), VSDB36 (above door only), VSDB48D, or VSDB54D
 - » Order two units for VSB42, VSB54, or VSDB60C
- STO and TO TRAY 22:
 - » Order one unit for VSB30, VAN54, VAN60, VSDB42, or VSDB60D
 - » Order two units for VSB60
- Sink front, base height, and 18" deep units match vanity sink base sizes as noted above
- Tilt-Out Trays are NOT dishwasher safe

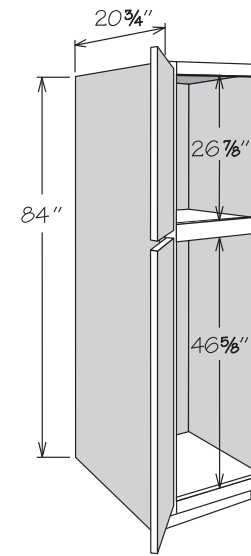
STAINLESS

STO TRAY 11
STO TRAY 14
STO TRAY 22

PLASTIC

TO TRAY 11
TO TRAY 14
TO TRAY 22

Vanity Linen Cabinet + 2 Doors



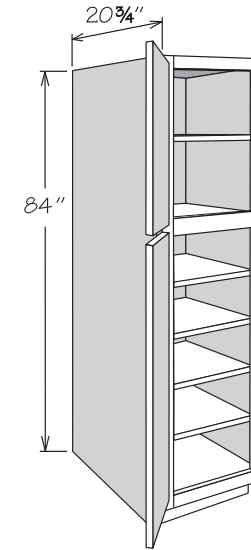
- Shelving and optional interior accessories may be ordered separately (refer to vanity linen cabinet accessories for details)
- Cabinet backs are pre-drilled to accept up to four sliding shelves in lower section
- Specialty Door cabinets (SD) feature Matching Interior standard and require a specialty door selection
- Must be ordered as hinged left or right
- Bottom door will have a center rail except for Andover Thermofoil

CFO
MI
RD

84" HIGH

VLC122184	VLC122184 SD
VLC152184	VLC152184 SD
VLC182184	VLC182184 SD

Vanity Linen Cabinet + 2 Doors and Adjustable Shelves



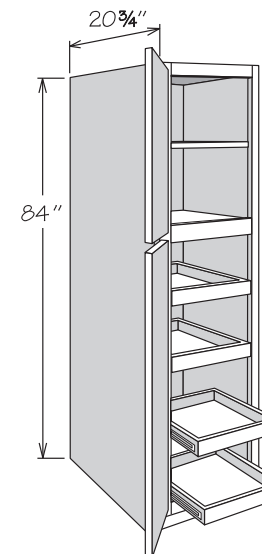
- Features one full-depth adjustable shelf in top section and four full-depth adjustable shelves in lower section
- Full-depth adjustable shelves are 3/4" engineered wood and edge banded on front edge only
- All shelving packaged separately
- Specialty Door cabinets (SD) feature Matching Interior standard and require a specialty door selection
- Must be ordered as hinged left or right
- Bottom door will have a center rail except for Andover Thermofoil

MI
RD

84" HIGH

VLC122184 AS	VLC122184 AS SD
VLC152184 AS	VLC152184 AS SD
VLC182184 AS	VLC182184 AS SD

Vanity Linen Cabinet + 2 Doors and Sliding Shelves



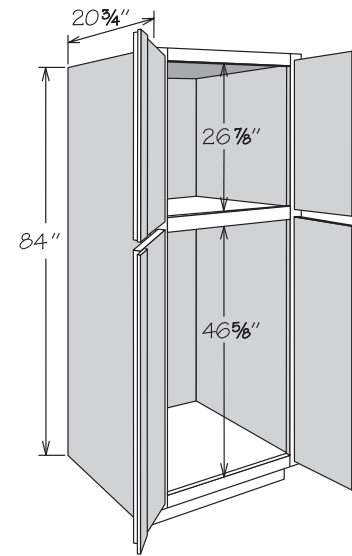
- Features one full-depth adjustable shelf in top section and four sliding shelves in lower section
- Full-depth adjustable shelf is 3/4" engineered wood and edge banded on front edge only
- Adjustable shelf and sliding shelves packaged separately
- Engineered wood sliding shelves with solid hardwood front, MDF bottom, and side-mounted drawer glides
- Specialty Door cabinets (SD) feature Matching Interior standard and require a specialty door selection
- Must be ordered as hinged left or right
- Bottom door will have a center rail except for Andover Thermofoil

MI
RD

84" HIGH

VLC122184 4SSK	VLC122184 4SSK SD
VLC152184 4SSK	VLC152184 4SSK SD
VLC182184 4SSK	VLC182184 4SSK SD

Vanity Linen Cabinet + 4 Doors with Battens



- Left doors with battens
- Shelving and optional interior accessories may be ordered separately (refer to vanity linen cabinet accessories for details)
- Cabinet backs are pre-drilled to accept up to four sliding shelves in lower section
- Specialty Door cabinets (SD) feature Matching Interior standard and require a specialty door selection
- Bottom doors will have a center rail except for Andover Thermofoil

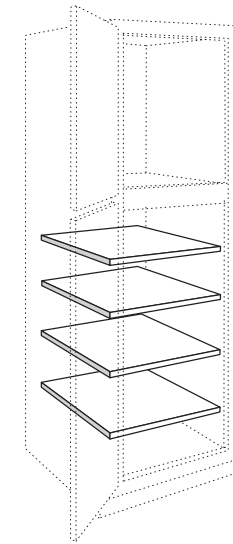
CFO
MI
RD

84" HIGH

VLC242184 ■

VLC242184 SD

Vanity Linen Cabinet + Adjustable Shelves



- Field installation accessory
- 3/4" engineered wood
- Edge banded on front edge only
- CLIP LOCK shelf rests included

MI
RD

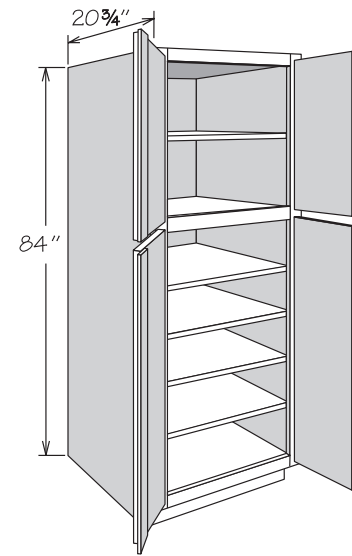
ADJUSTABLE SHELF

S1221
S1521
S1821
S2421

4 PACK SHELF KIT

SK1221
SK1521
SK1821
SK2421

Vanity Linen Cabinet + 4 Doors with Battens and Adjustable Shelves



- Left doors with battens
- Features one full-depth adjustable shelf in top section and four full-depth adjustable shelves in lower section
- Full-depth adjustable shelves are 3/4" engineered wood and edge banded on front edge only
- All shelving packaged separately
- Specialty Door cabinets (SD) feature Matching Interior standard and require a specialty door selection
- Bottom doors will have a center rail except for Andover Thermofoil

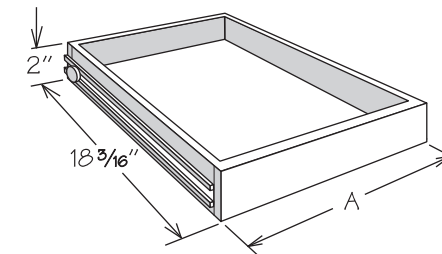
MI
RD

84" HIGH

VLC242184 AS ■

VLC242184 AS SD

Vanity Linen Cabinet + Sliding Shelves



- Field installation accessory
- Engineered wood drawer with solid hardwood front, MDF bottom, and side-mounted drawer glides
- Includes sliding shelf, all glide hardware, and installation instructions

RD

SLIDING SHELF KIT

SSK1221
SSK1521
SSK1821
SSK2121
SSK2421

A

8 1/2"
11 1/2"
14 1/2"
17 1/2"
20 1/2"

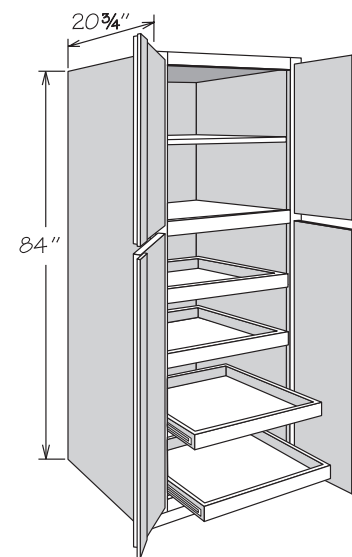
4 PACK SLIDING SHELF KIT

USS1221-4K
USS1521-4K
USS1821-4K
USS2421-4K

A

8 1/2"
11 1/2"
14 1/2"
20 1/2"

Vanity Linen Cabinet + 4 Doors with Battens and Sliding Shelves



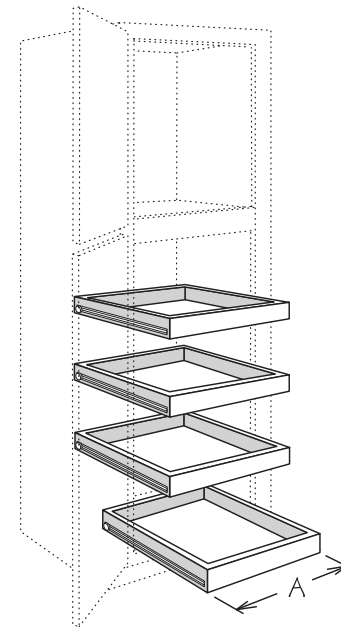
- Left doors with batten
- Features one full-depth adjustable shelf in top section and four sliding shelves in lower section
- Full-depth adjustable shelf is 3/4" engineered wood and edge banded on front edge only
- Adjustable shelf and sliding shelves packaged separately
- Engineered wood sliding shelves with solid hardwood front, MDF bottom, and side-mounted drawer glides
- Specialty Door cabinets (SD) feature Matching Interior standard and require a specialty door selection
- Bottom doors will have a center rail except for Andover Thermofoil

MI
RD

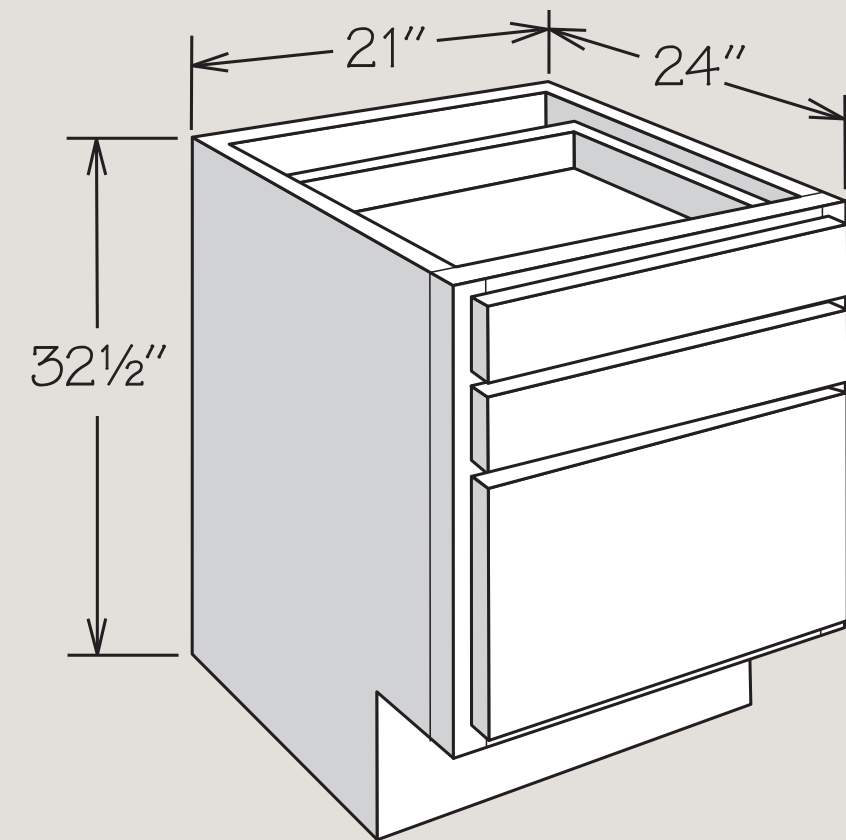
84" HIGH

VLC242184 4SSK ■

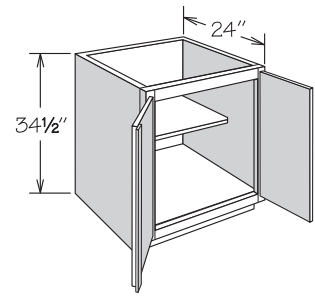
VLC242184 4SSK SD



UNIVERSAL DESIGN CABINETS



Universal Design Base Cabinet + 1 Adjustable Shelf NEW | OPTION



2 DOORS WITH BATTEN

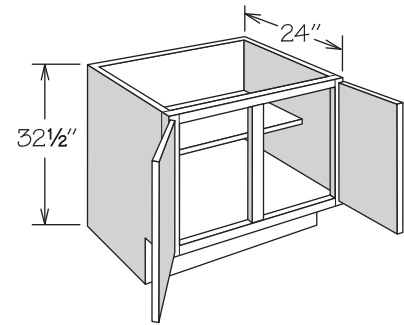
- 3/4" half-depth adjustable shelf
- Center support for shelf provided for cabinets 30" or wider

CFO
FDS
RD
RTK

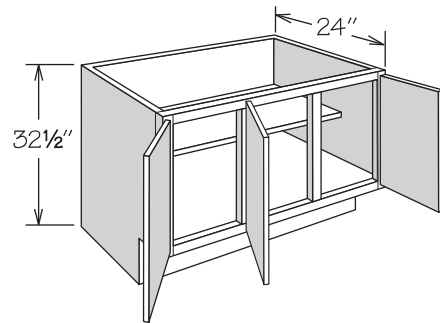
2 DOORS WITH BATTEN
B24 1B UD

3 DOORS
B45 UD

2 DOORS
B27 UD
B30 UD
B33 UD
B36 UD
B39 UD
B42 UD

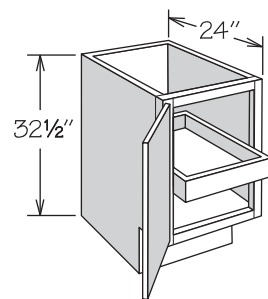


2 DOORS

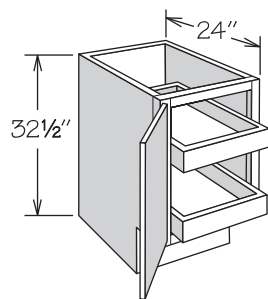


3 DOORS

Universal Design Base Cabinet + 1 Door and Sliding Shelves



1 SLIDING SHELF



2 SLIDING SHELVES

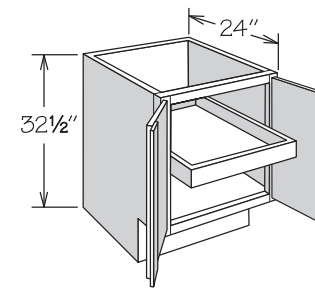
- Sliding shelf in center position not adjustable
- Engineered wood sliding shelf with solid hardwood front, MDF bottom, and side-mounted drawer glides
- Recessed Toe Kick Both Option (RTKB) not available for the B12 SS_ UD and B15 SS_ UD

RD
RTK

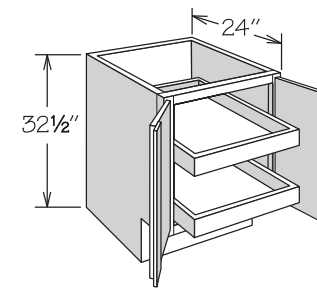
1 SLIDING SHELF
B12 SS1 UD
B15 SS1 UD
B18 SS1 UD
B21 SS1 UD

2 SLIDING SHELVES
B12 SS2 UD
B15 SS2 UD
B18 SS2 UD
B21 SS2 UD

Universal Design Base Cabinet + 2 Doors with Batten and Sliding Shelves



1 SLIDING SHELF



2 SLIDING SHELVES

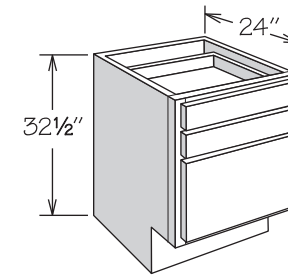
- Left door with batten
- Sliding shelves are not adjustable
- Engineered wood sliding shelves with solid hardwood front, MDF bottom, and side-mounted drawer glides

RD
RTK

1 SLIDING SHELF
B24 1B SS1 UD

2 SLIDING SHELVES
B24 1B SS2 UD

Universal Design Drawer Base Cabinet + 3 Drawers

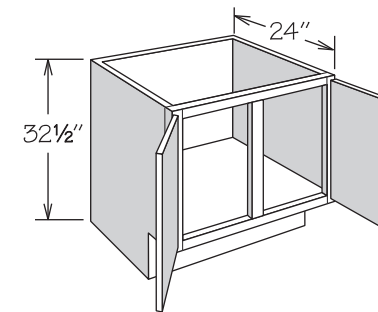


- One large and two standard drawers
- Recessed Toe Kick Both Option (RTKB) not available for the DB12 UD and DB15 UD

CFO
RD
RTK

3 DRAWERS
DB12 UD
DB15 UD
DB18 UD
DB21 UD
DB24 UD

Universal Design Sink Base Cabinet + 2 Doors

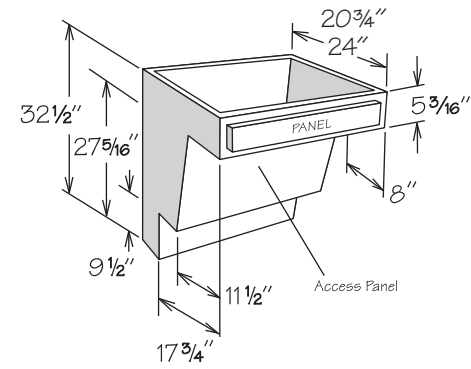


- No shelf
- Full-height back
- Subtract 1 1/2" from width and depth for available sink bowl opening
- Refer to sink manufacturer's specifications for adequate clearance and required installation materials

CFO
RD
RTK

NO SHELF
SB30 UD
SB33 UD
SB36 UD

Universal Design Plumbing Skirt



- Features plywood sides standard
- Removable front access panel
- Subtract 1 1/2" from width and depth for available sink bowl opening
- Maximum available depth inside cabinet for sink bowl is 5"
- Water lines, drains, and P-Trap must be installed at 6" maximum from wall
- Refer to sink manufacturer's specifications for adequate clearance and required installation materials
- Matching toe kick included - BTK8 UD not required

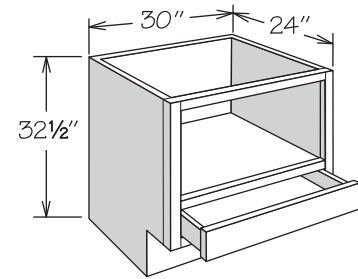
BASE PLUMBING SKIRT

BPS30 UD
BPS36 UD

VANITY PLUMBING SKIRT

VPS30 UD
VPS36 UD

Universal Design Base Multi-Use + 1 Drawer

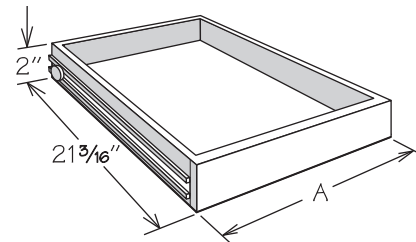


- Designed for mounting microwaves or small appliances below countertop
- Opening dimensions 26 3/4" wide X 15 1/4" high
- Interior finished to match cabinet exterior
- Accent molding recommended (order separately)
- Refer to appliance manufacturer's specifications for adequate clearances and required installation materials

RD
RTK

BMU30 UD

Sliding Shelf

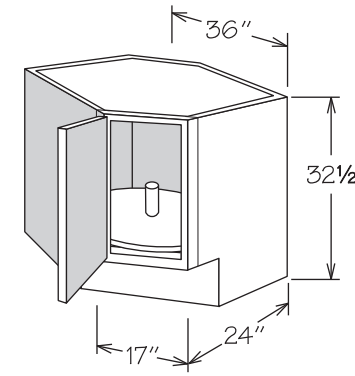


- Field installation accessory
- Engineered wood drawer with solid hardwood front, MDF bottom, and side-mounted drawer glides
- Includes sliding shelf, all glide hardware, and instructions
- SSK drill template is required for all two door cabinets that have fixed center stile - contact Customer Care for drill template

RD

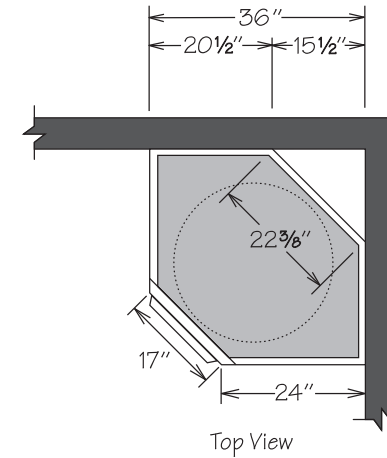
	A
SSK13	10"
SSK15	11 1/2"
SSK16	13"
SSK18	14 1/2"
SSK19	16"
SSK21	17 1/2"
SSK24	20 1/2"
SSK30	26 1/2"
SSK33	29 1/2"
SSK36	32 1/2"

Universal Design Corner Base Susan + Spin Unit

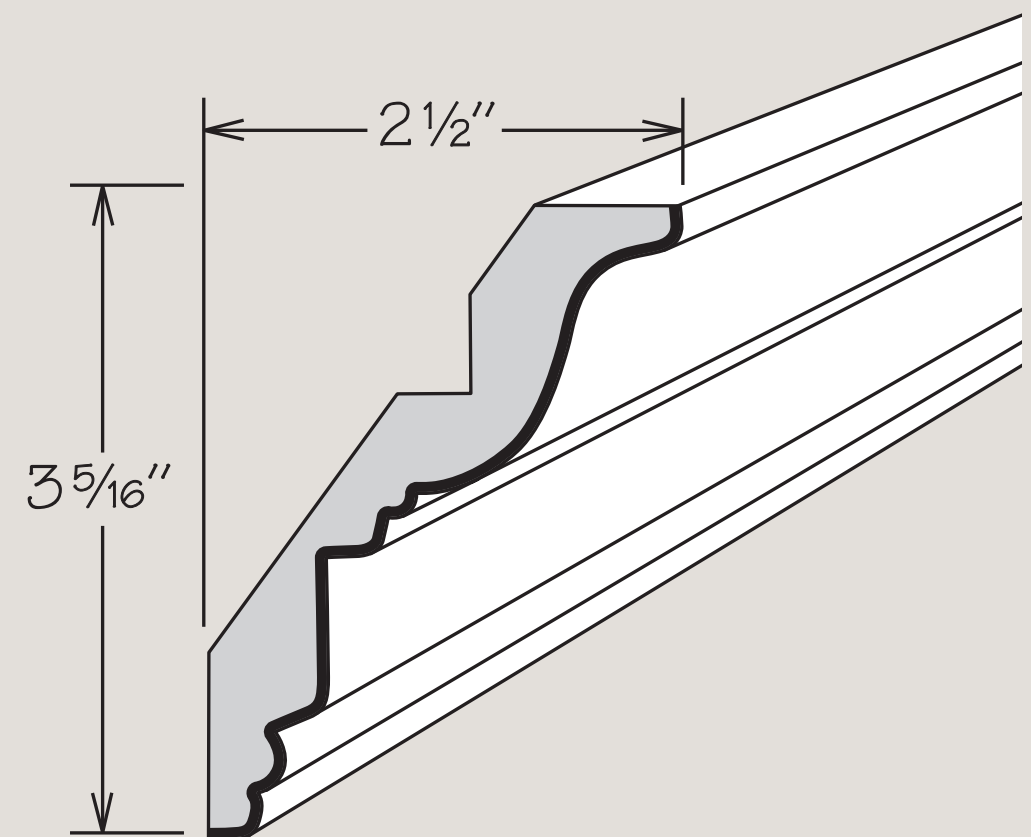


- Features one 28" diameter full round white spin shelf mounted on floor
- Sides are finished
- Cabinet requires a minimum of 34" to fit through doorway
- Additional space recommended if appliance is installed on the hinge side of this cabinet for proper door operation

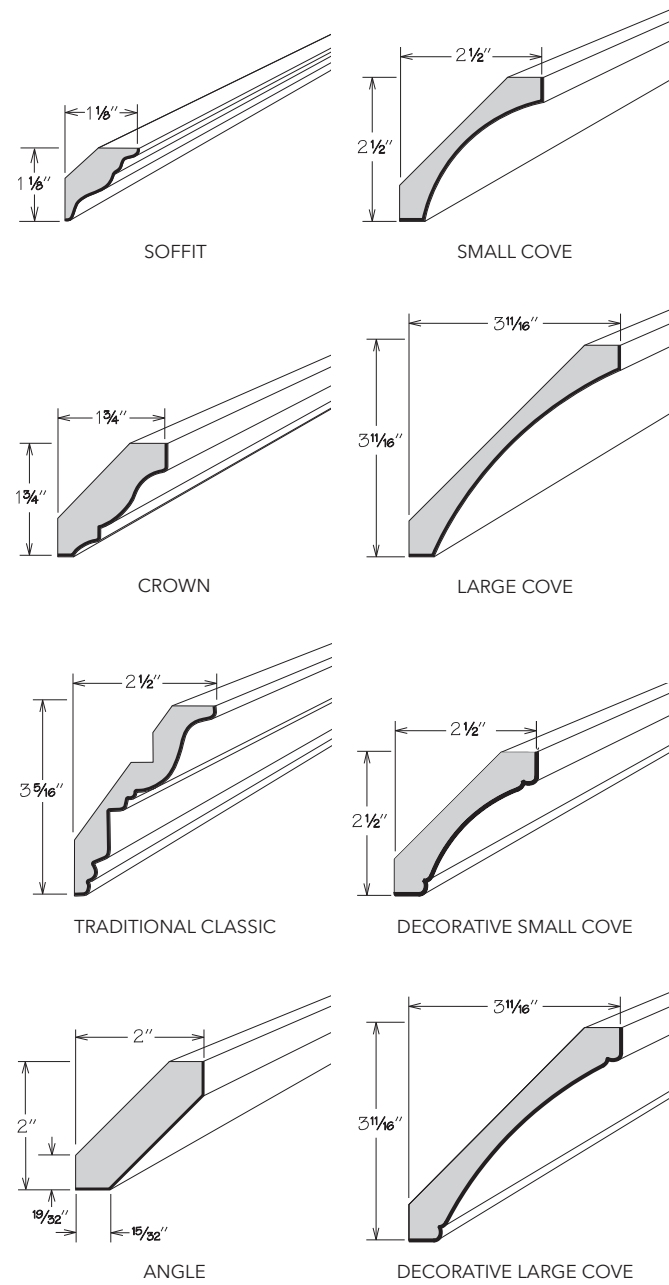
CBS36 UD



MOLDING & TRIM



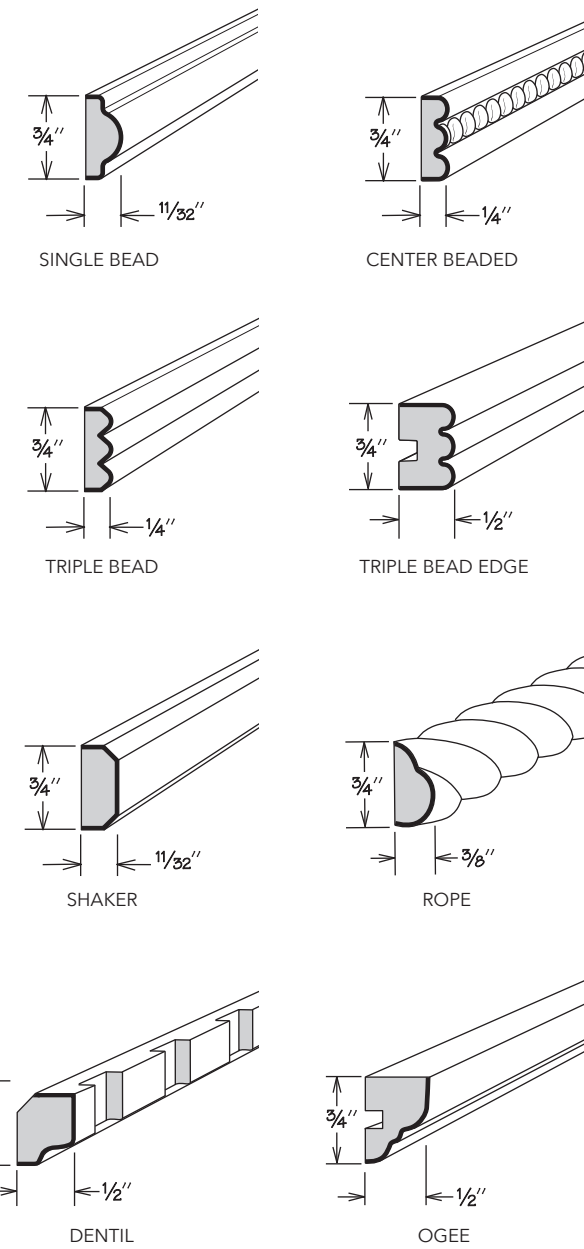
Crown Molding



- Wood door styles feature solid wood finished to match cabinet exterior
- Thermofoil door styles
 - » SCVM8, LCVM8, DSCVM8, and DLCVM8 are painted to match cabinet exterior
 - » SCM8, CM8, TCCM8, and ACM8 are wrapped MDF
- TCCM8 WD may use CBE8, DM8 WD, OGE8, RM8 WD, SBIM8, SIM8, TBE8, or TBIM8 as accent
- 8 feet long
- Bold line indicates finished surface

SOFFIT SCM8 WD	SMALL COVE SCVM8
CROWN CM8 WD	LARGE COVE LCVM8
TRADITIONAL CLASSIC TCCM8 WD	DECORATIVE SMALL COVE DSCVM8
ANGLE ACM8	DECORATIVE LARGE COVE DLCVM8

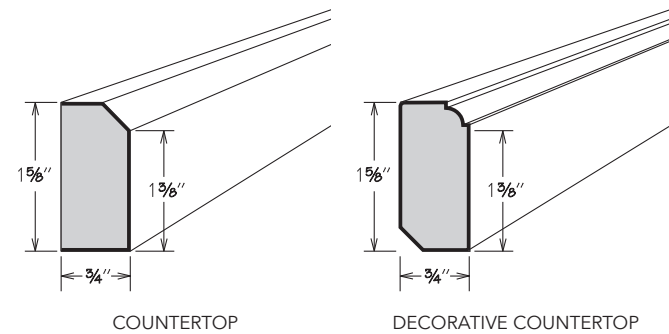
Inset Molding



- Wood door styles feature solid wood finished to match cabinet exterior
- Thermofoil door styles are painted solid wood
- CBE8, TBE8, SBIM8, TBIM8, and SIM8 may be used as accent on TCCM8 WD, SQILR8, and ILR8
- DM8 WD, OGE8, and RM8 WD may be used as accent on TCCM8 WD and ILR8
- 8 feet long
- Bold line indicates finished surface

SINGLE BEAD SBIM8	CENTER BEADED CBE8
TRIPLE BEAD TBIM8	TRIPLE BEAD EDGE TBE8
SHAKER SIM8	ROPE RM8 WD
DENTIL DM8 WD	OGEE OGE8

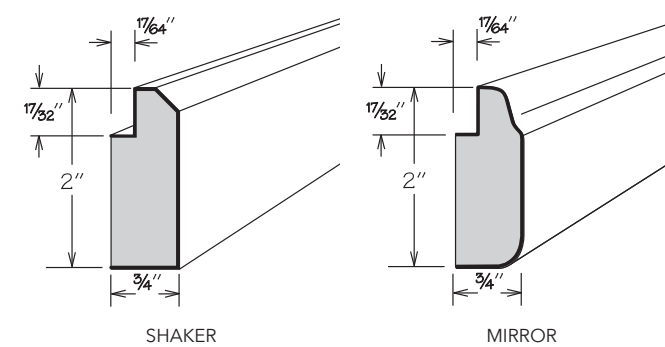
Edge Molding



- Wood door styles feature solid wood finished to match cabinet exterior
- Thermofoil door styles are painted solid wood
- Can be used as light rail molding (cleating required)
- 8 feet long
- Bold line indicates finished surface

COUNTERTOP CTM8 WD	DECORATIVE COUNTERTOP DCTM8
------------------------------	---------------------------------------

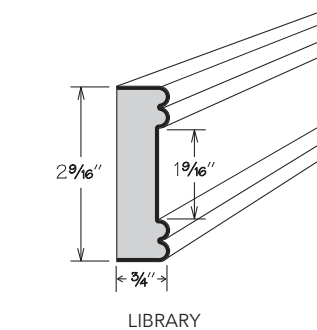
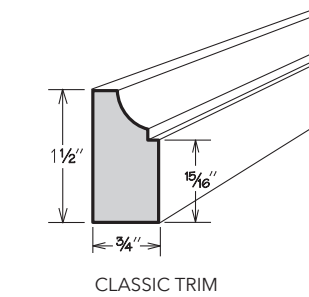
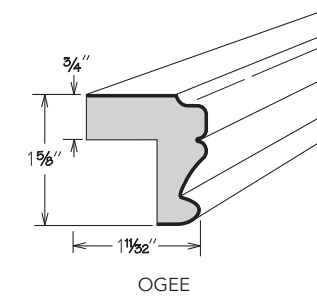
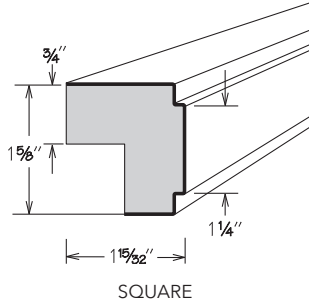
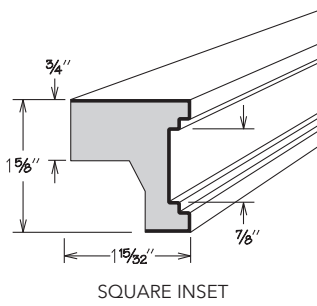
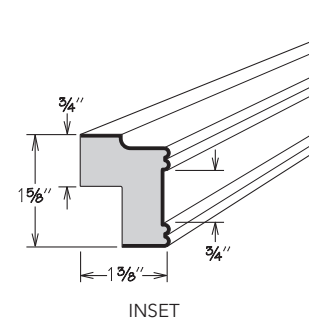
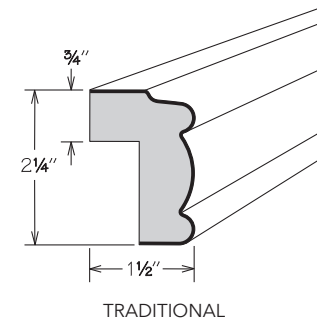
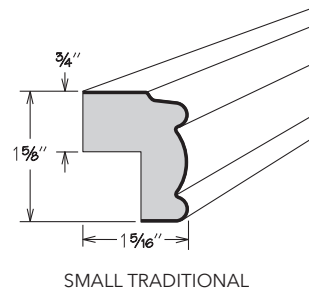
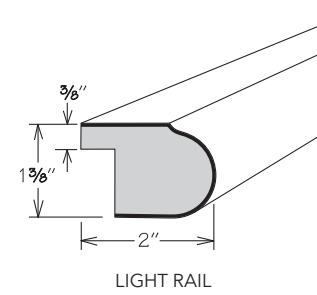
Mirror Molding



- Wood door styles feature solid wood finished to match cabinet exterior
- Thermofoil door styles are painted solid wood
- 8 feet long
- Bold line indicates finished surface

SHAKER SMM8	MIRROR MM8
-----------------------	----------------------

Light Rail Molding



- Wood door styles are finished to match cabinet exterior
 - » Light rail moldings, excluding LR8WD, feature solid wood
 - » LR8WD features veneer wrapped MDF
- Thermofoil door styles:
 - » Features wrapped MDF for TLR8 and LR8
 - » Light rail moldings, excluding TLR8 and LR8, use painted molding
- ILR8 may use CBE8, DM8 WD, RM8 WD, SBIM8, SIM8, TBE8, or TBIM8 as accent
- SQILR8 may use CBE8, DM8 WD, RM8 WD, SBIM8, SIM8, TBE8, or TBIM8 as accent
- CLTM8 can be used as light rail molding (cleating required)
- LBM8 may use CBE8, DM8 WD, RM8 WD, SBIM8, SIM8, TBE8, or TBIM8 as accent
- 8 feet long
- Bold line indicates finished surface

LIGHT RAIL

LR8 WD
LR8

TRADITIONAL

TLR8

SQUARE INSET

SQILR8

OGEE

OGLR8

LIBRARY

LBM8

SMALL TRADITIONAL

STLR8

INSET

ILR8

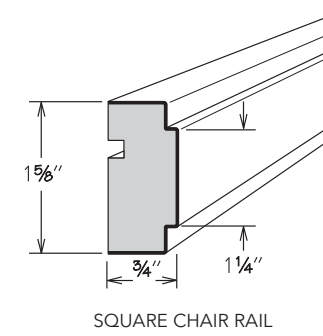
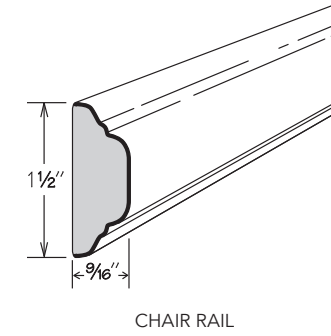
SQUARE

SQLR8

CLASSIC TRIM

CLTM8

Chair Rail Molding



- Wood door styles feature solid wood finished to match cabinet exterior
- Thermofoil door styles are painted wood
- 8 feet long
- Bold line indicates finished surface

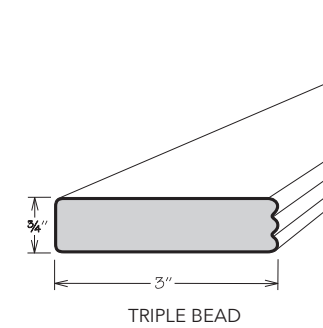
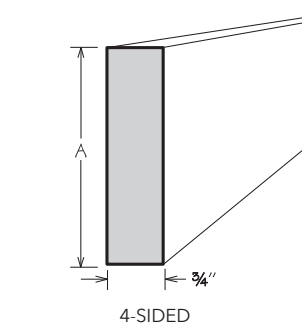
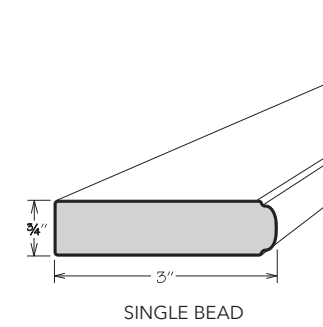
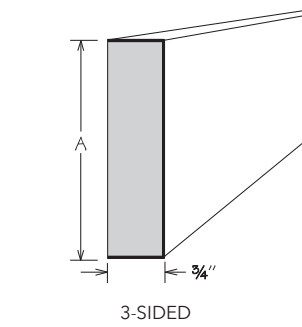
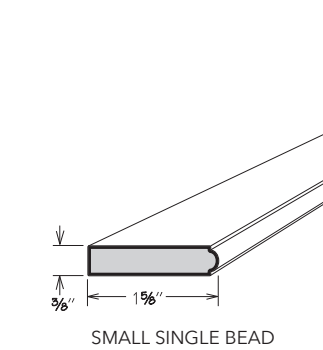
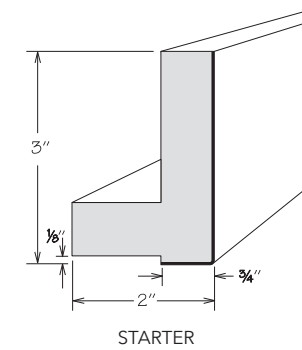
CHAIR RAIL

CR8

SQUARE CHAIR RAIL

SQCR8

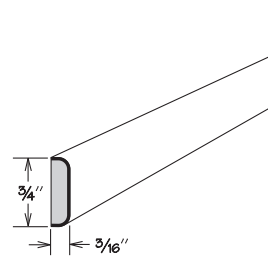
Molding Stock



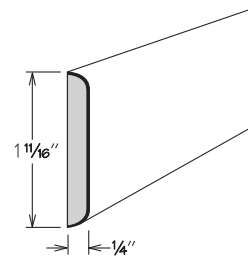
- Wood door styles feature solid wood finished to match cabinet exterior
- Thermofoil door styles use painted molding
- 3-Sided and 4-Sided Stock may also be used in vertical applications (as a filler) or horizontal applications (as furniture toe)
- 8 feet long
- Bold line indicates finished surfaces

	A	A
Starter STRM8	-	Single Bead SBM8
3-Sided S3S396 S3S696	3" 6"	Triple Bead TBM8
4-Sided S4S396 S4S696	3" 6"	Small Single Bead SSBM8

Trim Molding



BATTEN



WIDE BATTEN

- Wood door styles feature solid wood finished to match cabinet exterior
- Thermofoil door styles are painted wood
- CAM8 can be used in corner application to place cabinet at 45° angle
- 8 feet long
- Bold line indicates finished surface

BATTEN

BM8 WD

WIDE BATTEN

WBM8

SCRIBE

SM8 WD

QUARTER ROUND

QR8

INSIDE CORNER

QM8 WD

DECORATIVE INSIDE CORNER

ICM8

OUTSIDE CORNER

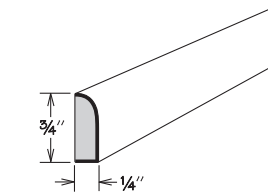
OCM8

ANGLED OUTSIDE CORNER

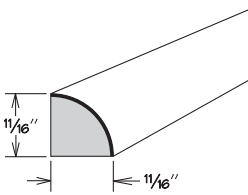
AOSCM8

CABINET ANGLE

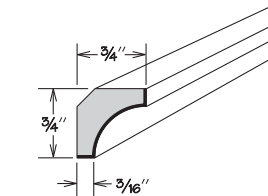
CAM8



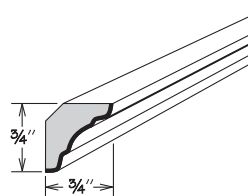
SCRIBE



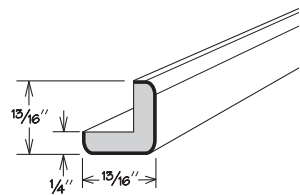
QUARTER ROUND



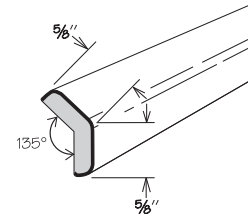
INSIDE CORNER



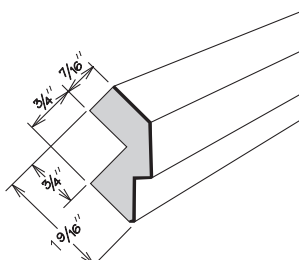
DECORATIVE INSIDE CORNER



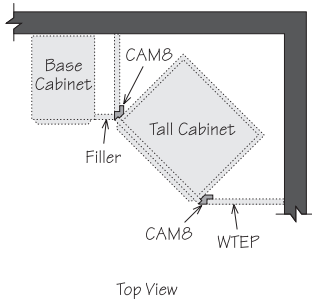
OUTSIDE CORNER



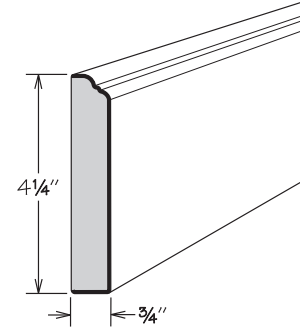
ANGLED OUTSIDE CORNER



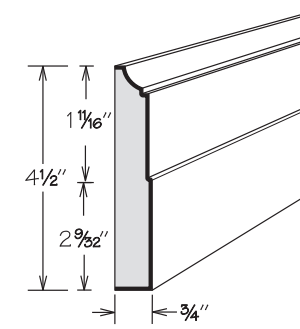
CABINET ANGLE



Base Molding



OGEE PILASTER



CLASSIC BASEBOARD

- Wood door styles feature solid wood finished to match cabinet exterior
- Thermofoil door styles are wrapped MDF
- For use with furniture toe or top molding applications
- 8 feet long
- Bold line indicates finished surface

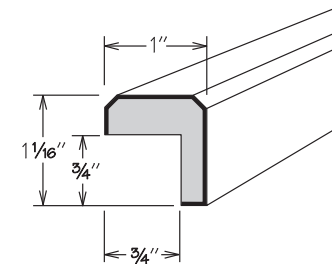
OGEE PILASTER

OGP8

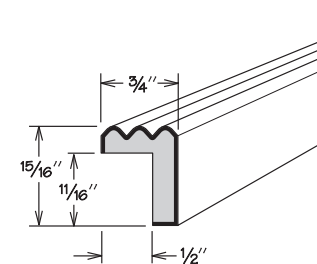
CLASSIC BASEBOARD

CLBM8

Accent Molding



SHAKER



TRIPLE BEAD

- Wood door styles feature solid wood finished to match cabinet exterior
- Thermofoil door styles are painted wood
- May be used as accent on Wall China, Wine Storage, Base Microwave, and Universal Design Base Multi-Use cabinets
- 8 feet long
- Bold line indicates finished surface

SHAKER

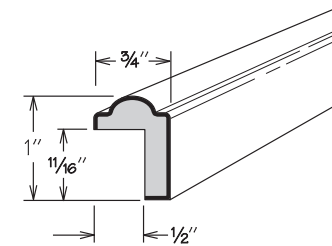
SAM8 WD

TRIPLE BEAD

TBAM8 WD

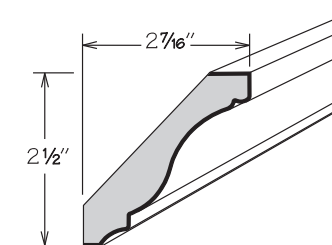
SINGLE BEAD

SBAM8 WD

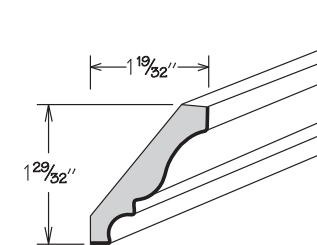


SINGLE BEAD

Builder Crown Molding



LARGE CROWN



CROWN

- Wood door styles feature hardwood finished to match cabinet exterior
- Thermofoil door styles are painted hardwood or MDF
- 8 feet long
- Bold line indicates finished surface

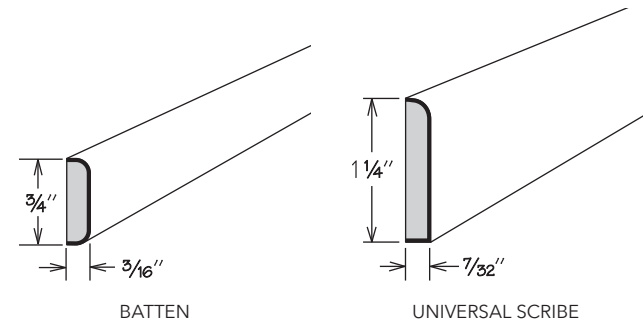
LARGE CROWN

LCM8 BLD

CROWN

CM8 BLD

Builder Trim Molding



- Wood door styles feature hardwood finished to match cabinet exterior
- Thermofoil door styles are painted hardwood or MDF
- 8 feet long
- Bold line indicates finished surface

BATTEN
BM8 BLD

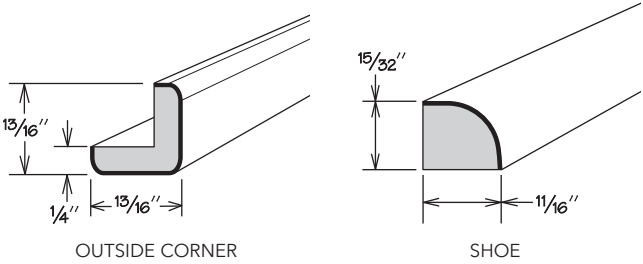
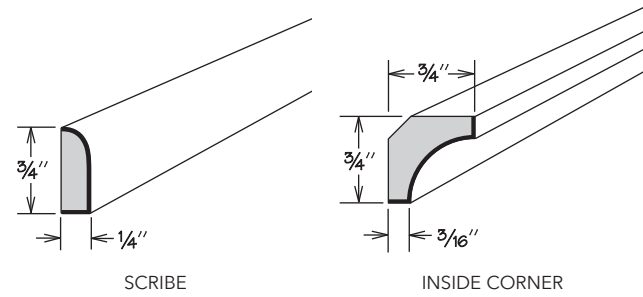
UNIVERSAL SCRIBE
USM8 BLD

SCRIBE
SM8 BLD

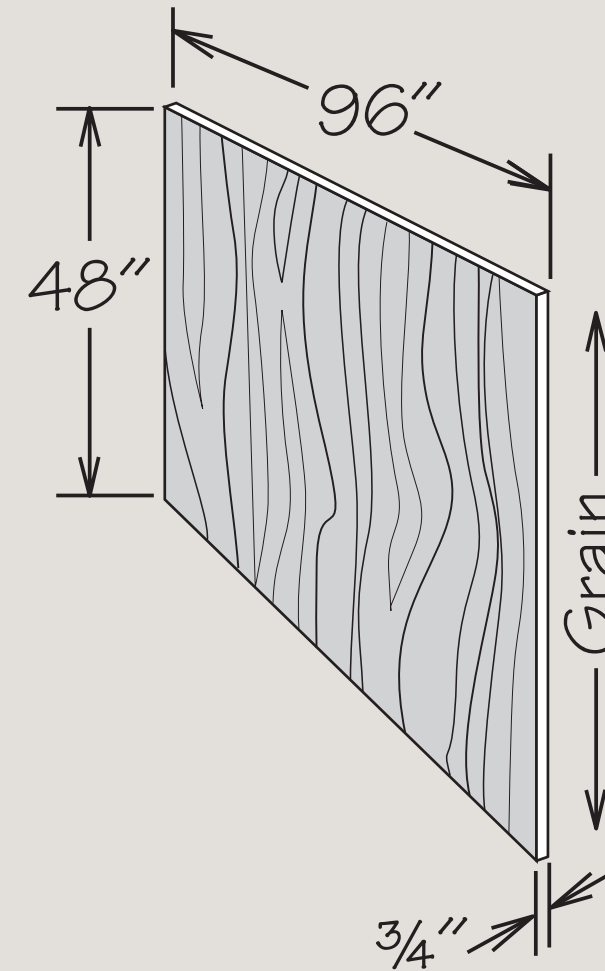
INSIDE CORNER
QM8 BLD

OUTSIDE CORNER
OCM8 BLD

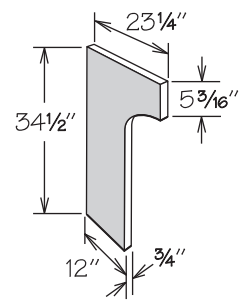
SHOE
SHM8 BLD



PANELS, FILLERS & INSTALLATION ITEMS



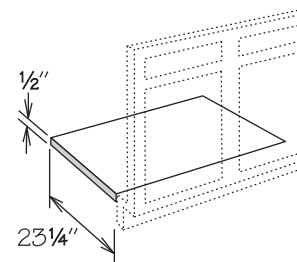
Desk End Panel



- All door styles feature 3/4" veneered engineered wood finished to match cabinet exterior on both sides
- Recommend QM8 WD be ordered for installation to ensure proper attachment to wall
- Field trimmable

DEP

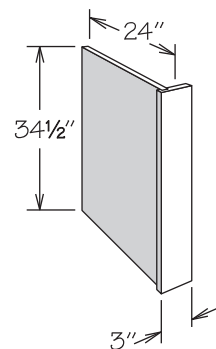
Sink/Vanity Front Floor



- All door styles feature 1/2" engineered wood with Natural TuffTech finish on one side
- 1/2" oversize in width
- FL36X36 to be used for CSF36 (field trim to fit)
- FL48X48 to be used for CSF42 (field trim to fit)
- Field trimmable

FL24
FL36
FL36X36
FL48
FL48X48
FL60
FL72

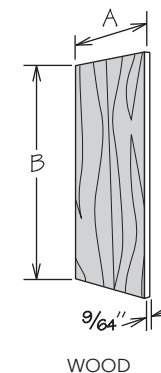
Dishwasher Return



- Reversible for left or right installation
- Solid wood front
- All door styles feature 1/2" engineered wood with outside finished to match cabinet exterior and inside with Natural TuffTech finish
- Attaching blocks included
- Field trimmable to 1" in width
- Can be notched for toe kick in the field

DWR3

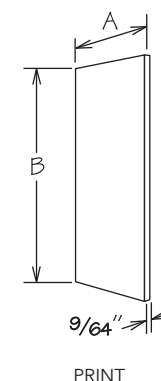
Paneling



WOOD

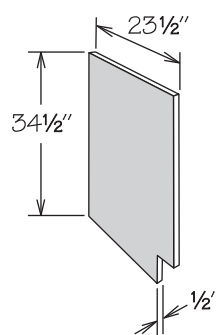
- Wood paneling used for stained door styles and features 3/4" plywood finished on one side
- Print paneling used for Thermofoil door styles and features 3/4" roll-coated industrial substrate finished on one side
- Field trimmable

WOOD	A	B	PRINT	A	B
WEP30 WD	11 1/4"	30 1/8"	WEP30 PRT	11 1/4"	30 1/8"
WEP42 WD	11 1/4"	42 1/8"	WEP42 PRT	11 1/4"	42 1/8"
WEP48 WD	11 1/4"	48"	WEP48 PRT	11 1/4"	48"
WEP1542 WD	14 1/4"	42 1/8"	WEP1542 PRT	14 1/4"	42 1/8"
BEP34 WD	23 1/4"	34 1/2"	BEP34 PRT	23 1/4"	34 1/2"
TEP84 WD	23 1/4"	84"	TEP84 PRT	23 1/4"	84"
TEP96 WD	23 1/4"	96"	TEP96 PRT	23 1/4"	96"
FP4834 WD	48"	34 1/2"	FP4834 PRT	48"	34 1/2"
FP4896 WD	48"	96"	FP4896 PRT	48"	96"
FP9634 WD	96"	34 1/2"	FP9634 PRT	96"	34 1/2"
FP9648 WD	96"	48"	FP9648 PRT	96"	48"



PRINT

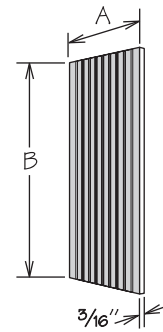
Sink/Vanity Front Return



- All door styles feature 1/2" engineered wood with outside finished to match cabinet exterior and inside with Natural TuffTech finish
- Specify left or right
- Attaching blocks included

SFRR
SFRL

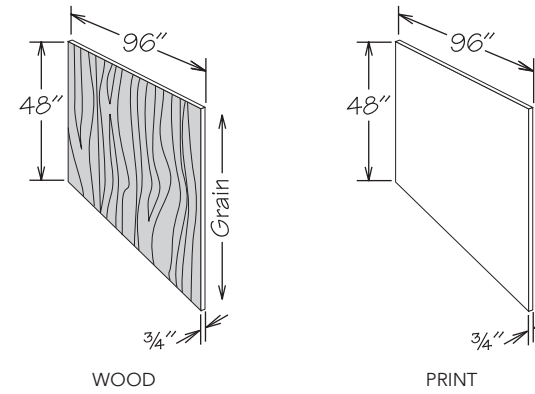
Grooved Paneling



- Grooved every 1 1/2" on one side
- All door styles feature 3/16" plywood finished on one side
- Field trimmable

	A	B
WEP30 GROOVED	11 1/4"	30 1/8"
WEP42 GROOVED	11 1/4"	42 1/8"
WEP48 GROOVED	11 1/4"	48"
WEP1542 GROOVED	14 1/4"	42 1/8"
BEP34 GROOVED	23 1/4"	34 1/2"
TEP84 GROOVED	23 1/4"	84"
TEP96 GROOVED	23 1/4"	96"
FP4834 GROOVED	48"	34 1/2"
FP4896 GROOVED	48"	96"
FP9634 GROOVED	96"	34 1/2"

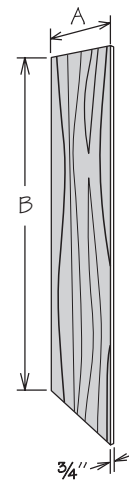
Plywood Panel



- Features 3/4" plywood finished to match cabinet exterior on both sides
- Edge banded on all edges
- Field trimmable
- WP9648 WD used for stained door styles
- WP9648 PRT used for Thermofoil door styles

WOOD	PRINT
WP9648 WD	WP9648 PRT

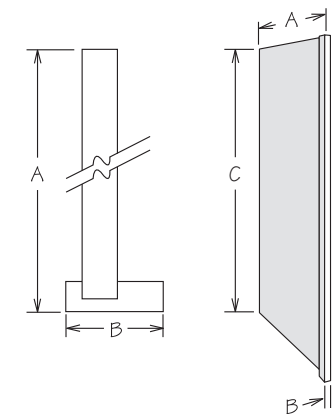
Wood End Panel



- All door styles feature 3/4" engineered wood finished on both sides
- Edge banded on both long edges
- Field trimmable

	A	B
WBEP	24"	34 1/2"
WTPE84	24"	84"
WTPE96	24"	96"
WTPE120	24"	120"
DWTEP84	32"	84"
DWTEP96	32"	96"

Refrigerator Return + 1/2" Panel

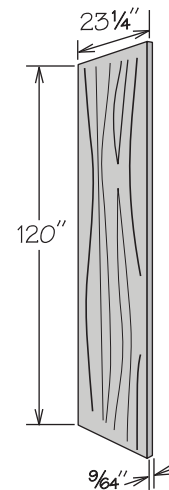


- Reversible for left or right installation
- Solid wood front
- 24" Deep Refrigerator Returns feature 1/2" engineered wood with outside finished to match cabinet exterior and inside with natural woodgrain TuffTech finish
- 32" Deep Refrigerator Returns feature 1/2" plywood with outside finished to match cabinet exterior and inside with natural woodgrain TuffTech finish
- Field trimmable

MI
RD ■

	A	B	C
RR84	24"	1 1/8"	84"
RR384	24"	3"	84"
RR96	24"	1 1/8"	96"
RR396	24"	3"	96"
RR84 X 32DP ■	32"	1 1/8"	84"
RR384 X 32DP ■	32"	3"	84"
RR96 X 32DP ■	32"	1 1/8"	96"
RR396 X 32DP ■	32"	3"	96"

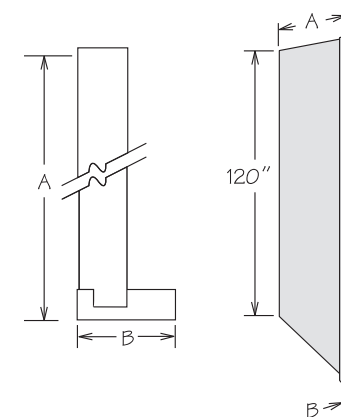
Tall End Panel



- All door styles feature 3/4" plywood finished on one side
- Field trimmable
- Available in all finishes (stained and Thermofoil)

TEP120 WD

Refrigerator Return + 3/4" Panel

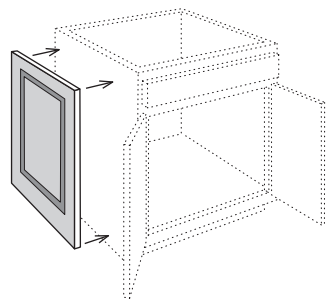


- Reversible for left or right installation
- Solid wood front
- 24" Deep Refrigerator Returns feature 3/4" engineered wood finished on both sides
- 32" Deep Refrigerator Returns feature 3/4" plywood finished on both sides
- Field trimmable

RD
■

	A	B
RR120FL	24"	1 1/8"
RR3120FL	24"	3"
RR120FL X 32DP ■	32"	1 1/8"
RR3120FL X 32DP ■	32"	3"

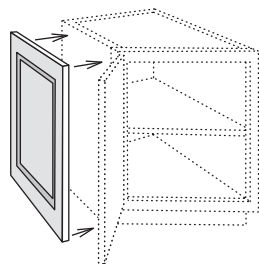
Decorator Matching Doors + Base Cabinets



- BEP34 panel is recommended for installation
- Attaches to side of 24" deep base cabinet
- Matches style and finish of cabinet doors
- Panel thickness is 3/4"
- Refer to Timberlake Parts Directory for dimensions

DMDB

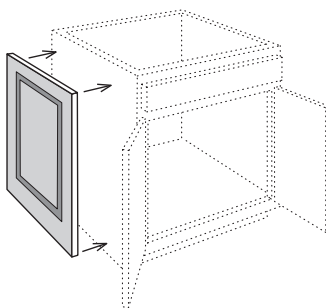
Decorator Matching Doors + BEA12 Base Cabinets



- WEP42 panel is recommended for installation
- Attaches to side of BEA12 or BS2434
- Matches style and finish of cabinet doors
- Panel thickness is 3/4"
- Refer to Timberlake Parts Directory for dimensions

DMDBEA12

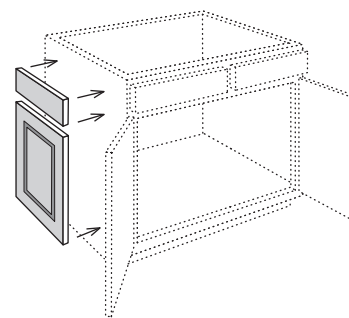
Decorator Matching Doors + Desk Cabinets



- BEP34 panel is recommended for installation
- Attaches to side of 21" or 24" deep desk cabinet
- Matches style and finish of cabinet doors
- Panel thickness is 3/4"
- Refer to Timberlake Parts Directory for dimensions

DMDD21
DMDD24

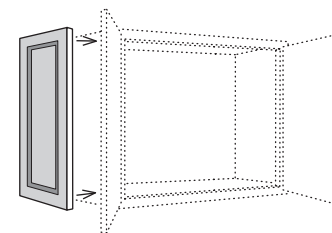
Decorator Matching Doors + Vanity Cabinet



- BEP34 panel is recommended for installation
- Attaches to side of 20 3/4" deep x 31 1/8" high vanity cabinet
- For 18" deep x 31 1/8" high vanity cabinetry order DR1818V ND and DDF18
- For Base Height Vanity order door DR2130 ND for 20 3/4" deep or DR1830 ND for 18" deep cabinetry
- Matches style and finish of cabinet doors
- Panel thickness is 3/4"
- Refer to Timberlake Parts Directory for dimensions

DMDV

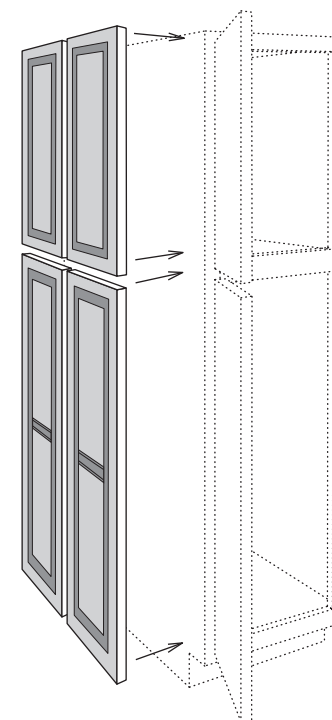
Decorator Matching Doors + Wall Cabinets



- WEP30/WEP42 panel is recommended for installation
- Attaches to side of wall cabinet
- Matches style and finish of cabinet doors
- Panel thickness is 3/4"
- Refer to Timberlake Parts Directory for dimensions

DMDW18
DMDW24
DMDW30
DMDW36
DMDW42

Decorator Matching Doors + Tall Cabinets



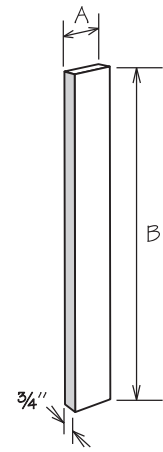
24" Deep Shown

- TEP84/TEP96 panel is recommended for installation
- Attaches to side of utility or oven cabinet
- Matches style and finish of cabinet doors
- Panel thickness is 3/4"
- 24" deep features four doors (as shown)
- 12" deep features two doors
- Bottom doors will have a center rail except for Andover Thermofoil
- Refer to Timberlake Parts Directory for dimensions

12" DEEP
DMDT8412
DMDT9012
DMDT9612

24" DEEP
DMDT8424
DMDT9024
DMDT9624

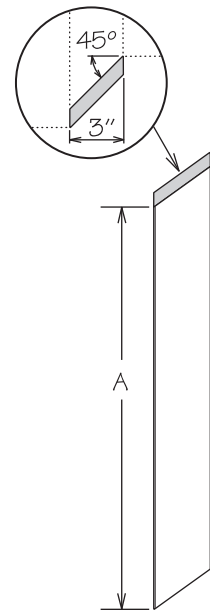
Universal Filler



- 3/4" solid wood
- UF1__ and UF2__ are finished on front, one long, and both short edges
- UF3__, UF6__, and S3S__ are finished on front and all four edges
- S4S__ are finished on front, back, and all four edges
- Field trimmable

	A	B
UF1	1"	30 1/2"
UF2	2"	30 1/2"
UF3	3"	30 1/2"
UF6	6"	30 1/2"
UF142	1"	42 1/8"
UF242	2"	42 1/8"
UF342	3"	42 1/8"
UF642	6"	42 1/8"
UF380	3"	80"
UF680	6"	80"
UF392	3"	92"
UF692	6"	92"
S3S396	3"	96"
S3S696	6"	96"
S4S396	3"	96"
S4S696	6"	96"
UF3120	3"	120"

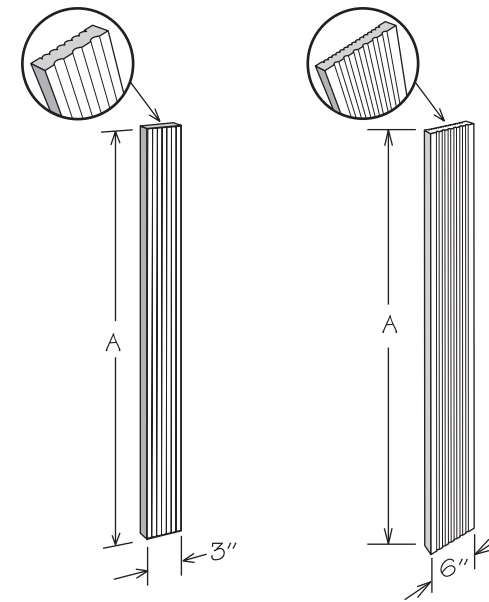
Universal Filler Extension



- 3/4" solid wood
- Finished on front and all four edges
- Field trimmable

	A
UF E3	30 1/2"
UF E342	42 1/8"

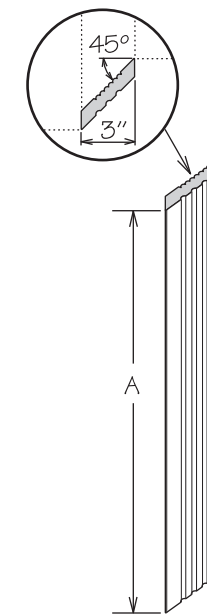
Fluted Beaded Filler + Reversible



- Filler is fluted on one side and beaded on reverse side
- Finished all sides
- 3/4" solid wood
- Apply decorative blocks for accent
- Field trimmable
- Ensure correct side is exposed when installed

3" WIDE		A
FBF3		30 1/2"
FBF342		42 1/8"
FBF384		84"
FBF396		96"
6" WIDE		A
FBF6		30 1/2"
FBF642		42 1/8"
FBF684		84"
FBF696		96"

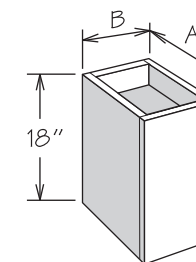
Fluted Beaded Filler Extension + Reversible



- For wall or base application
- Filler is fluted on one side and beaded on reverse side
- Finished all sides
- 3/4" solid wood
- Apply 3" wide decorative blocks for accent
- Field trimmable
- Ensure correct side is exposed when installed

	A
FBF E3	30 1/2"
FBF E342	42 1/8"

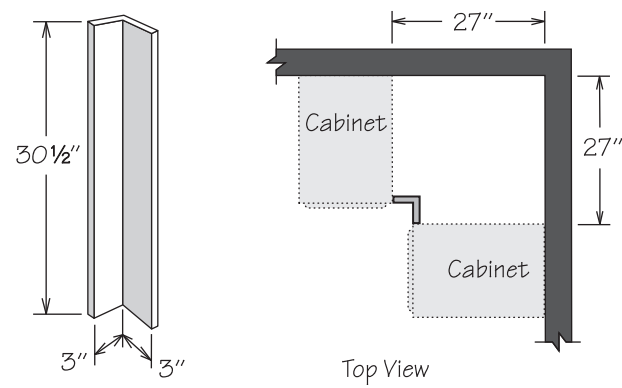
Plain Box Filler



- Veneered engineered wood
- Features 1/4" reveal
- Trimmable in height to 14 1/8" tall
- Reversible for left or right installation

	A	B
WPB91815	15"	9"
WPB121815	15"	12"
WPB91824	24"	9"
WPB121824	24"	12"

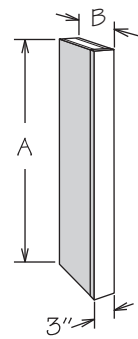
Base Corner Filler



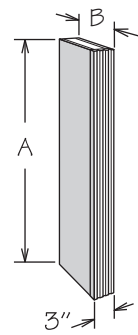
- 3/4" solid wood
- Finished on front and all four edges
- Trimmable

BCF27

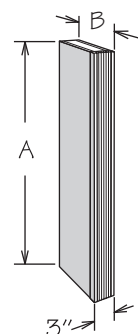
Column Filler



PLAIN (_PC)



FLUTED (_FC)

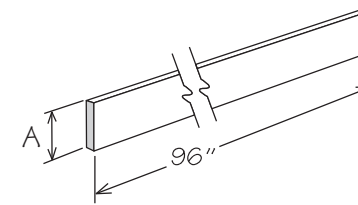


BEADED (_BC)

- 3" wide x 3/4" thick solid wood front
- Finished veneered sides are flush with face
- Reversible for left or right installation
- Top and bottom edges of returns are edge banded
- Apply 3" wide decorative blocks for accent
- Field trimmable to any depth
- Field trimmable in height noted below:
 - » W_C31530 field trimmable to 27 1/8", 24 1/2", 20 5/8", 18 1/8", 15 1/8", or 12 1/8"
 - » W_C31542 field trimmable to 39 1/8" or 36 1/8"
 - » W_C31560 field trimmable to 54" or 48"
 - » B_C32734 field trimmable to 31 1/8" or 28 1/2"
 - » T_C32796 field trimmable to 93" or 90"
 - » T_C32784 not trimmable in height

PLAIN	A	B
Wall		
WPC31530	30 1/8"	15"
WPC31542	42 1/8"	15"
WPC31560	60"	15"
Base		
BPC32734	34 1/2"	27"
Tall		
TPC32784	84"	27"
TPC32796	96"	27"
FLUTED		
Wall		
WFC31530	30 1/8"	15"
WFC31542	42 1/8"	15"
WFC31560	60"	15"
Base		
BFC32734	34 1/2"	27"
Tall		
TFC32784	84"	27"
TFC32796	96"	27"
BEADED		
Wall		
WBC31530	30 1/8"	15"
WBC31542	42 1/8"	15"
WBC31560	60"	15"
Base		
BBC32734	34 1/2"	27"
Tall		
TBC32784	84"	27"
TBC32796	96"	27"

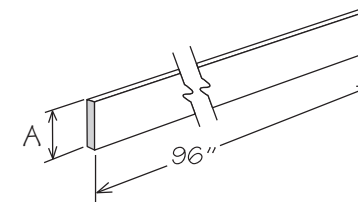
Base Toe Kick + WD



- For wood door styles
- Features 3/4" plywood finished on one side
- Touch Up Kit recommended for exposed ends

	A
BTK8 WD	3 15/16"
BTK8 WD UD	8"

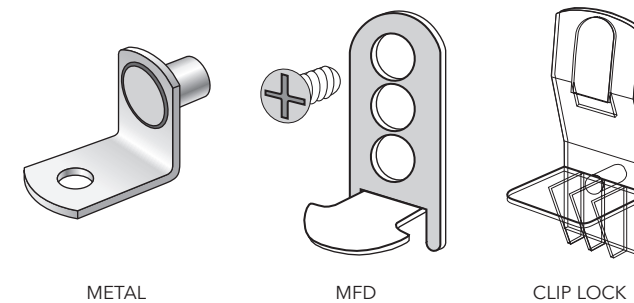
Base Toe Kick + PRT



- For Thermofoil door styles only
- Features 3/4" roll-coated industrial substrate finished on one side
- Touch Up Kit recommended for exposed ends

	A
BTK8 PRT	3 15/16"
BTK8 PRT UD	8"

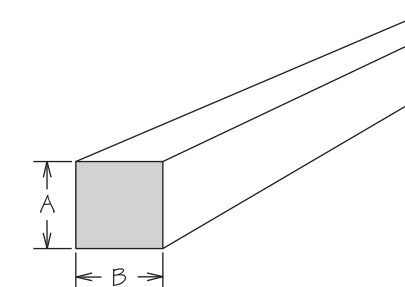
Shelf Rests



- Metal and MFD shelf rests are nickel plated steel
- MFD shelf rests are six position adjustable for alignment of shelf with mullion
- Clip Lock shelf rests are molded clear high-strength polycarbonate

	QTY.
Bookshelves & Wall Shelves	
SHELF REST METAL 4PK	4
SHELF REST METAL 12	12
Mullion Frame Cabinet Shelves	
SHELF REST MFD PK	8
1/2" Base Shelves	
CLIP LOCK SHELF 4 PK	4
3/4" Base & Tall Shelves	
CLIP LOCK SHELF 3/4 4 PK	4

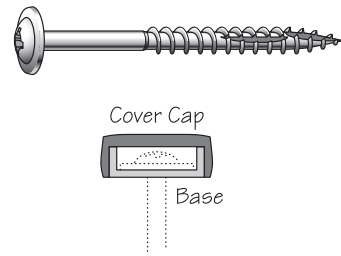
Cleat



- Unfinished
- HWC 1/2X1/2X96 and HWC 3/4X3/4X96 are shipped in two 48" long pieces

	A	B
HWC 1/2X1/2X96	1/2"	1/2"
HWC 3/4X3/4X96	3/4"	3/4"
HWC 1X2X96	3/4"	1 1/2"
HWC 2X4X96	1 1/2"	3 1/2"

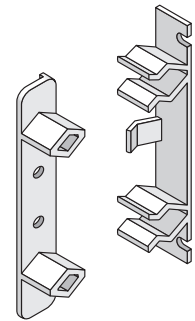
Screws & Screw Cover Caps



- Installation screws are Phillips panhead 2 1/2" long
- Cover caps used to conceal head of installation screw

	QTY.
SCREW INST 2.5 BX100	100
COVER CAP TAN	50
COVER CAP WHT	50

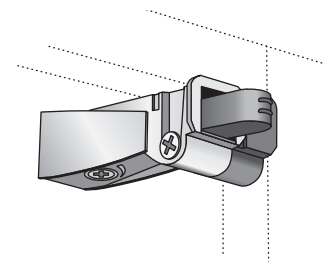
Dummy Drawer Front Fastener



- For installation of one dummy drawer front
- Kit contents:
 - » Two sets of DDF Fasteners
 - » Eight screws
 - » One instruction sheet
- Please refer to cabinet specifications as some cabinets will require more than one kit

DDF FASTENER

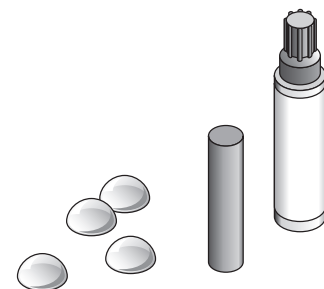
CushionClose Door Buffer



- Field installation accessory
- Slow closing system helps reduce slams and noise
- Package includes one unit and installation instructions
- Pre-drilling of face frames recommended
- One unit per door recommended for doors up to 30" high
- Two units per door recommended for doors 36" and higher
- Not for use on following SKUs: BEA12 FH, BER, BFP3, BPP9, BPP12, BPPUS9, BPPUS12, BTDP9, BWBB, BSS, CAR, DWBB, VWBB, WEA, or WER

CUSH CLOSE DR BUFFER

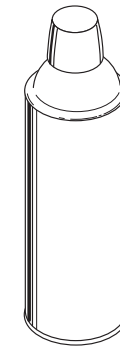
Touch Up Kit



- Kit for repairing minor dents, gouges, scratches, and surface imperfections includes:
 - » Putty Stick
 - » Touch Up Marker
 - » Door bumpers
- Instructions printed on bag

TOUCHUP KIT

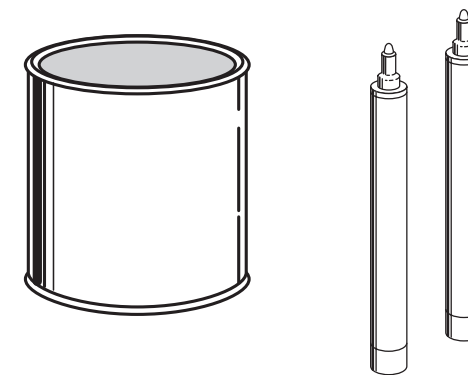
Spray Stain



- SPRAY STAIN TINTED available for wood door styles excluding Nutmeg
- SPRAY STAIN WHITE for Andover White door styles
- SPRAY STAIN CLEAR for use as top coat for all door styles
- Indicate species and finish when ordering
- 11 ounce aerosol spray can

SPRAY STAIN CLEAR
SPRAY STAIN TINTED

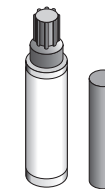
Stain



- STAIN PINT (QUART) for use on standard finishes
- STAIN TOP COAT strongly recommended for application over ALL finishes (order separately)
- Indicate species and finish when ordering
- PINT covers approximately 40 square feet
- QUART covers approximately 80 square feet
- Instructions included

STAIN PINT
STAIN QUART
STAIN TOP COAT PINT
STAIN TOP COAT QUART

Putty Stick & Marker

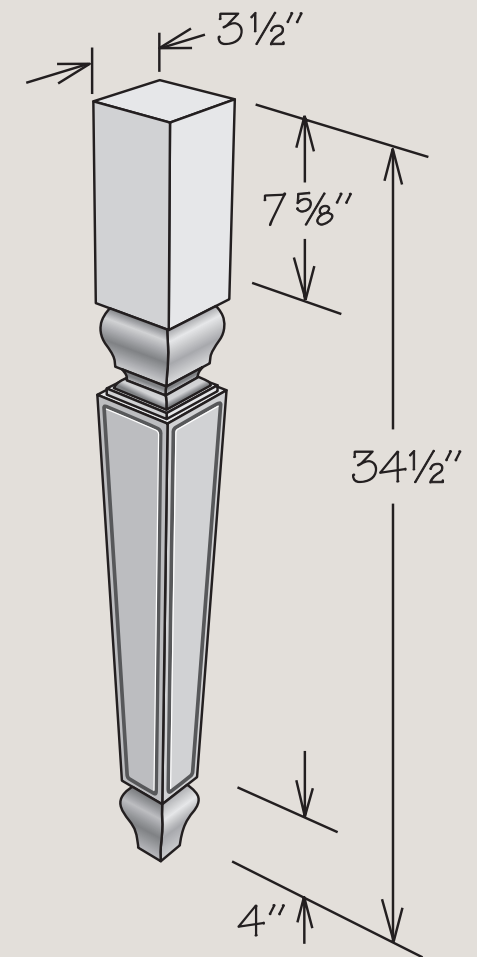
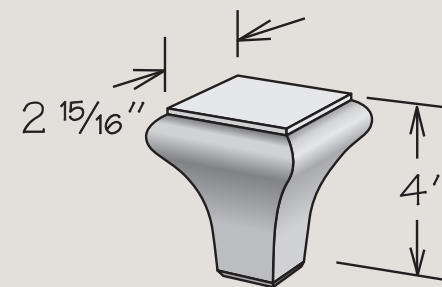
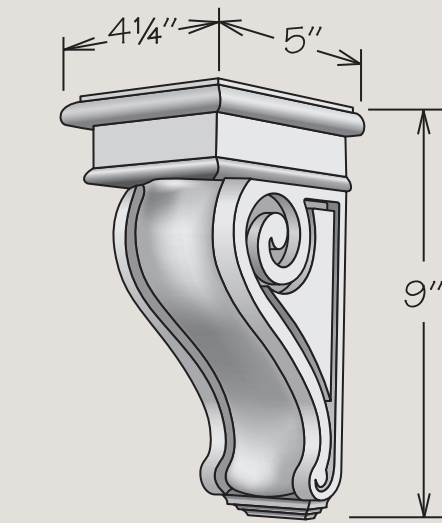


- Indicate species and finish when ordering
- Refer to chart to order correct QTY
- Putty Stick - for filling minor dents, gouges, and scratches made during or after installation
- Touch Up Marker - adds color to minor surface scratches

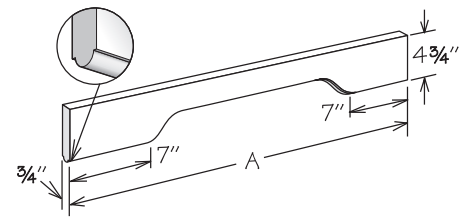
PUTTY STICK EXT QTY1
PUTTY STICK EXT QTY2
PUTTY STICK INTERIOR
TU MARKER EXT QTY1
TU MARKER EXT QTY2
TU MARKER INTERIOR

Finish Color	Putty Stick	TU Marker
Nutmeg	PUTTY STICK EXT QTY2	TU MARKER EXT QTY1
Spice	PUTTY STICK EXT QTY1	TU MARKER EXT QTY1
Rye	PUTTY STICK EXT QTY1	TU MARKER EXT QTY1
Interior	PUTTY STICK INTERIOR	TU MARKER INTERIOR
White	PUTTY STICK EXT QTY2	TU MARKER EXT QTY2

DECORATIVE ACCENTS



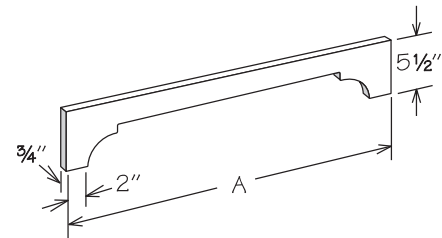
Arched Valance



- Field trimmable
- All door styles feature solid wood finished to match cabinet exterior
- Dimension from height of arch to top of valance is 2 1/2"

	A	MAX. TRIM (6 1/8" each end)
V36 AR	36 1/4"	24"
V48 AR	48 1/4"	36"
V60 AR	60 1/4"	48"
V72 AR	72 1/4"	60"

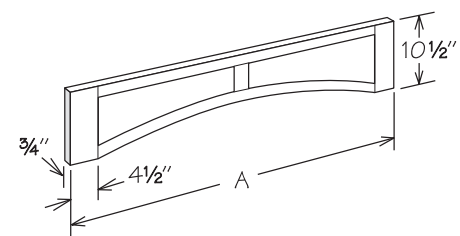
Crown Valance



- Field trimmable
- All door styles feature solid wood finished to match cabinet exterior
- Dimension from height of arch to top of valance is 2 1/4"

	A	MAX. TRIM (1 1/2" each end)
V30 CR	30 1/4"	27 1/4"
V36 CR	36 1/4"	33 1/4"
V42 CR	42 1/4"	39 1/4"
V48 CR	48 1/4"	45 1/4"
V60 CR	60 1/4"	57 1/4"
V72 CR	72 1/4"	69 1/4"

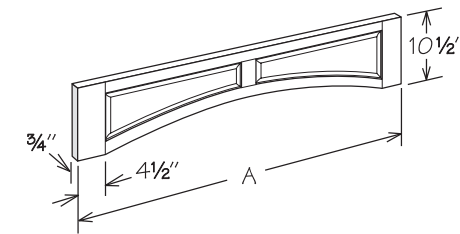
Flat Panel Arched Valance



- Field trimmable
- Features solid wood finished to match cabinet exterior
- Dimension from height of arch to top of valance is 8 1/2"

	A	MAX. TRIM (3" each end)	NUMBER OF PANELS
V36 FP	36"	30"	2
V42 FP	42"	36"	2
V48 FP	48"	42"	2
V54 FP	54"	48"	3
V60 FP	60"	54"	3
V66 FP	66"	60"	3
V72 FP	72"	66"	3

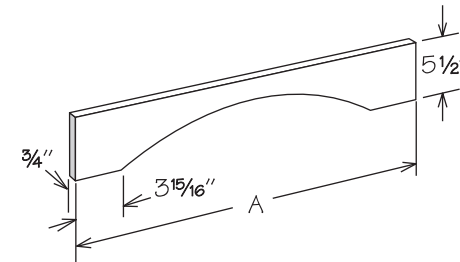
Raised Panel Arched Valance



- Field trimmable
- Features solid wood finished to match cabinet exterior
- Dimension from height of arch to top of valance is 8 1/2"

	A	MAX. TRIM (3" each end)	NUMBER OF PANELS
V36 RP	36"	30"	2
V42 RP	42"	36"	2
V48 RP	48"	42"	2
V54 RP	54"	48"	3
V60 RP	60"	54"	3
V66 RP	66"	60"	3
V72 RP	72"	66"	3

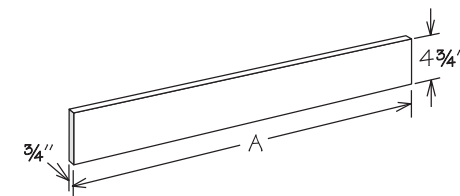
Shaker Valance



- Field trimmable
- All door styles feature solid wood finished to match cabinet exterior
- Dimension from height of arch to top of valance is 2 1/4"

	A	MAX. TRIM (3 1/8" each end)
V30 SH	30 1/4"	24"
V36 SH	36 1/4"	30"
V42 SH	42 1/4"	36"
V48 SH	48 1/4"	42"
V60 SH	60 1/4"	54"
V72 SH	72 1/4"	66"

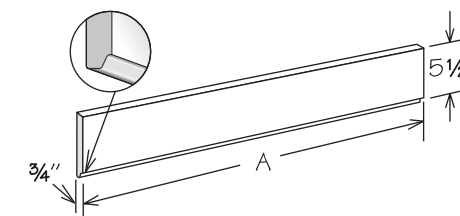
Straight Valance



- Field trimmable
- All door styles feature solid wood finished to match cabinet exterior

	A
V48 S	48 1/4"
V72 S	72 1/4"

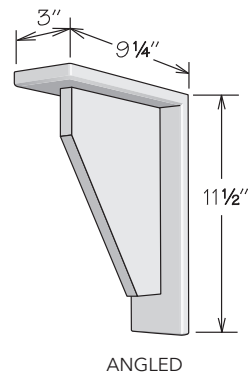
Traditional Valance



- Field trimmable
- All door styles feature solid wood finished to match cabinet exterior

	A
V36 T	36 1/4"
V72 T	72 1/4"
V96 T	96 1/4"

Countertop Support

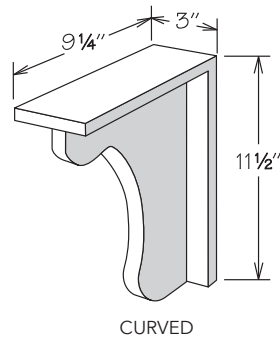


ANGLED

- Wood door styles feature 3/8" solid wood finished to match cabinet exterior
- Thermofoil door styles use painted 3/8" solid wood
- For decorative use only

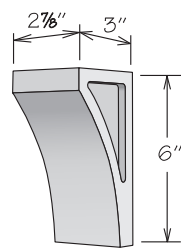
ANGLED
AS12

CURVED
CS12

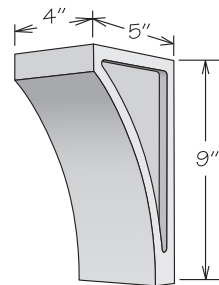


CURVED

Cove Corbels



SMALL



MEDIUM

- Wood door styles feature solid wood finished to match cabinet exterior
- Thermofoil door styles are painted solid wood
- Recessed mounting clips included
- For decorative use only
- Complements the Parker, Base Square, and Base Tapered legs and feet

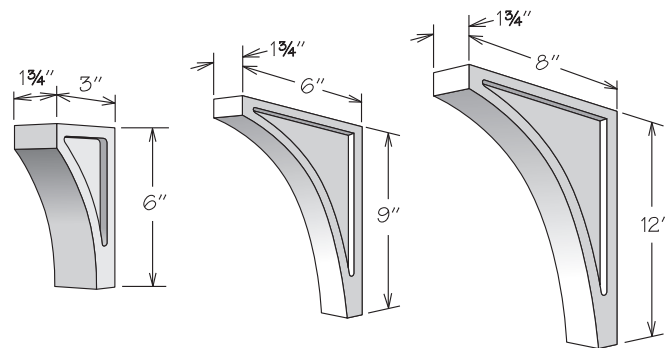
SMALL
CC36

MEDIUM
CC49

SMALL NARROW
CC26

LARGE NARROW
CC212

MEDIUM NARROW
CC29

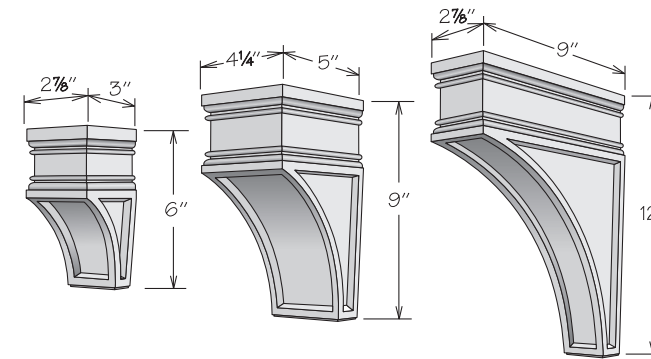


SMALL NARROW

MEDIUM NARROW

LARGE NARROW

Valencia Corbels



SMALL

MEDIUM

LARGE

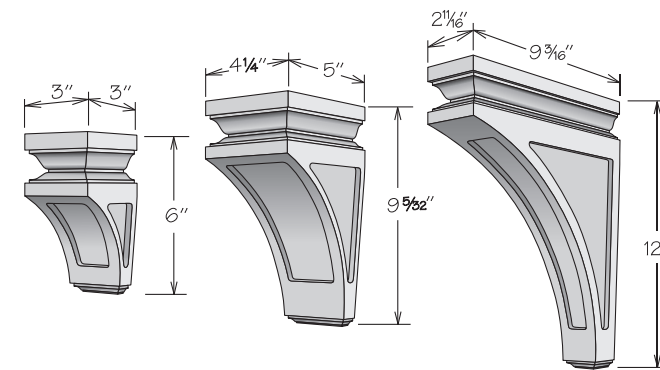
- Wood door styles feature solid wood finished to match cabinet exterior
- Thermofoil door styles are painted solid wood
- Recessed mounting clips included
- For decorative use only
- Complements the Estelle legs and foot

SMALL
VC36

LARGE
VC312

MEDIUM
VC49

Belhaven Corbels



SMALL

MEDIUM

LARGE

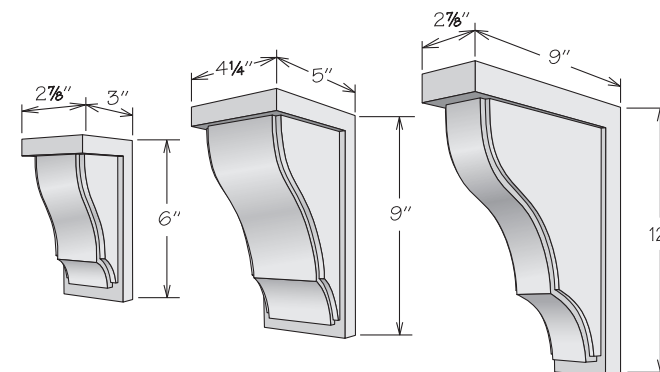
- Wood door styles feature solid wood finished to match cabinet exterior
- Thermofoil door styles are painted solid wood
- Recessed mounting clips included
- For decorative use only
- Complements the Yates legs and foot

SMALL
BC36

LARGE
BC312

MEDIUM
BC49

Finley Corbels



SMALL

MEDIUM

LARGE

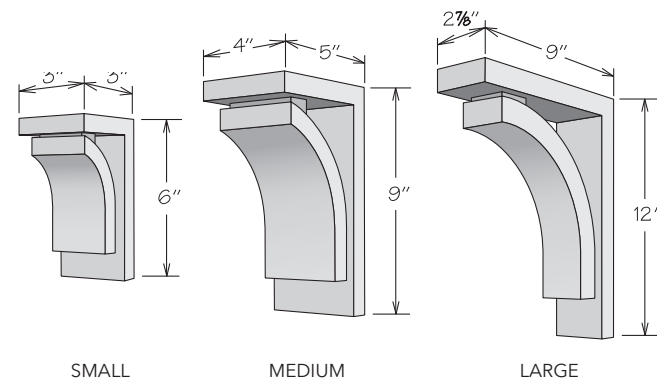
- Wood door styles feature solid wood finished to match cabinet exterior
- Thermofoil door styles are painted solid wood
- Recessed mounting clips included
- For decorative use only
- Complements the Orlean legs and foot

SMALL
FC36

LARGE
FC312

MEDIUM
FC49

Prairie Corbels



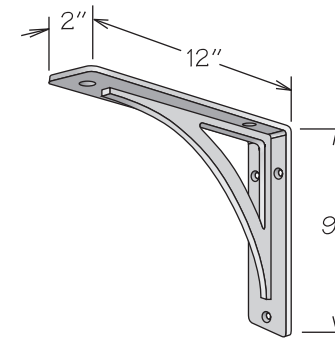
- Wood door styles feature solid wood finished to match cabinet exterior
- Thermofoil door styles are painted solid wood
- Recessed mounting clips included
- For decorative use only
- Complements the Parker legs and foot

SMALL
PC36

LARGE
PC312

MEDIUM
PC49

Metal Cove Corbel

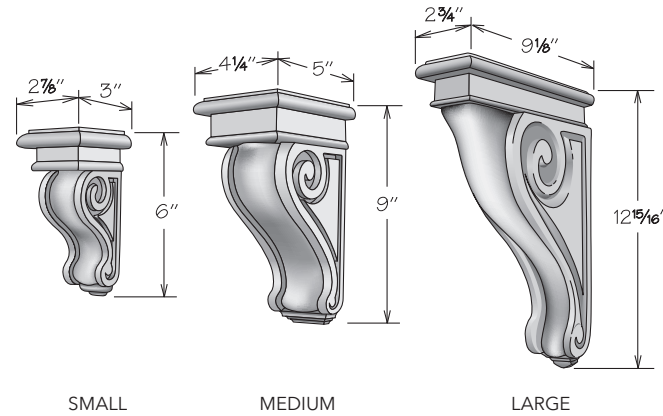


- Mounting clips included
- Can be installed using either height orientation
- Will support up to 100 lbs. when installed per included installation instructions

METAL COVE 212 VB
METAL COVE 212 MB
METAL COVE 212 SN
METAL COVE 212 PC

FINISH
Verona Bronze
Matte Black
Satin Nickel
Polished Chrome

Rosette Corbels



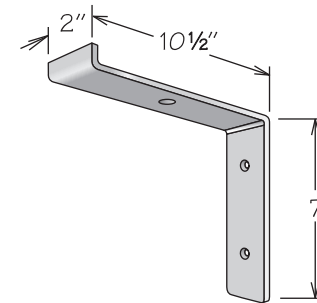
- Wood door styles feature solid wood finished to match cabinet exterior
- Thermofoil door styles are painted solid wood
- Recessed mounting clips included
- For decorative use only
- Complements the Base Turned Leg, Accent Turned Foot and Chantilly legs and foot

SMALL
RC36

LARGE
RC313

MEDIUM
RC49

Metal Emerson Corbel

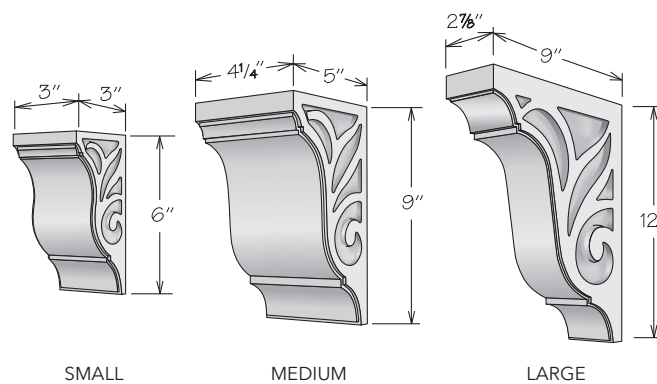


- Mounting clips included
- Will support up to 100 lbs. when installed per included installation instructions

METAL EMERSON 27 VB
METAL EMERSON 27 MB
METAL EMERSON 27 SN
METAL EMERSON 27 PC

FINISH
Verona Bronze
Matte Black
Satin Nickel
Polished Chrome

Laurel Corbels



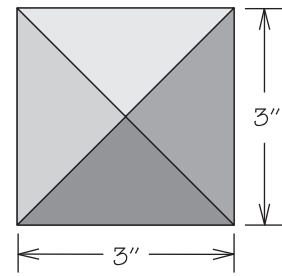
- Wood door styles feature solid wood finished to match cabinet exterior
- Thermofoil door styles are painted solid wood
- Recessed mounting clips included
- For decorative use only
- Complements the Chantilly legs and foot

SMALL
LC36

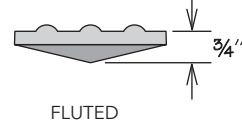
LARGE
LC312

MEDIUM
LC49

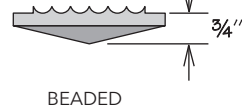
Decorative Blocks



PYRAMID



FLUTED



BEADED

- For use with Fluted Beaded Fillers
- Solid wood

FLUTED

Pyramid
FB3X3 PYRAMID

Rosette
FB3X3 ROSETTE

Aster
FB3X6 ASTER

Plinth - 3"
FB3X4 PLINTH

Plinth - 6"
FB6X6 PLINTH

BEADED

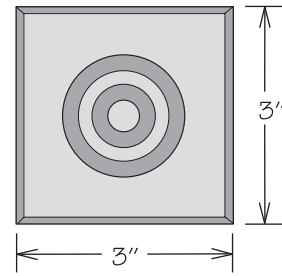
Pyramid
BB3X3 PYRAMID

Rosette
BB3X3 ROSETTE

Aster
BB3X6 ASTER

Plinth - 3"
BB3X4 PLINTH

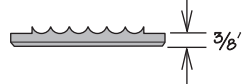
Plinth - 6"
BB6X6 PLINTH



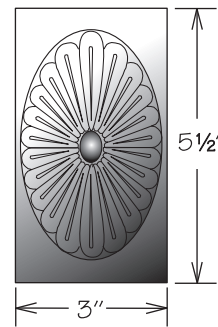
ROSETTE



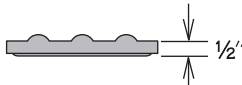
FLUTED



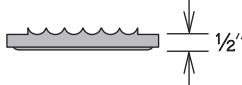
BEADED



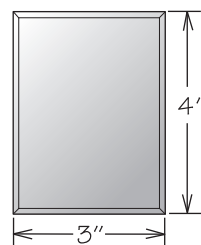
ASTER



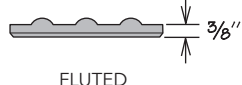
FLUTED



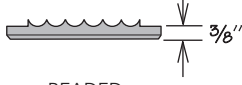
BEADED



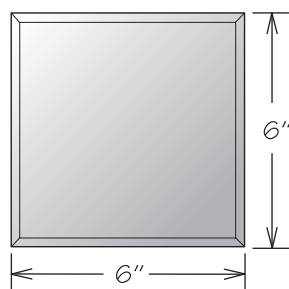
PLINTH - 3"



FLUTED



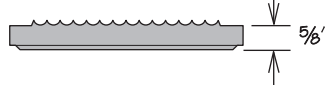
BEADED



PLINTH - 6"

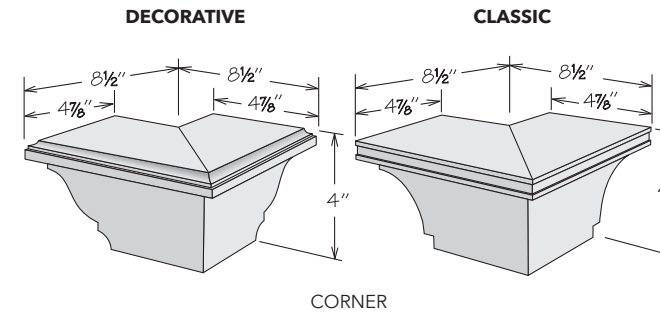


FLUTED

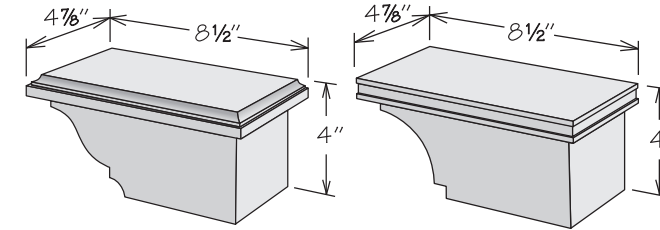


BEADED

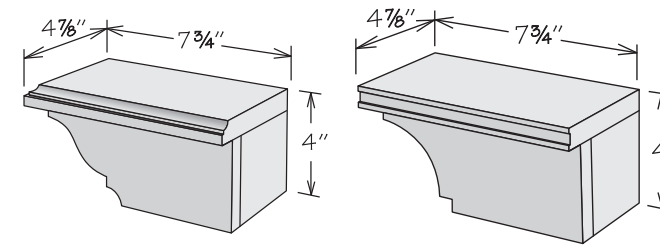
Furniture Toe Kick



CORNER



END (RIGHT SHOWN)



FLUSH (RIGHT SHOWN)

- Wood door styles feature solid wood finished to match cabinet exterior
- Thermofoil door styles are painted solid wood
- Decorator Matching Door or BEP panel recommended
- Field trimmable in depth
- Furniture Toe Kick Corner is only for use on a cabinet with Recessed Toe Kick Option (RTK) and is reversible for left or right installation
- Furniture Toe Kick End is recommended for end-of-the-run application when space allows for an overhang and must be ordered as left or right (i.e. end-of-run not against a wall, stand alone vanity, etc.)
- Furniture Toe Kick Flush is recommended for applications that do not allow for an overhang and must be ordered as left or right (i.e. against a wall, panel, or when using a left or right together)

DECORATIVE

Corner
DFTK-C

End
DFTK-E L
DFTK-E R

Flush
DFTK L
DFTK R

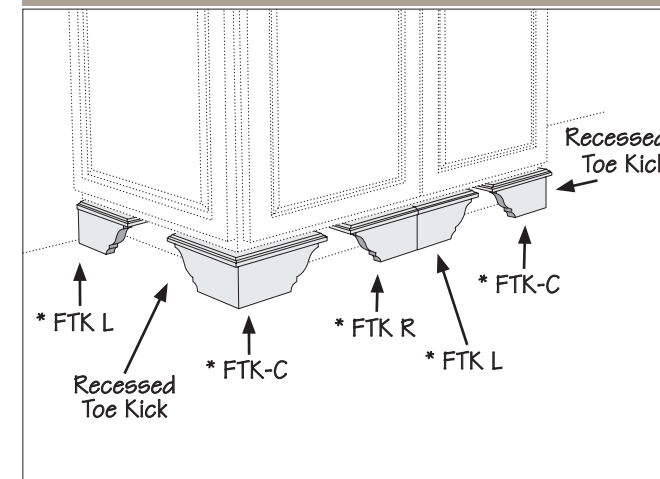
CLASSIC

Corner
CFTK-C

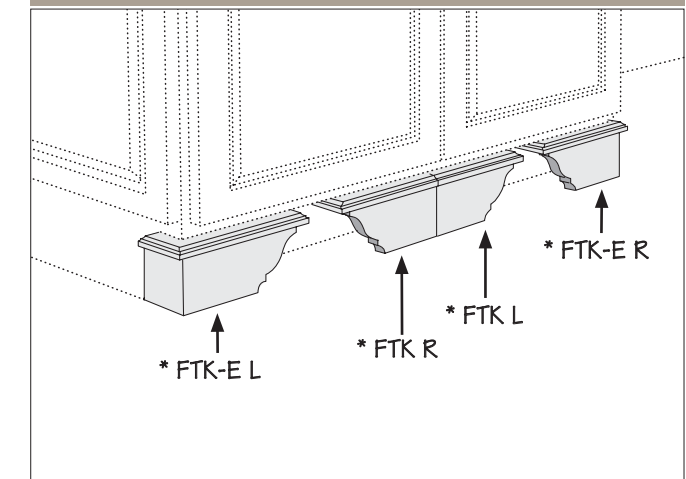
End
CFTK-E L
CFTK-E R

Flush
CFTK L
CFTK R

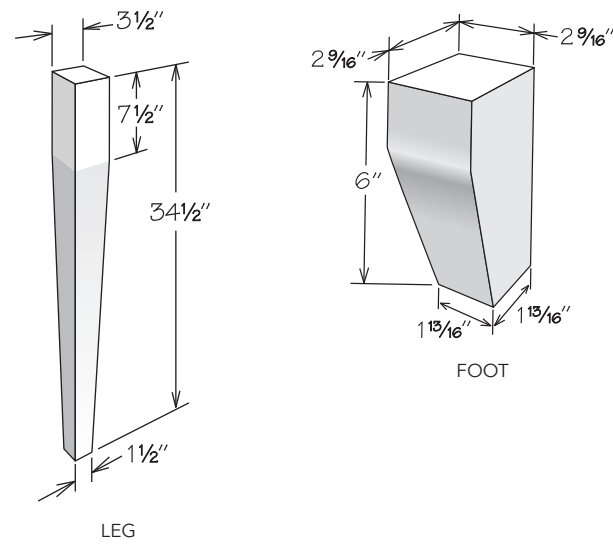
RECESSED TOE KICK APPLICATION



STANDARD TOE KICK APPLICATION



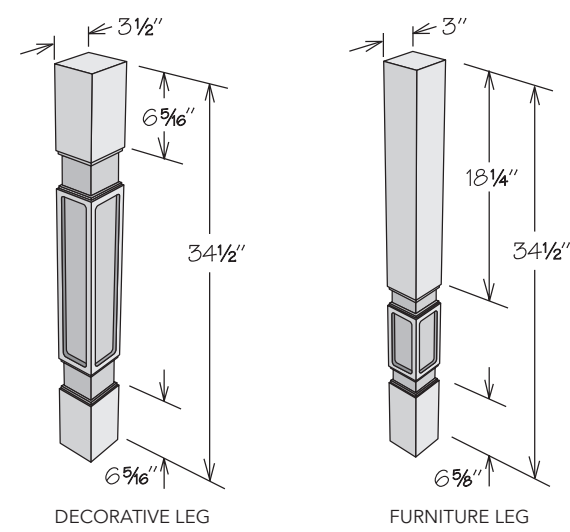
Base Tapered Leg and Foot



- Wood door styles feature solid wood finished to match cabinet exterior
- Thermofoil door styles are painted solid wood
- Base Tapered Leg is tapered on all sides and is field trimmable
- Base Tapered Foot is tapered on two sides and is field trimmable to 4" high
- Complements the Cove corbels

LEG _____ **FOOT** _____
 BTPL _____ TPF _____

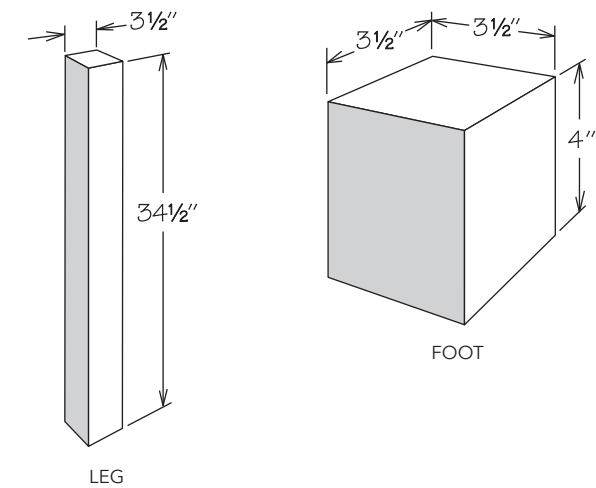
Parker Legs and Foot



- Wood door styles feature solid wood finished to match cabinet exterior
- Thermofoil door styles are painted solid wood
- Legs are field trimmable
- Complements the Prairie and Cove corbels

DECORATIVE LEG _____ **FURNITURE LEG** _____
 PDL _____ PFL _____
FOOT _____
 PDF _____

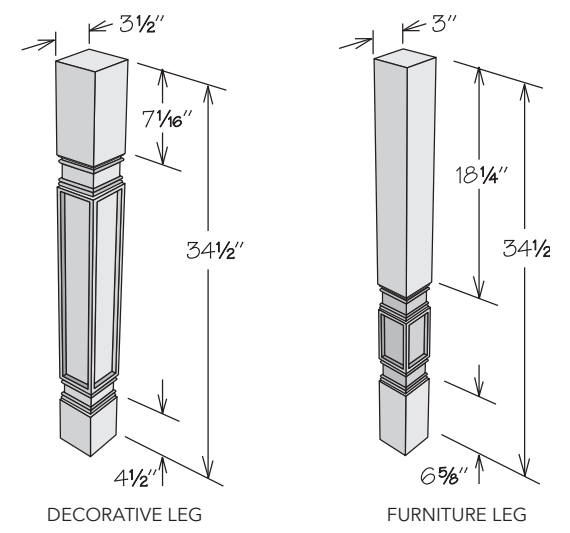
Base Square Leg and Foot



- Wood door styles feature solid wood finished to match cabinet exterior
- Thermofoil door styles are painted solid wood
- Base Square Leg is field trimmable
- Complements the Cove corbels

LEG _____ **FOOT** _____
 BSOL _____ BSQF _____

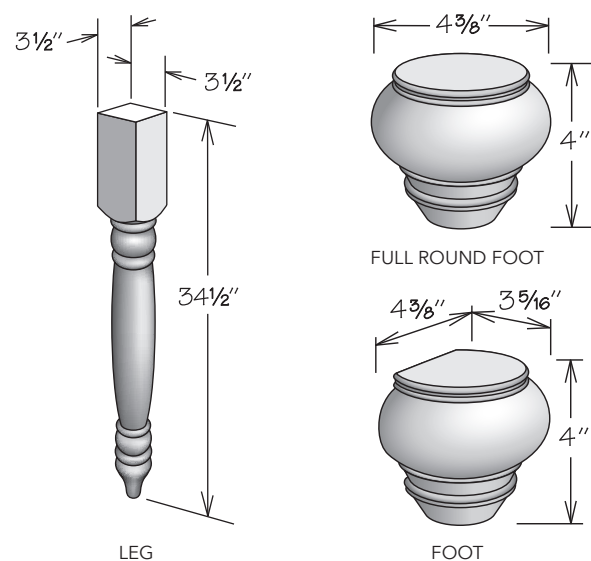
Estelle Legs and Foot



- Wood door styles feature solid wood finished to match cabinet exterior
- Thermofoil door styles are painted solid wood
- Legs are field trimmable
- Complements the Valencia corbels

DECORATIVE LEG _____ **FURNITURE LEG** _____
 EDL _____ EFL _____
FOOT _____
 EDF _____

Base Turned Leg and Feet



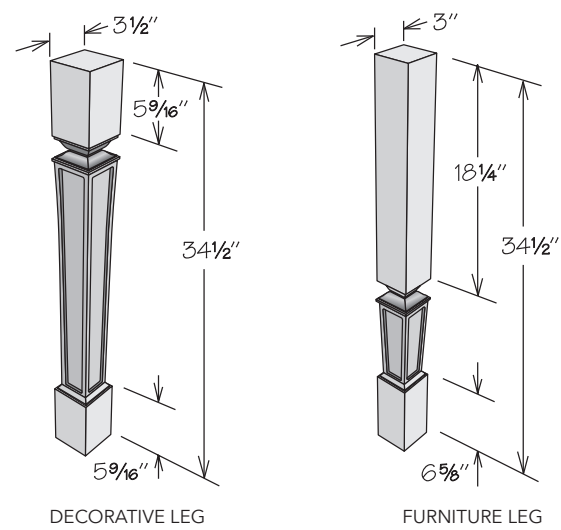
- Wood door styles feature solid wood finished to match cabinet exterior
- Thermofoil door styles are painted solid wood
- Base Turned Leg is field trimmable to 28 1/2" high
- Complements the Rosette corbels

LEG _____ **FULL ROUND FOOT** _____
 BTL _____ ATF-FR _____
FOOT _____
 ATF _____

DECORATIVE ACCENTS

DECORATIVE ACCENTS

Yates Legs and Foot



- Wood door styles feature solid wood finished to match cabinet exterior
- Thermofoil door styles are painted solid wood
- Legs are field trimmable
- Complements the Belhaven corbels

DECORATIVE LEG

YDL

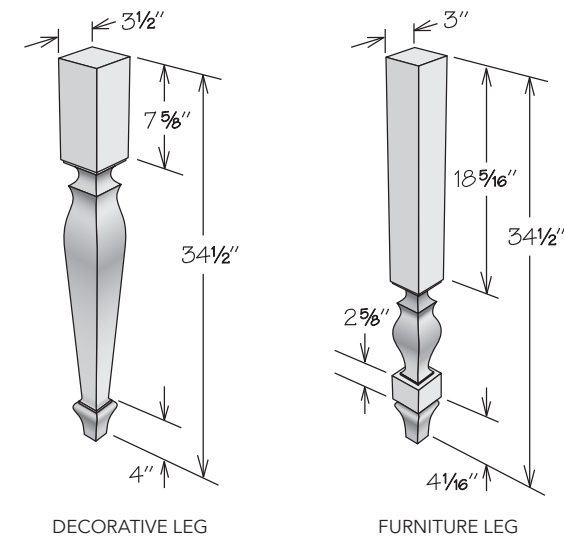
FURNITURE LEG

YFL

FOOT

YDF

Chantilly Legs and Foot



- Wood door styles feature solid wood finished to match cabinet exterior
- Thermofoil door styles are painted solid wood
- Legs are field trimmable
- Complements the Laurel and Rosette corbels

DECORATIVE LEG

CDL

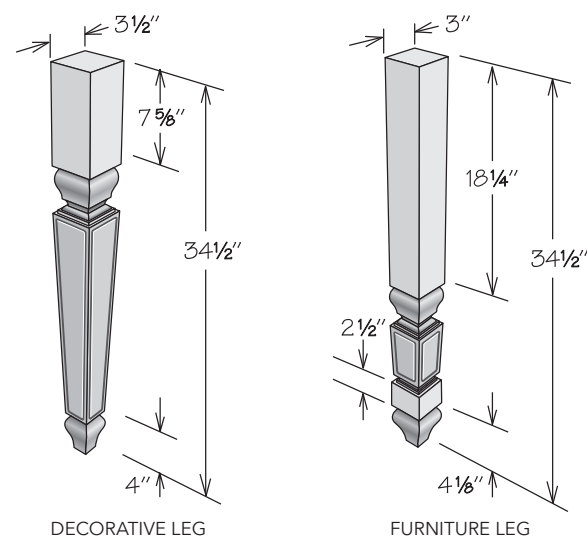
FURNITURE LEG

CFL

FOOT

CDF

Orlean Legs and Foot



- Wood door styles feature solid wood finished to match cabinet exterior
- Thermofoil door styles are painted solid wood
- Legs are field trimmable
- Complements the Finley corbels

DECORATIVE LEG

ODL

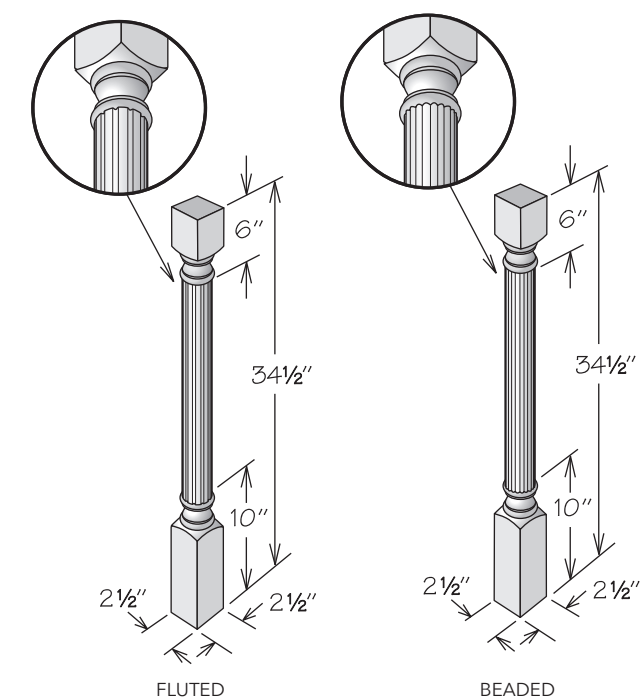
FURNITURE LEG

OFL

FOOT

ODF

Full Turned Post



- Wood door styles feature solid wood finished to match cabinet exterior
- Thermofoil door styles are painted solid wood
- Field trimmable to 28 1/2" high

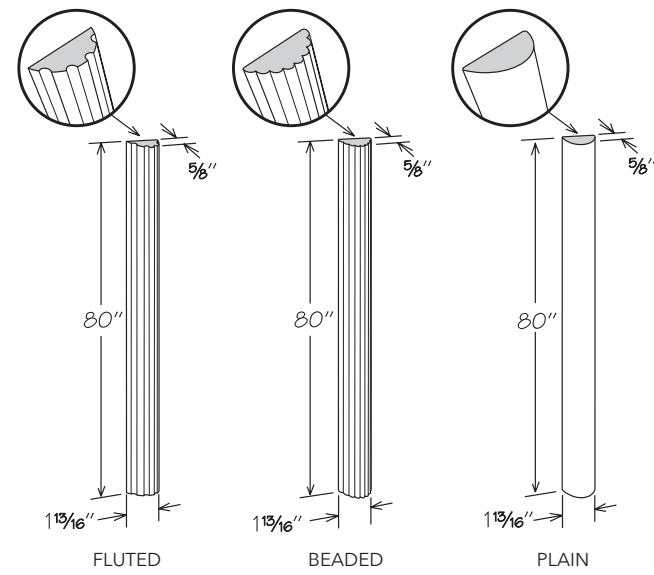
FLUTED

POST234 F

BEADED

POST234 B

Split Post



- Wood door styles feature solid wood finished to match cabinet exterior
- Thermofoil door styles are painted solid wood
- Field trimmable
- Use with Traditional Split Blocks and Collar to create design element
- Must be mounted to a Universal Filler (order separately)

FLUTED

SPLT POST80 F

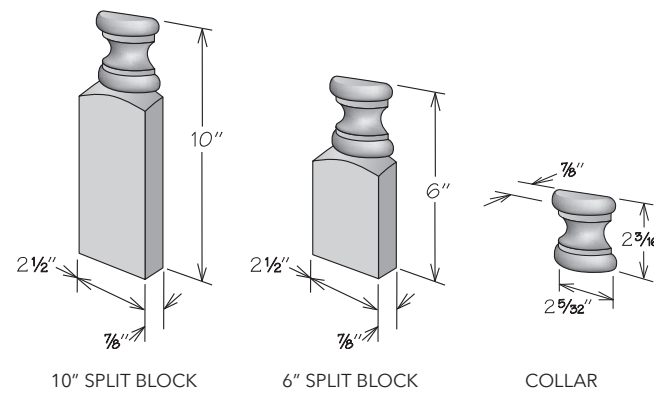
BEADED

SPLT POST80 B

PLAIN

SPLT POST80 P

Traditional Split Collar and Blocks



- Wood door styles feature solid wood finished to match cabinet exterior
- Thermofoil door styles are painted solid wood
- For floor or wall application
- Use with Split Post, 6" or 10" Traditional Split Block, and Traditional Split Collar to create design element
- Must be mounted to a Universal Filler (order separately)

10" SPLIT BLOCK

SPLT BLOCK210 T

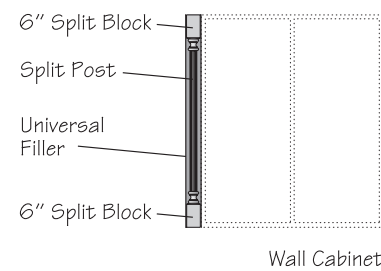
COLLAR

SPLT COLLAR T

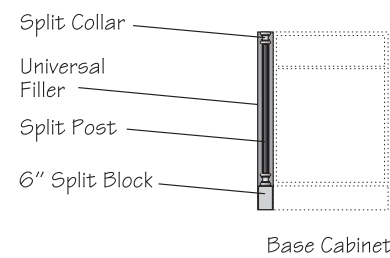
6" SPLIT BLOCK

SPLT BLOCK26 T

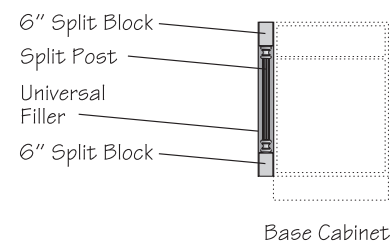
SUGGESTED DESIGN APPLICATIONS



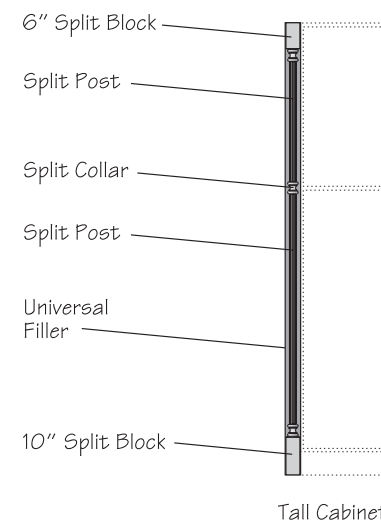
Wall Cabinet



Base Cabinet



Base Cabinet



Tall Cabinet

DECORATIVE HARDWARE



RESTRICTION KEY

NR12 Not recommended on 12" drawers

HARDWARE RESTRICTION EXAMPLE

NR12 Any door style

EXPLANATION: This specific hardware is not recommended on 12" drawers for any door style

Classic



**Classic Pull
Satin Nickel**
PULL 3172SN

3" Center • Overall Length: 5 5/8"



**Classic Pull
Polished Chrome**
PULL 3172PC

3" Center • Overall Length: 5 5/8"



**Classic Pull
Verona Bronze**
PULL 3172VB

3" Center • Overall Length: 5 5/8"



**Classic Pull
Patina**
PULL 3172P

3" Center • Overall Length: 5 5/8"



**Classic Knob
Satin Nickel**
KNOB 3173SN



**Classic Knob
Polished Chrome**
KNOB 3173PC



**Classic Knob
Weathered Nickel**
KNOB 3173WN



**Classic Knob
Verona Bronze**
KNOB 3173VB



**Classic Knob
Patina**
KNOB 3173P

Sculpted **NEW FINISHES**



**Sculpted Pull
Modern Brushed Gold**
PULL 4302MG

96mm Center • Overall Length: 4 5/8"



**Sculpted Pull
Satin Nickel**
PULL 4302SN

96mm Center • Overall Length: 4 5/8"



**Sculpted Pull
Verona Bronze**
PULL 4302VB

96mm Center • Overall Length: 4 5/8"



**Sculpted Pull
Matte Black**
PULL 4302MB

96mm Center • Overall Length: 4 5/8"



**Sculpted Knob
Modern Brushed Gold**
KNOB 4303MG



**Sculpted Knob
Satin Nickel**
KNOB 4303SN



**Sculpted Knob
Verona Bronze**
KNOB 4303VB



**Sculpted Knob
Matte Black**
KNOB 4303MB

Ringed



**Ringed Arch Pull
Verona Bronze**
PULL 3672VB

3" Center • Overall Length: 5 1/2"



**Ringed Arch Pull
Matte Black**
PULL 3672MB

3" Center • Overall Length: 5 1/2"



**Ringed Knob
Verona Bronze**
KNOB 3673VB



**Ringed Knob
Matte Black**
KNOB 3673MB

Twist



**Twist Pull
French Nickel**
PULL 3101FN

5" Center • Overall Length: 5 13/16"



**Twist Pull
Verona Bronze**
PULL 3101VB

5" Center • Overall Length: 5 13/16"



**Twist Knob
French Nickel**
KNOB 3102FN



**Twist Knob
Verona Bronze**
KNOB 3102VB

Beaded



**Beaded Pull
Satin Nickel**
PULL 3562SN

96mm Center • Overall Length: 4 1/2"



**Beaded Pull
Polished Nickel**
PULL 3562PN

96mm Center • Overall Length: 4 1/2"



**Beaded Pull
Weathered Nickel**
PULL 3562WN

96mm Center • Overall Length: 4 1/2"



**Beaded Pull
Verona Bronze**
PULL 3562VB

96mm Center • Overall Length: 4 1/2"

Stamped



**Stamped Knob
Satin Nickel**
KNOB 3563SN



**Stamped Knob
Polished Nickel**
KNOB 3563PN



**Stamped Knob
Weathered Nickel**
KNOB 3563WN



**Stamped Knob
Verona Bronze**
KNOB 3563VB

Square **NEW FINISHES**



**Square Pull
Modern Brushed Gold
PULL 4112MG**

128mm Center • Overall Length: 5 7/8"

**Square Pull
Polished Chrome
PULL 4112PC**

128mm Center • Overall Length: 5 7/8"

**Square Pull
Satin Nickel
PULL 4112SN**

128mm Center • Overall Length: 5 7/8"

**Square Pull
Matte Black
PULL 4112MB**

128mm Center • Overall Length: 5 7/8"



**Square Knob
Modern Brushed Gold
KNOB 4113MG**



**Square Knob
Polished Chrome
KNOB 4113PC**



**Square Knob
Satin Nickel
KNOB 4113SN**



**Square Knob
Matte Black
KNOB 4113MB**

Piped



**Piped Pull
Satin Nickel
PULL 3582SN**

4" Center • Overall Length: 4 3/8"



**Piped Pull
Verona Bronze
PULL 3582VB**

4" Center • Overall Length: 4 3/8"



**Piped Knob
Satin Nickel
KNOB 3583SN**



**Piped Knob
Verona Bronze
KNOB 3583VB**

Contemporary



**Contemporary Pull
Satin Nickel
PULL 4102SN**

128mm Center • Overall Length: 5 5/8"



**Contemporary Pull
Verona Bronze
PULL 4102VB**

128mm Center • Overall Length: 5 5/8"



**Contemporary Knob
Satin Nickel
KNOB 4103SN**



**Contemporary Knob
Verona Bronze
KNOB 4103VB**

Decorative Vine



**Decorative Vine Pull
Vintage Nickel
PULL 3552VN**

3" or 3 1/2" Center • Overall Length: 5 1/4"



**Decorative Vine Knob
Vintage Nickel
KNOB 3553VN**

Rustic



**Rustic Pull
Rubbed Bronze
PULL 3337RB**

5" Center • Overall Length: 6"



**Rustic Knob
Rubbed Bronze
KNOB 3336RB**

Pillow



**Pillow Pull
Satin Nickel
PULL 3512SN**

96mm Center • Overall Length: 5 3/8"



**Pillow Knob
Satin Nickel
KNOB 3513SN**

Cathedral



**Cathedral Pull - 5 1/2"
Polished Nickel
PULL 4202PN**

96mm Center • Overall Length: 5 1/2"



**Cathedral Pull - 4 3/4"
Verona Bronze
PULL 3572VB**

3" Center • Overall Length: 4 3/4"

Pyramid



**Pyramid Pull
Verona Bronze
PULL 4402VB**

160mm Center • Overall Length: 6 7/8"



**Pyramid Knob
Verona Bronze
KNOB 4403VB**

Geometric



**Geometric Pull
Satin Nickel
PULL 3542SN**

96mm Center • Overall Length: 4 7/8"



**Geometric Knob
Satin Nickel
KNOB 3543SN**

Turned



**Turned Pull
Brushed Tin
PULL 3328BT**

5" Center • Overall Length: 5 15/16"



**Turned Knob
Brushed Tin
KNOB 3327BT**

Arched



**Arched Pull
Satin Nickel
PULL 3652SN**

3" Center • Overall Length: 4 7/8"



**Arched Pull
Verona Bronze
PULL 3652VB**

3" Center • Overall Length: 4 7/8"

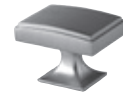
Rectangular NEW | FINISH



**Rectangular Pull
Modern Brushed Gold**
PULL 3502MG
96mm Center • Overall Length: 4 13/16"



**Rectangular Pull
Satin Nickel**
PULL 3502SN
96mm Center • Overall Length: 4 13/16"



**Rectangular Knob
Modern Brushed Gold**
KNOB 3503MG



**Rectangular Knob
Satin Nickel**
KNOB 3503SN



**Rectangular Pull
Polished Nickel**
PULL 3502PN
96mm Center • Overall Length: 4 13/16"



**Rectangular Pull
Verona Bronze**
PULL 3502VB
96mm Center • Overall Length: 4 13/16"



**Rectangular Knob
Polished Nickel**
KNOB 3503PN



**Rectangular Knob
Verona Bronze**
KNOB 3503VB



**Rectangular Pull
Weathered Verona Bronze**
PULL 3502WVB
96mm Center • Overall Length: 4 13/16"



**Rectangular Pull
Matte Black**
PULL 3502MB
96mm Center • Overall Length: 4 13/16"



**Rectangular Knob
Weathered Verona Bronze**
KNOB 3503WVB



**Rectangular Knob
Matte Black**
KNOB 3503MB

Modern



**Modern Pull
Satin Nickel**
PULL 3532SN
96mm Center • Overall Length: 4 7/8"



**Modern Pull
Oiled Bronze**
PULL 3532OB
96mm Center • Overall Length: 4 7/8"

Tailored



**Tailored Knob
Satin Nickel**
KNOB 3533SN



**Tailored Knob
Oiled Bronze**
KNOB 3533OB

Slotted



**Slotted Pull - 7"
Satin Nickel**
PULL 3127SN
5" Center • Overall Length: 7"



**Slotted Pull - 5 1/4"
Satin Nickel**
PULL 3125SN
96mm Center • Overall Length: 5 1/4"



**Slotted Pull - 4 1/2"
Satin Nickel**
PULL 3123SN
3" Center • Overall Length: 4 1/2"



**Slotted Pull - 5 1/4"
Polished Chrome**
PULL 3125PC
96mm Center • Overall Length: 5 1/4"

Elliptical



**Elliptical Knob
Satin Nickel**
KNOB 3124SN



**Elliptical Knob
Polished Chrome**
KNOB 3124PC

Domed



**Domed Knob
Polished Nickel**
KNOB 4203PN



**Domed Knob
Verona Bronze**
KNOB 3573VB

Bow



**Bow Pull - 7 3/4"
Satin Nickel**
PULL 3129SN
5" Center • Overall Length: 7 3/4"



**Bow Pull - 7 3/4"
Modern Bronze**
PULL 3129B
5" Center • Overall Length: 7 3/4"



**Bow Pull - 7 3/4"
Verona Bronze**
PULL 3129VB
5" Center • Overall Length: 7 3/4"



**Bow Pull - 6 1/8"
Satin Nickel**
PULL 3128SN
96mm Center • Overall Length: 6 1/8"

Tab



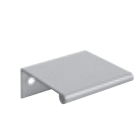
**Tab Pull - 9"
Satin Nickel**
PULL 1065SN
Overall Length: 9"



**Tab Pull - 6"
Satin Nickel**
PULL 1061SN
Overall Length: 6"



**Tab Pull - 3"
Satin Nickel**
PULL 1057SN
Overall Length: 3"



**Tab Pull - 1 3/4"
Satin Nickel**
PULL 1052SN
Overall Length: 1 3/4"

T-Bar NEW FINISHES



T-Bar Pull - 12 3/8"
Modern Brushed Gold
PULL 4730MG
 256mm Center
 Overall Length: 12 3/8"

T-Bar Pull - 12 3/8"
Polished Chrome
 PULL 4730PC
 256mm Center
 Overall Length: 12 3/8"

T-Bar Pull - 12 3/8"
Satin Nickel
 PULL 4730SN
 256mm Center
 Overall Length: 12 3/8"

T-Bar Pull - 12 3/8"
Verona Bronze
 PULL 4730VB
 256mm Center
 Overall Length: 12 3/8"

T-Bar Pull - 12 3/8"
Matte Black
PULL 4730MB
 256mm Center
 Overall Length: 12 3/8"

NR12 Any door style



T-Bar Pull - 9 7/8"
Polished Chrome
 PULL 4722PC
 192mm Center • Overall Length: 9 7/8"

T-Bar Pull - 9 7/8"
Satin Nickel
 PULL 4722SN
 192mm Center • Overall Length: 9 7/8"

T-Bar Pull - 9 7/8"
Verona Bronze
 PULL 4722VB
 192mm Center • Overall Length: 9 7/8"

NR12 Any door style



T-Bar Pull - 8 5/8"
Modern Brushed Gold
PULL 4712MG
 160mm Center
 Overall Length: 8 5/8"

T-Bar Pull - 8 5/8"
Polished Chrome
 PULL 4712PC
 160mm Center
 Overall Length: 8 5/8"

T-Bar Pull - 8 5/8"
Satin Nickel
 PULL 4712SN
 160mm Center
 Overall Length: 8 5/8"

T-Bar Pull - 8 5/8"
Verona Bronze
 PULL 4712VB
 160mm Center
 Overall Length: 8 5/8"

T-Bar Pull - 8 5/8"
Matte Black
PULL 4712MB
 160mm Center
 Overall Length: 8 5/8"

T-Bar NEW FINISHES



T-Bar Pull - 5 1/4"
Modern Brushed Gold
PULL 4701MG
 3" Center
 Overall Length: 5 1/4"

T-Bar Pull - 5 1/4"
Polished Chrome
 PULL 4701PC
 3" Center
 Overall Length: 5 1/4"

T-Bar Pull - 5 1/4"
Satin Nickel
 PULL 4701SN
 3" Center
 Overall Length: 5 1/4"

T-Bar Pull - 5 1/4"
Verona Bronze
 PULL 4701VB
 3" Center
 Overall Length: 5 1/4"

T-Bar Pull - 5 1/4"
Matte Black
PULL 4701MB
 3" Center
 Overall Length: 5 1/4"



T-Bar Knob
Modern Brushed Gold
KNOB 4703MG

T-Bar Knob
Polished Chrome
 KNOB 4703PC

T-Bar Knob
Satin Nickel
 KNOB 4703SN

T-Bar Knob
Verona Bronze
 KNOB 4703VB

T-Bar Knob
Matte Black
KNOB 4703MB

Cup



Cup Pull
Satin Nickel
 PULL 3105SN
 3" Center • Overall Length: 4 5/8"

Cup Pull
Weathered Nickel
 PULL 3105WN
 3" Center • Overall Length: 4 5/8"

Cup Pull
Verona Bronze
 PULL 3105VB
 3" Center • Overall Length: 4 5/8"

Rounded Cup



Rounded Cup Pull
Satin Nickel
 PULL 3107SN
 3" Center • Overall Length: 3 3/8"

Rounded Cup Pull
Weathered Nickel
 PULL 3107WN
 3" Center • Overall Length: 3 3/8"

Rounded Cup Pull
Verona Bronze
 PULL 3107VB
 3" Center • Overall Length: 3 3/8"

Contour



**Flat Contour Pull
Satin Nickel**
PULL 3230SN
96mm Center • Overall Length: 5 1/4"



**Flat Contour Pull
Weathered Nickel**
PULL 3230WN
96mm Center • Overall Length: 5 1/4"



**Flat Contour Pull
Oiled Bronze**
PULL 3230OB
96mm Center • Overall Length: 5 1/4"

Twisted Crescent



**Twisted Crescent Pull
Satin Nickel**
PULL 3122SN
96mm Center • Overall Length: 5 1/6"

Oval



**Oval Knob
Satin Nickel**
KNOB 3653SN



**Oval Knob
Verona Bronze**
KNOB 3653VB

Reeded



Reeded Pull - 6 3/8"
Verona Bronze
PULL 3332VB
5" Center • Overall Length: 6 3/8"



Reeded Pull - 5"
Verona Bronze
PULL 3331VB
3 3/4" Center • Overall Length: 5"



**Reeded Knob
Verona Bronze**
KNOB 3330VB

Button



**Button Knob Wide Base
Satin Nickel**
KNOB 0927SN



**Button Knob
Satin Nickel**
KNOB 3213SN



**Button Knob
Patina**
KNOB 3213P

Barrel



Barrel Pull - 5 5/8"
Verona Bronze
PULL 3079VB
5" Center • Overall Length: 5 5/8"



Barrel Pull - 4 5/16"
Verona Bronze
PULL 3078VB
3 3/4" Center • Overall Length: 4 5/16"

Beveled



**Beveled Knob
Verona Bronze**
KNOB 3103VB

Rope



**Rope Knob
Satin Nickel**
KNOB 3231SN



**Rope Knob
Weathered Nickel**
KNOB 3231WN



**Rope Knob
Oiled Bronze**
KNOB 3231OB

Stainless Steel



Stainless Steel Pull - 6 3/4"
Stainless Steel
PULL 4213SS
160mm Center • Overall Length: 6 3/4"



Stainless Steel Pull - 5 1/2"
Stainless Steel
PULL 4212SS
128mm Center • Overall Length: 5 1/2"

Toggle



**Toggle Knob
Satin Nickel**
KNOB 3239SN

Coat Hooks



**Satin Nickel
HOOK SN**
3 1/8" Deep • 4" High

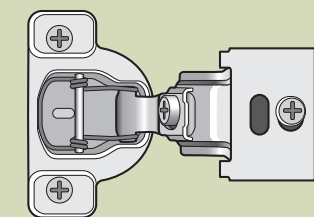
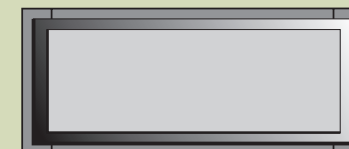
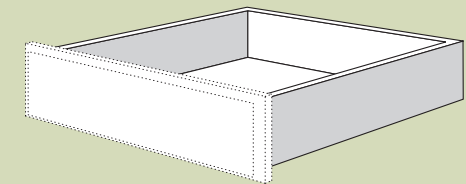
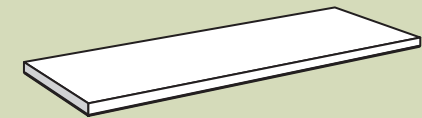
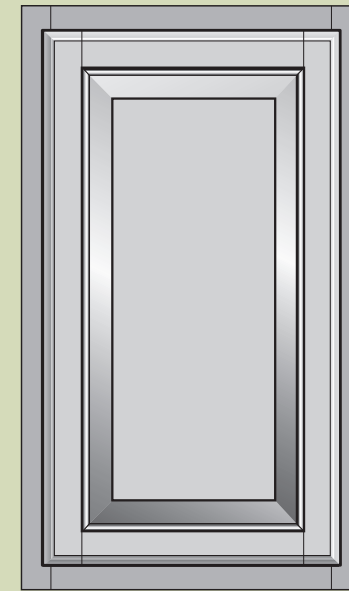


**Polished Chrome
HOOK PC**
3 1/8" Deep • 4" High



**Verona Bronze
HOOK VB**
3 1/8" Deep • 4" High

PARTS DIRECTORY



Also available at www.timberlake.com/parts

Legend

DOOR NOMENCLATURE LEGEND		
Description:		Examples:
DR_	Door - must be ordered as hinged left, right or no drill	SKU: DR1230 Option: Left Hinge
DR_SD	Specialty Door - must be ordered as Open Frame or Mullion Frame and as hinged left, right or no drill	SKU: DR1230 SD Option: OFD - Open Frame Door Option: Left Hinge
DR_V	Standard Height Vanity Door - must be ordered as hinged left, right or no drill	SKU: DR1821V Option: Right Hinge
DRAWER/PANEL FRONT NOMENCLATURE		
Description:		Examples:
DDF__	Drawer Front - used for Base, Desk, Oven or Vanity standard cabinet drawer	DDF12
DDF_D	Large Drawer Front - used for Base, Desk, Oven or Vanity large cabinet drawer	DDF12D
DDFKDC__	Kneehole Drawer Front - used for Kneehole cabinet drawer	DDFKDC27/21
DRAWER BODY NOMENCLATURE		
Description:		Examples:
DRB__	Engineered Wood Drawer Box - for use with side-mounted drawer glides	DRB12 X 18DP SG
DRB_M	Large Engineered Wood Drawer Box - for use with side-mounted drawer glides	DRB12M X 18DP SG
ADJUSTABLE SHELVING NOMENCLATURE		
Description:		Examples:
__" SHELF ADJ	½" Adjustable Shelf - used for Wall, Desk or Base cabinets with standard interior	30" SHELF ADJ
__" SHELF MI	¾" Matching Interior Adjustable Shelf - used for Matching Interior Wall cabinets including Specialty Door cabinets, replace ADJ with MI	30" SHELF MI
S__	¾" Adjustable Shelf - used for Utility, Oven or Vanity Linen cabinets with standard interior	S3024
	¾" Matching Interior Adjustable Shelf - used for Matching Interior Utility or Vanity Linen cabinets, order with Matching Interior Option	SKU: S3024 Option: MI - Matching Interior
__" SHELF 3/4	¾" Adjustable Shelf - used for Universal Design cabinets	30" SHELF 3/4
Adjustable Shelving Notes: Microwave Wall Cabinet replacement shelves feature Matching Interior standard		

Contents

WALL CABINETS

Standard Wall	182
Wall Top Hinge, Peninsula Wall	183
Peninsula Corner Wall, Blind Wall	184
Blind Peninsula Wall, Wall End Angle, Wall with Spice Rack, Corner Wall, Refrigerator Wall	185
Microwave Wall, Compact Microwave Wall, Wall Range Hood, Wall Easy Reach	187

BASE CABINETS

Standard Base, Base with Accessory, Base with Roll-Out Tray Divider, Base with Wastebasket(s)	188
Peninsula Base, Blind Corner, Blind Peninsula Corner, Utility Base	188
Base with Sliding Shelves, Base with Drawer Accessory	189
Furniture Drawer, Pedestal Drawer	191
Three Drawer Base, Three Drawer Base with Drawer Accessory, Four Drawer Base	192
Four Drawer Base with Drawer Accessory, Spice Drawer, Base Microwave, Base Spice Drawer	193
Full-Height Base, Full-Height Base with Accessory, Full-Height Base with Sliding Shelves	194
Full-Height Base with Factory Installed Wastebasket(s), Base End Angle, Full-Height Peninsula Base	194
Corner Sink Base, Corner Sink Front, Deep Sink Base, Sink Base Multi-Storage, Sink/Range Base and Front.	195
Sink Base with Factory Installed Tilt-Out Tray(s).	195
Corner Base	196

TALL CABINETS

Utility with Adjustable Shelves	197
Utility with Sliding Shelves, Utility with Pantry Storage.	198
Double Oven	199
Single Oven	201

VANITY CABINETS

Vanity Drawer Base	205
31 ½" Vanity Sink Base, Vanity Sink Front, Full-Height Vanity Base	206
31 ½" Vanity Base, 31 ½" Vanity Sink Base with Top Drawers, 34 ½" Vanity Base	207
34 ½" Vanity Combo Sink Base, 34 ½" Vanity Sink Base with Top Drawers	208
Vanity Combo Sink Base, Vanity Base with Wastebasket(s), Vanity Linen	209
Medicine Cabinet, Tri-View Mirror, Valet Cabinet	209

DESK CABINETS

Desk Door, Desk with Wastebasket(s), Desk Drawer Base, File Drawer Base, Kneehole Drawer Cabinet	210
--	-----

UNIVERSAL DESIGN

Base, with Sliding Shelves, Corner Base, Sink Base, Base Multi-Use, Drawer Base, Plumbing Skirt.	211
--	-----

DIMENSIONS

Doors, Decorator Doors.	212
Shelves, Base Pot & Pan Organizer, Roll-Out Tray Divider, Drawer Fronts.	213
Drawer Bodies.	214
Glass Inserts.	215

MISCELLANEOUS PARTS & ACCESSORIES	216
--	-----

REPLACEMENT DRAWER REFERENCE SHEET	218
---	-----

SKU	Qty	DOOR			ADJUSTABLE SHELF	
		Part Name	SPECIALTY DOOR	GLASS INSERT	Qty	*Part Name
			Specialty doors require a specialty door selection			
STANDARD WALL • 42" HIGH						
W942	1	DR942	-	-	3	9" SHELF
W1242	1	DR1242	DR1242 SD	DGI-1242	3	12" SHELF
W1542	1	DR1542	DR1542 SD	DGI-1542	3	15" SHELF
W1842	1	DR1842	DR1842 SD	DGI-1842	3	18" SHELF
W2142	1	DR2142	DR2142 SD	DGI-2142	3	21" SHELF
W2442	2	DR1242	DR1242 SD	DGI-1242	3	24" SHELF
W2742	2	DR1342	DR1342 SD	DGI-1342	3	27" SHELF ADJ
W3042	2	DR1542	DR1542 SD	DGI-1542	3	30" SHELF ADJ
W3342	2	DR1642	DR1642 SD	DGI-1642	3	33" SHELF ADJ
W3642	2	DR1842	DR1842 SD	DGI-1842	3	36" SHELF ADJ
W3942	2	DR1942	DR1942 SD	DGI-1942	3	39" SHELF ADJ
W4242	2	DR2142	DR2142 SD	DGI-2142	3	42" SHELF ADJ
STANDARD WALL • 36" HIGH						
W936	1	DR936	-	-	2	9" SHELF
W1236	1	DR1236	DR1236 SD	DGI-1236	2	12" SHELF
W1536	1	DR1536	DR1536 SD	DGI-1536	2	15" SHELF
W1836	1	DR1836	DR1836 SD	DGI-1836	2	18" SHELF
W2136	1	DR2136	DR2136 SD	DGI-2136	2	21" SHELF
W2436	2	DR1236	DR1236 SD	DGI-1236	2	24" SHELF
W2736	2	DR1336	DR1336 SD	DGI-1336	2	27" SHELF ADJ
W3036	2	DR1536	DR1536 SD	DGI-1536	2	30" SHELF ADJ
W3336	2	DR1636	DR1636 SD	DGI-1636	2	33" SHELF ADJ
W3636	2	DR1836	DR1836 SD	DGI-1836	2	36" SHELF ADJ
W3936	2	DR1936	DR1936 SD	DGI-1936	2	39" SHELF ADJ
W4236	2	DR2136	DR2136 SD	DGI-2136	2	42" SHELF ADJ
STANDARD WALL • 30" HIGH						
W930	1	DR930	-	-	2	9" SHELF
W1230	1	DR1230	DR1230 SD	DGI-1230	2	12" SHELF
W1530	1	DR1530	DR1530 SD	DGI-1530	2	15" SHELF
W1830	1	DR1830	DR1830 SD	DGI-1830	2	18" SHELF
W2130	1	DR2130	DR2130 SD	DGI-2130	2	21" SHELF
W2430	1	DR2430	-	-	2	24" SHELF
W2430 1B	2	DR1230	DR1230 SD	DGI-1230	2	24" SHELF
W2730	2	DR1330	DR1330 SD	DGI-1330	2	27" SHELF ADJ
W3030	2	DR1530	DR1530 SD	DGI-1530	2	30" SHELF ADJ
W3330	2	DR1630	DR1630 SD	DGI-1630	2	33" SHELF ADJ
W3630	2	DR1830	DR1830 SD	DGI-1830	2	36" SHELF ADJ
W3930	2	DR1930	DR1930 SD	DGI-1930	2	39" SHELF ADJ
W4230	2	DR2130	DR2130 SD	DGI-2130	2	42" SHELF ADJ
W4530	3	DR1530	DR1530 SD	DGI-1530	2	45" SHELF ADJ
W4830	2	DR2430	-	-	2	48" SHELF ADJ
STANDARD WALL • 27" HIGH						
W3027	2	DR1527	-	-	1	30" SHELF ADJ
STANDARD WALL • 24" HIGH						
W1224	1	DR1224	DR1224 SD	DGI-1224	1	12" SHELF
W1524	1	DR1524	DR1524 SD	DGI-1524	1	15" SHELF
W1824	1	DR1824	DR1824 SD	DGI-1824	1	18" SHELF
W2124	1	DR2124	DR2124 SD	DGI-2124	1	21" SHELF
W2424 1B	2	DR1224	DR1224 SD	DGI-1224	1	24" SHELF
W2724	2	DR1324	DR1324 SD	DGI-1324	1	27" SHELF ADJ
W3024	2	DR1524	DR1524 SD	DGI-1524	1	30" SHELF ADJ
W3324	2	DR1624	DR1624 SD	DGI-1624	1	33" SHELF ADJ
W3624	2	DR1824	DR1824 SD	DGI-1824	1	36" SHELF ADJ
W3924	2	DR1924	DR1924 SD	DGI-1924	1	39" SHELF ADJ
W4224	2	DR2124	DR2124 SD	DGI-2124	1	42" SHELF ADJ
W4524	3	DR1524	DR1524 SD	DGI-1524	1	45" SHELF ADJ

SKU	Qty	DOOR			ADJUSTABLE SHELF	
		Part Name	SPECIALTY DOOR	GLASS INSERT	Qty	*Part Name
			Specialty doors require a specialty door selection			
STANDARD WALL • 21" HIGH						
W3021	2	DR1521	-	-	-	N/A
W3321	2	DR1621	-	-	-	N/A
W3621	2	DR1821	-	-	-	N/A
W3921	2	DR1921	-	-	-	N/A
STANDARD WALL • 18" HIGH						
W1218	1	DR1218	DR1218 SD	DGI-1218	-	N/A
W1518	1	DR1518	DR1518 SD	DGI-1518	-	N/A
W1818	1	DR1818	DR1818 SD	DGI-1818	-	N/A
W2118	1	DR2118	DR2118 SD	DGI-2118	-	N/A
W2418	2	DR1218	DR1218 SD	DGI-1218	-	N/A
W2718	2	DR1318	DR1318 SD	DGI-1318	-	N/A
W3018	2	DR1518	DR1518 SD	DGI-1518	-	N/A
W3318	2	DR1618	DR1618 SD	DGI-1618	-	N/A
W3618	2	DR1818	DR1818 SD	DGI-1818	-	N/A
W3918	2	DR1918	DR1918 SD	DGI-1918	-	N/A
W4218	2	DR2118	DR2118 SD	DGI-2118	-	N/A
STANDARD WALL • 15" HIGH						
W3015	2	DR1515	DR1515 SD	DGI-1515	-	N/A
W3315	2	DR1615	DR1615 SD	DGI-1615	-	N/A
W3615	2	DR1815	DR1815 SD	DGI-1815	-	N/A
W3915	2	DR1915	DR1915 SD	DGI-1915	-	N/A
STANDARD WALL • 12" HIGH						
W3012	2	DR1512	DR1512 SD	DGI-1512	-	N/A
W3312	2	DR1612	-	-	-	N/A
W3612	2	DR1812	DR1812 SD	DGI-1812	-	N/A
W3912	2	DR1912	DR1912 SD	DGI-1912	-	N/A
WALL TOP HINGE • 12" HIGH						
WTH4212	1	DR4212 WTH	DR4212 WTH SD	DGI-1242	-	N/A
WALL TOP HINGE • 15" HIGH						
WTH3015	1	DR3015 WTH	DR3015 WTH SD	DGI-1530	-	N/A
WTH3615	1	DR3615 WTH	DR3615 WTH SD	DGI-1536	-	N/A
WTH3015 X 24DP	1	DR3015 WTH	DR3015 WTH SD	DGI-1530	-	N/A
WTH3615 X 24DP	1	DR3615 WTH	DR3615 WTH SD	DGI-1536	-	N/A
WALL TOP HINGE • 18" HIGH						
WTH3018	1	DR3018 WTH	DR3018 WTH SD	DGI-1830	-	N/A
WTH3618	1	DR3618 WTH	DR3618 WTH SD	DGI-1836	-	N/A
WTH3018 X 24DP	1	DR3018 WTH	DR3018 WTH SD	DGI-1830	-	N/A
WTH3618 X 24DP	1	DR3618 WTH	DR3618 WTH SD	DGI-1836	-	N/A
PENINSULA WALL • 42" HIGH						
PW2442	4	DR1242	DR1242 SD	DGI-1242	3	24" SHELF PW
PW3042	4	DR1542	DR1542 SD	DGI-1542	3	30" SHELF PW
PW3642	4	DR1842	DR1842 SD	DGI-1842	3	36" SHELF PW
PENINSULA WALL • 36" HIGH						
PW2436	4	DR1236	DR1236 SD	DGI-1236	2	24" SHELF PW
PW3036	4	DR1536	DR1536 SD	DGI-1536	2	30" SHELF PW
PW3636	4	DR1836	DR1836 SD	DGI-1836	2	36" SHELF PW
PENINSULA WALL • 30" HIGH						
PW1230	2	DR1230	DR1230 SD	DGI-1230	2	12" SHELF PW
PW1530	2	DR1530	DR1530 SD	DGI-1530	2	15" SHELF PW
PW1830	2	DR1830	DR1830 SD	DGI-1830	2	18" SHELF PW
PW2430	2	DR2430	-	-	2	24" SHELF PW
PW3030	4	DR1530	DR1530 SD	DGI-1530	2	30" SHELF PW
PW3630	4	DR1830	DR1830 SD	DGI-1830	2	36" SHELF PW
PW4230	4	DR2130	DR2130 SD	DGI-2130	2	42" SHELF PW

SKU	Qty	DOOR	SPECIALTY DOOR	GLASS INSERT	ADJUSTABLE SHELF	
		Part Name	Specialty doors require a specialty door selection	Part Name	Qty	*For Matching Interior Adjustable Shelf, refer to Parts Directory legend
			Part Name			*Part Name
PENINSULA WALL • 27" HIGH						
PW3027	4	DR1527	-	-	1	30" SHELF PW
PENINSULA WALL • 24" HIGH						
PW1224	2	DR1224	DR1224 SD	DGI-1224	1	12" SHELF PW
PW1824	2	DR1824	DR1824 SD	DGI-1824	1	18" SHELF PW
PW2424 1B	4	DR1224	DR1224 SD	DGI-1224	1	24" SHELF PW
PW3024	4	DR1524	DR1524 SD	DGI-1524	1	30" SHELF PW
PW3624	4	DR1824	DR1824 SD	DGI-1824	1	36" SHELF PW
PW4224	4	DR2124	DR2124 SD	DGI-2124	1	42" SHELF PW
PENINSULA WALL • 21" HIGH						
PW3021	4	DR1521	-	-	-	N/A
PW3621	4	DR1821	-	-	-	N/A
PENINSULA WALL • 18" HIGH						
PW1818	2	DR1818	DR1818 SD	DGI-1818	-	N/A
PW2418	4	DR1218	DR1218 SD	DGI-1218	-	N/A
PW3018	4	DR1518	DR1518 SD	DGI-1518	-	N/A
PW3618	4	DR1818	DR1818 SD	DGI-1818	-	N/A
PW4218	4	DR2118	DR2118 SD	DGI-2118	-	N/A
PENINSULA CORNER WALL						
PWCW2442	1	DR1542	DR1542 SD	DGI-1542	3	PWCW SHELF ADJ
	2	DR1242	DR1242 SD	DGI-1242		
PWCW2436	1	DR1536	DR1536 SD	DGI-1536	2	PWCW SHELF ADJ
	2	DR1236	DR1236 SD	DGI-1236		
PWCW2430 1B	1	DR1530	DR1530 SD	DGI-1530	2	PWCW SHELF ADJ
	2	DR1230	DR1230 SD	DGI-1230		
BLIND WALL • 42" HIGH						
BLW24/2742	1	DR1242	DR1242 SD	DGI-1242	3	24" SHELF
BLW30/3342	1	DR1842	DR1842 SD	DGI-1842	3	30" SHELF ADJ
BLW33/3642	1	DR2142	DR2142 SD	DGI-2142	3	33" SHELF ADJ
BLW36/3942	2	DR1242	DR1242 SD	DGI-1242	3	36" SHELF ADJ
BLW39/4242	2	DR1342	DR1342 SD	DGI-1342	3	39" SHELF ADJ
BLW42/4542	2	DR1542	DR1542 SD	DGI-1542	3	42" SHELF ADJ
BLIND WALL • 36" HIGH						
BLW24/2736	1	DR1236	DR1236 SD	DGI-1236	2	24" SHELF
BLW30/3336	1	DR1836	DR1836 SD	DGI-1836	2	30" SHELF ADJ
BLW33/3636	1	DR2136	DR2136 SD	DGI-2136	2	33" SHELF ADJ
BLW36/3936	2	DR1236	DR1236 SD	DGI-1236	2	36" SHELF ADJ
BLW39/4236	2	DR1336	DR1336 SD	DGI-1336	2	39" SHELF ADJ
BLW42/4536	2	DR1536	DR1536 SD	DGI-1536	2	42" SHELF ADJ
BLIND WALL • 30" HIGH						
BLW24/2730	1	DR1230	DR1230 SD	DGI-1230	2	24" SHELF
BLW27/3030	1	DR1530	DR1530 SD	DGI-1530	2	27" SHELF ADJ
BLW30/3330	1	DR1830	DR1830 SD	DGI-1830	2	30" SHELF ADJ
BLW33/3630	1	DR2130	DR2130 SD	DGI-2130	2	33" SHELF ADJ
BLW36/3930	1	DR2430	-	-	2	36" SHELF ADJ
BLW39/4230	2	DR1330	DR1330 SD	DGI-1330	2	39" SHELF ADJ
BLW42/4530	2	DR1530	DR1530 SD	DGI-1530	2	42" SHELF ADJ
BLW45/4830	2	DR1630	DR1630 SD	DGI-1630	2	45" SHELF ADJ
BLW48/5130	2	DR1830	DR1830 SD	DGI-1830	2	48" SHELF ADJ
BLIND WALL • 24" HIGH						
BLW24/2724	1	DR1224	DR1224 SD	DGI-1224	1	24" SHELF
BLW27/3024	1	DR1524	DR1524 SD	DGI-1524	1	27" SHELF ADJ
BLW30/3324	1	DR1824	DR1824 SD	DGI-1824	1	30" SHELF ADJ
BLW33/3624	1	DR2124	DR2124 SD	DGI-2124	1	33" SHELF ADJ
BLW36/3924 1B	2	DR1224	DR1224 SD	DGI-1224	1	36" SHELF ADJ

SKU	Qty	DOOR	SPECIALTY DOOR	GLASS INSERT	ADJUSTABLE SHELF	
		Part Name	Specialty doors require a specialty door selection	Part Name	Qty	*For Matching Interior Adjustable Shelf, refer to Parts Directory legend
			Part Name			*Part Name
BLIND PENINSULA WALL						
BLPW2442	3	DR1242	DR1242 SD	DGI-1242	3	24" SHELF PW
BLPW2436	3	DR1236	DR1236 SD	DGI-1236	2	24" SHELF PW
BLPW2430 1B	3	DR1230	DR1230 SD	DGI-1230	2	24" SHELF PW
BLPW2424 1B	3	DR1224	DR1224 SD	DGI-1224	1	24" SHELF PW
WALL END ANGLE						
WEA1242	1	DR1542	DR1542 SD	DGI-1542	3	WEA SHELF
WEA1236	1	DR1536	DR1536 SD	DGI-1536	2	WEA SHELF
WEA1230	1	DR1530	DR1530 SD	DGI-1530	2	WEA SHELF
WITH SPICE RACK • 42" HIGH						
W1542 SR	1	DR1542	-	-	3	15" SHELF
W1842 SR	1	DR1842	-	-	3	18" SHELF
W2142 SR	1	DR2142	-	-	3	21" SHELF
WITH SPICE RACK • 36" HIGH						
W1536 SR	1	DR1536	-	-	2	15" SHELF
W1836 SR	1	DR1836	-	-	2	18" SHELF
W2136 SR	1	DR2136	-	-	2	21" SHELF
WITH SPICE RACK • 30" HIGH						
W1530 SR	1	DR1530	-	-	2	15" SHELF
W1830 SR	1	DR1830	-	-	2	18" SHELF
W2130 SR	1	DR2130	-	-	2	21" SHELF
CORNER WALL • 42" HIGH						
CW2442	1	DR1542	DR1542 SD	DGI-1542	3	CW SHELF ADJ
CW2742	1	DR1542	DR1542 SD	DGI-1542	3	CW27 SHELF ADJ
CWS2442 WD	1	DR1542	DR1542 SD	DGI-1542	3	CWS24 SHELF WD NP
CORNER WALL • 36" HIGH						
CW2436	1	DR1536	DR1536 SD	DGI-1536	2	CW SHELF ADJ
CW2736	1	DR1536	DR1536 SD	DGI-1536	2	CW27 SHELF ADJ
CWS2436 WD	1	DR1536	DR1536 SD	DGI-1536	2	CWS24 SHELF WD NP
CORNER WALL • 30" HIGH						
CW2430	1	DR1530	DR1530 SD	DGI-1530	2	CW SHELF ADJ
CW2730	1	DR1530	DR1530 SD	DGI-1530	2	CW27 SHELF ADJ
CWS2430	1	DR1530	DR1530 SD	DGI-1530	1	CWS UNIT RAS
CWS2430 WD	1	DR1530	DR1530 SD	DGI-1530	2	CWS24 SHELF WD NP
CORNER WALL • 24" HIGH						
CW2424	1	DR1524	DR1524 SD	DGI-1524	-	N/A
CW2724	1	DR1524	DR1524 SD	DGI-1524	-	N/A
CORNER WALL • 18" HIGH						
CW2418	1	DR1518	DR1518 SD	DGI-1518	-	N/A
CW2718	1	DR1518	DR1518 SD	DGI-1518	-	N/A
REFRIGERATOR WALL • 27" HIGH X 24" DEEP						
W3027 X 24 DP	2	DR1527	-	-	1	30" SHELF ADJ
REFRIGERATOR WALL • 24" HIGH X 24" DEEP						
W3024 X 24 DP	2	DR1524	DR1524 SD	DGI-1524	1	30" SHELF ADJ
W3324 X 24 DP	2	DR1624	DR1624 SD	DGI-1624	1	33" SHELF ADJ
W3624 X 24 DP	2	DR1824	DR1824 SD	DGI-1824	1	36" SHELF ADJ
W3924 x 24 DP	2	DR1924	DR1924 SD	DGI-1924	1	39" SHELF ADJ
REFRIGERATOR WALL • 21" HIGH X 24" DEEP						
W3021 X 24 DP	2	DR1521	-	-	-	N/A
W3321 X 24 DP	2	DR1621	-	-	-	N/A
W3621 X 24 DP	2	DR1821	-	-	-	N/A
W3921 X 24 DP	2	DR1921	-	-	-	N/A

SKU	DOOR		SPECIALTY DOOR	GLASS INSERT	ADJUSTABLE SHELF	
	Qty	Part Name	Specialty doors require a specialty door selection	Part Name	Qty	*For Matching Interior Adjustable Shelf, refer to Parts Directory legend
			Part Name			*Part Name
REFRIGERATOR WALL • 18" HIGH X 24" DEEP						
W3018 X 24 DP	2	DR1518	DR1518 SD	DGI-1518	-	N/A
W3318 X 24 DP	2	DR1618	DR1618 SD	DGI-1618	-	N/A
W3618 X 24 DP	2	DR1818	DR1818 SD	DGI-1818	-	N/A
W3918 X 24 DP	2	DR1918	DR1918 SD	DGI-1918	-	N/A
REFRIGERATOR WALL • 15" HIGH X 24" DEEP						
W3015 X 24 DP	2	DR1515	DR1515 SD	DGI-1515	-	N/A
W3315 X 24 DP	2	DR1615	DR1615 SD	DGI-1615	-	N/A
W3615 X 24 DP	2	DR1815	DR1815 SD	DGI-1815	-	N/A
W3915 X 24 DP	2	DR1915	DR1915 SD	DGI-1915	-	N/A
REFRIGERATOR WALL • 12" HIGH X 24" DEEP						
W3012 X 24 DP	2	DR1512	DR1512 SD	DGI-1512	-	N/A
W3312 X 24 DP	2	DR1612	-	-	-	N/A
W3612 X 24 DP	2	DR1812	DR1812 SD	DGI-1812	-	N/A
W3912 X 24 DP	2	DR1912	DR1912 SD	DGI-1912	-	N/A

SKU	DOOR		ADJUSTABLE SHELF	
	Qty	Part Name	Qty	*For Matching Interior Adjustable Shelf, refer to Parts Directory legend
				*Part Name
MICROWAVE WALL • 42" HIGH				
WMC301842	2	DR1521	-	N/A
WMC302142	2	DR1521	-	N/A
MICROWAVE WALL • 42" HIGH				
WMSC271842	2	DR1324	1	WMSC2718 TOP SHELF
MICROWAVE WALL • 36" HIGH				
WMC301836	2	DR1515	-	N/A
WMC302136	2	DR1515	-	N/A
MICROWAVE WALL • 36" HIGH				
WMSC271236	2	DR1315	-	N/A
WMSC271836	2	DR1315	-	N/A
WMSC301236	2	DR1515	-	N/A
COMPACT MICROWAVE WALL				
WCMSC241236	2	DR1218	-	N/A
WCMSC271236	2	DR1318	-	N/A
WALL RANGE HOOD • 30" HIGH				
WRH3030 SV	2	DR1521	-	N/A
WRH3630 SV	2	DR1821	-	N/A
WRH3030 AV	2	DR1521	-	N/A
WRH3630 AV	2	DR1821	-	N/A
WALL RANGE HOOD • 27" HIGH				
WRH3027 SV	2	DR1518	-	N/A
WRH3627 SV	2	DR1818	-	N/A
WRH3027 AV	2	DR1518	-	N/A
WRH3627 AV	2	DR1818	-	N/A
WALL RANGE HOOD • 24" HIGH				
WRH3024 SV	2	DR1515	-	N/A
WRH3624 SV	2	DR1815	-	N/A
WRH3024 AV	2	DR1515	-	N/A
WRH3624 AV	2	DR1815	-	N/A
WALL EASY REACH				
WER2442	1 1	DR1242 WER DRILL DR1242 WER ND	3	WER SHELF
WER2436	1 1	DR1236 WER DRILL DR1236 WER ND	2	WER SHELF
WER2430	1 1	DR1230 WER DRILL DR1230 WER ND	2	WER SHELF

SKU	DOOR		DRAWER FRONT		DRAWER BODY		SHELF	
	Qty	Part Name	Qty	Part Name	Qty	Part Name	Qty	Part Name
BASE WITH ONE SLIDING SHELF AND FACTORY INSTALLED CUTLERY DIVIDER								
B15 SS1 CD	1	DR1524	1	DDF15	1	DRB15 X 21DP DT FD	1	SSK15
B18 SS1 CD	1	DR1824	1	DDF18	1	DRB18 X 21DP DT FD	1	SSK18
B21 SS1 CD	1	DR2124	1	DDF21	1	DRB21 X 21DP DT FD	1	SSK21
B24 SS1 CD	1	DR2424	1	DDF24	1	DRB24 X 21DP DT FD	1	SSK24
B24 SS1 1B CD	2	DR1224	1	DDF24	1	DRB24 X 21DP DT FD	1	SSK24
BASE WITH ONE SLIDING SHELF AND FACTORY INSTALLED SPICE DRAWER INSERT								
B15 SS1 SDI	1	DR1524	1	DDF15	1	DRB15 X 21DP DT FD	1	SSK15
B18 SS1 SDI	1	DR1824	1	DDF18	1	DRB18 X 21DP DT FD	1	SSK18
B21 SS1 SDI	1	DR2124	1	DDF21	1	DRB21 X 21DP DT FD	1	SSK21
B24 SS1 SDI	1	DR2424	1	DDF24	1	DRB24 X 21DP DT FD	1	SSK24
B24 SS1 1B SDI	2	DR1224	1	DDF24	1	DRB24 X 21DP DT FD	1	SSK24
BASE WITH ONE SLIDING SHELF AND FACTORY INSTALLED WOOD TIERED CUTLERY DIVIDER								
B15 SS1 WTC	1	DR1524	1	DDF15	1	WTCDFD15	1	SSK15
B18 SS1 WTC	1	DR1824	1	DDF18	1	WTCDFD18	1	SSK18
B21 SS1 WTC	1	DR2124	1	DDF21	1	WTCDFD21	1	SSK21
B24 SS1 WTC	1	DR2424	1	DDF24	1	WTCDFD24	1	SSK24
B24 SS1 1B WTC	2	DR1224	1	DDF24	1	WTCDFD24	1	SSK24
BASE WITH TWO SLIDING SHELVES AND FACTORY INSTALLED CUTLERY DIVIDER								
B15 SS2 CD	1	DR1524	1	DDF15	1	DRB15 X 21DP DT FD	2	SSK15
B18 SS2 CD	1	DR1824	1	DDF18	1	DRB18 X 21DP DT FD	2	SSK18
B21 SS2 CD	1	DR2124	1	DDF21	1	DRB21 X 21DP DT FD	2	SSK21
B24 SS2 CD	1	DR2424	1	DDF24	1	DRB24 X 21DP DT FD	2	SSK24
B24 SS2 1B CD	2	DR1224	1	DDF24	1	DRB24 X 21DP DT FD	2	SSK24
BASE WITH TWO SLIDING SHELVES AND FACTORY INSTALLED SPICE DRAWER INSERT								
B15 SS2 SDI	1	DR1524	1	DDF15	1	DRB15 X 21DP DT FD	2	SSK15
B18 SS2 SDI	1	DR1824	1	DDF18	1	DRB18 X 21DP DT FD	2	SSK18
B21 SS2 SDI	1	DR2124	1	DDF21	1	DRB21 X 21DP DT FD	2	SSK21
B24 SS2 SDI	1	DR2424	1	DDF24	1	DRB24 X 21DP DT FD	2	SSK24
B24 SS2 1B SDI	2	DR1224	1	DDF24	1	DRB24 X 21DP DT FD	2	SSK24
BASE WITH TWO SLIDING SHELVES AND FACTORY INSTALLED WOOD TIERED CUTLERY DIVIDER								
B15 SS2 WTC	1	DR1524	1	DDF15	1	WTCDFD15	2	SSK15
B18 SS2 WTC	1	DR1824	1	DDF18	1	WTCDFD18	2	SSK18
B21 SS2 WTC	1	DR2124	1	DDF21	1	WTCDFD21	2	SSK21
B24 SS2 WTC	1	DR2424	1	DDF24	1	WTCDFD24	2	SSK24
B24 SS2 1B WTC	2	DR1224	1	DDF24	1	WTCDFD24	2	SSK24

SKU	DRAWER FRONT		DRAWER BODY	
	Qty	Part Name	Qty	Part Name
FURNITURE DRAWERS • 12" DEEP X 6" HIGH				
FD121206	1	DDF12	1	DRB12 X 9DP SG
FD151206	1	DDF15	1	DRB15 X 9DP SG
FD181206	1	DDF18	1	DRB18 X 9DP SG
FD211206	1	DDF21	1	DRB21 X 9DP SG
FD241206	1	DDF24	1	DRB24 X 9DP SG
FD271206	1	DDF27	1	DRB27 X 9DP SG
FD301206	1	DDF30	1	DRB30 X 9DP SG
FD331206	1	DDF33	1	DRB33 X 9DP SG
FD361206	1	DDF36	1	DRB36 X 9DP SG
FURNITURE DRAWERS • 24" DEEP X 6" HIGH				
FD122406	1	DDF12	1	DRB12 X 18DP SG
FD152406	1	DDF15	1	DRB15 X 18DP SG
FD182406	1	DDF18	1	DRB18 X 18DP SG
FD212406	1	DDF21	1	DRB21 X 18DP SG
FD242406	1	DDF24	1	DRB24 X 18DP SG
FD272406	1	DDF27	1	DRB27 X 18DP SG
FD302406	1	DDF30	1	DRB30 X 18DP SG
FD332406	1	DDF33	1	DRB33 X 18DP SG
FD362406	1	DDF36	1	DRB36 X 18DP SG
FURNITURE DRAWERS • 12" DEEP X 12" HIGH				
FD121212	1	DDF12D	1	DRB12M X 9DP SG
FD151212	1	DDF15D	1	DRB15M X 9DP SG
FD181212	1	DDF18D	1	DRB18M X 9DP SG
FD211212	1	DDF21D	1	DRB21M X 9DP SG
FD241212	1	DDF24D	1	DRB24M X 9DP SG
FD271212	1	DDF27D	1	DRB27M X 9DP SG
FD301212	1	DDF30D	1	DRB30M X 9DP SG
FD331212	1	DDF33D	1	DRB33M X 9DP SG
FD361212	1	DDF36D	1	DRB36M X 9DP SG
FURNITURE DRAWERS • 24" DEEP X 12" HIGH				
FD122412	1	DDF12D	1	DRB12M X 18DP SG
FD152412	1	DDF15D	1	DRB15M X 18DP SG
FD182412	1	DDF18D	1	DRB18M X 18DP SG
FD212412	1	DDF21D	1	DRB21M X 18DP SG
FD242412	1	DDF24D	1	DRB24M X 18DP SG
FD272412	1	DDF27D	1	DRB27M X 18DP SG
FD302412	1	DDF30D	1	DRB30M X 18DP SG
FD332412	1	DDF33D	1	DRB33M X 18DP SG
FD362412	1	DDF36D	1	DRB36M X 18DP SG
PEDESTAL DRAWERS				
PD1217 1DWR	1	DDF12D	1	DRB12M X 18DP SG
PD1517 1DWR	1	DDF15D	1	DRB15M X 18DP SG
PD1817 1DWR	1	DDF18D	1	DRB18M X 18DP SG
PD2117 1DWR	1	DDF21D	1	DRB21M X 18DP SG
PD2417 1DWR	1	DDF24D	1	DRB24M X 18DP SG
PD2717 1DWR	1	DDF27D	1	DRB27M X 18DP SG
PD3017 1DWR	1	DDF30D	1	DRB30M X 18DP SG
PD3317 1DWR	1	DDF33D	1	DRB33M X 18DP SG
PD3617 1DWR	1	DDF36D	1	DRB36M X 18DP SG

SKU	DRAWER FRONT		DRAWER BODY/ACCESSORY
	Qty	Part Name	Part Name
THREE DRAWER BASE			
DB12	1 2	DDF12 DDF12D	DRB12 X 18DP SG DRB12M X 18DP SG
DB15	1 2	DDF15 DDF15D	DRB15 X 18DP SG DRB15M X 18DP SG
DB18	1 2	DDF18 DDF18D	DRB18 X 18DP SG DRB18M X 18DP SG
DB21	1 2	DDF21 DDF21D	DRB21 X 18DP SG DRB21M X 18DP SG
DB24	1 2	DDF24 DDF24D	DRB24 X 18DP SG DRB24M X 18DP SG
DB27	1 2	DDF27 DDF27D	DRB27 X 18DP SG DRB27M X 18DP SG
DB30	1 2	DDF30 DDF30D	DRB30 X 18DP SG DRB30M X 18DP SG
DB33	1 2	DDF33 DDF33D	DRB33 X 18DP SG DRB33M X 18DP SG
DB36 1TD	1 2	DDF36 DDF36D	DRB36 X 18DP SG DRB36M X 18DP SG
THREE DRAWER BASE WITH FACTORY INSTALLED WOOD TIERED CUTLERY DIVIDER			
DB15 WTCD	1 2	DDF15 DDF15D	WTCDKHG15 DRB15M X 18DP SG
DB18 WTCD	1 2	DDF18 DDF18D	WTCDKHG18 DRB18M X 18DP SG
DB21 WTCD	1 2	DDF21 DDF21D	WTCDKHG21 DRB21M X 18DP SG
DB24 WTCD	1 2	DDF24 DDF24D	WTCDKHG24 DRB24M X 18DP SG
THREE DRAWER BASE WITH FACTORY INSTALLED CUTLERY DIVIDER			
DB15 CD	1 2	DDF15 DDF15D	DRB15 X 21DP DT FD DRB15M X 18DP SG
DB18 CD	1 2	DDF18 DDF18D	DRB18 X 21DP DT FD DRB18M X 18DP SG
DB21 CD	1 2	DDF21 DDF21D	DRB21 X 21DP DT FD DRB21M X 18DP SG
DB24 CD	1 2	DDF24 DDF24D	DRB24 X 21DP DT FD DRB24M X 18DP SG
THREE DRAWER BASE WITH FACTORY INSTALLED SPICE DRAWER			
DB15 SDI	1 2	DDF15 DDF15D	DRB15 X 21DP DT FD DRB15M X 18DP SG
DB18 SDI	1 2	DDF18 DDF18D	DRB18 X 21DP DT FD DRB18M X 18DP SG
DB21 SDI	1 2	DDF21 DDF21D	DRB21 X 21DP DT FD DRB21M X 18DP SG
DB24 SDI	1 2	DDF24 DDF24D	DRB24 X 21DP DT FD DRB24M X 18DP SG
FOUR DRAWER BASE			
DB12 4DWR	3 1	DDF12 DDF12D	DRB12 X 18DP SG DRB12M X 18DP SG
DB15 4DWR	3 1	DDF15 DDF15D	DRB15 X 18DP SG DRB15M X 18DP SG
DB18 4DWR	3 1	DDF18 DDF18D	DRB18 X 18DP SG DRB18M X 18DP SG
DB21 4DWR	3 1	DDF21 DDF21D	DRB21 X 18DP SG DRB21M X 18DP SG
DB24 4DWR	3 1	DDF24 DDF24D	DRB24 X 18DP SG DRB24M X 18DP SG
DB36	2 2	DDF18 DDF36D	DRB18 X 18DP SG DRB36M X 18DP SG

SKU	DRAWER FRONT		DRAWER BODY/ACCESSORY
	Qty	Part Name	Part Name
FOUR DRAWER BASE WITH FACTORY INSTALLED WOOD TIERED CUTLERY DIVIDER			
DB15 4DWR WTCD	1 2 1	DDF15 DDF15 DDF15D	WTCDKHG15 DRB15 X 18DP SG DRB15M X 18DP SG
DB18 4DWR WTCD	1 2 1	DDF18 DDF18 DDF18D	WTCDKHG18 DRB18 X 18DP SG DRB18M X 18DP SG
DB21 4DWR WTCD	1 2 1	DDF21 DDF21 DDF21D	WTCDKHG21 DRB21 X 18DP SG DRB21M X 18DP SG
DB24 4DWR WTCD	1 2 1	DDF24 DDF24 DDF24D	WTCDKHG24 DRB24 X 18DP SG DRB24M X 18DP SG
FOUR DRAWER BASE WITH FACTORY INSTALLED CUTLERY DIVIDER			
DB15 4DWR CD	3 1	DDF15 DDF15D	DRB15 X 18DP SG DRB15M X 18DP SG
DB18 4DWR CD	3 1	DDF18 DDF18D	DRB18 X 18DP SG DRB18M X 18DP SG
DB21 4DWR CD	3 1	DDF21 DDF21D	DRB21 X 18DP SG DRB21M X 18DP SG
DB24 4DWR CD	3 1	DDF24 DDF24D	DRB24 X 18DP SG DRB24M X 18DP SG
FOUR DRAWER BASE WITH FACTORY INSTALLED SPICE DRAWER INSERT			
DB15 4DWR SDI	3 1	DDF15 DDF15D	DRB15 X 18DP SG DRB15M X 18DP SG
DB18 4DWR SDI	3 1	DDF18 DDF18D	DRB18 X 18DP SG DRB18M X 18DP SG
DB21 4DWR SDI	3 1	DDF21 DDF21D	DRB21 X 18DP SG DRB21M X 18DP SG
DB24 4DWR SDI	3 1	DDF24 DDF24D	DRB24 X 18DP SG DRB24M X 18DP SG
WALL SPICE DRAWER CABINET			
SDC18	3	DDF SDC	DRB6 SDC30
SDC24	4	DDF SDC	DRB6 SDC30
SDC30	5	DDF SDC	DRB6 SDC30
SDC36	6	DDF SDC	DRB6 SDC30
BASE MICROWAVE CABINET			
BMC24	2	DDF24	DRB24 X 18DP SG
BMC27	2	DDF27	DRB27 X 18DP SG
BMC30	2	DDF30	DRB30 X 18DP SG
BASE SPICE DRAWER CABINET			
BSDC6	5	DDF SDC	DRB6 BSDC6

SKU	DOOR		SHELF/ACCESSORY	
	Qty	Part Name	Qty	Part Name
FULL-HEIGHT BASE				
TB9	1	DR930	-	N/A
B12 FH	1	DR1230	1	12" SHELF
B15 FH	1	DR1530	1	15" SHELF
B18 FH	1	DR1830	1	18" SHELF
B21 FH	1	DR2130	1	21" SHELF
B24 1B FH	2	DR1230	1	24" SHELF
B30 1B FH	2	DR1530	1	30" SHELF ADJ
B36 1B FH	2	DR1830	1	36" SHELF ADJ
FULL-HEIGHT BASE WITH ACCESSORY				
TB9 TDS	1	DR930	1	9" SHELF 24DP
BTDP9	1	DR930 ND	1	BTDP9 KIT
BPP9	1	DR930 ND	1	BPP9 KIT
BPP12	1	DR1230 ND	1	BPP12 KIT
BPPUS9	1	DR930 ND	1	BPPUS9 KIT
BPPUS12	1	DR1230 ND	1	BPPUS12 KIT
FULL-HEIGHT BASE WITH TWO SLIDING SHELVES				
B18 FH SS2	1	DR1830	2	SSK18
B24 1B FH SS2	2	DR1230	2	SSK24
B30 1B FH SS2	2	DR1530	2	SSK30
FULL-HEIGHT BASE WITH FOUR SLIDING SHELVES				
B18 FH SS4	1	DR1830	4	SSK18
B24 1B FH SS4	2	DR1230	4	SSK24
B30 1B FH SS4	2	DR1530	4	SSK30
FULL-HEIGHT BASE WITH BOTTOM MOUNT WASTEBASKET(S)				
BWBB15 FH	1	DR1530 ND	1	BWBB15 FH SOL KIT
BWBB18 FH	1	DR1830 ND	1	BWBB18 FH SOL KIT
BWBB21-2 FH	1	DR2130 ND	1	BWBB21-2 FH SOL KIT
BASE END ANGLE				
BEA12 FH	1	DR1530	1	BEA SHELF
BEA24 FH	2	DR1830	1	BEA SHELF
FULL-HEIGHT PENINSULA BASE				
PB12 FH	2	DR1230	1	12" SHELF PB
PB18 FH	2	DR1830	1	18" SHELF PB
PB24 1B FH	4	DR1230	1	24" SHELF PB
PB30 1B FH	4	DR1530	1	30" SHELF PB
PB36 1B FH	4	DR1830	1	36" SHELF PB

SKU	DOOR		DRAWER FRONT	
	Qty	Part Name	Qty	Part Name
CORNER SINK BASE				
CSB36	1	DR1524	1	DDF15
CORNER SINK FRONT				
CSF36	1	DR1524	1	DDF15
CSF42	1	DR2424	1	DDF24
DEEP SINK BASE				
DSB30 1B	2	DR1521	-	N/A
DSB33 1B	2	DR1621	-	N/A
DSB36 1B	2	DR1821	-	N/A
DSB39	2	DR1921	-	N/A
SINK BASE MULTI-STORAGE				
SBMS30 1B STO	2	DR1524	1	DDF30 DRILL
SBMS36 1B STO	2	DR1824	1	DDF36 DRILL
SINK/RANGE BASE AND FRONT				
SF12	1	DR1224	1	DDF12
SF15	1	DR1524	1	DDF15
SB18 / SF18	1	DR1824	1	DDF18
SB21 / SF21	1	DR2124	1	DDF21
SB24 / SF24	1	DR2424	1	DDF24
SB24 1B / SF24 1B	2	DR1224	1	DDF24
SB27 / SF27	2	DR1324	1	DDF27
SB30 / SF30	2	DR1524	1	DDF30
SB30 1B	2	DR1524	1	DDF30
SB33 / SB33 1B / SF33	2	DR1624	1	DDF33
SB36 / SF36	2	DR1824	1	DDF36
SB36 1B	2	DR1824	1	DDF36
SB39 / SF39	2	DR1924	2	DDF19
SB42 / SF42	2	DR2124	2	DDF21
SB45 / SF45	3	DR1524	3	DDF15
SB48 / SF48	2	DR2424	2	DDF24
SINK BASE WITH FACTORY INSTALLED TILT-OUT TRAY(S)				
SB18 STO (TO)	1	DR1824	1	DDF18 DRILL
SB21 STO (TO)	1	DR2124	1	DDF21 DRILL
SB24 STO (TO)	1	DR2424	1	DDF24 DRILL
SB24 1B STO (TO)	2	DR1224	1	DDF24 DRILL
SB27 STO (TO)	2	DR1324	1	DDF27 DRILL
SB30 STO (TO)	2	DR1524	1	DDF30 DRILL
SB30 1B STO (TO)	2	DR1524	1	DDF30 DRILL
SB33 STO (TO)	2	DR1624	1	DDF33 DRILL
SB33 1B STO (TO)	2	DR1624	1	DDF33 DRILL
SB36 STO (TO)	2	DR1824	1	DDF36 DRILL
SB36 1B STO (TO)	2	DR1824	1	DDF36 DRILL
SB39 STO (TO)	2	DR1924	2	DDF19 DRILL
SB42 STO (TO)	2	DR2124	2	DDF21 DRILL
SB48 STO (TO)	2	DR2424	2	DDF24 DRILL

SKU	DOOR		SPIN UNIT	
	Qty	Part Name	Qty	Part Name
CORNER BASE				
BER33 (L/R)	1 1	DR930 BER DRILL DR930 BER ND	-	N/A
BER3336L	1 1	DR930 BER DRILL DR1230 BER ND	-	N/A
BER3336R	1 1	DR930 BER ND DR1230 BER DRILL	-	N/A
BER36 (L/R)	1 1	DR1230 BER DRILL DR1230 BER ND	-	N/A
BER3633L	1 1	DR1230 BER DRILL DR930 BER ND	-	N/A
BER3633R	1 1	DR1230 BER ND DR930 BER DRILL	-	N/A
BSS33 (L/R)	1 1	DR930 BER DRILL DR930 BER ND	1	BSS33 UNIT RAS
BSS33 (L/R) WD	1 1	DR930 BER DRILL DR930 BER ND	2	BSS33 SHELF WD NP
BSS3336L	1 1	DR930 BER DRILL DR1230 BER ND	1	BSS33 UNIT RAS
BSS3336L WD	1 1	DR930 BER DRILL DR1230 BER ND	2	BSS3336 SHELF WD NP
BSS3336R	1 1	DR930 BER ND DR1230 BER DRILL	1	BSS33 UNIT RAS
BSS3336R WD	1 1	DR930 BER ND DR1230 BER DRILL	2	BSS3336 SHELF WD NP
BSS36 (L/R)	1 1	DR1230 BER DRILL DR1230 BER ND	1	BSS36 UNIT RAS
BSS36 (L/R) WD	1 1	DR1230 BER DRILL DR1230 BER ND	2	BSS36 SHELF WD NP
BSS3633L	1 1	DR1230 BER DRILL DR930 BER ND	1	BSS33 UNIT RAS
BSS3633L WD	1 1	DR1230 BER DRILL DR930 BER ND	2	BSS3633 SHELF WD NP
BSS3633R	1 1	DR1230 BER ND DR930 BER DRILL	1	BSS33 UNIT RAS
BSS3633R WD	1 1	DR1230 BER ND DR930 BER DRILL	2	BSS3633 SHELF WD NP
CAR36 (L/R)	1 1	DR1230 BER DRILL DR1230 BER ND	1	CAR36 UNIT RAS
CAR36 (L/R) WD	1 1 1	DR1230 BER DRILL DR1230 BER ND	2 1 1	CAR36 SHELF WD BSSCWSCAR T-SHAFT FE WOOD SPIN SHELF HDW
CBS36	1	DRCBS36	1	CBS36 UNIT RAS
CBS36 WD	1	DRCBS36	2	CBS SHELF WD NP

SKU	Qty	DOOR	SPECIALTY DOOR	GLASS INSERT	SHELF	
		Part Name	Part Name	Part Name	Qty	*Part Name
UTILITY WITH ADJUSTABLE SHELVES • 12" DEEP X 84" HIGH						
UT1212 X 84 AS	1 1	DR1230 DR1250	DR1230 SD	DGI-1230	5	S1212
UT1512 X 84 AS	1 1	DR1530 DR1550	DR1530 SD	DGI-1530	5	S1512
UT1812 X 84 AS	1 1	DR1830 DR1850	DR1830 SD	DGI-1830	5	S1812
UT2412 X 84 AS	2 2	DR1230 DR1250	DR1230 SD	DGI-1230	5	S2412
UTILITY WITH ADJUSTABLE SHELVES • 12" DEEP X 90" HIGH						
UT1512 X 90 AS	1 1	DR1536 DR1550	DR1536 SD	DGI-1536	6	S1512
UT1812 X 90 AS	1 1	DR1836 DR1850	DR1836 SD	DGI-1836	6	S1812
UT2412 X 90 AS	2 2	DR1236 DR1250	DR1236 SD	DGI-1236	6	S2412
UTILITY WITH ADJUSTABLE SHELVES • 12" DEEP X 96" HIGH						
UT1512 X 96 AS	1 1	DR1542 DR1550	DR1542 SD	DGI-1542	7	S1512
UT1812 X 96 AS	1 1	DR1842 DR1850	DR1842 SD	DGI-1842	7	S1812
UT2412 X 96 AS	2 2	DR1242 DR1250	DR1242 SD	DGI-1242	7	S2412
UTILITY WITH ADJUSTABLE SHELVES • 24" DEEP X 84" HIGH						
UT1224 X 84 AS	1 1	DR1230 DR1250	DR1230 SD	DGI-1230	5	S1224
UT1524 X 84 AS	1 1	DR1530 DR1550	DR1530 SD	DGI-1530	5	S1524
UT1824 X 84 AS	1 1	DR1830 DR1850	DR1830 SD	DGI-1830	5	S1824
UT2424 X 84 AS	2 2	DR1230 DR1250	DR1230 SD	DGI-1230	5	S2424
UT3024 X 84 AS	2 2	DR1530 DR1550	DR1530 SD	DGI-1530	5	S3024
UT3624 X 84 AS	2 2	DR1830 DR1850	DR1830 SD	DGI-1830	5	S3624
UTILITY WITH ADJUSTABLE SHELVES • 24" DEEP X 90" HIGH						
UT1524 X 90 AS	1 1	DR1536 DR1550	DR1536 SD	DGI-1536	6	S1524
UT1824 X 90 AS	1 1	DR1836 DR1850	DR1836 SD	DGI-1836	6	S1824
UT2424 X 90 AS	2 2	DR1236 DR1250	DR1236 SD	DGI-1236	6	S2424
UT3024 X 90 AS	2 2	DR1536 DR1550	DR1536 SD	DGI-1536	6	S3024
UT3624 X 90 AS	2 2	DR1836 DR1850	DR1836 SD	DGI-1836	6	S3624
UTILITY WITH ADJUSTABLE SHELVES • 24" DEEP X 96" HIGH						
UT1524 X 96 AS	1 1	DR1542 DR1550	DR1542 SD	DGI-1542	7	S1524
UT1824 X 96 AS	1 1	DR1842 DR1850	DR1842 SD	DGI-1842	7	S1824
UT2424 X 96 AS	2 2	DR1242 DR1250	DR1242 SD	DGI-1242	7	S2424
UT3024 X 96 AS	2 2	DR1542 DR1550	DR1542 SD	DGI-1542	7	S3024
UT3624 X 96 AS	2 2	DR1842 DR1850	DR1842 SD	DGI-1842	7	S3624

SKU	Qty	DOOR	SPECIALTY DOOR	GLASS INSERT	SHELF/ACCESSORY	
		Part Name	Specialty doors require a specialty door selection Part Name	Part Name	Qty	*Part Name *For Matching Interior Adjustable Shelf, refer to Parts Directory legend
UTILITY WITH SLIDING SHELVES • 84" HIGH						
UT1224 X 84 4SSK	1 1	DR1230 DR1250	DR1230 SD	DGI-1230	1 4	S1224 SSK12
UT1524 X 84 4SSK	1 1	DR1530 DR1550	DR1530 SD	DGI-1530	1 4	S1524 SSK15
UT1824 X 84 4SSK	1 1	DR1830 DR1850	DR1830 SD	DGI-1830	1 4	S1824 SSK18
UT2424 X 84 4SSK	2 2	DR1230 DR1250	DR1230 SD	DGI-1230	1 4	S2424 SSK24
UT3024 X 84 4SSK	2 2	DR1530 DR1550	DR1530 SD	DGI-1530	1 4	S3024 SSK30
UT3624 X 84 4SSK	2 2	DR1830 DR1850	DR1830 SD	DGI-1830	1 4	S3624 SSK36
UTILITY WITH SLIDING SHELVES • 90" HIGH						
UT1524 X 90 4SSK	1 1	DR1536 DR1550	DR1536 SD	DGI-1536	2 4	S1524 SSK15
UT1824 X 90 4SSK	1 1	DR1836 DR1850	DR1836 SD	DGI-1836	2 4	S1824 SSK18
UT2424 X 90 4SSK	2 2	DR1236 DR1250	DR1236 SD	DGI-1236	2 4	S2424 SSK24
UT3024 X 90 4SSK	2 2	DR1536 DR1550	DR1536 SD	DGI-1536	2 4	S3024 SSK30
UT3624 X 90 4SSK	2 2	DR1836 DR1850	DR1836 SD	DGI-1836	2 4	S3624 SSK36
UTILITY WITH SLIDING SHELVES • 96" HIGH						
UT1524 X 96 4SSK	1 1	DR1542 DR1550	DR1542 SD	DGI-1542	3 4	S1524 SSK15
UT1824 X 96 4SSK	1 1	DR1842 DR1850	DR1842 SD	DGI-1842	3 4	S1824 SSK18
UT2424 X 96 4SSK	2 2	DR1242 DR1250	DR1242 SD	DGI-1242	3 4	S2424 SSK24
UT3024 X 96 4SSK	2 2	DR1542 DR1550	DR1542 SD	DGI-1542	3 4	S3024 SSK30
UT3624 X 96 4SSK	2 2	DR1842 DR1850	DR1842 SD	DGI-1842	3 4	S3624 SSK36
UTILITY WITH PANTRY STORAGE • 24" DEEP X 84" HIGH						
UT3624 X 84 PCDS	2 2	DR1830 DR1850	DR1830 SD	DGI-1830	1 1 2 1	S3624 PCKS36 PDSK18 PSK36
UTILITY WITH PANTRY STORAGE • 24" DEEP X 90" HIGH						
UT3624 X 90 PCDS	2 2	DR1836 DR1850	DR1836 SD	DGI-1836	2 1 2 1	S3624 PCKS36 PDSK18 PSK36
UTILITY WITH PANTRY STORAGE • 24" DEEP X 96" HIGH						
UT3624 X 96 PCDS	2 2	DR1842 DR1850	DR1842 SD	DGI-1842	3 1 2 1	S3624 PCKS36 PDSK18 PSK36

SKU	Qty	DOOR	Qty	DRAWER		ADJUSTABLE SHELF	
		Part Name		Part Name	Part Name	Part Name	Qty
DOUBLE OVEN CABINETS WITH 2 DOORS, 1 DRAWER • 84" HIGH							
OVD2784	2	DR1318	1	DDF27	DRB24 X 18DP SG	-	N/A
OVD3084	2	DR1518	1	DDF30	DRB27 X 18DP SG	-	N/A
OVD3384	2	DR1618	1	DDF33	DRB30 X 18DP SG	-	N/A
DOUBLE OVEN CABINETS WITH 2 DOORS, 1 DRAWER • 90" HIGH							
OVD2790 AS	2	DR1324	1	DDF27	DRB24 X 18DP SG	1	S2724
OVD3090 AS	2	DR1524	1	DDF30	DRB27 X 18DP SG	1	S3024
OVD3390 AS	2	DR1624	1	DDF33	DRB30 X 18DP SG	1	S3324
DOUBLE OVEN CABINETS WITH 2 DOORS, 1 DRAWER • 96" HIGH							
OVD2796 AS	2	DR1330	1	DDF27	DRB24 X 18DP SG	2	S2724
OVD3096 AS	2	DR1530	1	DDF30	DRB27 X 18DP SG	2	S3024
OVD3396 AS	2	DR1630	1	DDF33	DRB30 X 18DP SG	2	S3324
DOUBLE OVEN CABINETS WITH 2 DOORS AND 1 LARGE DRAWER • 84" HIGH							
OVD2784 1DDWR	2	DR1318	1	DDF27D	DRB24M X 18DP SG	-	N/A
OVD3084 1DDWR	2	DR1518	1	DDF30D	DRB27M X 18DP SG	-	N/A
OVD3384 1DDWR	2	DR1618	1	DDF33D	DRB30M X 18DP SG	-	N/A
DOUBLE OVEN CABINETS WITH 2 DOORS AND 1 LARGE DRAWER • 90" HIGH							
OVD2790 AS 1DDWR	2	DR1324	1	DDF27D	DRB24M X 18DP SG	1	S2724
OVD3090 AS 1DDWR	2	DR1524	1	DDF30D	DRB27M X 18DP SG	1	S3024
OVD3390 AS 1DDWR	2	DR1624	1	DDF33D	DRB30M X 18DP SG	1	S3324
DOUBLE OVEN CABINETS WITH 2 DOORS AND 1 LARGE DRAWER • 96" HIGH							
OVD2796 AS 1DDWR	2	DR1330	1	DDF27D	DRB24M X 18DP SG	2	S2724
OVD3096 AS 1DDWR	2	DR1530	1	DDF30D	DRB27M X 18DP SG	2	S3024
OVD3396 AS 1DDWR	2	DR1630	1	DDF33D	DRB30M X 18DP SG	2	S3324
DOUBLE OVEN CABINETS WITH 2 DOORS AND 2 DRAWERS • 84" HIGH							
OVD2784 2DWR	2	DR1318	2	DDF27	DRB24 X 18DP SG	-	N/A
OVD3084 2DWR	2	DR1518	2	DDF30	DRB27 X 18DP SG	-	N/A
OVD3384 2DWR	2	DR1618	2	DDF33	DRB30 X 18DP SG	-	N/A
DOUBLE OVEN CABINETS WITH 2 DOORS AND 2 DRAWERS • 90" HIGH							
OVD2790 AS 2DWR	2	DR1324	2	DDF27	DRB24 X 18DP SG	1	S2724
OVD3090 AS 2DWR	2	DR1524	2	DDF30	DRB27 X 18DP SG	1	S3024
OVD3390 AS 2DWR	2	DR1624	2	DDF33	DRB30 X 18DP SG	1	S3324
DOUBLE OVEN CABINETS WITH 2 DOORS AND 2 DRAWERS • 96" HIGH							
OVD2796 AS 2DWR	2	DR1330	2	DDF27	DRB24 X 18DP SG	2	S2724
OVD3096 AS 2DWR	2	DR1530	2	DDF30	DRB27 X 18DP SG	2	S3024
OVD3396 AS 2DWR	2	DR1630	2	DDF33	DRB30 X 18DP SG	2	S3324

SKU	DOOR		ADJUSTABLE SHELF	
	Qty	Part Name	Qty	*For Matching Interior Adjustable Shelf, refer to Parts Directory legend
				*Part Name
DOUBLE OVEN CABINETS WITH 2 DOORS AND NO DRAWER • 84" HIGH				
OVD2784 NDWR	2	DR1318	-	N/A
OVD3084 NDWR	2	DR1518	-	N/A
OVD3384 NDWR	2	DR1618	-	N/A
DOUBLE OVEN CABINETS WITH 2 DOORS AND NO DRAWER • 90" HIGH				
OVD2790 AS NDWR	2	DR1324	1	S2724
OVD3090 AS NDWR	2	DR1524	1	S3024
OVD3390 AS NDWR	2	DR1624	1	S3324
DOUBLE OVEN CABINETS WITH 2 DOORS AND NO DRAWER • 96" HIGH				
OVD2796 AS NDWR	2	DR1330	2	S2724
OVD3096 AS NDWR	2	DR1530	2	S3024
OVD3396 AS NDWR	2	DR1630	2	S3324

SKU	DOOR		SHELF/ACCESSORY	
	Qty	Part Name	Qty	*For Matching Interior Adjustable Shelf, refer to Parts Directory legend
				*Part Name
SINGLE OVEN CABINETS WITH 4 DOORS • 84" HIGH				
OVS2784	2 2	DR1318 DR1324	-	N/A
OVS3084	2 2	DR1518 DR1524	-	N/A
OVS3384	2 2	DR1618 DR1624	-	N/A
SINGLE OVEN CABINETS WITH 4 DOORS • 90" HIGH				
OVS2790 AS	4	DR1324	1	S2724
OVS3090 AS	4	DR1524	1	S3024
OVS3390 AS	4	DR1624	1	S3324
SINGLE OVEN CABINETS WITH 4 DOORS • 96" HIGH				
OVS2796 AS	2 2	DR1330 DR1324	2	S2724
OVS3096 AS	2 2	DR1530 DR1524	2	S3024
OVS3396 AS	2 2	DR1630 DR1624	2	S3324
SINGLE OVEN CABINETS WITH POT & PAN ORGANIZER • 84" HIGH				
OVS2784 FABPPO	2 2	DR1318 DR1324	- 1	N/A BPPOKFA24
OVS3084 FABPPO	2 2	DR1518 DR1524	- 1	N/A BPPOKFA27
OVS3384 FABPPO	2 2	DR1618 DR1624	- 1	N/A BPPOKFA30
SINGLE OVEN CABINETS WITH POT & PAN ORGANIZER • 90" HIGH				
OVS2790 FABPPO	4	DR1324	1 1	S2724 BPPOKFA24
OVS3090 FABPPO	4	DR1524	1 1	S3024 BPPOKFA27
OVS3390 FABPPO	4	DR1624	1 1	S3324 BPPOKFA30
SINGLE OVEN CABINETS WITH POT & PAN ORGANIZER • 96" HIGH				
OVS2796 FABPPO	2 2	DR1330 DR1324	2 1	S2724 BPPOKFA24
OVS3096 FABPPO	2 2	DR1530 DR1524	2 1	S3024 BPPOKFA27
OVS3396 FABPPO	2 2	DR1630 DR1624	2 1	S3324 BPPOKFA30

SKU	DOOR		DRAWER		ADJUSTABLE SHELF		
	Qty	Part Name	Qty	DRAWER FRONT	DRAWER BODY	Qty	Part Name
				Part Name	Part Name		
SINGLE OVEN CABINETS WITH 2 DOORS AND 2 DRAWERS • 84" HIGH							
OVS2784 2DDWR	2	DR1318	2	DDF27D	DRB24M X 18DP SG	-	N/A
OVS3084 2DDWR	2	DR1518	2	DDF30D	DRB27M X 18DP SG	-	N/A
OVS3384 2DDWR	2	DR1618	2	DDF33D	DRB30M X 18DP SG	-	N/A
SINGLE OVEN CABINETS WITH 2 DOORS AND 2 DRAWERS • 90" HIGH							
OVS2790 AS 2DDWR	2	DR1324	2	DDF27D	DRB24M X 18DP SG	1	S2724
OVS3090 AS 2DDWR	2	DR1524	2	DDF30D	DRB27M X 18DP SG	1	S3024
OVS3390 AS 2DDWR	2	DR1624	2	DDF33D	DRB30M X 18DP SG	1	S3324
SINGLE OVEN CABINETS WITH 2 DOORS AND 2 DRAWERS • 96" HIGH							
OVS2796 AS 2DDWR	2	DR1330	2	DDF27D	DRB24M X 18DP SG	2	S2724
OVS3096 AS 2DDWR	2	DR1530	2	DDF30D	DRB27M X 18DP SG	2	S3024
OVS3396 AS 2DDWR	2	DR1630	2	DDF33D	DRB30M X 18DP SG	2	S3324
SINGLE OVEN CABINETS WITH 2 DOORS AND 3 DRAWERS • 84" HIGH							
OVS2784 3DWR	2	DR1318	1 2	DDF27 DDF27D	DRB24 X 18DP SG DRB24M X 18DP SG	-	N/A
OVS3084 3DWR	2	DR1518	1 2	DDF30 DDF30D	DRB27 X 18DP SG DRB27M X 18DP SG	-	N/A
OVS3384 3DWR	2	DR1618	1 2	DDF33 DDF33D	DRB30 X 18DP SG DRB30M X 18DP SG	-	N/A
SINGLE OVEN CABINETS WITH 2 DOORS AND 3 DRAWERS • 90" HIGH							
OVS2790 AS 3DWR	2	DR1324	1 2	DDF27 DDF27D	DRB24 X 18DP SG DRB24M X 18DP SG	1	S2724
OVS3090 AS 3DWR	2	DR1524	1 2	DDF30 DDF30D	DRB27 X 18DP SG DRB27M X 18DP SG	1	S3024
OVS3390 AS 3DWR	2	DR1624	1 2	DDF33 DDF33D	DRB30 X 18DP SG DRB30M X 18DP SG	1	S3324
SINGLE OVEN CABINETS WITH 2 DOORS AND 3 DRAWERS • 96" HIGH							
OVS2796 AS 3DWR	2	DR1330	1 2	DDF27 DDF27D	DRB24 X 18DP SG DRB24M X 18DP SG	2	S2724
OVS3096 AS 3DWR	2	DR1530	1 2	DDF30 DDF30D	DRB27 X 18DP SG DRB27M X 18DP SG	2	S3024
OVS3396 AS 3DWR	2	DR1630	1 2	DDF33 DDF33D	DRB30 X 18DP SG DRB30M X 18DP SG	2	S3324
SINGLE OVEN CABINETS WITH 2 DOORS 4 DRAWERS • 84" HIGH							
OVS2784 4DWR	2	DR1318	2 2	DDF27 DDF27D	DRB24 X 18DP SG DRB24M X 18DP SG	-	N/A
OVS3084 4DWR	2	DR1518	2 2	DDF30 DDF30D	DRB27 X 18DP SG DRB27M X 18DP SG	-	N/A
OVS3384 4DWR	2	DR1618	2 2	DDF33 DDF33D	DRB30 X 18DP SG DRB30M X 18DP SG	-	N/A
SINGLE OVEN CABINETS WITH 2 DOORS 4 DRAWERS • 90" HIGH							
OVS2790 AS 4DWR	2	DR1324	2 2	DDF27 DDF27D	DRB24 X 18DP SG DRB24M X 18DP SG	1	S2724
OVS3090 AS 4DWR	2	DR1524	2 2	DDF30 DDF30D	DRB27 X 18DP SG DRB27M X 18DP SG	1	S3024
OVS3390 AS 4DWR	2	DR1624	2 2	DDF33 DDF33D	DRB30 X 18DP SG DRB30M X 18DP SG	1	S3324
SINGLE OVEN CABINETS WITH 2 DOORS 4 DRAWERS • 96" HIGH							
OVS2796 AS 4DWR	2	DR1330	2 2	DDF27 DDF27D	DRB24 X 18DP SG DRB24M X 18DP SG	2	S2724
OVS3096 AS 4DWR	2	DR1530	2 2	DDF30 DDF30D	DRB27 X 18DP SG DRB27M X 18DP SG	2	S3024
OVS3396 AS 4DWR	2	DR1630	2 2	DDF33 DDF33D	DRB30 X 18DP SG DRB30M X 18DP SG	2	S3324

PARTS: TALL

SKU	DOOR		DRAWER		SHELF/ACCESSORY		
	Qty	Part Name	Qty	DRAWER FRONT	DRAWER BODY	Qty	Part Name
				Part Name	Part Name		
SINGLE OVEN CABINETS WITH 4 DOORS AND 1 DRAWER • 84" HIGH							
OVS2784 1DWR	2 2	DR1318 DR1324	1	DDF27	DRB24 X 18DP SG	-	N/A
OVS3084 1DWR	2 2	DR1518 DR1524	1	DDF30	DRB27 X 18DP SG	-	N/A
OVS3384 1DWR	2 2	DR1618 DR1624	1	DDF33	DRB30 X 18DP SG	-	N/A
SINGLE OVEN CABINETS WITH 4 DOORS AND 1 DRAWER • 90" HIGH							
OVS2790 AS 1DWR	4	DR1324	1	DDF27	DRB24 X 18DP SG	1	S2724
OVS3090 AS 1DWR	4	DR1524	1	DDF30	DRB27 X 18DP SG	1	S3024
OVS3390 AS 1DWR	4	DR1624	1	DDF33	DRB30 X 18DP SG	1	S3324
SINGLE OVEN CABINETS WITH 4 DOORS AND 1 DRAWER • 96" HIGH							
OVS2796 AS 1DWR	2 2	DR1330 DR1324	1	DDF27	DRB24 X 18DP SG	2	S2724
OVS3096 AS 1DWR	2 2	DR1530 DR1524	1	DDF30	DRB27 X 18DP SG	2	S3024
OVS3396 AS 1DWR	2 2	DR1630 DR1624	1	DDF33	DRB30 X 18DP SG	2	S3324
SINGLE OVEN CABINETS WITH 4 DOORS, 1 DRAWER AND 1 POT & PAN ORGANIZER • 84" HIGH							
OVS2784 1DWR FABPPO	2 2	DR1318 DR1324	1	DDF27	DRB24 X 18DP SG	- 1	N/A BPPOKFA24
OVS3084 1DWR FABPPO	2 2	DR1518 DR1524	1	DDF30	DRB27 X 18DP SG	- 1	N/A BPPOKFA27
OVS3384 1DWR FABPPO	2 2	DR1618 DR1624	1	DDF33	DRB30 X 18DP SG	- 1	N/A BPPOKFA30
SINGLE OVEN CABINETS WITH 4 DOORS, 1 DRAWER AND 1 POT & PAN ORGANIZER • 90" HIGH							
OVS2790 1DWR FABPPO	4	DR1324	1	DDF27	DRB24 X 18DP SG	1 1	S2724 BPPOKFA24
OVS3090 1DWR FABPPO	4	DR1524	1	DDF30	DRB27 X 18DP SG	1 1	S3024 BPPOKFA27
OVS3390 1DWR FABPPO	4	DR1624	1	DDF33	DRB30 X 18DP SG	1 1	S3324 BPPOKFA30
SINGLE OVEN CABINETS WITH 4 DOORS, 1 DRAWER AND 1 POT & PAN ORGANIZER • 96" HIGH							
OVS2796 1DWR FABPPO	2 2	DR1330 DR1324	1	DDF27	DRB24 X 18DP SG	2 1	S2724 BPPOKFA24
OVS3096 1DWR FABPPO	2 2	DR1530 DR1524	1	DDF30	DRB27 X 18DP SG	2 1	S3024 BPPOKFA27
OVS3396 1DWR FABPPO	2 2	DR1630 DR1624	1	DDF33	DRB30 X 18DP SG	2 1	S3324 BPPOKFA30
SINGLE OVEN CABINETS WITH 4 DOORS AND 2 DRAWERS • 84" HIGH							
OVS2784 2DWR	2 2	DR1318 DR1324	2	DDF27	DRB24 X 18DP SG	-	N/A
OVS3084 2DWR	2 2	DR1518 DR1524	2	DDF30	DRB27 X 18DP SG	-	N/A
OVS3384 2DWR	2 2	DR1618 DR1624	2	DDF33	DRB30 X 18DP SG	-	N/A
SINGLE OVEN CABINETS WITH 4 DOORS AND 2 DRAWERS • 90" HIGH							
OVS2790 AS 2DWR	4	DR1324	2	DDF27	DRB24 X 18DP SG	1	S2724
OVS3090 AS 2DWR	4	DR1524	2	DDF30	DRB27 X 18DP SG	1	S3024
OVS3390 AS 2DWR	4	DR1624	2	DDF33	DRB30 X 18DP SG	1	S3324
SINGLE OVEN CABINETS WITH 4 DOORS AND 2 DRAWERS • 96" HIGH							
OVS2796 AS 2DWR	2 2	DR1330 DR1324	2	DDF27	DRB24 X 18DP SG	2	S2724
OVS3096 AS 2DWR	2 2	DR1530 DR1524	2	DDF30	DRB27 X 18DP SG	2	S3024
OVS3396 AS 2DWR	2 2	DR1630 DR1624	2	DDF33	DRB30 X 18DP SG	2	S3324

PARTS: TALL

SKU	DOOR		DRAWER		SHELF/ACCESSORY		
	Qty	Part Name	Qty	DRAWER FRONT	DRAWER BODY	Qty	Part Name
				Part Name	Part Name		
SINGLE OVEN CABINETS WITH 4 DOORS, 2 DRAWERS AND 1 POT & PAN ORGANIZER • 84" HIGH							
OVS2784 2DWR FABPPO	2 2	DR1318 DR1324	2	DDF27	DRB24 X 18DP SG	- 1	N/A BPPOKFA24
OVS3084 2DWR FABPPO	2 2	DR1518 DR1524	2	DDF30	DRB27 X 18DP SG	- 1	N/A BPPOKFA27
OVS3384 2DWR FABPPO	2 2	DR1618 DR1624	2	DDF33	DRB30 X 18DP SG	- 1	N/A BPPOKFA30
SINGLE OVEN CABINETS WITH 4 DOORS, 2 DRAWERS AND 1 POT & PAN ORGANIZER • 90" HIGH							
OVS2790 2DWR FABPPO	4	DR1324	2	DDF27	DRB24 X 18DP SG	1 1	S2724 BPPOKFA24
OVS3090 2DWR FABPPO	4	DR1524	2	DDF30	DRB27 X 18DP SG	1 1	S3024 BPPOKFA27
OVS3390 2DWR FABPPO	4	DR1624	2	DDF33	DRB30 X 18DP SG	1 1	S3324 BPPOKFA30
SINGLE OVEN CABINETS WITH 4 DOORS, 2 DRAWERS AND 1 POT & PAN ORGANIZER • 96" HIGH							
OVS2796 2DWR FABPPO	2 2	DR1330 DR1324	2	DDF27	DRB24 X 18DP SG	2 1	S2724 BPPOKFA24
OVS3096 2DWR FABPPO	2 2	DR1530 DR1524	2	DDF30	DRB27 X 18DP SG	2 1	S3024 BPPOKFA27
OVS3396 2DWR FABPPO	2 2	DR1630 DR1624	2	DDF33	DRB30 X 18DP SG	2 1	S3324 BPPOKFA30

SKU	DRAWER		
	Qty	DRAWER FRONT	DRAWER BODY
		Part Name	Part Name
VANITY DRAWER BASE • 31 1/8" HIGH			
VDB12	2 1	DDF12 DDF12D	DRB12 X 18DP SG DRB12M X 18DP SG
VDB15	2 1	DDF15 DDF15D	DRB15 X 18DP SG DRB15M X 18DP SG
VDB18	2 1	DDF18 DDF18D	DRB18 X 18DP SG DRB18M X 18DP SG
VDB21	2 1	DDF21 DDF21D	DRB21 X 18DP SG DRB241 X 18DP SG
VDB24	2 1	DDF24 DDF24D	DRB24 X 18DP SG DRB24M X 18DP SG
VANITY DRAWER BASE • 34 1/2" HIGH			
VDB1234H	1 2	DDF12 DDF12D	DRB12 X 18DP SG DRB12M X 18DP SG
VDB1534H	1 2	DDF15 DDF15D	DRB15 X 18DP SG DRB15M X 18DP SG
VDB1834H	1 2	DDF18 DDF18D	DRB18 X 18DP SG DRB18M X 18DP SG
VDB2134H	1 2	DDF21 DDF21D	DRB21 X 18DP SG DRB241 X 18DP SG
VDB2434H	1 2	DDF24 DDF24D	DRB24 X 18DP SG DRB24M X 18DP SG

SKU	DOOR		DRAWER FRONT	
	Qty	Part Name	Qty	Part Name
VANITY SINK BASE • 31 1/8" HIGH				
VSB15	1	DR1521V	1	DDF15
VSB18	1	DR1821V	1	DDF18
VSB21	1	DR2121V	1	DDF21
VSB24	2	DR1221V	1	DDF24
VSB27	2	DR1321V	1	DDF27
VSB30	2	DR1521V	1	DDF30
VSB33	2	DR1621V	1	DDF33
VSB36	2	DR1821V	1	DDF36
VSB39	2	DR1921V	1	DDF39
VSB42	2	DR2121V	2	DDF21
VSB48	2 1	DR1521V DR1821V	2 1	DDF15 DDF18
VSB54	4	DR1321V	2	DDF27
VSB60	4	DR1521V	2	DDF30
VANITY SINK BASE • 18" DEEP X 31 1/8" HIGH				
VSB2418	2	DR1221V	1	DDF24
VSB3018	2	DR1521V	1	DDF30
VSB3618	2	DR1821V	1	DDF36
VANITY SINK BASE • 34 1/2" HIGH				
VSB1534H	1	DR1524	1	DDF15
VSB1834H	1	DR1824	1	DDF18
VSB2134H	1	DR2124	1	DDF21
VSB2434H	2	DR1224	1	DDF24
VSB2734H	2	DR1324	1	DDF27
VSB3034H	2	DR1524	1	DDF30
VSB3334H	2	DR1624	1	DDF33
VSB3634H	2	DR1824	1	DDF36
VSB3934H	2	DR1924	1	DDF39
VSB4234H	2	DR2124	2	DDF21
VSB4834H	2 1	DR1524 DR1824	2 1	DDF15 DDF18
VSB5434H	4	DR1324	2	DDF27
VSB6034H	4	DR1524	2	DDF30
VANITY SINK BASE • 18" DEEP X 34 1/2" HIGH				
VSB243418H	2	DR1224	1	DDF24
VSB303418H	2	DR1524	1	DDF30
VSB363418H	2	DR1824	1	DDF36
VANITY SINK FRONT				
VSF21	1	DR2121V	1	DDF21
VSF24	2	DR1221V	1	DDF24
VSF30	2	DR1521V	1	DDF30
VSF36	2	DR1821V	1	DDF36
VSF39	2	DR1921V	2	DDF19
VSF42	2	DR2121V	2	DDF21
VSF48	2 1	DR1521V DR1821V	2 1	DDF15 DDF18
VANITY FULL-HEIGHT BASE • 34 1/2" HIGH				
VB1234H FH	1	DR1230	-	N/A
VB1534H FH	1	DR1530	-	N/A
VB1834H FH	1	DR1830	-	N/A
VB2434H 1B FH	2	DR1230	-	N/A
VB3034H 1B FH	2	DR1530	-	N/A
VB3634H 1B FH	2	DR1830	-	N/A

SKU	DOOR		DRAWER BODY		DRAWER FRONT	
	Qty	Part Name	Qty	Part Name	Qty	Part Name
VANITY BASE • 31 1/8" HIGH						
VB12	1	DR1221V	1	DRB12 X 18DP SG	1	DDF12
VB15	1	DR1521V	1	DRB15 X 18DP SG	1	DDF15
VB18	1	DR1821V	1	DRB18 X 18DP SG	1	DDF18
VB21	1	DR2121V	1	DRB21 X 18DP SG	1	DDF21
VB24	2	DR1221V	1	DRB24 X 18DP SG	1	DDF24
VB27	2	DR1321V	1	DRB27 X 18DP SG	1	DDF27
VB30	2	DR1521V	1	DRB30 X 18DP SG	1	DDF30
VB33	2	DR1621V	1	DRB33 X 18DP SG	1	DDF33
VB36	2	DR1821V	1	DRB36 X 18DP SG	1	DDF36
VANITY SINK BASE WITH TOP DRAWERS • 31 1/8" HIGH						
VAN36	2	DR1821V	2	DRB10 X 18DP SG	3	DDF12
VAN39	2	DR1921V	2	DRB12 X 18DP SG	2 1	DDF12 DDF15
VAN42	2	DR2121V	2	DRB12 X 18DP SG	2 1	DDF12 DDF18
VAN48	2 1	DR1521V DR1821V	2	DRB15 X 18DP SG	2 1	DDF15 DDF18
VAN54 BK	2 2	DR1221V DR1521V	2	DRB12 X 18DP SG	2 1	DDF12 DDF30
VAN60 BK	4	DR1521V	2	DRB15 X 18DP SG	2 1	DDF15 DDF30
VANITY COMBO SINK BASE • 31 1/8" HIGH						
VSDB24 BK	1	DR1221V	1 1	DRB12 X 18DP SG DRB12M X 18DP SG	3 1	DDF12 DDF12D
VSDB27 BK	1	DR1521V	1 1	DRB12 X 18DP SG DRB12M X 18DP SG	1 2 1	DDF15 DDF12 DDF12D
VSDB30 BK	1	DR1821V	1 1	DRB12 X 18DP SG DRB12M X 18DP SG	1 2 1	DDF18 DDF12 DDF12D
VSDB33 BK	1	DR2121V	1 1	DRB12 X 18DP SG DRB12M X 18DP SG	1 2 1	DDF21 DDF12 DDF12D
VSDB36 BK	1	DR2121V	1 1	DRB15 X 18DP SG DRB15M X 18DP SG	1 2 1	DDF21 DDF15 DDF15D
VSDB42 BK	2	DR1521V	2 1	DRB12 X 18DP SG DRB12M X 18DP SG	1 2 1	DDF30 DDF12 DDF12D
VSDB48D BK	2	DR1221V	4 2	DRB12 X 18DP SG DRB12M X 18DP SG	1 4 2	DDF24 DDF12 DDF12D
VSDB54D BK	2	DR1221V	4 2	DRB15 X 18DP SG DRB15M X 18DP SG	1 4 2	DDF24 DDF15 DDF15D
VSDB60D BK	2	DR1521V	4 2	DRB15 X 18DP SG DRB15M X 18DP SG	1 4 2	DDF30 DDF15 DDF15D
VSDB60C BK	4	DR1221V	2 1	DRB12 X 18DP SG DRB12M X 18DP SG	2 2 1	DDF24 DDF12 DDF12D
VANITY BASE • 34 1/2" HIGH						
VB1234H	1	DR1224	1	DRB12 X 18DP SG	1	DDF12
VB1534H	1	DR1524	1	DRB15 X 18DP SG	1	DDF15
VB1834H	1	DR1824	1	DRB18 X 18DP SG	1	DDF18
VB2134H	1	DR2124	1	DRB21 X 18DP SG	1	DDF21
VB2434H	2	DR1224	1	DRB24 X 18DP SG	1	DDF24
VB2734H	2	DR1324	1	DRB27 X 18DP SG	1	DDF27
VB3034H	2	DR1524	1	DRB30 X 18DP SG	1	DDF30
VB3334H	2	DR1624	1	DRB33 X 18DP SG	1	DDF33
VB3634H	2	DR1824	1	DRB36 X 18DP SG	1	DDF36

SKU	DOOR		DRAWER BODY		DRAWER FRONT	
	Qty	Part Name	Qty	Part Name	Qty	Part Name
VANITY SINK BASE WITH TOP DRAWERS • 34 1/2" HIGH						
VAN3634H	2	DR1824	2	DRB10 X 18DP SG	3	DDF12
VAN3934H	2	DR1924	2	DRB12 X 18DP SG	2 1	DDF12 DDF15
VAN4234H	2	DR2124	2	DRB12 X 18DP SG	2 1	DDF12 DDF18
VAN4834H	2 1	DR1524 DR1824	2	DRB15 X 18DP SG	2 1	DDF15 DDF18
VAN5434H BK	2 2	DR1224 DR1524	2	DRB12 X 18DP SG	2 1	DDF12 DDF30
VAN6034H BK	4	DR1524	2	DRB15 X 18DP SG	2 1	DDF15 DDF30
VANITY COMBO SINK BASE • 34 1/2" HIGH						
VSDB2434H BK	1	DR1224	2	DRB12M X 18DP SG	2 2	DDF12 DDF12D
VSDB2734H BK	1	DR1524	2	DRB12M X 18DP SG	1 1 2	DDF15 DDF12 DDF12D
VSDB3034H BK	1	DR1824	2	DRB12M X 18DP SG	1 1 2	DDF18 DDF12 DDF12D
VSDB3334H BK	1	DR2124	2	DRB12M X 18DP SG	1 1 2	DDF21 DDF12 DDF12D
VSDB3634H BK	1	DR2124	2	DRB15M X 18DP SG	1 1 2	DDF21 DDF15 DDF15D
VSDB3934H BK	1	DR2124	2	DRB18M X 18DP SG	1 1 2	DDF21 DDF18 DDF18D
VSDB4234H BK	2	DR1524	1 2	DRB12 X 18DP SG DRB12M X 18DP SG	1 1 2	DDF30 DDF12 DDF12D
VSDB4834HD BK	2	DR1224	2 4	DRB12 X 18DP SG DRB12M X 18DP SG	1 2 4	DDF24 DDF12 DDF12D
VSDB5434HD BK	2	DR1224	2 4	DRB15 X 18DP SG DRB15M X 18DP SG	1 2 4	DDF24 DDF15 DDF15D
VSDB6034HD BK	2	DR1524	2 4	DRB15 X 18DP SG DRB15M X 18DP SG	1 2 4	DDF30 DDF15 DDF15D
VSDB6034HC BK	4	DR1224	1 2	DRB12 X 18DP SG DRB12M X 18DP SG	2 1 2	DDF24 DDF12 DDF12D
VANITY COMBO SINK BASE • 18" DEEP X 31 1/8" HIGH						
VSDB2418 BK	1	DR1221V	1 1	DRB12 X 15DP SG DRB12M X 15DP SG	3 1	DDF12 DDF12D
VSDB2718 BK	1	DR1521V	1 1	DRB12 X 15DP SG DRB12M X 15DP SG	1 2 1	DDF15 DDF12 DDF12D
VSDB3018 BK	1	DR1821V	1 1	DRB12 X 15DP SG DRB12M X 15DP SG	1 2 1	DDF18 DDF12 DDF12D
VSDB3318 BK	1	DR2121V	1 1	DRB12 X 15DP SG DRB12M X 15DP SG	1 2 1	DDF21 DDF12 DDF12D
VSDB3618 BK	1	DR2121V	1 1	DRB15 X 15DP SG DRB15M X 15DP SG	1 2 1	DDF21 DDF15 DDF15D

SKU	DOOR		DRAWER BODY		DRAWER FRONT	
	Qty	Part Name	Qty	Part Name	Qty	Part Name
VANITY COMBO SINK BASE • 18" DEEP X 34 1/2" HIGH						
VSDB241834H BK	1	DR1224	2	DRB12M X 15DP SG	2 2	DDF12 DDF12D
VSDB271834H BK	1	DR1524	2	DRB12M X 15DP SG	1 1 2	DDF15 DDF12 DDF12D
VSDB301834H BK	1	DR1824	2	DRB12M X 15DP SG	1 1 2	DDF18 DDF12 DDF12D
VSDB331834H BK	1	DR2124	2	DRB12M X 15DP SG	1 1 2	DDF21 DDF12 DDF12D
VSDB361834H BK	1	DR2124	2	DRB15M X 15DP SG	1 1 2	DDF21 DDF15 DDF15D
VANITY BASE WITH BOTTOM MOUNT WASTEBASKET • 34 1/2" HIGH						
VWBB1834H	1	DR1824 ND	1 1	DRB18 X 18DP SG VWBB1834H SOL KIT	1	DDF18

SKU	DOOR/SPECIALTY DOOR			GLASS INSERT	SHELF/ACCESSORY	
	Qty	Part Name	Specialty doors require a specialty door selection Part Name	Part Name	Qty	*For Matching Interior Adjustable Shelf, refer to Parts Directory legend *Part Name
VANITY LINEN WITH ADJUSTABLE SHELVES						
VLC122184 AS	1 1	DR1230 DR1250	DR1230 SD	DGI-1230	5	S1221
VLC152184 AS	1 1	DR1530 DR1550	DR1530 SD	DGI-1530	5	S1521
VLC182184 AS	1 1	DR1830 DR1850	DR1830 SD	DGI-1830	5	S1821
VLC242184 AS	2 2	DR1230 DR1250	DR1230 SD	DGI-1230	5	S2421
VANITY LINEN • WITH SLIDING SHELVES						
VLC122184 4SSK	1 1	DR1230 DR1250	DR1230 SD	DGI-1230	1 4	S1221 SSK1221
VLC152184 4SSK	1 1	DR1530 DR1550	DR1530 SD	DGI-1530	1 4	S1521 SSK1521
VLC182184 4SSK	1 1	DR1830 DR1850	DR1830 SD	DGI-1830	1 4	S1821 SSK1821
VLC242184 4SSK	2 2	DR1230 DR1250	DR1230 SD	DGI-1230	1 4	S2421 SSK2421
MEDICINE CABINET						
MC1530	1	DR1530	-	-	-	-
MCM1530	1	DRMCM1530	-	-	-	-
TRI-VIEW MIRROR						
TV3030	3	MIRROR TV3030	-	-	3 6	TV30 SHELF 9 TV30 SHELF 18
TV3630	3	MIRROR TV3630	-	-	3 6	TV36 SHELF 11 TV36 SHELF 22
VALET CABINET						
VC2436	2	DR1224	-	-	-	-

SKU	DOOR		SHELF		DRAWER FRONT		DRAWER BODY	
	Qty	Part Name	Qty	Part Name	Qty	Part Name	Qty	Part Name
DESK WITH BOTTOM MOUNT WASTEBASKET(S)								
DWBB1821	1	DR1824 ND	1	DWBB1821 SOL KIT	-	N/A	-	N/A
DWBB1824	1	DR1824 ND	1	DWBB1824 SOL KIT	-	N/A	-	N/A
DESK DOOR • 21" DEEP								
DDO1221	1	DR1218	1	VLC1221 SHELF ADJ	1	DDF12	1	DRB12 X 18DP SG
DDO1521	1	DR1518	1	VLC1521 SHELF ADJ	1	DDF15	1	DRB15 X 18DP SG
DDO1821	1	DR1818	1	VLC1821 SHELF ADJ	1	DDF18	1	DRB18 X 18DP SG
DDO2121	1	DR2118	1	21" SHELF 21DP	1	DDF21	1	DRB21 X 18DP SG
DDO2421	2	DR1218	1	24" SHELF 21DP	1	DDF24	1	DRB24 X 18DP SG
DESK DOOR • 24" DEEP								
DDO1224	1	DR1218	1	12" SHELF 24DP	1	DDF12	1	DRB12 X 18DP SG
DDO1524	1	DR1518	1	15" SHELF 24DP	1	DDF15	1	DRB15 X 18DP SG
DDO1824	1	DR1818	1	18" SHELF 24DP	1	DDF18	1	DRB18 X 18DP SG
DDO2124	1	DR2118	1	21" SHELF 24DP	1	DDF21	1	DRB21 X 18DP SG
DDO2424	2	DR1218	1	24" SHELF 24DP	1	DDF24	1	DRB24 X 18DP SG
DESK DRAWER BASE • 21" DEEP								
DDR1221	-	N/A	-	N/A	2	DDF12 DDF12D	2	DRB12 X 18DP SG DRB12M X 18DP SG
DDR1521	-	N/A	-	N/A	2	DDF15 DDF15D	2	DRB15 X 18DP SG DRB15M X 18DP SG
DDR1821	-	N/A	-	N/A	2	DDF18 DDF18D	2	DRB18 X 18DP SG DRB18M X 18DP SG
DDR2121	-	N/A	-	N/A	2	DDF21 DDF21D	2	DRB21 X 18DP SG DRB21M X 18DP SG
DDR2421	-	N/A	-	N/A	2	DDF24 DDF24D	2	DRB24 X 18DP SG DRB24M X 18DP SG
DESK DRAWER BASE • 24" DEEP								
DDR1224	-	N/A	-	N/A	2	DDF12 DDF12D	2	DRB12 X 18DP SG DRB12M X 18DP SG
DDR1524	-	N/A	-	N/A	2	DDF15 DDF15D	2	DRB15 X 18DP SG DRB15M X 18DP SG
DDR1824	-	N/A	-	N/A	2	DDF18 DDF18D	2	DRB18 X 18DP SG DRB18M X 18DP SG
DDR2124	-	N/A	-	N/A	2	DDF21 DDF21D	2	DRB21 X 18DP SG DRB21M X 18DP SG
DDR2424	-	N/A	-	N/A	2	DDF24 DDF24D	2	DRB24 X 18DP SG DRB24M X 18DP SG
DESK FILE PULL-OUT CABINET								
DFDC1821	1	DR1818	-	N/A	1	DDF18	1	DRB18 X 18DP SG DFDC FILE UNIT 21
DFDC1824	1	DR1818	-	N/A	1	DDF18	1	DRB18 X 18DP SG DFDC FILE UNIT 24
KNEEHOLE DRAWER CABINET								
KDC27/21	-	N/A	-	N/A	1	DDFKDC27/21	1	DRBKDC27X 15DP DT SG
KDC33/27	-	N/A	-	N/A	1	DDFKDC33/27	1	DRBKDC33X 15DP DT SG
KDC36/33	-	N/A	-	N/A	1	DDFKDC36/33	1	DRBKDC36X 15DP DT SG

SKU	DOOR		SHELF/ACCESSORY	
	Qty	Part Name	Qty	Part Name
UNIVERSAL DESIGN BASE				
B24 1B UD	2	DR1224	1	24" SHELF 3/4
B27 UD	2	DR1324	1	27" SHELF 3/4
B30 UD	2	DR1524	1	30" SHELF 3/4
B33 UD	2	DR1624	1	33" SHELF 3/4
B36 UD	2	DR1824	1	36" SHELF 3/4
B39 UD	2	DR1924	1	39" SHELF 3/4
B42 UD	2	DR2124	1	42" SHELF 3/4
B45 UD	3	DR1524	1	45" SHELF 3/4
UNIVERSAL DESIGN BASE WITH ONE SLIDING SHELF				
B12 SS1 UD	1	DR1224	1	SSK12
B15 SS1 UD	1	DR1524	1	SSK15
B18 SS1 UD	1	DR1824	1	SSK18
B21 SS1 UD	1	DR2124	1	SSK21
B24 1B SS1 UD	2	DR1224	1	SSK24
UNIVERSAL DESIGN BASE WITH TWO SLIDING SHELVES				
B12 SS2 UD	1	DR1224	2	SSK12
B15 SS2 UD	1	DR1524	2	SSK15
B18 SS2 UD	1	DR1824	2	SSK18
B21 SS2 UD	1	DR2124	2	SSK21
B24 1B SS2 UD	2	DR1224	2	SSK24
UNIVERSAL DESIGN CORNER BASE SUSAN				
CBS36 UD	1	DR1524	1	CBS36 SHELF RAS
UNIVERSAL DESIGN SINK BASE				
SB33 UD	2	DR1624	-	N/A
SB30 UD	2	DR1524	-	N/A
SB36 UD	2	DR1824	-	N/A

SKU	DRAWER		
	Qty	DRAWER FRONT Part Name	DRAWER BODY Part Name
UNIVERSAL DESIGN BASE MULTI-USE			
BMU30 UD	1	DDF30	DRB30 X 18DP SG
UNIVERSAL DESIGN DRAWER BASE			
DB12 UD	2	DDF12 DDF12D	DRB12 X 18DP SG DRB12M X 18DP SG
DB15 UD	2	DDF15 DDF15D	DRB15 X 18DP SG DRB15M X 18DP SG
DB18 UD	2	DDF18 DDF18D	DRB18 X 18DP SG DRB18M X 18DP SG
DB21 UD	2	DDF21 DDF21D	DRB21 X 18DP SG DRB21M X 18DP SG
DB24 UD	2	DDF24 DDF24D	DRB24 X 18DP SG DRB24M X 18DP SG
UNIVERSAL DESIGN BASE PLUMBING SKIRT			
BPS30 UD	1	DDFKDC33/27	N/A
BPS36 UD	1	DDFKDC36/33	N/A
UNIVERSAL DESIGN VANITY PLUMBING SKIRT			
VPS36 UD	1	DDFKDC36/33	N/A

DRAWER BODIES	
Part Name	Dimensions
Standard Drawer Bodies	
18" Deep	
DRB12 X 18DP SG	7 23/32" x 3 5/8" x 18"
DRB15 X 18DP SG	10 23/32" x 3 5/8" x 18"
DRB18 X 18DP SG	13 23/32" x 3 5/8" x 18"
DRB19 X 18DP SG	15 7/32" x 3 5/8" x 18"
DRB21 X 18DP SG	16 23/32" x 3 5/8" x 18"
DRB24 X 18DP SG	19 23/32" x 3 5/8" x 18"
DRB27 X 18DP SG	22 23/32" x 3 5/8" x 18"
DRB30 X 18DP SG	25 23/32" x 3 5/8" x 18"
DRB33 X 18DP SG	28 23/32" x 3 5/8" x 18"
DRB36 X 18DP SG	31 23/32" x 3 5/8" x 18"
15" Deep	
DRB12 X 15DP SG	7 23/32" x 3 5/8" x 15"
DRB15 X 15DP SG	10 23/32" x 3 5/8" x 15"
DRB18 X 15DP SG	13 23/32" x 3 5/8" x 15"
DRB19 X 15DP SG	15 7/32" x 3 5/8" x 15"
DRB21 X 15DP SG	16 23/32" x 3 5/8" x 15"
DRB24 X 15DP SG	19 23/32" x 3 5/8" x 15"
DRB27 X 15DP SG	22 23/32" x 3 5/8" x 15"
DRB30 X 15DP SG	25 23/32" x 3 5/8" x 15"
DRB33 X 15DP SG	28 23/32" x 3 5/8" x 15"
DRB36 X 15DP SG	31 23/32" x 3 5/8" x 15"
12" Deep	
DRB12 X 12DP SG	7 23/32" x 3 5/8" x 12"
DRB15 X 12DP SG	10 23/32" x 3 5/8" x 12"
DRB18 X 12DP SG	13 23/32" x 3 5/8" x 12"
DRB19 X 12DP SG	12 7/32" x 3 5/8" x 12"
DRB21 X 12DP SG	16 23/32" x 3 5/8" x 12"
DRB24 X 12DP SG	19 23/32" x 3 5/8" x 12"
DRB27 X 12DP SG	22 23/32" x 3 5/8" x 12"
DRB30 X 12DP SG	25 23/32" x 3 5/8" x 12"
DRB33 X 12DP SG	28 23/32" x 3 5/8" x 12"
DRB36 X 12DP SG	31 23/32" x 3 5/8" x 12"
9" Deep	
DRB12 X 9DP SG	7 23/32" x 3 5/8" x 9"
DRB15 X 9DP SG	10 23/32" x 3 5/8" x 9"
DRB18 X 9DP SG	13 23/32" x 3 5/8" x 9"
DRB19 X 9DP SG	12 7/32" x 3 5/8" x 9"
DRB21 X 9DP SG	16 23/32" x 3 5/8" x 9"
DRB24 X 9DP SG	19 23/32" x 3 5/8" x 9"
DRB27 X 9DP SG	22 23/32" x 3 5/8" x 9"
DRB30 X 9DP SG	25 23/32" x 3 5/8" x 9"
DRB33 X 9DP SG	28 23/32" x 3 5/8" x 9"
DRB36 X 9DP SG	31 23/32" x 3 5/8" x 9"

DRAWER BODIES	
Part Name	Dimensions
Large Drawer Bodies	
18" Deep	
DRB12M X 18DP SG	7 23/32" x 7 3/4" x 18"
DRB15M X 18DP SG	10 23/32" x 7 3/4" x 18"
DRB18M X 18DP SG	13 23/32" x 7 3/4" x 18"
DRB21M X 18DP SG	16 23/32" x 7 3/4" x 18"
DRB24M X 18DP SG	19 23/32" x 7 3/4" x 18"
DRB27M X 18DP SG	22 23/32" x 7 3/4" x 18"
DRB30M X 18DP SG	25 23/32" x 7 3/4" x 18"
DRB33M X 18DP SG	28 23/32" x 7 3/4" x 18"
DRB36M X 18DP SG	31 23/32" x 7 3/4" x 18"
15" Deep	
DRB12M X 15DP SG	7 23/32" x 7 3/4" x 15"
DRB15M X 15DP SG	10 23/32" x 7 3/4" x 15"
DRB18M X 15DP SG	13 23/32" x 7 3/4" x 15"
DRB21M X 15DP SG	16 23/32" x 7 3/4" x 15"
DRB24M X 15DP SG	19 23/32" x 7 3/4" x 15"
DRB27M X 15DP SG	22 23/32" x 7 3/4" x 15"
DRB30M X 15DP SG	25 23/32" x 7 3/4" x 15"
DRB33M X 15DP SG	28 23/32" x 7 3/4" x 15"
DRB36M X 15DP SG	31 23/32" x 7 3/4" x 15"
12" Deep	
DRB12M X 12DP SG	7 23/32" x 7 3/4" x 12"
DRB15M X 12DP SG	10 23/32" x 7 3/4" x 12"
DRB18M X 12DP SG	13 23/32" x 7 3/4" x 12"
DRB21M X 12DP SG	16 23/32" x 7 3/4" x 12"
DRB24M X 12DP SG	19 23/32" x 7 3/4" x 12"
DRB27M X 12DP SG	22 23/32" x 7 3/4" x 12"
DRB30M X 12DP SG	25 23/32" x 7 3/4" x 12"
DRB33M X 12DP SG	28 23/32" x 7 3/4" x 12"
DRB36M X 12DP SG	31 23/32" x 7 3/4" x 12"
9" Deep	
DRB12M X 9DP SG	7 23/32" x 7 3/4" x 9"
DRB15M X 9DP SG	10 23/32" x 7 3/4" x 9"
DRB18M X 9DP SG	13 23/32" x 7 3/4" x 9"
DRB21M X 9DP SG	16 23/32" x 7 3/4" x 9"
DRB24M X 9DP SG	19 23/32" x 7 3/4" x 9"
DRB27M X 9DP SG	22 23/32" x 7 3/4" x 9"
DRB30M X 9DP SG	25 23/32" x 7 3/4" x 9"
DRB33M X 9DP SG	28 23/32" x 7 3/4" x 9"

MISCELLANEOUS DRAWER BODIES	
Part Name	Dimensions
Kneehole Drawer	
DRBKDC27X 15DP DT FD	16 23/32" x 2 15/32" x 15"
DRBKDC33X 15DP DT FD	22 23/32" x 2 15/32" x 15"
DRBKDC36X 15DP DT FD	28 23/32" x 2 15/32" x 15"
Miscellaneous	
DRB6 BSDC6	4 29/32" x 22 15/16" x 4 3/4"
DRB6 SDC30	4 29/32" x 10 15/16" x 4 3/4"
DRB6 SDC30	4 29/32" x 10 15/16" x 4 3/4"
DRB6 SDC30	4 29/32" x 10 15/16" x 4 3/4"
DRB6 SDC30	4 29/32" x 10 15/16" x 4 3/4"

GLASS INSERTS	
Part Name	Dimensions
12" Wide	
DGI-1218	6 21/64" x 12 25/64"
DGI-1224	6 21/64" x 18 49/64"
DGI-1230	6 21/64" x 24 25/64"
DGI-1236	6 21/64" x 30 25/64"
DGI-1242	6 21/64" x 36 25/64"
13" Wide	
DGI-1318	7 53/64" x 12 25/64"
DGI-1324	7 53/64" x 18 49/64"
DGI-1330	7 53/64" x 24 25/64"
DGI-1336	7 53/64" x 30 25/64"
DGI-1342	7 53/64" x 36 25/64"
15" Wide	
DGI-1512	9 21/64" x 6 25/64"
DGI-1515	9 21/64" x 9 25/64"
DGI-1518	9 21/64" x 12 25/64"
DGI-1524	9 21/64" x 18 49/64"
DGI-1530	9 21/64" x 24 25/64"
DGI-1536	9 21/64" x 30 25/64"
DGI-1542	9 21/64" x 36 25/64"
16" Wide	
DGI-1615	10 53/64" x 9 25/64"
DGI-1618	10 53/64" x 12 25/64"
DGI-1624	10 53/64" x 18 49/64"
DGI-1630	10 53/64" x 24 25/64"
DGI-1636	10 53/64" x 30 25/64"
DGI-1642	10 53/64" x 36 25/64"
18" Wide	
DGI-1812	12 21/64" x 6 25/64"
DGI-1815	12 21/64" x 9 25/64"
DGI-1818	12 21/64" x 12 25/64"
DGI-1824	12 21/64" x 18 49/64"
DGI-1830	12 21/64" x 24 25/64"
DGI-1836	12 21/64" x 30 25/64"
DGI-1842	12 21/64" x 36 25/64"
19" Wide	
DGI-1912	13 53/64" x 6 25/64"
DGI-1915	13 53/64" x 9 25/64"
DGI-1918	13 53/64" x 12 25/64"
DGI-1924	13 53/64" x 18 49/64"
DGI-1930	13 53/64" x 24 25/64"
DGI-1936	13 53/64" x 30 25/64"
DGI-1942	13 53/64" x 36 25/64"
21" Wide	
DGI-2118	15 21/64" x 12 25/64"
DGI-2124	15 21/64" x 18 49/64"
DGI-2130	15 21/64" x 24 25/64"
DGI-2136	15 21/64" x 30 25/64"
DGI-2142	15 21/64" x 36 25/64"

MISCELLANEOUS PARTS & ACCESSORIES

HINGES

Part Name	Description
HINGE 170 FRAMED	Door-to-frame hinge for BER, BSS, CAR or WER cabinet
HINGE SOL 4WY 45	Hinge for Value Built door styles
HINGE ER	Hinge for BER, BSS, CAR or WER24 cabinet
HINGE FACEMOUNT 45	Hinge for facemount oven applications
HINGE KIT TRI-VIEW	Hinge Kit for Tri-View Mirror (3 pulls & 3 hinges)
HINGE TILT OUT 45	Hinge for factory installed tilt-out tray
PCSK HINGE	Center hinge for PCSK36

GLIDES/TRACKS/CHANNELS FOR 24" DEEP BASE/DESK OR SLIDING SHELF

Part Name	Description
CHANNEL SS1 L	Left channel for 24" deep sliding shelf
CHANNEL SS1R	Right channel for 24" deep sliding shelf
CHANNEL 21L	Left channel for 24" deep base/desk
CHANNEL 21R	Right channel for 24" deep base/desk
TRACK GA 21L	Left track for 24" deep base/desk or sliding shelf
TRACK GA 21R	Right track for 24" deep base/desk or sliding shelf

TRACKS/CHANNELS FOR 21" DEEP VANITY/DESK

Part Name	Description
CHANNEL V L	Left channel for 21" deep vanity/desk
CHANNEL V R	Right channel for 21" deep vanity/desk
TRACK V L	Left track for 21" deep vanity/desk
TRACK V R	Right track for 21" deep vanity/desk

TRACKS/CHANNELS FOR 18" DEEP VANITY OR KNEEHOLE DRAWER CABINET

Part Name	Description
CHANNEL V 18L	Left channel for 18" deep vanity or Kneehole Drawer Cabinet
CHANNEL V 18R	Right channel for 18" deep vanity or Kneehole Drawer Cabinet
TRACK GA 16L	Left track for 18" deep vanity or Kneehole Drawer Cabinet
TRACK GA 16R	Right track for 18" deep vanity or Kneehole Drawer Cabinet

CLIPS / BRACKETS

Part Name	Description
BRACKET CHAN B	Back bracket for sliding shelf
BRACKET RED DP REAR	Back bracket for reduced depth side-mounted glide
CLIP DDF	Drawer front clip
CLIP MIRROR MCM SOL	Clip for MCM1530 standard overlay mirror door
CLIP MIRROR TRIVIEW	Clip for TV3030/TV3630 Tri-View Mirror Door
CLIP PILASTER	Shelf rest for PSK36 shelf and Pilaster Kit
CLIP REAR SHELF	Middle shelf rest for 27" or wider wall cabinet shelf
CLIP SHELF NP SPIN	Locking shelf clip for NP spin units (base 4 required, wall 5 required)
MOUNT BRACKET GA SS1	Bracket for side-mounted channels
SHELF REST OSS 6PK	Package of six clips for Oven Support Shelf Kit
SHELF SUPT ADJ BASE	Middle shelf rest for 27" or wider base cabinet shelf

BATTENS

Part Name	Description
BATTEN DR15HIGH SOL	Batten for 15" high standard overlay door
BATTEN DR18HIGH SOL	Batten for 18" high standard overlay door
BATTEN DR18V SOL	Batten for 18" high vanity standard overlay door
BATTEN DR21DSB SOL	Batten for standard overlay deep sink base door
BATTEN DR24HIGH SOL	Batten for 24" high standard overlay door
BATTEN DR30HIGH SOL	Batten for 30" high standard overlay door
BATTEN DR36HIGH SOL	Batten for 36" high standard overlay door
BATTEN DR42HIGH SOL	Batten for 42" high standard overlay door
BATTEN DR50HIGH SOL	Batten for 50" high standard overlay door

SCREWS

Part Name	Description
SCREW BATTEN/DDF 1"	Screw for drawer fronts or battens
SCREW CHANNEL	Channel installation screw (1 per channel)
SCREW DDF 1 1/4"	Drawer front installation screw
SCREW DDF SDC 7/8"	SDC drawer front installation screw (1 per drawer body)
SCREW EXTENDER RD	Screw for RD extender (1 per extender)
SCREW GLIDE FD	Adjustment screw for full-extension hidden glide (1 per glide)
SCREW HINGE/DR	Hinge-to-door screw (2 per door)
SCREW HINGE/FR	Hinge-to-frame screw (1 per hinge)
SCREW TRACK	Track installation screw (3 per track)

MISCELLANEOUS PARTS & ACCESSORIES

WHITE PLASTIC SPIN SHELVES AND PARTS

Part Name	Description
BSSCAR HUB RAS	With rollers, fits into shelf for pole attachment
BSSCWSCAR BRKT RAS	Top and bottom mounting brackets
BSSCWSCAR COLLAR ASM	Locking adjustable shelf collar for top shelf
BSSCWSCAR T-SHAFT RA	Metal post on which shelves spin (1 required)
BSS33 SHELF RAS	White spin shelf for BSS33/BSS3336/BSS3633 (2 required)
BSS36 SHELF RAS	White spin shelf for BSS36 (2 required)
CAR SHELF RAS	White spin shelf for CAR36 (2 required)
CBS SHELF RAS	White spin shelf for CBS36 (2 required)
CWS HUB RAS	With rollers, fits into shelf for pole attachment
CWS SHELF RAS	White spin shelf for CWS2430 (2 required)

MISCELLANEOUS SHELVING

Part Name	Description
BS18 SHELF 1PK	Single shelf for BS18
BS18 SHELF 4PK	4-Pack Shelf Kit for BS18
BS24 SHELF 1PK	Single Shelf for BS24
BS24 SHELF 4PK	4-Pack Shelf Kit for BS24
BS30 SHELF 1PK	Single shelf for BS30
BS30 SHELF 4PK	4-Pack Shelf Kit for BS30
BS36 SHELF 1PK	Single shelf for BS36
BS36 SHELF 4PK	4-Pack Shelf Kit for BS36
S369	Shelf for PSK36 shelf and Pilaster Kit
WCMSC2412 SHELF	Microwave shelf for WCMSC241236
WCMSC2712 SHELF	Microwave shelf for WCMSC271236
WMSC2712 SHELF	Microwave shelf for WMSC271236
WMSC2718 SHELF	Microwave shelf for WMSC271836
WMSC3012 SHELF	Microwave shelf for WMSC301236

MISCELLANEOUS

Part Name	Description
BFP3 FRONT FILLER	Filler for BFP3 Base Filler Pull-Out
BPP9 KIT	Kit for BPP9 Base Panty Pull-Out
BPP12 KIT	Kit for BPP12 Base Pantry Pull-Out
BPPUS9 KIT	Kit for BPPUS9 Base Pull-Out Utensil Storage
BPPUS12 KIT	Kit for BPPUS12 Base Pull-Out Utensil Storage
BTDP9 KIT	Kit for BTDP9 Base Tray Divider Pull-Out
BUMPER CLEAR	Door bumper (Strip of 4 bumpers)
BUMPER CLEAR 55	Door bumper (Strip of 55 bumpers)
BUMPER CLEAR DWR	Drawer bumper (Strip of 4 bumpers)
BWBB15 FH SOL KIT	Wastebasket kit for BWBB15 FH
BWBB15 SOL KIT	Wastebasket kit for BWBB15
BWBB15-2 SOL KIT	Wastebasket kit for BWBB15-2
BWBB18 FH SOL KIT	Wastebasket kit for BWBB18 FH
BWBB18-2 SOL KIT	Wastebasket kit for BWBB18-2
BWBB21-2 FH SOL KIT	Wastebasket kit for BWBB21-2 FH
BWBB21-2 SOL KIT	Wastebasket kit for BWBB21-2
CORNER BRACKET	Corner block
COVER CAP 10MM TAN	Tan cover cap for cabinet backs
COVER CAP 10MM WHT	White cover cap for cabinet backs
DWBB1821 SOL KIT	Wastebasket kit for DWBB1821
DWBB1824 SOL KIT	Wastebasket kit for DWBB1824
DFDC FILE UNIT 21	File unit for DFDC1821
DFDC FILE UNIT 24	File unit for DFDC1824
FRAME SPACER BPP9	Unit stabilizer and frame spacer for BPP9 and BTDP9
KNOB SDC	Wooden knob for SDC/BSDC6
LATCH TILT OUT TRAY	Latch for factory installed Tilt-Out Tray
MAG CATCH TV BLK	Black magnetic catch for TV3030/TV3630 Tri-View Mirror
MAG CATCH TV WHT	White magnetic catch for TV3030/TV3630 Tri-View Mirror
MC SHELF HDWE	Package of 4 shelf clips for MC/MCM cabinet
MIRROR TV3030	Mirror for TV3030
MIRROR TV3630	Mirror for TV3630
PK36	Pilaster kit for PSK36 shelf and Pilaster Kit
PULL TRIVIEW	Chrome pull for TV3030/TV3630 Tri-View Mirror
ROT DIVIDER KIT	Divider for ROTDK12/ROTDK15
ROT PROTECTOR	End plastic protector on sliding shelves
TRAY ST TILT OUT 11	Stainless Tray ONLY for factory installed tilt-out
TRAY ST TILT OUT 14	Stainless Tray ONLY for factory installed tilt-out
TRAY ST TILT OUT 24	Stainless Tray ONLY for factory installed tilt-out
TRAY TILT OUT 11	Plastic Tray ONLY for factory installed tilt-out
TRAY TILT OUT 14	Plastic Tray ONLY for factory installed tilt-out
TRAY TILT OUT 24	Plastic Tray ONLY for factory installed tilt-out
VWBB1834H SOL KIT	Wastebasket kit for VWBB1834H
WASTEBASEKT 27QT SLV	Silver 27-Quart trashcan
WASTEBASEKT 35QT SLV	Silver 35-Quart trashcan
WASTEBASEKT 50QT SLV	Silver 50-Quart trashcan
WCC DOWEL	Dowel for WCC cabinet
WCC24 4PC RAIL	Top and bottom dowel rails for WCC2415
WCC30 4PC RAIL	Top and bottom dowel rails for WCC3015
WCC36 4PC RAIL	Top and bottom dowel rails for WCC3615
WOOD SPIN HOLE PLUG	Plug for wood spin shelf

REPLACEMENT DRAWER - REFERENCE SHEET

REPLACEMENT PARTS FOR SIDE-MOUNTED 24" DEEP BASE AND DESK DRAWERS

Part Name	Description
DRB__ x 18DP SG	Small drawer body
DRB__M x 18DP SG	Large drawer body
CHANNEL 21L	Left channel for drawer - attaches to cabinet (qty 1 per drawer)
CHANNEL 21R	Right channel for drawer - attaches to cabinet (qty 1 per drawer)
TRACK GA 21L	Left track for drawer - attaches to drawer body (qty 1 per drawer)
TRACK GA 21R	Right track for drawer - attaches to drawer body (qty 1 per drawer)
BRACKET CHAN B	Back bracket for channel - attaches channel to cabinet (qty 2 per drawer)
SCREW CHANNEL	Channel screw - attaches channel to face frame (qty 1 per drawer)
SCREW TRACK	Track screw - attaches track to drawer body (qty 3 per drawer)

REPLACEMENT PARTS FOR SIDE-MOUNTED 21" DEEP VANITY AND DESK DRAWERS

Part Name	Description
DRB__ x 18DP SG	Small drawer body
DRB__M x 18DP SG	Large drawer body
CHANNEL V L	Left channel for drawer - attaches to cabinet (qty 1 per drawer)
CHANNEL V R	Right channel for drawer - attaches to cabinet (qty 1 per drawer)
TRACK V L	Left track for drawer - attaches to drawer body (qty 1 per drawer)
TRACK V R	Right track for drawer - attaches to drawer body (qty 1 per drawer)
BRACKET CHAN B	Back bracket for channel - attaches channel to cabinet (qty 2 per drawer)
SCREW CHANNEL	Channel screw - attaches channel to face frame (qty 1 per drawer)
SCREW TRACK	Track screw - attaches track to drawer body (qty 3 per drawer)

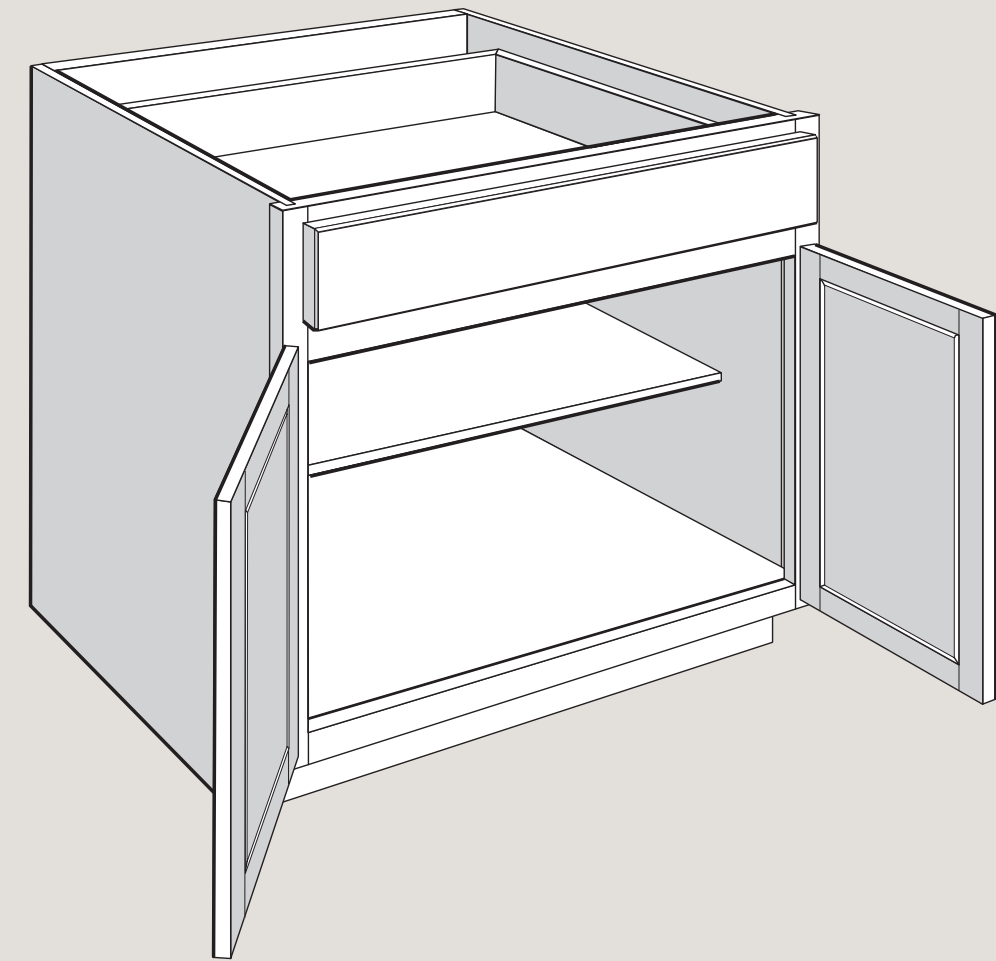
REPLACEMENT PARTS FOR SIDE-MOUNTED 18" DEEP VANITY/KNEEHOLE DRAWERS

Part Name	Description
DRB__ x 15DP SG	Small drawer body
DRB__M x 15DP SG	Large drawer body
DRBKDC_X 15DP DT SG	Kneehole drawer body
CHANNEL V 18L	Left channel for drawer - attaches to cabinet (qty 1 per drawer)
CHANNEL V 18R	Right channel for drawer - attaches to cabinet (qty 1 per drawer)
TRACK GA 16L	Left track for drawer - attaches to drawer body (qty 1 per drawer)
TRACK GA 16R	Right track for drawer - attaches to drawer body (qty 1 per drawer)
BRACKET CHAN B	Back bracket for channel - attaches channel to cabinet (qty 2 per drawer)
SCREW CHANNEL	Channel screw - attaches channel to face frame (qty 1 per drawer)
SCREW TRACK	Track screw - attaches track to drawer body (qty 3 per drawer)

REPLACEMENT PARTS FOR 24" DEEP SLIDING SHELVES WITH SIDE-MOUNTED GLIDES

Part Name	Description
SSK_	Sliding Shelf Kit
CHANNEL SS1L	Left channel for sliding shelf - attaches to cabinet (qty 1 per drawer)
CHANNEL SS1R	Right channel for sliding shelf - attaches to cabinet (qty 1 per drawer)
TRACK GA 21L	Left track for sliding shelf - attaches to drawer body (qty 1 per drawer)
TRACK GA 21R	Right track for sliding shelf - attaches to drawer body (qty 1 per drawer)
BRACKET CHAN B	Back bracket for channel - attaches channel to cabinet (qty 2 per drawer)
SCREW CHANNEL	Channel screw - attaches channel to face frame (qty 1 per sliding shelf)
SCREW TRACK	Track screw - attaches track to drawer body (qty 3 per drawer)

INDEX



	Code	Page
3-Sided Stock	S3S__	137
4-Sided Stock	S4S__	137
A		
Accent Turned Foot	ATF	164
Accent Turned Foot, Full Round	ATF-FR	164
Adjustable Shelf Kit	S/SK__	110, 125
Angle Crown Molding	ACM8	134
Angled Countertop Support	AS12__	158
Angled Outside Corner Molding	AOSC8	138
Aster Block - 3"	_B3X6 ASTER	162
Asymmetrical Base Easy Reach	BER__	75
Asymmetrical Base Super Susan with Plastic Spin Unit	BSS__	75
Asymmetrical Base Super Susan with Wood Spin Unit	BSS__ WD	75
B		
Base Bookshelf	BS2434	95
Base Cabinet, 1 Factory Installed Wastebasket	BWBB15	61
Base Cabinet, 2 Factory Installed Wastebaskets	BWBB__-2	61
Base Cabinet Construction	-	15
Base Cabinet Decorator Matching Doors	DMDB	146
Base Cabinet Dimensions	-	16
Base Cabinets	-	59
Base Cabinet Standard with 2 Doors	B__	63
Base Cabinet Standard with Center Stile	B__	63, 65, 66
Base Cabinet Standard with 1 Door	B__	60
Base Cabinet Tray Divider Pull-Out	BTDP9	67
Base Cabinet, Universal Design	B__UD	128
Base Cabinet with 2 Doors and Sliding Shelves	B__ SS__	63
Base Cabinet with Center Stile and Sliding Shelves	B__ SS__	64, 66
Base Cabinet with Cutting Board Door Rack Kit	B18 CBDR	61
Base Cabinet with Factory Installed Drawer Organizers	B__	62
Base Cabinet with Factory Installed Roll-Out Tray Divider	B__ FAROTD	60
Base Cabinet with 1 Door and Sliding Shelves	B__ SS__	60
Base Cabinet with Plastic Bag Door Storage Kit	B__ PBDSU	61
Base Column Filler	B_C__	150
Base Corner Filler	BCF27	150
Base Easy Reach	BER__	74
Base End Angle	BEA__ FH	84
Base Filler Pull-Out	BFP3	85
Base Locking Shelf Rest	-	20
Base Microwave Cabinet	BMC__	85
Base Oven Cabinet Universal	BOCU__	85
Base Pantry Pull-Out	BPP__	68
Base Pot & Pan Organizer Cabinet, 2 Doors	B__ FABPPO	64, 66
Base Pot & Pan Organizer Cabinet, 1 Door	B__ FABPPO	60
Base Pot & Pan Organizer Kit	BPPOKFA__	86
Base Recycling Kit	BR2B15	88
Base Spice Drawer Cabinet	BSDC6	83
Base Square Foot and Leg	BSQF, BSQL	164
Base Super Susan, with Plastic Spin Unit	BSS__	74
Base Super Susan, with Wood Spin Unit	BSS__ WD	74
Base Tapered Leg	BTPL	164
Base Toe Kick	BTK8	151
Base Turned Leg	BTL	164
Base Utensil Storage Pull-Out	BPPU__	68
Base Wine Rack Cabinet	BWRC6	83
Batten Molding	BM8 WD	138
Batten Molding, Builder	BM8 BLD	140
Blind Corner Base	BLB__	77
Blind Corner Base Installation Chart	-	77

	Code	Page
Blind Corner Closure	BLC__	58
Blind Peninsula Corner Base	PBC__	73
Blind Peninsula Wall Cabinet	BLPW__	45
Blind Peninsula Wall Cabinet Installation Chart	-	45
Blind Wall Cabinet	BLW__	46
Blind Wall Cabinet Dimensions & Installation Chart	-	47
C		
Cabinet Angle Molding	CAM8	138
Cabinet Care	-	12
Cabinet Front Only Option	CFO	28
Cabinet Specifications	-	11
Cabinet Tray Divider	TD3	87, 109
Ceiling Height Requirements	-	23
Center Beaded Insert Molding	CBE8	135
Certification	-	10
Chair Rail Molding	CR8	137
Chantilly Decorative Foot and Leg	CDF, CDL	167
Chantilly Furniture Leg	CFL	167
Classic Baseboard Molding	CLBM8	139
Classic Furniture Toe Kick, Corner, and End	CFTK__, CFTK-C, CFTK-E__	163
Classic Trim Molding	CLTM8	136
Cleat	HWC__	151
Construction Option Examples	-	26
Construction Option Legend	-	26
Construction Options	-	25
Corner Base Carousel	CAR	76
Corner Base Lazy Susan, Universal Design	CBS36 UD	131
Corner Base with Plastic Spin Shelves	CBS36	76
Corner Base with Wood Spin Units	CBS36 WD	76
Corner Lazy Susan	CLS45F	87
Corner Sink Base	CSB36	78
Corner Sink Front	CSF__	83
Corner Wall Cabinets	CW__	48
Countertop Edge Molding	CTM8 WD	134
Cover Caps	COVER CAP	152
Crown Molding, Builder	CM8 BLD	139
Crown Molding	CM8 WD	134
Curved Countertop Support	CS12__	158
CushionClose Door Buffer	CUSH CLOSE DR BUFFER	152
Cutlery Divider Kit	CDAK__	87
Cutting Board Door Rack Kit	CBDRK18	89
D		
Decorative Accents	-	155
Decorative Countertop Edge Molding	DCTM8	134
Decorative Furniture Toe Kick, Corner, and End	DFTK__, DFTK-C, DFTK-E__	163
Decorative Hardware	KNOB/PULL	169
Decorative Inside Corner Molding	ICM8	138
Decorative Cove Molding, Large and Small	DLCVM8, DSCVM8	134
Decorator Door Clips	CLIP DGI__	37
Decorator Matching Doors	DMDBEA12	146
Deep Sink/Range Base Cabinet	DSB__	79
Dentil Molding	DM8 WD	135
Desk Cabinet Decorator Matching Doors	DMDD__	146
Desk Cabinet Dimensions	-	17
Desk Cabinets & Bookshelves	-	91
Desk Door Cabinet, 21" and 24" Deep	DDO__21, DDO__24	92
Desk Drawer Cabinet, 21" and 24" Deep	DDR__21, DDR__24	93
Desk End Panel	DEP	122, 142
Desk File Pull-Out Cabinet, 21" and 24" Deep	DFDC1821, DFDC1824	93

	Code	Page
Desk Wastebasket Cabinet, 21" and 24" Deep	DWBB1821, DWBB1824	92
Dishwasher Return	DWR3	142
Door Style Collections, Value Built	-	4
Double Oven Cabinet with 1 Drawer	OVD__	106
Double Oven Cabinet with 1 Large Drawer	OVD__1DDWR	107
Double Oven Cabinet with 2 Drawers	OVD__2DWR	107
Double Oven Cabinet	OVD__NDWR	106
Drawer Base Cabinet with 3 Drawers	DB__	70
Drawer Base Cabinet with 4 Drawers	DB__4DWR	70
Drawer Base Cabinet Dimensions	-	17
Drawer Base Cabinet, Universal Design	DB__UD	129
Drawer Base Cabinet with Factory Installed Drawer Accessory	DB__	71
Dummy Drawer Front Fastener	DDF FASTENER	152

E

Estelle Decorative Foot and Leg	EDF, EDL	165
Estelle Furniture Leg	EFL	165

F

Filler, Plain Box	WPB__	53
Finished Shelf	FS__	58
Finishing System Specifications		12
Floating Shelf	FLSH__	57, 95
Fluted Beaded Filler Extension	FBF E3__	149
Fluted Beaded Filler	FBF__	149
Full Depth Shelf Option	FDS	30
Full-Height Base Cabinet with 1 Factory Installed Wastebasket	BWBB__FH	68
Full-Height Base Cabinet with 2 Doors	B__FH	69
Full-Height Base Cabinet with 2 Factory Installed Wastebaskets	BWBB21-2 FH	68
Full-Height Base Cabinet with 1 Door	TB9/B__FH	67
Full-Height Base Cabinet with Tray Divider, Shelf	TB9 TDS	67
Full-Height Base with 2 Doors, Sliding Shelves	B__FH SS__	69
Full-Height Base with 1 Door, Sliding Shelves	B__FH SS__	67
Full-Height Peninsula Base	PB__FH	72
Full-Turned Post, Beaded and Fluted	POST234 B, POST234 F	167
Furniture Drawer Cabinet	FD__	69

G

Glass Insert	DGI__	34
Glass Shelf Kit	GSK__	58
Grooved End Panel	_EP__GROOVED	144

H

Hardware Specifications		20
Heat Shield Kit	HSK	90, 111
Hinges		20

I

Increased Depth Option	ID	28
Inset Light Rail Molding	ILR8	136
Inside Corner Molding, Builder	QM8 BLD	140
Inside Corner Molding	QM8 WD	138
Installation Guidelines	-	22
Inverted Frame Option	IF	29

K

Kneehole Drawer Cabinet	KDC__	93, 122
-------------------------	-------	---------

	Code	Page
--	------	------

L

Large Belhaven Corbel	BC312	159
Large Cove Molding	LCVM8	134
Large Crown Molding, Builder	LCM8 BLD	139
Large Finley Corbel	FC312	159
Large Laurel Corbel	LC312	160
Large Narrow Cove Corbel	CC212	158
Large Praire Corbel	PC312	160
Large Rosette Corbel	RC313	160
Large Valencia Corbel	VC312	159
Library Molding	LBM8	136
Light Rail Molding	LR8	136

M

Matching Interior Option	MI	30
Medicine Cabinet	MC/MCM__	121
Medium Belhaven Corbel	BC49	159
Medium Cove Corbel	CC49	158
Medium Finley Corbel	FC49	159
Medium Laurel Corbel	LC49	160
Medium Narrow Cove Corbel	CC29	158
Medium Praire Corbel	PC49	160
Medium Rosette Corbel	RC49	160
Medium Valencia Corbel	VC49	159
Metal Cove Corbel	METAL COVE 212__	161
Metal Emerson Corbel	METAL EMERSON 212__	161
Metal Shelf Rest	-	20
Microwave Wall	WMC__	44
Mirror Molding	MM8	135
Molding & Trim	-	133
Mullion Frame Door Profiles	MFD	33
Mullion Shelf Rest	-	20

O

Ogee Light Rail Molding	OGLR8	136
Ogee Molding	OGE8	135
Ogee Pilaster Molding	OGP8	139
Open Frame Door Profiles	OFD	33
Orlean Decorative Foot and Leg	ODF, ODL	166
Orlean Furniture Leg	OFL	166
Outside Corner Molding, Builder	OCM8 BLD	140
Outside Corner Molding	OCM8	138
Oven Cabinet, Microwave	OMC3396 AS OS	108
Oven Cabinet, Single	OVS__	101
Oven Support Shelf	OSS__	111
Overlay Dimensions	-	21

P

Panels, Fillers & Installation Items	-	141
Pantry Door Shelf Kit	PDSK18	109
Pantry Swing-Out Kit	PCSK36	108
Parker Decorative Foot and Leg	PDF, PFL	165
Parker Decorative	PDL	165
Pedestal Drawer Cabinet	PD__	70
Peninsula Base Cabinet	PB__	72
Peninsula Corner Wall	PWCW__	49
Peninsula Wall Cabinet	PW__	43
Plain Box Filler	WPB__	149
Plastic Bag Door Storage Unit	PBDSU__	89
Plinth Block - 3" and 6"	_B3X4 PLINTH, _B6X6 PLINTH	162
Plywood Panel	WP__	145

	Code	Page
Print End Panel	_EP__PRT	143
Putty Stick	PUTTY STICK	153
Pyramid Block - 3"	_B3X3 PYRAMID	162
Q		
Quarter Round Molding	QR8	138
R		
Range Hood Blower	RHVENT__	54
Range Hood Chimney	RHC__	54
Range Hood, Flat Panel Arched Valance	RH__FV	52
Range Hood Liner, Arched Valance	RHLINER__A	56
Range Hood Liner, Straight Valance	RHLINER__S	56
Range Hood Liner, Tapered	RHLINER__	56
Range Hood, Raised Panel Arched Valance	RH__AV	52
Range Hood, Straight Valance	RH__SV	52
Range Hood, Tapered	RH__T	53
Recessed Toe Kick Option	RTK	29
Reduced Depth Option	RD	27
Refrigerator Return Panel	RR__	145
Roll-Out Tray Divider Kit	ROTDKFA__	86
Rope Molding	RM8 WD	135
Rosette Block - 3"	_B3X3 ROSETTE	162
S		
Screws, Installation	SCREW	152
Scribe Molding, Builder	SM8 BLD	140
Scribe Molding	SM8 WD	138
Shaker Accent Molding	SAM WD	139
Shaker Chair Rail Molding	SQCR8	137
Shaker Insert Molding	SIM8	135
Shaker Mirror Molding	SMM8	135
Shelf, Adjustable	S/SK__	110, 125
Shelf End Base	SEB	84
Shelf End Peninsula Base	SEPB	84
Shelf End Wall, Round Top and Bottom	SEW__	52
Shelf End Wall, Square Top and Bottom	SEW__SQT	52
Shelf End Wall, Square Top and Round Bottom	SEW__SQT	52
Shelf, Floating	FLSH__	57, 95
Shelf Rests	SHELF REST	151
Shelf Under Cabinet Organizer	SUCO__	93
Shoe Molding, Builder	SHM8 BLD	140
Side-Mounted Drawer Glides	-	20
Single Bead Accent Molding	SBAM8 WD	139
Single Bead Insert Molding	SBIM8	135
Single Bead Molding	SBM8	137
Single Oven Cabinet with 2 Doors, 2 Large Drawers	OVS__2DDWR	104
Single Oven Cabinet with 2 Doors, 3 Drawers	OVS__3DWR	105
Single Oven Cabinet with 2 Doors, 4 Drawers	OVS__4DWR	105
Single Oven Cabinet with 4 Doors, 1 Drawer	OVS__1DWR	102
Single Oven Cabinet with 4 Doors, 1 Drawer & Pot & Pan Organizer	OVS__1DWR FABPPO	103
Single Oven Cabinet with 4 Doors, 2 Drawers	OVS__2DWR	103
Single Oven Cabinet with 4 Doors, 2 Drawers, Pot & Pan Organizer	OVS__2DWR FABPPO	104
Single Oven Cabinet with Base Pot & Pan Organizer	OVS__FABPPO	102
Sink Base Cabinet, Universal Design	SB__UD	129
Sink Base Door Storage Unit	SBDSU__	89
Sink Base Multi-Storage Cabinet	SBMS__1B STO	81
Sink Base Multi-Storage Shelf	SBMSS	90
Sink Base with 1 Factory Installed Tilt-Out Tray(s)	SB__STO/TO	80
Sink Base with 2 Factory Installed Tilt-Out Tray(s)	SB__STO/TO	81
Sink/Cooktop Base Cabinet	SB__	78

	Code	Page
Sink/Cooktop Front	SF__	82
Sink/Vanity Front Floor	FL__	143
Sink/Vanity Front Return	SFR	142
Sliding Shelf 4-Pack Kit	USS__4K	110, 125
Sliding Shelf Kit	SSK__	86, 95, 110, 125
Sliding Shelf Kit, Universal Design	SSK__	130
Sliding Towel Bar	STB	88
Small Belhaven Corbel	BC36	159
Small Cove Corbel	CC36	158
Small Cove Molding	SCVM8	134
Small Finley Corbel	FC36	159
Small Laurel Corbel	LC36	160
Small Narrow Cove Corbel	CC26	158
Small Praire Corbel	PC36	160
Small Rosette Corbel	RC36	160
Small Single Bead Molding	SSBM8	137
Small Traditional Light Rail Molding	STLR8	136
Small Valencia Corbel	VC36	159
Soffit Crown Molding	SCM8 WD	134
Specialty Door Options	-	32
Spice Drawer Cabinet	SDC__	50
Spice Drawer Insert Kit	SDIAK__	87
Spice Rack Kit	SRK__	57
Split Post	SPLT POST80__	168
Spray Stain	SPRAY STAIN	153
Square Inset Light Rail Molding	SQILR8	136
Square Light Rail Molding	SQLR8	136
Stain	STAIN	153
Standard Cabinet Specifications	-	9
Starter Molding	STRM8	137
Stem Glass Holder	SGH36U	57
Storage Cube	SC__	50, 94
T		
Tall Bookshelves	BS__	94
Tall Cabinet Decorator Matching Doors	DMDT__	147
Tall Cabinet Dimensions	-	19
Tall Cabinets	-	97
Tall Column Filler	T_C__	150
Tall End Panel	TEP120 WD	144
Tapered Foot	TPF	164
Tilt-Out Tray Kit	TO/STO TRAY__	90, 122
Toe Kick, Universal Design	BTK8__UD	151
Touch Up Kit	TOUCHUP KIT	152
Touchup Marker	TU MARKER	153
Traditional Classic Crown Molding	TCCM8 WD	134
Traditional Light Rail Molding	TLR8	136
Traditional Split Block	SPLT BLOCK2__T	168
Traditional Split Collar	SPLT COLLAR T	168
Triple Bead Accent Molding	TBAM8 WD	139
Triple Bead Edge Molding	TBE8	135
Triple Bead Insert Molding	TBIM8	135
Triple Bead Molding	TBM8	137
Tri-View Mirror	TV__	121
TuffTech Finishing System	-	12
U		
Universal Design Base Cabinet	B__UD	128
Universal Design Base Multi-Use	BMU30 UD	130
Universal Design Base Plumbing Skirt	BPS__UD	130
Universal Design Base with Sliding Shelves	B__SS__UD	128

	Code	Page
Universal Design Cabinet Dimensions	–	18
Universal Design Cabinets	–	127
Universal Design Corner Base Susan	CBS36 UD	131
Universal Design Drawer Base Cabinet	DB__UD	129
Universal Design Sink Base Cabinet	SB__UD	129
Universal Design Toe Kick	BTK8__UD	151
Universal Design Vanity Plumbing Skirt	VPS__UD	130
Universal Filler Extension	UF E3__	148
Universal Filler	UF__	148
Universal Scribe Molding, Builder	USM8 BLD	140
Utility Base Cabinet	UB60	79
Utility Cabinet, 12" Deep	UT__ 12 X __	98
Utility Cabinet with Adjustable Shelves, 12" Deep	UT__ 12 X __ AS	98
Utility Cabinet, 24" Deep	UT__ 24 X __	98
Utility Cabinet with Adjustable Shelves, 24" Deep	UT__ 24 X __ AS	98
Utility Cabinet with Pantry Storage, 24" Deep	UT3624 X __ PCDS	101
Utility Cabinet with Sliding Shelves, 24" Deep	UT__ 24 X __ 4SSK	99
Utility Cabinet Shelf & Pilaster Kit	PSK36	109

V

Valances	V__	156
Valet Cabinet	VC2436	121
Vanity Base Cabinet with Wastebasket Pull-Out, 34½" High	VWBB1834H	114
Vanity Base, Full-Height 2 Doors, 34½" High	VB__ 34H 1B FH	115
Vanity Base, Full-Height Door, 34½" High	VB__ 34H FH	115
Vanity Base, 1 Door	VB__	114
Vanity Base, 2 Doors	VB24	114
Vanity Cabinet Decorator Matching Doors	DMDV	147
Vanity Cabinet Dimensions	–	17
Vanity Cabinets	–	113
Vanity Combo Sink Base, 31 ⅞" High	VSDB__	118
Vanity Combo Sink Base, 34½" High	VSDB__34H	118
Vanity Drawer Base, 31 ⅞" High	VB__	114
Vanity Drawer Base, 31 ⅞" High	VDB__	115
Vanity Drawer Base, 34½" High	VB__34H	114
Vanity Drawer Base, 34½" High	VDB__34H	115
Vanity Linen Cabinet	VLC__	123
Vanity Linen Cabinet with Adjustable Shelves	VLC__ AS	123
Vanity Linen Cabinet with Sliding Shelves	VLC__ 4SSK	123
Vanity Sink Base, 31 ⅞" High	VSDB__	115
Vanity Sink Base, 31 ⅞" High	VSDB/VAN__	116
Vanity Sink Base, 34½" High	VSDB__34H	115
Vanity Sink Base, 34½" High	VSDB/VAN__34H	116
Vanity Sink Front, 31 ⅞" High	VSF__	120
Void Door Option	VDO__	31
Void Top Drawer Option	VTD	31

W

Wall Bookshelves	BS__	94
Wall Cabinet Construction	–	14
Wall Cabinet Decorator Matching Doors	DMDW__	147
Wall Cabinet Dimensions	–	16
Wall Cabinets	–	39
Wall Cabinet, Standard	W__	40
Wall Cabinet with Spice Rack	W__ SR	42
Wall China Cabinet	WCC__	51
Wall Column Filler	W_C__	150
Wall Easy Reach	WER__	49
Wall End Angle Cabinet	WEA12__	50
Wall Microwave Cabinet with Shelf	WMSC__	44
Wall Range Hood, Arched Valance	WRH__ AV	53

	Code	Page
Wall Range Hood, Straight Valance	WRH__ SV	53
Wall Top Hinge Cabinet	WTH__	42
Wastebasket Unit	WBU15	88
Wide Batten Molding	WBM8	138
Wine Rack Cabinet	WRC__	51
Wine Rack	WR36	57
Wine Storage Cabinet	WSC__	51
Wood End Panel	__EP__ WD	143
Wood Species & Materials Specification	–	13
Wood Tall End Panel	WTEP__	144

Y

Yates Decorative Foot and Leg	YDF, YDL	166
Yates Furniture Leg	YFL	166

Timberlake Cabinetry®

Value Built® 2-Year Limited Warranty

Timberlake hereby warrants to the original homeowner, for residential applications only, that all cabinets and accessories manufactured and sold by Timberlake are free from defects in material and workmanship for a period of two years from the date: (a) that you purchase your new home, or (b) that you install new Timberlake cabinets or accessories in your remodeled home, as the case may be. This warranty is expressly limited to repair or replacement of the defective part at the discretion of Timberlake, and does not include labor for removal or replacement. This warranty does not extend to defects caused by improper handling, storage, installation, assembly or disassembly, intentional damage, product modifications, exposure to the elements including humidity which may result in warping or splitting, accidental misuse, abuse or negligence. Natural woods may vary in texture, color and wood grain, and exhibit subtle changes as they age. For example, wood joints may eventually have visible cracking around the joint area and cabinet colors may darken or lighten over time. Sunlight, smoke, moisture, household cleaners and other environmental conditions may cause materials to vary from their original color and/or to warp, split or crack. These variations are considered to be the nature of the material in relation to its environmental exposure and are not covered under this warranty.

Additional Limitations and Disclaimers

TIMBERLAKE MAKES NO OTHER WARRANTIES OTHER THAN THOSE SET FORTH HEREIN AND ALL OTHER WARRANTIES ARE HEREBY DISCLAIMED. THE IMPLIED WARRANTIES OF MERCHANTABILITY AND FITNESS FOR A PARTICULAR PURPOSE ARE LIMITED IN DURATION TO THE LENGTH OF THE HOMEOWNER'S WARRANTY PERIOD. THE LIMITED WARRANTIES SET FORTH HEREIN ARE LIMITED TO THE FIRST AND ORIGINAL HOME BUYER, OR CABINET PURCHASER IN REMODELED APPLICATIONS, AS THE CASE MAY BE, AND ARE NOT TRANSFERABLE THEREAFTER. IN NO EVENT SHALL TIMBERLAKE BE LIABLE FOR INCIDENTAL OR CONSEQUENTIAL DAMAGES TO THE HOMEOWNER OR TO ANY THIRD PARTY, INCLUDING, WITHOUT LIMITATION, DAMAGES ARISING FROM PERSONAL INJURY, LOST PROFITS, LOSS OF BUSINESS OPPORTUNITY, LOSS OF PROPERTY, ECONOMIC LOSSES, OR STATUTORY OR EXEMPLARY DAMAGES, WHETHER FROM NEGLIGENCE, WARRANTY, STRICT LIABILITY OR OTHERWISE. Some states do not allow the exclusion or limitation of incidental or consequential damages, or limitations on how long an implied warranty lasts, so the above limitations and exclusions may not apply to you. This warranty gives you specific legal rights, and you may also have other rights, which vary from state to state.

Claims

All claims for defective cabinets and accessories must be submitted to Timberlake in writing and must specify the defects present in the cabinets and accessories. After Timberlake has had an opportunity to inspect the cabinets and accessories, they will, at their discretion, either replace defective cabinets and accessories or repair any defects in the cabinets and accessories. All claims must be submitted to the following address: Timberlake Claims Department, Post Office Box 1980, Winchester, Virginia 22604.

Warranty Information for Commercial Purchasers

To merchants who purchase Timberlake cabinets and accessories for resale in any form, including builders, dealers and distributors, Timberlake extends the following warranty: Timberlake will replace, without charge, any cabinet and accessory that is not saleable because of defects in material or manufactured workmanship discovered within one year from the date of delivery to merchant. Notice of claim under this warranty must be given promptly, in no case later than ninety (90) days after defect becomes known to merchant. THIS WARRANTY IS IN LIEU OF ALL OTHER WARRANTIES, EXPRESS OR IMPLIED. TIMBERLAKE HEREBY DISCLAIMS ALL IMPLIED WARRANTIES, INCLUDING THE WARRANTIES OF MERCHANTABILITY AND FITNESS FOR A PARTICULAR PURPOSE. THE REMEDY OF REPLACEMENT IS THE SOLE AND EXCLUSIVE REMEDY FOR TIMBERLAKE'S OBLIGATIONS ARISING FROM THE SALE OF ITS CABINETS AND ACCESSORIES. IN NO EVENT WILL TIMBERLAKE BE LIABLE FOR INCIDENTAL OR CONSEQUENTIAL LOSS OR DAMAGES, including, without limitation, costs of installation, removal or reinstallation, damage to other property, loss of profits, loss of goodwill, or other economic loss, whether such incidental or consequential loss or damage is claimed on account of breach of warranty, breach of contract, negligence, strict liability in tort, or any other legal theory. CABINETS AND ACCESSORIES SOLD FOR RESALE ARE ALL SUBJECT TO THESE TERMS, AND ALL OFFERS ARE EXPRESSLY CONDITIONED UPON ACCEPTANCE OF THESE TERMS.



TIMBERLAKE[®]

CABINETS | BUILT BY SERVICE

P.O. BOX 1980
WINCHESTER, VIRGINIA 22604
WWW.TIMBERLAKE.COM

©2020 American Woodmark Corporation
09/20 TBL97379 4.5M

